



WFP-75

Model 8411

Wood Fireplace OWNER'S MANUAL

Installation And Operating Instructions

Listed to standards ULC-S610 and UL 127



We recommend that our products be installed and serviced by professionals who are certified in the U.S. by NFI (National Fireplace Institute).

www.nficertified.org

Pictures in this manual are generic and may not be the identified appliance.

Manufactured for: **HearthStone Quality Home Heating Products, Inc.** 317 Stafford Avenue,
Morrisville VT 05661

**PLEASE READ THIS ENTIRE OWNER'S MANUAL BEFORE YOU INSTALL AND USE YOUR
NEW WFP-75 FIREPLACE.**

SAVE THIS OWNER'S MANUAL FOR FUTURE REFERENCE

CAUTION: Do not attempt to modify or alter the construction of the fireplace or its components. Any modification or alteration of construction may void the warranty, listings and approvals of this system. In that case, HearthStone Quality Home Heating Products, Inc. will not be responsible for damages. Install the fireplace only as described in these instructions.

This manual is available for free download on the manufacturer's web site. It is a copyrighted document. Re-sale is strictly prohibited. The manufacturer may update this manual from time to time and cannot be responsible for problems, injuries, or damages arising out of the use of information contained in any manual obtained from unauthorized sources.

California Prop 65

⚠ WARNING: This product can expose you to chemicals including glass wool fiber and carbon monoxide which are known to the State of California to cause cancer, birth defects or other reproductive harm. For more information go to www.P65Warnings.ca.gov

46135
WFP-75 Model 8411
Manual: 6400-41420 R:
30/04/2021

Notes on Fireplace Operation and Efficiency

Rating:

You have purchased a HearthStone WFP-75 tested and certified in compliance with CFR 40 part 60, subpart AAA, section 60.534(a)(1)(ii) and ASTM E3053-17. This fireplace is certified to comply with the U.S. Environmental Protection Agency 2020 particulate emissions standard using cord wood. It is certified at 1.14 g/hr emission rate and under specific test conditions has been shown to deliver heat at rates ranging from 14,200 to 48,200 BTU/hr (output).

This wood heater has a manufacturer-set minimum allowable low burn rate that must not be altered. It is against federal regulations to alter this setting or otherwise operate this wood heater in a manner inconsistent with operating instructions in this manual.

Please refer to the Warranty section of this manual for registration instructions. In case of warranty claims, please contact the point of original sale or the nearest authorized HearthStone dealer. All warranty claims are processed by our dealer network. Authorized HearthStone dealers can be located at www.HearthStonestoves.com.

This heater is designed to burn natural wood only. Higher efficiencies and lower emissions generally result when burning air dried seasoned hardwoods, as compared to softwoods or to green or freshly cut hardwoods. **DO NOT BURN:** *Garbage, lawn clippings, material containing rubber (including tires), materials containing plastic, waste petroleum products, paints or paint thinners, asphalt products, materials containing asbestos, construction or demolition debris, railroad ties, pressure treated wood, manure or animal remains, salt water driftwood or other previously salt water saturated materials, unseasoned wood, paper products, cardboard, plywood or particleboard.* This prohibition against burning these materials does not prohibit the use of fire starters made from paper, cardboard, saw dust, wax and similar substances for the purpose of starting a fire in an affected wood heater. Burning these materials may result in a release toxic fumes or render the heater ineffective and cause smoke.

Following the maintenance guidelines set forth in this manual will help insure the efficient use of your wood heater and minimize visible emissions. Having your fireplace inspected by a trained professional on a regular basis will greatly increase the potential for recognizing potential impacts to efficiency.

Proper draft is important to the efficient operation of your heater. Refer to the Normal Operation section of this manual for information regarding adequate draft. Both excessive and sub-minimum draft can affect the efficiency of your wood heater. Excessive draft can lead to over-consumption of fuel, lower overall heating capacity of the fireplace and potential over firing. Low draft can result in inefficient burns, low heat output, expulsion of smoke into the living area when fireplace doors are opened and an increased potential for build-up of flammable materials in the flue.

Efficiency:

Efficiency was captured using CSA B415-10 methodology. A weighted average was used to calculate the overall efficiency across all of the 3 burn rate categories using the higher heating value (HHV). The weighted average efficiency for the WFP-75 8411 is 68% (HHV).

To maximize the efficiency of your wood fireplace make sure it is sized properly for the space you plan to heat. An oversized fireplace will often be forced to burn at a lower and dirtier burn rate. Consult with your dealer for sizing and correctly placing the fireplace in your home. An incorrectly placed fireplace can greatly reduce efficiency. Maximizing the efficiency of your fireplace will heat your house quickly, burn cleaner and use less wood.

Refer to the Choosing Firewood section of this manual for appropriate fuel selection. Seasoned firewood is typically at or near 20% moisture content. This can be measured with any number of hand-held moisture meters available through your local hearth shop. Follow instructions included in the meter you purchase to measure fuel wood moisture content. Burn only dry, seasoned wood as using wet wood will greatly reduce your efficiency.

CO Emissions:

The WFP-75 has an average CO emission rate of 53 g/h. Wet wood or unapproved fuel described above can greatly affect the emissions of a wood burning fireplace.

Smoke/Fire/CO Detectors:

It is highly recommended that smoke and CO detectors be installed throughout the heated space when a wood burning heater is installed. Be certain to install these devices not only in the area where the wood appliance is located, but also in bedrooms, hallways leading to other areas of the house and all common areas of the heated space. Check the batteries in these devices and assure operation by performing whatever test operations are recommended by the manufacturer.

TABLE OF CONTENTS

PART A - OPERATION AND MAINTENANCE	6
1. Safety Information	6
1.1 Summary of Operation and Maintenance Cautions and Warnings	6
2 GENERAL INFORMATION	8
2.1 APPLIANCE PERFORMANCE ⁽¹⁾	8
2.2 GENERAL FEATURES	8
2.3 DIMENSIONS	9
2.4 EPA CERTIFICATION LOADING	
2.4.1 AIR CONTROL	11
2.4.2 HIGH BURN RATE (PRIMARY AIR CONTROL OPEN)	11
2.4.3 MEDIUM AND LOW BURN RATE	11
2.5 ZONE HEATING AND HOW TO MAKE IT WORK FOR YOU	12
2.6 THE BENEFITS OF LOW EMISSIONS AND HIGH EFFICIENCY	12
2.7 THE HEARTHSTONE COMMITMENT TO YOU AND THE ENVIRONMENT	12
2.7.1 WHAT IS YOUR NEW FIREPLACE MADE OF?	12
3 Fuel	13
3.1 HOW TO PREPARE OR BUY GOOD FIREWOOD	13
3.1.1 WHAT IS GOOD FIREWOOD?	13
3.1.2 TREE SPECIES	13
3.1.3 LOG LENGTH	14
3.1.4 PIECE SIZE	14
3.1.5 HOW TO DRY FIREWOOD	14
3.1.6 JUDGING FIREWOOD MOISTURE CONTENT	14
3.2 MANUFACTURED LOGS	15
4 Operating Your Fireplace	15
4.1 YOUR FIRST FIRES	15
4.2 LIGHTING FIRES	15
4.2.1 BEST PRACTICE: THE TOP DOWN FIRE	15
4.2.2 CONVENTIONAL FIRE STARTING	16
4.2.3 TWO PARALLEL LOGS	16
4.2.4 USING FIRE STARTERS	16
4.3 MAINTAINING WOOD FIRES	16
4.3.1 GENERAL ADVICE	16
4.3.2 USING A FIRE SCREEN	17
4.3.3 BLOWER OPERATION	17
4.3.4 ASH REMOVAL	18
4.3.5 RAKING CHARCOAL	18
4.3.6 FIRING EACH NEW LOAD HOT	18
4.3.7 SHUTTING DOWN THE AIR SUPPLY	18

4.3.8	BUILDING DIFFERENT FIRES FOR DIFFERENT NEEDS.....	19
5	Maintaining Your Wood Heating System	20
5.1	FIREPLACE MAINTENANCE	20
5.1.1	PLATED FINISH MAINTENANCE	20
5.1.2	GLASS DOOR CLEANING	21
5.1.3	DOOR ADJUSTMENT	21
5.1.4	DOOR ALIGNMENT.....	22
5.1.5	REPLACING THE DOOR GASKETS	23
5.1.6	REPLACING THE DOOR GLASS	24
5.1.7	CLEANING AND PAINTING THE FIREPLACE	24
5.2	CHIMNEY AND CHIMNEY LINER MAINTENANCE.....	25
5.2.1	WHY CHIMNEY CLEANING IS NECESSARY	25
5.2.2	HOW OFTEN SHOULD YOU CLEAN THE CHIMNEY?	25
5.2.3	CLEANING THE CHIMNEY	25
5.2.4	FIRE BAFFLE REMOVAL PRIOR TO CLEANING THE CHIMNEY.....	26
5.2.5	CHIMNEY FIRE	26
	PART B – INSTALLATION.....	26
6	Safety Information.....	27
6.1	SUMMARY OF INSTALLATION CAUTIONS AND WARNINGS.....	27
6.2	REGULATIONS COVERING FIREPLACE INSTALLATION	27
6.3	FIREPLACE INSTALLATION	28
6.3.1	STANDOFF INSTALLATION.....	28
6.3.2	TRANSPORTATION PACKAGING	28
6.3.3	LOCATING THE WFP-75.....	29
6.3.4	CLEARANCES TO COMBUSTIBLE MATERIALS.....	29
6.3.5	HEARTH EXTENSION CONSTRUCTION OPTIONS.....	30
6.3.6	MINIMUM HEARTH EXTENSION REQUIREMENTS.....	34
6.3.7	FRAMING CONSTRUCTION	35
6.3.8	FACING	40
6.3.9	INSTALLATION OF A COMBUSTIBLE SHELF	41
6.3.10	HEAT SHIELD FOR COMBUSTIBLE SHELF.....	41
6.3.11	INSTALLATION OF A NONCOMBUSTIBLE SHELF	41
7	The Venting System.....	42
7.1	GENERAL	42
7.2	SUITABLE CHIMNEYS	42
7.3	THE RELATIONSHIP BETWEEN THE CHIMNEY AND THE HOUSE	42
7.3.1	WHY THE CHIMNEY SHOULD PENETRATE THE HIGHEST HEATED SPACE.....	42
7.4	CHIMNEY INSTALLATION NOTES	42
7.5	CHIMNEY INSTALLATION INSTRUCTIONS	45
7.5.1	EXAMPLES OF TYPICAL CHIMNEY INSTALLATION	45
7.5.2	INSTALLATION INSTRUCTIONS	46
7.5.3	OFFSET CHIMNEY INSTALLATION.....	47

7.5.4	INSTALLATION INSTRUCTIONS FOR MASONRY APPLICATION.....	48
7.5.5	INSTALLATION INSTRUCTIONS	48
7.6	ANGLED WALL RADIATION SHIELD.....	49
7.7	CHIMNEY SUPPORT INSTALLATION	49
7.7.5	UNIVERSAL ROOF SUPPORT.....	49
7.7.6	UNIVERSAL OFFSET SUPPORT.....	49
7.8	SUPPLY OF COMBUSTION AIR	51
APPENDIX 1: REMOVAL AND INSTALLATION OF THE FACADE		52
APPENDIX 2: REMOVAL AND INSTALLATION OF THE DOOR		53
APPENDIX 3: INSTALLING THE FRESH AIR INTAKE KIT		54
APPENDIX 4: OPTIONAL TRADITIONAL GRAVITY HOT AIR DISTRIBUTION KIT INSTALLATION.....		57
APPENDIX 5: OPTIONAL MODERN GRAVITY HOT AIR DISTRIBUTION KIT INSTALLATION		60
APPENDIX 6: OPTIONAL FORCED AIR DISTRIBUTION KIT INSTALLATION		64
APPENDIX 7: OPTIONAL FIRE SCREEN INSTALLATION		65
APPENDIX 8: REFRACTORY PANELS REPLACEMENT.....		66
APPENDIX 9: SECONDARY AIR TUBES AND BAFFLE INSTALLATION		67
APPENDIX 10: BLOWER REPLACEMENT.....		68
APPENDIX 11 - PARTS LIST		70
SAFETY RATING LABEL.....		71
HEARTHSTONE LIMITED LIFETIME WARRANTY		72

PART A - OPERATION AND MAINTENANCE

1. SAFETY INFORMATION

1.1 SUMMARY OF OPERATION AND MAINTENANCE CAUTIONS AND WARNINGS

This wood heater needs periodic inspection and repairs for the proper operation. It is against federal regulations to operate this wood heater in a manner inconsistent with operating instructions in this manual.

CAUTION - OPERATION

- USING A FIREPLACE WITH CRACKED OR BROKEN COMPONENTS, SUCH AS GLASS OR FIREBRICKS OR BAFFLES MAY PRODUCE AN UNSAFE CONDITION AND MAY DAMAGE THE FIREPLACE.
- OPERATE ONLY WITH DOOR FULLY CLOSED. IF DOOR IS LEFT PARTLY OPEN, GAS AND FLAME MAY BE DRAWN OUT OF THE OPENING, CREATING RISKS FROM BOTH FIRE AND SMOKE.
- OPEN THE AIR CONTROL FULLY BEFORE OPENING THE LOADING DOOR. NEVER USE GASOLINE, LANTERN FUEL (NAPHTHA), FUEL OIL, MOTOR OIL, KEROSENE, CHARCOAL LIGHTER FLUID, OR SIMILAR LIQUIDS OR AEROSOLS TO START A FIRE IN THIS FIREPLACE. KEEP ALL SUCH LIQUIDS OR AEROSOLS WELL AWAY FROM THE FIREPLACE WHILE IT IS IN USE.
- HOT WHILE IN OPERATION, KEEP CHILDREN, CLOTHING AND FURNITURE AWAY. CONTACT MAY CAUSE SKIN BURNS. GLOVES MAY BE NEEDED FOR FIREPLACE OPERATION.
- DO NOT STORE FUEL WITHIN HEATER MINIMUM INSTALLATION CLEARANCES.
- BURN ONLY SEASONED NATURAL FIREWOOD.
- DO NOT BURN SCRAP OR GARBAGE, TREATED WOOD OR WOOD SUCH AS DRIFTWOOD FROM THE OCEAN WHICH HAS BEEN EXPOSED TO SALT OR OTHER CHEMICALS. SALT OR CHEMICALS CAN CORRODE THE FIREBOX AND CHIMNEY. DO NOT BURN LARGE AMOUNTS OF PAPER, CARDBOARD, TREE BRANCHES OR BUILDING CONSTRUCTION MATERIALS. INTENSE FIRING WITH THESE MATERIALS MAY OVERHEAT THE FIREPLACE, CAUSING DAMAGE TO THE UNIT, A HOME FIRE OR EVEN POSSIBLY IGNITING A CHIMNEY FIRE IF THE CHIMNEY IS CREOSOTED.
- THIS APPLIANCE SHOULD BE MAINTAINED AND OPERATED AT ALL TIMES IN ACCORDANCE WITH THESE INSTRUCTIONS.
- DO NOT ELEVATE THE FIRE BY MEANS OF GRATES, ANDIRONS OR OTHER MEANS.
- DO NOT OBSTRUCT AIR INTLETS. THIS FIREPLACE NEEDS AIR FOR ITS GOOD OPERATION.
- DO NOT BLOCK THE HOT AIR VENTS TO THE FIREPLACE AS THIS WILL CAUSE THE FIREPLACE TO OVERHEAT.

CAUTION - INSTALLATION

- **DO NOT INSTALL THE FIREPLACE OUTDOORS.**
- **THE FIREPLACE AND CHIMNEY MUST BE IN AN ENCLOSURE UP TO THE ATTIC. SOME JURISDICTIONS IN THE USA REQUIRE A SUPPLY OF OUTDOOR COMBUSTION AIR FOR THE FIREPLACE. IN CANADA, AN OUTDOOR AIR SUPPLY IS NOT REQUIRED, IF A CARBON MONOXIDE (CO) DETECTOR/ALARM IS LOCATED IN THE ROOM IN WHICH THE FIREPLACE IS INSTALLED. THE CO DETECTOR WILL PROVIDE WARNING IF FOR ANY REASON THE WOOD FIREPLACE FAILS TO FUNCTION CORRECTLY. IF YOU ARE REQUIRED TO INSTALL AN OUTDOOR AIR SUPPLY, WE RECOMMEND THAT YOU ALSO INSTALL A CO DETECTOR/ALARM TO PROVIDE WARNING IF SMOKE SPILLAGE FROM THE FIREPLACE OCCURS.**
- **KEEP COMBUSTIBLE MATERIALS AT LEAST 48 INCHES AWAY FROM THE FRONT OF THE FIREPLACE OPENING.**
- **DO NOT USE A FIREPLACE INSERT AND OTHER PRODUCTS NOT SPECIFIED FOR USE WITH THIS FIREPLACE.**
- **DO NOT INSTALL IN A MOBILE HOME (CANADA) OR MANUFACTURED HOME (USA).**

WARNING

- **DO NOT USE MATERIALS OTHER THAN THOSE LISTED IN THE REPLACEMENT PARTS SECTION DURING INSTALLATION AS THEY MAY BE SAFETY HAZARDS AND A FIRE COULD RESULT.**
- **THIS FIREPLACE HAS NOT BEEN TESTED WITH AN UNVENTED OR VENTED GAS LOG SET. TO REDUCE RISK OF FIRE OR INJURY, DO NOT INSTALL AN UNVENTED GAS LOG SET INTO THIS FIREPLACE.**

PLEASE NOTE THAT THE PICTURES SHOWN IN THIS MANUAL ARE GENERIC AND MAY NOT MATCH EXACTLY THE LOOK OF YOUR FIREPLACE.

2 GENERAL INFORMATION

APPLIANCE PERFORMANCE⁽¹⁾

Fuel type	Dry cordwood	
Recommended heating area ⁽¹⁾	750 to 2,200 ft ² (46 to 186 m ²)	
Overall Firebox Volume	2.5 ft ³ (0.071 m ³)	
EPA Loading Volume	1.69 ft ³ (0.048 m ³)	
Maximum burn time ⁽¹⁾	9 h	
Maximum heat output ⁽²⁾ (dry cordwood)	80,000 BTU/h	
Overall heat output rate (min. to max.) ⁽²⁾⁽³⁾	14,200 BTU/h to 48,200 BTU/h (4.16 kW to 14.13 kW)	
Average overall efficiency ⁽³⁾ - Dry cordwood	68% (HHV ⁽⁴⁾)	73% (LHV ⁽⁵⁾)
Optimum efficiency ⁽²⁾⁽⁶⁾	74%	
Average particulate emissions rate ⁽⁷⁾	1.14 g/h (EPA / CSA B415.1-10) ⁽⁸⁾	
Average CO ⁽⁹⁾	53 g/h	

⁽¹⁾ Recommended heating area and maximum burn time may vary subject to location in home, chimney draft, heat loss factors, climate, fuel type and other variables. The recommended heated area for a given appliance is defined by the manufacturer as its capacity to maintain a minimum acceptable temperature in the designated area in case of a power failure.

⁽¹⁾ Values are as measured per test method, except for the recommended heating area, firebox volume, maximum burn time and maximum heat output.

⁽²⁾ The maximum heat output (dry cordwood) is based on a loading density varying between 15 lb/ft³ and 20 lb/ft³. Other performances are based on a fuel load prescribed by the standard. The specified loading density varies between 7 lb/ft³ and 12 lb/ft³. The moisture content is between 19% and 25%.

⁽³⁾ As measured per CSA B415.1-10 stack loss method.

⁽⁴⁾ Higher Heating Value of the fuel.

⁽⁵⁾ Lower Heating Value of the fuel.

⁽⁶⁾ Optimum overall efficiency at a specific burn rate (LHV).

⁽⁷⁾ This appliance is officially tested and certified by an independent agency.

⁽⁸⁾ Tested and certified in compliance with CFR 40 part 60, subpart AAA, section 60.534(a)(1)(ii) and ASTM E3053-17.

⁽⁹⁾ Carbon monoxide.

GENERAL FEATURES

Maximum log length ⁽¹³⁾	20 in (508 mm) east-west ⁽¹⁰⁾
Flue outlet diameter	6 in (150 mm)
Chimney diameter	6 in (150 mm)
Type of chimney	CAN/ULC S629, UL 103 HT (2100 °F)
Baffle material	C-Cast
Approved for alcove installation	Not approved
Approved for mobile home installation ⁽¹¹⁾	Not approved
Weight (including refractory panels, faceplate, and packaging)	575lb (261kg)
Type of door	Single, glass with cast iron frame
Type of glass	Ceramic glass
Blower	Included (up to 176 CFM)
Particulate emission standard	EPA / CSA B415.1-10 ⁽¹²⁾
USA standard (safety)	UL 127
Canadian standard (safety)	ULC-S610

⁽¹⁰⁾ East-west: through the door you see the longitudinal sides of the logs; north-south: through the door you see the tips of the logs.

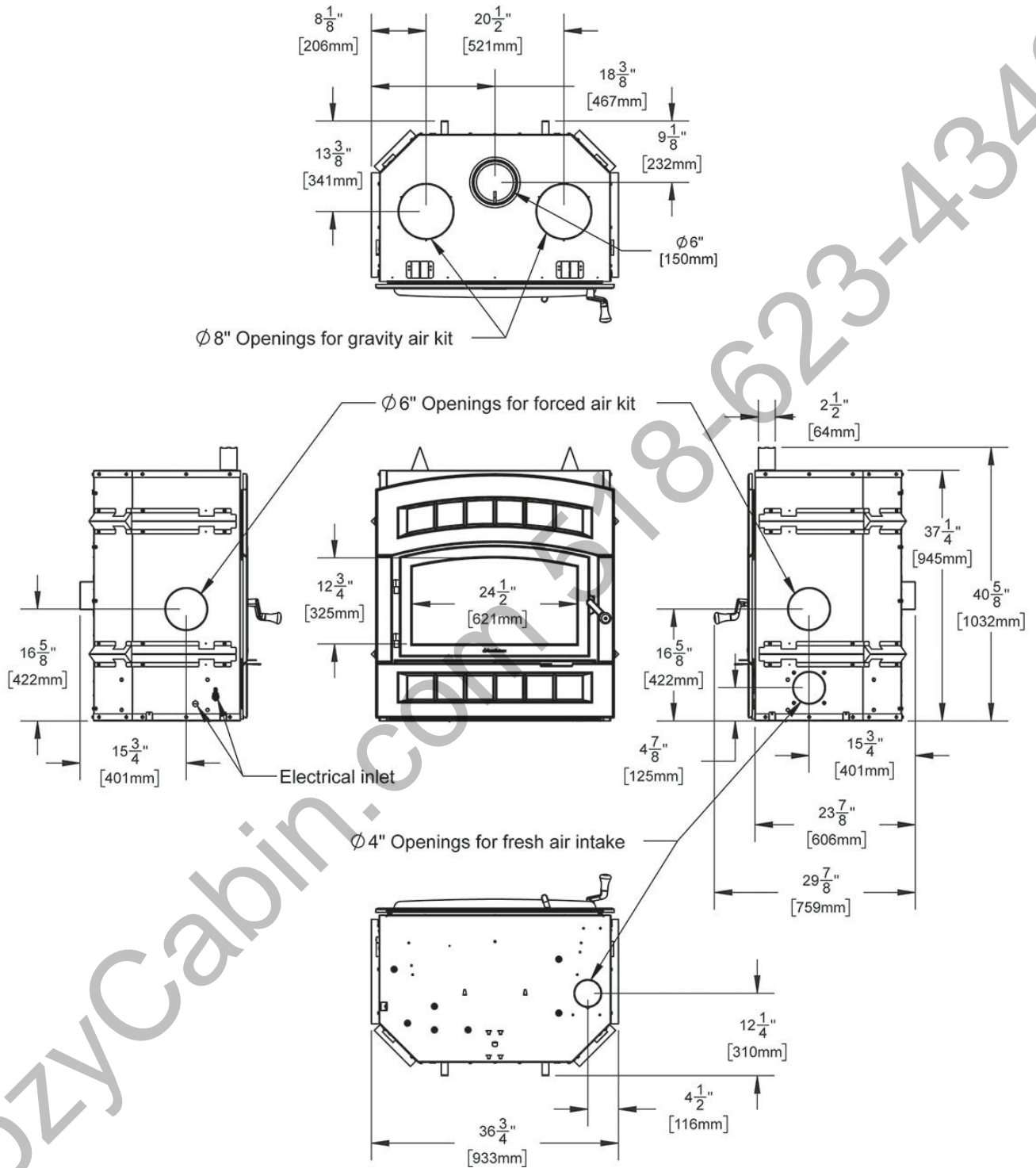
⁽¹¹⁾ Mobile home (Canada) or manufactured home (USA): The US department of Housing and Urban Development describes "manufactured homes" better known as "mobile homes" as followed; buildings built on fixed wheels and those transported on temporary wheels/axles and set on a permanent foundation. In Canada, a mobile home is a dwelling for which the manufacture and assembly of each component is completed or substantially completed prior to being moved to a site for installation on a foundation and connection to service facilities and which conforms to the CAN/CSA-Z240 MH standard.

⁽¹²⁾ Tested and certified in compliance with CFR 40 part 60, subpart AAA, section 60.534(a)(1)(ii) and ASTM E3053-17.

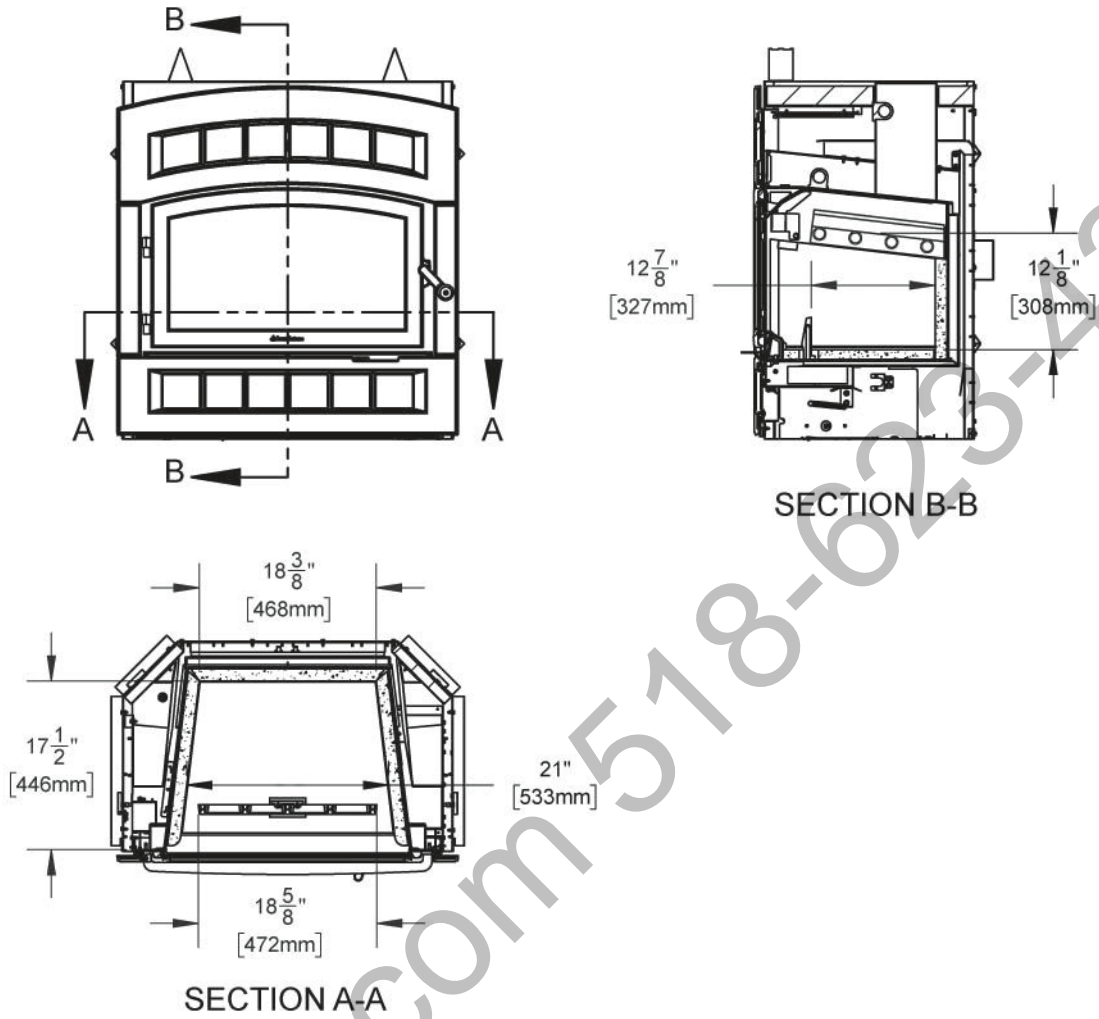
⁽¹³⁾ The recommended log length is 16 inches, placed in the north-south orientation. For more details see section 3 - Fuel.

2.3 DIMENSIONS

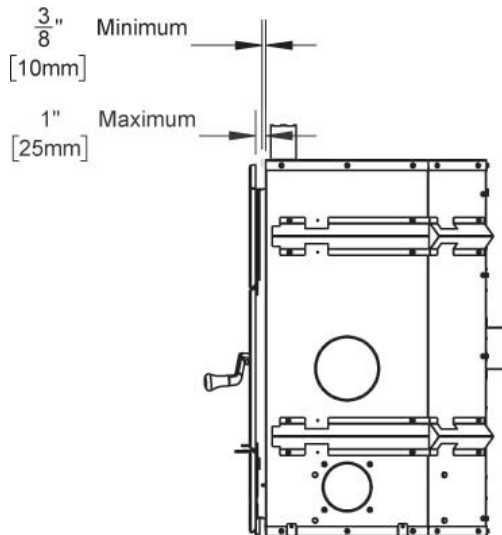
General Dimensions



Internal Dimensions



Faceplate Projection

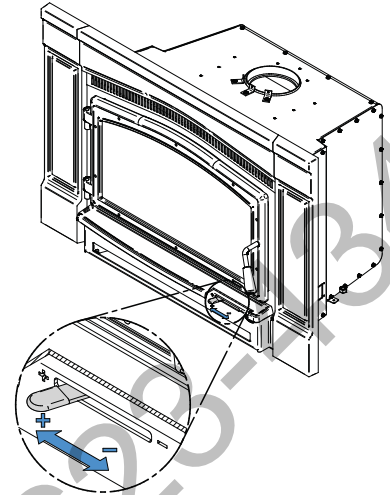


2.4 EPA Certification Loading

The loading methods shown below are those used during emissions certification.

2.4.1 Air control

The air control is located below the ash shelf on the right. To open the air control, push the air control handle completely to the left (High). This will increase the burn rate. To close the air control, push the air control handle completely to the right (Low). This will decrease the burn rate.



2.4.2 High burn rate (primary air control open)

Open the air control completely. Criss cross 6 small pieces (2"x2") of wood into the firebox in 2 layers (3 at the bottom, 3 on top). Criss cross 10 to 12 finely split kindling wood pieces over the small pieces of wood. Tie knot with five sheets of paper and place them on top of the kindling wood.

Light up the paper and let the door completely open until the 2 top layers are burning. Close the door. When the kindling and the small pieces of wood are almost completely burnt out and it is possible to break them into small pieces, level the coal bed and put 5 logs in the firebox. Place 2 small pieces (about 3" x 3") in the bottom in a reverse V shape, then put a big piece (about 5"x5") in an East-West orientation in the back (over the reverse V). Put 2 medium size pieces (about 4"x4") in the front, one over the other. Try to leave air space between the pieces. Let the door open at 90° for 3 minutes or when the fire is fully established and close the door. Leave the air control fully opened.

2.4.3 Medium and low burn rate

On a 2" coal bed that is dark red, add 6 pieces of wood in the firebox. Place 2 small pieces (about 2.5" x 2.5") in the bottom in a reverse V shape, then put 2 medium size pieces (about 4"x4") in an East-West orientation in the back (over the reverse V), one over the other. Put a big piece (about 5"x5") in an East-West orientation in the front (over the reverse V) and put a last medium size piece (about 4"x4") over the big one. Try to leave air space between the pieces. Let the door open at 90° for 3 minutes 30 seconds or when the fire is fully established and close the door. Leave the primary air control open for approximately 5 minutes and then close the primary air control halfway. After another 5 minutes, close the air control completely for the low burn rate and ¼" open for the medium burn rate.

2.5 ZONE HEATING AND HOW TO MAKE IT WORK FOR YOU

Your new WFP-75 wood fireplace is a space heater, which means it is intended to heat the area it is installed in as well as spaces that connect to that area, although to a lower temperature. This is called zone heating and it is an increasingly popular way to heat homes or spaces within homes.

Zone heating can be used to supplement another heating system by heating a particular space within a home, such as a basement family room or an addition that lacks another heat source.

Houses of moderate size and relatively new construction can be heated with a properly sized and located wood fireplace. Whole house zone heating works best when the fireplace is located in the part of the house where the family spends most of its time. This is normally the main living area where the kitchen, dining and living rooms are located. By locating the fireplace in this area, you will get the maximum benefit of the heat it produces and will achieve the highest possible heating efficiency and comfort. The space where you spend most of your time will be warmest, while bedrooms and basement (if there is one) will stay cooler. In this way, you will burn less wood than with other forms of heating.

Although the fireplace may be able to heat the main living areas of your house to an adequate temperature, we strongly recommend that you also have a conventional oil, gas or electric heating system to provide backup heating.

Your success with zone heating will depend on several factors, including the correct sizing and location of the fireplace, the size, layout and age of your home and your climate zone. Three-season vacation homes can usually be heated with smaller fireplaces than houses that are heated all winter.

2.6 THE BENEFITS OF LOW EMISSIONS AND HIGH EFFICIENCY

The low smoke emissions produced by the special features inside the WFP-75 firebox mean that your household will release up to 90 percent less smoke into the outside environment than if you used an older conventional stove. But there is more to the emission control technologies than protecting the environment.

The smoke released from wood when it is heated contains about half of the energy content of the fuel. By burning the wood completely, your fireplace releases all the heat energy from the wood instead of wasting it as smoke up the chimney. Also, the features inside the firebox allow you to reduce the air supply to control heat output, while maintaining clean and efficient flaming combustion, which boosts the efficient delivery of heat to your home.

The emission control and advanced combustion features of your fireplace can only work properly if your fuel is in the correct moisture content range of 15% to 20%. See **Section 3: Fuel** of this manual for suggestions on preparing fuel wood and judging its moisture.

2.7 THE HEARTHSTONE COMMITMENT TO YOU AND THE ENVIRONMENT

The HEARTHSTONE team is committed to protecting the environment, so we do everything we can to use only materials in our products that will have no lasting negative impact on the environment.

2.7.1 WHAT IS YOUR NEW FIREPLACE MADE OF?

The body of your fireplace, which is most of its weight, is carbon steel. Should it ever become necessary many years in the future, almost the entire fireplace can be recycled into new products, thus eliminating the need to mine new materials.

The paint coating on your fireplace is very thin. Its VOC content (Volatile Organic Compounds) is very low. VOCs can be responsible for smog, so all the paint used during the manufacturing process meets the latest air quality requirements regarding VOC reduction or elimination.

The air tubes are stainless steel, which can also be recycled.

The C-Cast baffle is made of an aluminosilicate fibre material that is compressed with a binder to form a rigid board. C-Cast can withstand temperatures above 2,000 °F. It is not considered hazardous waste. Disposal at a landfill is recommended.

Moulded refractory bricks are mainly composed of silicon dioxide, also known as silica, a product processed from a mined mineral. It is most commonly found in nature in the form of sand and clay. Disposal at a landfill is recommended. The steel mesh contained in some refractory bricks can be recycled.

The door and glass gaskets are fibreglass which is spun from melted sand. Black gaskets have been dipped into a solvent-free solution. Disposal at a landfill is recommended.

The door glass is a 5 mm thick ceramic material that contains no toxic chemicals. It is made of natural raw materials such as sand and quartz that are combined in such a way to form a high temperature glass. Ceramic glass cannot be recycled in the same way as normal glass, so it should not be disposed of with your regular household products. Disposal at a landfill is recommended.

3 FUEL

CAUTION

- **DO NOT BURN SCRAP OR GARBAGE, TREATED WOOD OR WOOD SUCH AS DRIFTWOOD FROM THE OCEAN WHICH HAS BEEN EXPOSED TO SALT OR OTHER CHEMICALS. SALT OR CHEMICALS CAN CORRODE THE FIREBOX AND CHIMNEY. DO NOT BURN LARGE AMOUNTS OF PAPER, CARDBOARD, TREE BRANCHES OR BUILDING CONSTRUCTION MATERIALS. INTENSE FIRING WITH THESE MATERIALS MAY OVERHEAT THE FIREPLACE, CAUSING DAMAGE TO THE UNIT, A HOME FIRE OR EVEN POSSIBLY IGNITING A CHIMNEY FIRE IF THE CHIMNEY IS CREOSOTED.**
- **DO NOT OVER FIRE THIS HEATER OVER FIRING CAN RESULT IN A SAFETY HAZARD AND CAN PERMANENTLY DAMAGE THE FIREPLACE AND CHIMNEY.**

3.1 HOW TO PREPARE OR BUY GOOD FIREWOOD

3.1.1 WHAT IS GOOD FIREWOOD?

Good firewood has been cut to the correct length for the fireplace, split to a range of sizes and stacked in the open until its moisture content is reduced to 15% to 20%.

3.1.2 TREE SPECIES

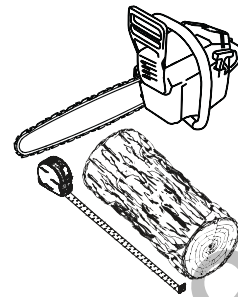
The tree species the firewood is produced from is less important than its moisture content. The main difference in firewood from various tree species is the density of the wood. Hardwoods are denser than softwoods. People who live in the coldest regions of North America usually have only spruce, birch and poplar, other low-density species to burn and yet they can heat their homes successfully.

Homeowners with access to both hardwood and softwood fuel sometimes use both types for different purposes. For example, softer woods make good fuel for relatively mild weather in spring and fall because they light quickly and produce less heat. Softwoods are not as dense as hardwoods so a given volume of wood contains less energy. Using softwoods avoids overheating the house, which can be a common problem with wood heating in moderate weather. Harder woods are best for colder winter weather when more heat and longer burn cycles are desirable.

Note that hardwood trees like oak, maple, ash and beech are slower growing and longer lived than softer woods like poplar and birch. That makes hardwood trees more valuable. The advice that only hardwoods are good to burn is outdated. Old, leaky cast iron stoves wouldn't hold a fire overnight unless they were fed large pieces of hardwood. That is no longer true. You can successfully heat your home by using the less desirable tree species and give the forest a break at the same time.

3.1.3 LOG LENGTH

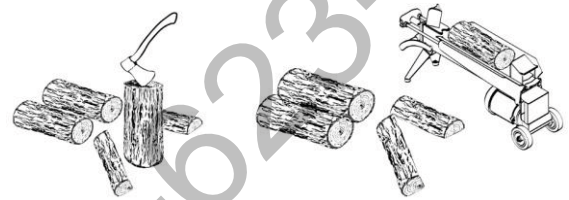
Logs should be cut at least 1" (25 mm) shorter than the firebox so they fit in easily. Pieces that are even slightly too long make loading the fireplace very difficult. The most common standard length of firewood is 16" (406mm). The WFP-75 will fit up to 20" wood. The pieces should be a consistent length, with a maximum of 1" (25 mm) variation from piece to piece.



3.1.4 PIECE SIZE

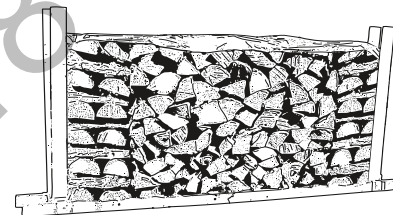
Firewood dries more quickly when it is split. Large unsplit rounds can take years to dry enough to burn. Even when dried, unsplit logs are difficult to ignite because they don't have the sharp edges where the flames first catch. Logs as small as 3" (75 mm) should be split to encourage drying.

Wood should be split to a range of sizes, from about 3" to 6" (75 mm to 150 mm) in cross section. Having a range of sizes makes starting and rekindling fires much easier. Often, the firewood purchased from commercial suppliers is not split finely enough for convenient stoking. It is sometimes advisable to resplit the wood before stacking to dry.



3.1.5 HOW TO DRY FIREWOOD

Firewood that is not dry enough to burn is the cause of most complaints about wood fireplaces. Continually burning green or unseasoned wood produces more creosote and involves lack of heat and dirty glass door. See **Section 5: Maintaining your wood heating system** for concerns about creosote.



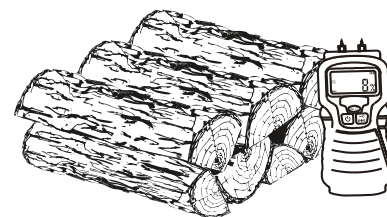
Here are some things to consider in estimating drying time:

- Firewood takes a long time to dry.
- Small pieces dry more quickly than large pieces.
- Split pieces dry more quickly than unsplit rounds.
- Softwoods take less time to dry than hardwoods.
- Softwoods like pine, spruce, and poplar/aspens can be dry enough to burn after being stacked in the open for only the summer months.
- Hardwoods like oak, maple and ash can take one, or even two years to dry fully, especially if the pieces are big.
- Firewood that is ready to burn has a moisture content between 15% and 20% by weight and will allow your fireplace to produce its highest possible efficiency.
- Firewood bought from a dealer is rarely dry enough to burn, so it is advisable to buy the wood in spring and dry it yourself.
- Drying happens faster in dry weather than in damp, maritime climates.
- Drying happens faster in warm summer weather than in winter weather.
- Firewood dries more quickly when stacked in the open where it is exposed to sun and wind; it takes much longer to dry when stacked in a wood shed.

3.1.6 JUDGING FIREWOOD MOISTURE CONTENT

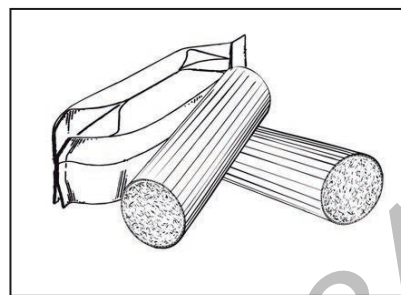
You can find out if some firewood is dry enough to burn by using these guidelines:

- Cracks form at the ends of logs as they dry
- As it dries in the sun, the wood turns from white or cream colored to grey or yellow
- Bang two pieces of wood together; seasoned wood sounds hollow and wet wood sounds dull
- Dry wood is much lighter in weight than wet wood
- Split a piece, and if the fresh face feels warm and dry it is dry enough to burn; if it feels damp, it is too wet
- Burn a piece; wet wood hisses and sizzles in the fire and dry wood does not
- You could buy a wood moisture meter to test your firewood.



3.2 MANUFACTURED LOGS

Manufactured logs made of 100% wood residues can be burn in your fireplace. However, they must be used carefully. Therefore, you cannot place a large quantity of such logs into your fireplace. Manufactured logs typically release a much larger heat output over a short period of time. Start with one log and see how the fireplace reacts. You can increase the number of logs burned at a time to a maximum of three. Burning more than three manufactured logs at one time can overheat and damage your stove.



CAUTION

- **DO NOT BURN ANY MANUFACTURED LOGS CONTAINING CHEMICAL ADDITIVES. YOU MAY OVERHEAT YOUR FIREPLACE, THEREFORE CAUSING A FIRE HAZARD AND VOIDING YOUR WARRANTY.**
- **DO NOT POKE OR STIR THE LOGS WHILE THEY ARE BURNING.**
- **USE ONLY FIRELOGS THAT HAVE BEEN TESTED FOR USE IN FIREPLACES (SEE ULC/ORD-C127, COMPOSITE FIRELOGS) AND PRIOR TO USE, REFER TO FIRELOG WARNINGS AND CAUTIONS MARKINGS ON PACKAGING.**

4 OPERATING YOUR FIREPLACE

4.1 YOUR FIRST FIRES

Two things will happen as you burn your first few fires: the paint cures and the internal components of the fireplace are conditioned.

As the paint cures, some of the chemicals vaporize. The vapors are not poisonous, but they do smell bad. Fresh paint fumes can also cause false alarms in smoke detectors. So, when you first light your fireplace, be prepared by opening doors and/or windows to ventilate the house. As you burn hotter and hotter fires, more of the painted surfaces reach the curing temperature of the paint. The smell of curing paint does not disappear until you have burned one or two very hot fires.

Burn one or two small fires to begin the curing and conditioning process. Then build bigger and hotter fires until there is no longer any paint smell from the fireplace. Once the paint smell disappears, your fireplace is ready for serious heating.

NOTE: Before lighting your first fire, install the wooden door knob to the handle using the shoulder screw provided. Tighten the screw using the 5/32 hex wrench, also included.

4.2 LIGHTING FIRES

Each person who heats with wood develops their own favorite way to light fires. Whatever method you choose, your goal should be to get a hot fire burning quickly. A fire that starts fast produces less smoke and deposits less creosote in the chimney. Here are three popular and effective ways to start wood fires.

4.2.1 BEST PRACTICE: THE TOP DOWN FIRE

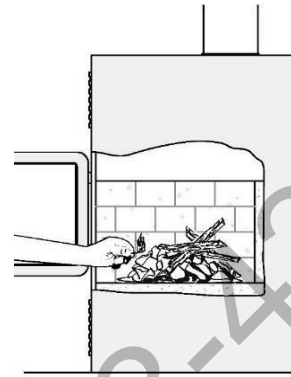
The top down fire starting method solves two problems with the conventional method: first, it does not collapse and smother itself as it burns; and second, it's cleaner. The top down method only works properly if the wood is well-seasoned.

Start by crisscrossing around 10 finely split and dry kindling (0.5 to 1 in) leaving air space between the pieces. Then put at least 5 newspaper sheets to the top of the pieces. The best way to have your ignition clean and environmentally friendly is to roll the newspapers to make a long cylinder, then to make 2 knots with it. The goal is to have the newspapers as compact as possible to make it burn slowly. After the ignition of the newspaper, let the door open of 1 inch for 5-10 minutes. The air control should be open.

When you have a small coal bed, it's the time to crisscross three or four medium-sized split pieces (2-3 in) of dry firewood in the firebox. You can close the door as soon as you loaded the pieces. Let burn until you have a good coal bed. You are now ready for the main load.

4.2.2 CONVENTIONAL FIRE STARTING

The conventional way to build a wood fire is to bunch up 5 to 10 sheets of plain newspaper and place them in the firebox. Next, place 10 or so pieces of fine kindling on the newspaper. This kindling should be very thin; less than 1" (25 mm). Next, place some larger kindling pieces on the fine kindling. Open the air control fully and light the newspaper. If you have a tall, straight venting system you should be able to close the door immediately and the fire will ignite. Once the fire has ignited, close the door and leave the air control fully open.



A conventional kindling fire with Paper under finely split wood.

DO NOT LEAVE THE FIREPLACE UNATTENDED WHEN THE DOOR IS SLIGHTLY OPENED. ALWAYS CLOSE AND LATCH THE DOOR AFTER THE FIRE IGNITES.

After the kindling fire has mostly burned, you can add standard firewood pieces until you have a fire of the right size for the conditions.

CAUTION: PLACE THE WOOD LOGS FAR ENOUGH FROM THE GLASS TO ALLOW PROPER PRIMARY AIR FLOW

4.2.3 TWO PARALLEL LOGS

Place two split logs in the firebox. Place a few sheets of twisted newspaper between the logs. Now place some fine kindling across the two logs and some larger kindling across those, log cabin style. Light the newspaper.

4.2.4 USING FIRE STARTERS

Many people like to use commercial fire starters instead of newspaper. Some of these starters are made of sawdust and wax and others are specialized flammable solid chemicals. Follow the package directions for use.

Gel starter may be used but only if there are no hot embers present. Use only in a cold firebox to start a fire.

DO NOT USE FLAMMABLE LIQUIDS SUCH AS GASOLINE, NAPHTHA, FUEL OIL, MOTOR OIL, OR AEROSOLS TO START OR REKINDLE THE FIRE.

4.3 MAINTAINING WOOD FIRES

4.3.1 GENERAL ADVICE

Wood heating with a space heater is very different than other forms of heating. There will be variations in the temperature in different parts of the house and there will be variations in temperature throughout the day and night. This is normal, and for experienced wood burners these are advantages of zone heating with wood.

Do not expect steady heat output from your fireplace. It is normal for its surface temperature to rise after a new load of wood is ignited and for its temperature to gradually decline as the fire progresses. This rising and falling of temperature can be matched to your household routines. For example, the area temperature can be cooler when you are active, such as when doing housework or cooking, and it can be warmer when you are inactive, such as when reading or watching television.

IMPORTANT: Wood burns best in cycles. A cycle starts when a new load of wood is ignited by hot coals and ends when that load has been consumed down to a bed of charcoal about the same size as it was

when the wood was loaded. Do not attempt to produce a steady heat output by placing a single log on the fire at regular intervals. Always place at least 5 to 8 pieces on the fire at a time in the North-South orientation so that the heat radiated from one piece helps to ignite the pieces next to it. Each load of wood should provide several hours of heating. The size of each load can be matched to the amount of heat needed.

When you burn in cycles, you rarely need to open the fireplace's loading door while the wood is flaming. This is an advantage because there is more chance that smoke will leak from the fireplace when the door is opened as a full fire is burning.

IF YOU MUST OPEN THE DOOR WHILE THE FUEL IS FLAMING, OPEN THE AIR CONTROL FULLY FOR A FEW MINUTES, THEN UNLATCH AND OPEN THE DOOR SLOWLY.

4.3.2 USING A FIRE SCREEN

In the United States or in provinces with a particulate emissions limit (e.g.: US EPA), the use of open-door wood fireplace with a rigid fire screen is prohibited.

This fireplace has been tested for use with an open door in conjunction with a fire screen, sold separately. The fire screen must be properly secured on the fireplace to avoid any risk of sparks damaging the flooring. When the fire screen is in use, do not leave the fireplace unattended to respond promptly in the event of smoke spillage into the room. Potential causes of smoke spillage are described in Section 7, Venting. See Appendix 7: Optional Fire Screen Installation for installation instructions.

Operating the fireplace with a fire screen increases possibilities of generating carbon monoxide. Carbon monoxide is an odourless gas that is highly toxic which can cause death at high concentration in air. Installation of a carbon monoxide detector is highly recommended.

4.3.3 BLOWER OPERATION

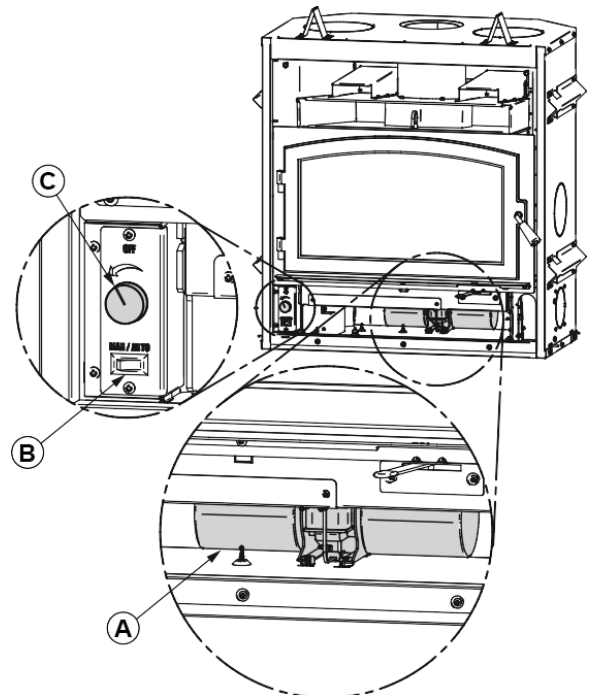
A blower (A) is already installed in the fireplace. It is located behind the faceplate, at the bottom of the fireplace. Its function is to increase airflow around the fireplace air jacket and improve hot air circulation in the room. When used regularly, the blower can provide a small increase in efficiency, up to 2%. However, the use of a blower should not be used as a way to gain more output from a fireplace that is undersized for the space it is intended to heat.

The blower can operate in automatic or manual mode. To choose the mode, just press the rocker switch (B) and choose AUTO for automatic mode and MAN for manual mode.

Automatic mode: Press the rocker switch (B) and choose the AUTO mode. Choose the operating speed of the blower with the rheostat button (C) above. The blower will start automatically when the fireplace is warm and will shut down automatically when the fireplace is cold.

Manual mode: Press the rocker switch (B) and select the MAN mode. Choose the operating speed of the blower with the rheostat button (C) above. The blower will start immediately. The blower must be stopped manually, either by turning the rheostat button (C) fully to the left or by changing the mode.

OFF: To completely turn off the blower, turn the rheostat button (C) counter clockwise until the blower stops.



4.3.4 ASH REMOVAL

Ash should be removed from the firebox every two or three days of full time heating. Do not let the ash build up in the firebox because it will interfere with proper fire management.

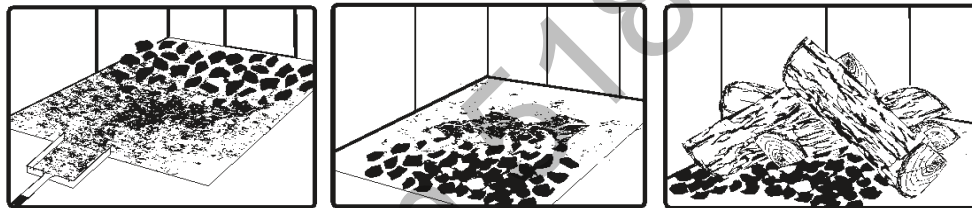
The best time to remove ash is after an overnight fire when the fireplace is relatively cool, but there is still some chimney draft to draw the ash dust into the fireplace and prevent it from coming into the room.

After ashes have been removed from the fireplace and placed in a tightly covered metal container, they should be taken outside immediately. The closed container of ashes should be placed on a non-combustible floor or on the ground well away from all combustible materials pending final disposal. Ashes normally contain some live charcoal that can stay hot for several days. If the ashes are disposed of by burial in soil or otherwise locally dispersed, they should be retained in the closed container until all cinders have thoroughly cooled. Other waste should not be placed in this container.

NEVER STORE ASHES INDOORS OR IN A NON-METALIC CONTAINER OR ON A WOODEN DECK.

4.3.5 RAKING CHARCOAL

Rekindle the fire when you notice that the room temperature has fallen. You will find most of the remaining charcoal at the back of the firebox, furthest from the door. Rake these coals towards the door before loading. There are two reasons for this raking of the coals. First, it concentrates them near where most of the combustion air enters the firebox and where they can ignite the new load quickly, and second, the charcoal will not be smothered by the new load of wood. If you were to simply spread the charcoal out, the new load will smoulder for a long time before igniting.



Remove ash first, and then rake charcoal towards the front of the firebox before loading so that it will ignite the new load.

4.3.6 FIRING EACH NEW LOAD HOT

Place the new load of wood on and behind the charcoal, and not too close to the glass. Close the door and open the air control fully. Leave the air control fully open until the firebox is full of flames, the wood has charred to black and its edges are glowing red. Firing each load of wood hot accomplishes a few things:

- Drives the surface moisture from the wood,
- Creates a layer of char on the wood, which slows down its release of smoke,
- Heats the firebox components so they reflect heat back to the fire, and
- Heats the chimney so it can produce strong, steady draft for the rest of the cycle.

DO NOT LEAVE THE FIREPLACE UNATTENDED WHILE A NEW LOAD IS BEING FIRED HOT. DO NOT OVERFIRE.

When you burn a new load of wood hot, the result will be a surge of heat from the fireplace. This heat surge is welcome when the room temperature is a little lower than desirable, but not welcome if the space is already warm. Therefore, allow each load of wood to burn down so that the space begins to cool off a little before loading. Letting the space cool before loading is one of the secrets to clean burning and effective zone heating.

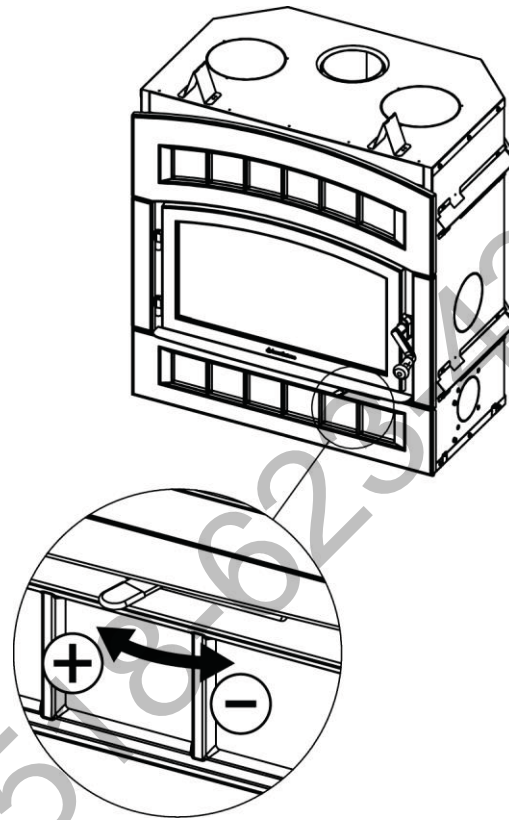
4.3.7 SHUTTING DOWN THE AIR SUPPLY

The fireplace can operate at three different settings: Maximum combustion rate, medium combustion rate and low combustion rate.

As the air intake is reduced, the burn rate decreases. This has the effect of distributing the thermal energy of the fuel over a longer period of time. In addition, the flow rate of exhaust through the appliance and flue pipe slows down, which increases the duration of the energy transfer of the exhaust gases. As the air intake is reduced, the flame slows down.

If the flames diminish to the point of disappearing, the air intake has been reduced too early in the combustion cycle or the wood used is too wet. If the wood is dry and the air control is used properly, the flames should decrease, but remain bright and stable.

On the other hand, too much air can make the fire uncontrollable, creating very high temperatures in the unit as well as in the chimney and seriously damaging them. A reddish glow on the unit and on the chimney components indicates overheating. Excessive temperatures can cause a chimney fire.



4.3.8 BUILDING DIFFERENT FIRES FOR DIFFERENT NEEDS

Using the air control is not the only way to match the fireplace's heat output to the heat demand. Your house will need far less heat in October than in January to be kept at a comfortable temperature. If you fill the firebox full in fall weather, you will either overheat the space or turn the fireplace down so much that the fire will be smoky and inefficient. Here are some suggestions for building fires to match different heat demand.

SMALL FIRES TO TAKE THE CHILL OFF THE HOUSE

To build a small fire that will produce a low heat output, use small pieces of firewood and load them crisscross in the firebox. The pieces should be only 3" to 4" diameter. After raking the coals, you can lay two pieces parallel to each other corner to corner in the firebox and lay two more across them in the other direction. Open the air control fully and only reduce the air after the wood is fully flaming. This kind of fire is good for mild weather when you are around to tend the fireplace and should provide enough heat for four hours or more. Small fires like this are a good time to use softer wood species so there will be less chance of overheating the house.

LONG LASTING LOW OUTPUT FIRES

Sometimes you will want to build a fire to last up to eight hours, but don't need intense heat. In this case use soft wood species and place the logs compactly in the firebox so the pieces are packed tightly together. You will need to fire the load hot for long enough to fully char the log surfaces before you can turn the air down. Make sure the fire is flaming brightly before leaving the fire to burn.

HIGH OUTPUT FIRES FOR COLD WEATHER

When the heat demand is high during cold weather, you'll need a fire that burns steadily and brightly. This is the time to use larger pieces of hardwood fuel if you have it. Put the biggest pieces at the back of the

firebox and place the rest of the pieces compactly. A densely built fire like this will produce the longest burn your fireplace is capable of.

You will need to be cautious when building fires like this because if the air is turned down too much, the fire could smoulder. Make sure the wood is flaming brightly before leaving the fire to burn.

MAXIMUM BURN CYCLE TIMES

The burn cycle time is the period between loading wood on a coal bed and the consumption of that wood back to a coal bed of the same size. The flaming phase of the fire lasts for roughly the first half of the burn cycle and the second half is the coal bed phase during which there is little or no flame. The length of burn you can expect from your fireplace, including both the flaming and coal bed phases, will be affected by a number of things, such as:

- | | |
|--|---|
| <ul style="list-style-type: none"> Firebox size The amount of wood loaded The species of wood you burn The wood moisture content | <ul style="list-style-type: none"> The size of the space to be heated The climate zone you live in The time of year. |
|--|---|

This table provides a very general indication of the maximum burn cycle times you are likely to experience, based on firebox volume.

FIREBOX VOLUME	MAXIMUM BURN TIME
<1.5 cubic feet	3 to 5 hours
1.5 c.f. to 2.0 c.f.	5 to 6 hours
2.0 c.f. to 2.5 c.f.	6 to 8 hours
2.5 c.f. to 3.0 c.f.	8 to 9 hours
>3.0 c.f.	9 to 10 hours

Long burn times are not necessarily an indication of efficient fireplace operation. When you are home during the day and able to tend the fire, it is preferable to build a smaller fire that might provide three or four hours of heating than to fully load the firebox for a much longer burn. Shorter burn cycles make it easier to match the heat output of the fireplace to the heat demand of the space.

HOW TO PLACE THE LOGS

In fireboxes that are roughly square, wood can be loaded so that looking through the glass door you see the ends of the logs (north-south) or the sides of the logs (east-west).

East-west loads that are built compactly break down slowly when heated, but the amount of wood you can load is limited because if you put in too many pieces, one may fall against the glass. East-west loads are excellent for long, low output fires for relatively mild weather.

North-south loads break down more quickly, but much more wood can be loaded at a time. This makes north-south loading good for high output, long lasting fires for cold weather.

5 MAINTAINING YOUR WOOD HEATING SYSTEM

5.1 FIREPLACE MAINTENANCE

Your new fireplace will give many years of reliable service if you use and maintain it correctly. Some of the internal components of the firebox, such as refractory slabs, baffles and air tubes, will wear over time under intense heat. You should always replace defective parts with original parts (see **Appendix 11: Parts List**).

Firing each load hot to begin a cycle as described above will not cause premature deterioration of the fireplace. However, letting the fireplace run with the air control fully open for the entire burn cycles can cause damage over time. The hotter you run the fireplace throughout burn cycles, the more quickly its components will deteriorate. For that reason, **never leave the fireplace unattended while a new load is being fired hot.**

5.1.1 PLATED FINISH MAINTENANCE

If your appliance has a plated finish, use a metal polish and a soft cloth to clean it. Do not use abrasives such as steel wool, steel pads or an abrasive cleaner for they may scratch the finish.

5.1.2 GLASS DOOR CLEANING

Under normal conditions, your door glass should stay relatively clear. If your firewood is dry enough and you follow the operating instructions in this manual, a whitish, dusty deposit will form on the inside of the glass after a week or so of use. This is normal and can be easily removed when the fireplace is cool by wiping with a damp cloth or paper towel and then drying. **Never try to clean the glass when the fireplace is hot.**

In spring and fall when the fireplace is run at lower temperatures, you may see some light brown stains forming, especially at the lower corners of the glass. This indicates that the fire has been smoky and some of the smoke has condensed on the glass. When the weather is mild, you may find that letting the fire go out is better than trying to maintain a continuous fire. Use the technique described above for building a fire to take the chill off the house.

If you do get brown stains on the glass you can remove them with special cleaners for wood heater glass doors. **Do not use abrasives to clean your fireplace's door glass.**

The deposits that form on the glass are the best indication of the quality of your fuel and how well you are doing in operating the fireplace. Your goal should be clear glass with no brown stains. If you continue to see brown stains on the glass, something about your fuel and operating procedure needs to be changed. Stains on the glass indicate incomplete combustion of the wood, which also means more smoke emissions and faster formation of creosote in the chimney.

If you see brown streaks coming from the edge of the glass, it is time to replace the gasket around the glass. Visit your fireplace retailer to get the self-adhesive glass gasket and follow the instructions below for installation.

Do not abuse the glass door by striking or slamming shut. Do not use the fireplace if the glass is broken.

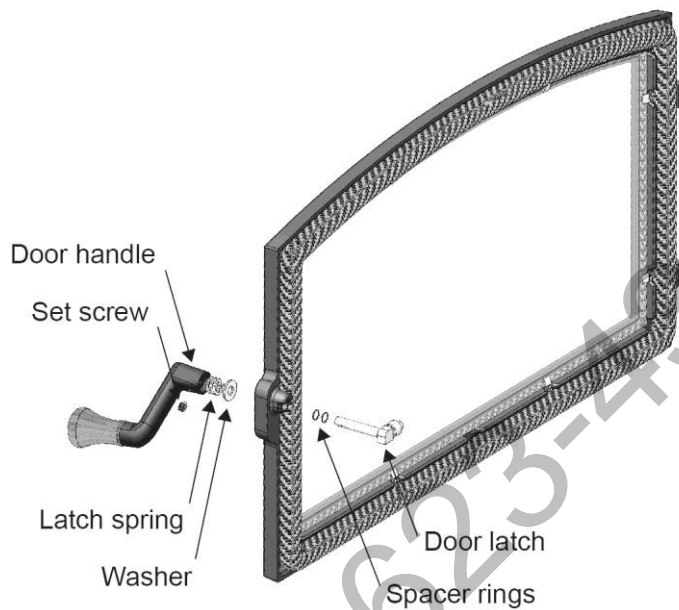
5.1.3 DOOR ADJUSTMENT

In order for your fireplace to burn at its best efficiency, the door must provide a perfect seal with the firebox. Therefore, the gasket should be inspected periodically to check for a good seal. The gasket seal may be improved with a simple latch mechanism adjustment.

This mechanism consists of a door latch (with roller), small metal spacer rings, a washer, latch spring, the exterior handle and a handle set screw. The distance maintained between the latch roller and the door itself dictates the latching pressure, and therefore the overall door seal. This distance is adjusted by adding or removing the small metal spacer rings from the latch shaft between the latch head and the back of the door itself. To adjust the count of these spacer rings on the latch shaft:

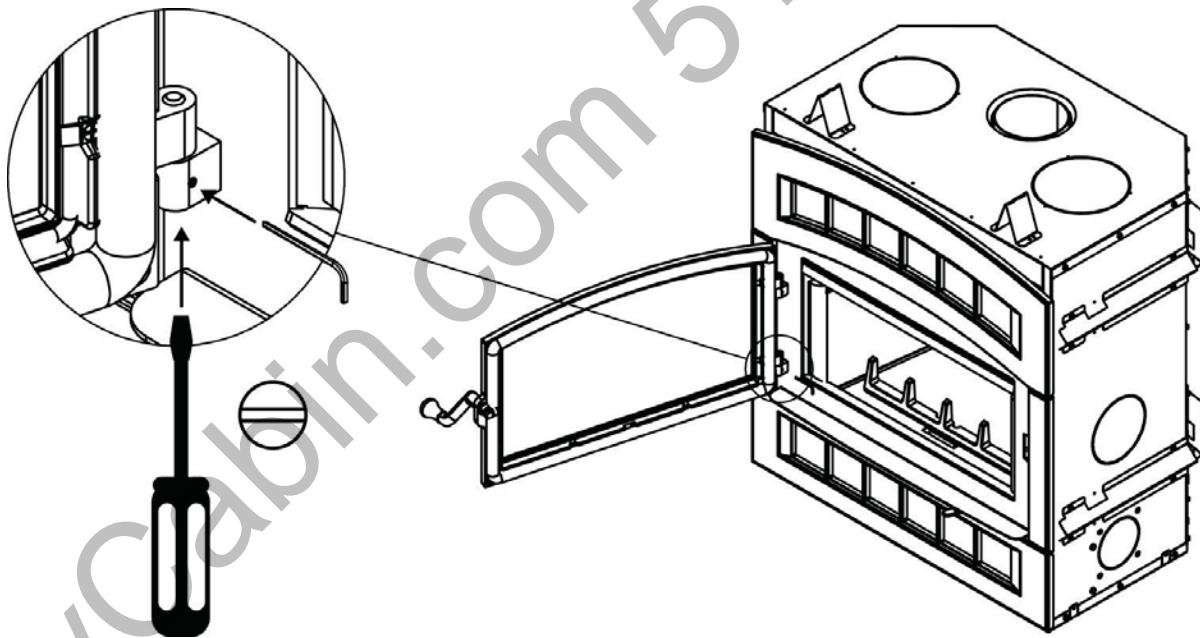
1. Loosen the handle set screw using a 5/32" Allen wrench. It may be necessary to rotate the handle to access the screw head
2. Unscrew the exterior door handle from the door latch shaft by turning it counter clockwise until it can be removed.
3. Remove the latch spring and washer.
4. Slide the latch shaft through the door.

5. Remove spacer rings from the latch shaft to tighten the door seal, add spacers to the latch shaft to loosen.
6. Note the flat spot on the latch shaft. The set screw in the handle docks on this flat spot to prevent handle rotation on the shaft. Reinstall the latch shaft, washer and spring.
7. Reinstall the handle on the latch shaft by threading it on clockwise and tighten until the handle crank body is 1/8" away from the door face.
8. Firmly snug set screw.



5.1.4 DOOR ALIGNMENT

To align, open the fireplace's door and loosen the pressures screws located on the lower and upper hinges of the door using a 3/32" Allen key to free the adjustable hinge rods.

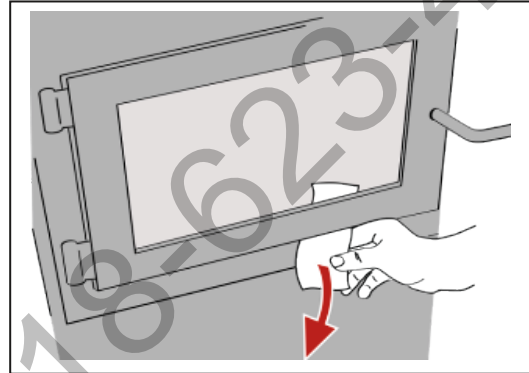


Using a flat screwdriver, turn the adjustable hinge rods in the direction shown to adjust the doors. Tighten all door hinge pressure screws when they are at the desired positions.

	DOORS POSITION WITH MORE SPACE		DOORS POSITION WITH LESS SPACE		DOORS TILT UP		DOORS TILT DOWN	
	LEFT	RIGHT	LEFT	RIGHT	LEFT	RIGHT	LEFT	RIGHT
TOP PINTLES								
BOTTOM PINTLES								

5.1.5 REPLACING THE DOOR GASKETS

It is important to maintain the gaskets in good condition. After a year or more of use, the doors gaskets will compress and become hard, which may allow air to leak past it. You can test the condition of the door gaskets by closing and latching the doors on a strip of paper. Test all around the door. If the paper slips out easily anywhere, it is time to replace the gasket.

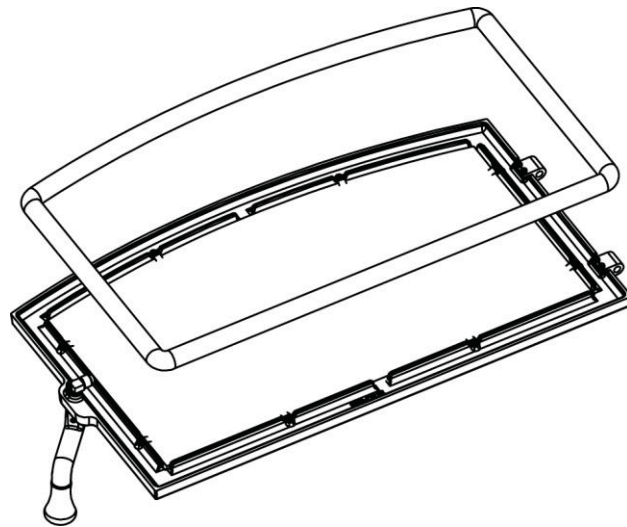


Use the correct replacement gasket for the doors. Gasket can be purchased from your retailer. The diameter and density of the gasket is important to getting a good seal.

Remove the door from the fireplace (Refer to Appendix 2). Place the door face-down on something soft like a cushion of rags or piece of carpet. Remove the old gaskets from the door by pulling and prying it out with an old screw driver. Then use the screwdriver to scrape the old gasket adhesive from the door. Now run a 1/4" (6 mm) bead of high temperature silicone in the door gasket groove. Starting from the middle of the hinge side, press the gasket into the groove. Do not stretch the gasket as you place it. Leave the gasket about 1/2" long when you cut it and press the end into the groove. Tuck any loose fibres under the gasket and into the silicone. Close the door and do not use the fireplace for 24 hours.

Door gasket length: 84 inches

Door gasket dimension: 1 in. rope



5.1.6 REPLACING THE DOOR GLASS

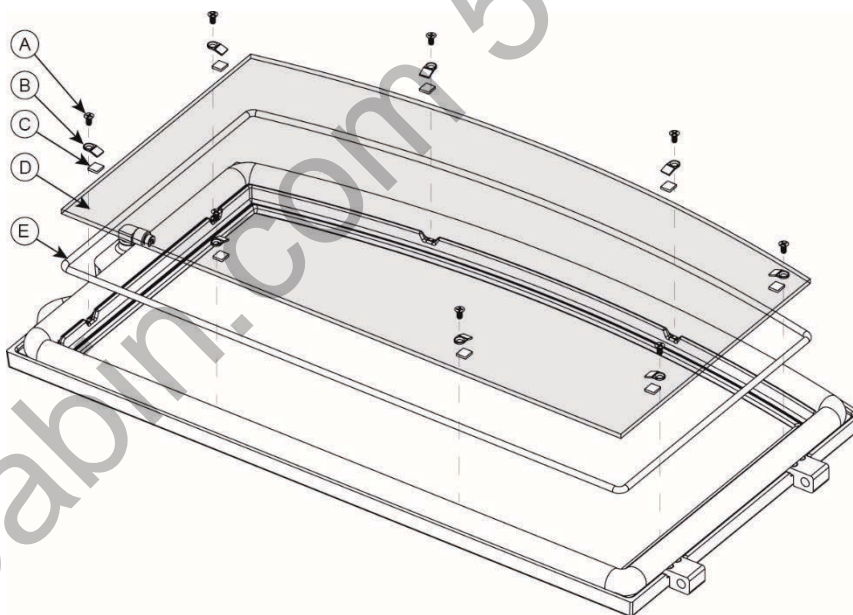
The glass used in the WFP-75 is 5 mm thick of dimension 13.65" x 25.3" (34,5 cm x 64,3 cm) and tested to reach temperatures up to 1400° F. If the glass breaks, it must be replaced with one having the same specification. Contact your HearthStone dealer to obtain a genuine replacement part (see "replacement parts", in appendix to get the proper part number).

WARNING

- **TEMPERED GLASS OR ORDINARY GLASS WILL NOT WITHSTAND THE HIGH TEMPERATURES OF THE WFP-75.**
- **DO NOT ABUSE THE GLASS DOOR BY SLAMMING IT AGAINST THE FIREPLACE.**
- **DO NOT OPERATE THE FIREPLACE WITH A CRACKED OR BROKEN GLASS.**

In order to replace the glass, use the following procedure:

1. Remove the door (Refer to Appendix 2)
2. Remove the 8 glass clips (B) and pads (C) held in place with 8 screws (A)
3. Remove the glass (D)
4. Remove the glass gasket (E)
5. To install the new glass, follow the above steps in reverse order, using the adhesive included in the glass kit to fix the new glass gasket in place.



5.1.7 CLEANING AND PAINTING THE FIREPLACE

Do not attempt to clean or paint the fireplace when the unit is hot. Painted surfaces can be wiped down with a damp cloth. Plated surfaces may be scratched by abrasive cleaners. To maintain the finish at its original brilliance, use only a damp soft cloth to clean plated surfaces.

If the paint becomes scratched or damaged, you can give your wood fireplace a brand new look by repainting it with heat-resistant paint. Before painting, roughen the surface with fine sand paper, wipe it down to remove dust, and apply two thin coats of paint. For best results, use the same paint that was originally used on the fireplace, which is available in spray cans. See your dealer for details.

5.2 CHIMNEY AND CHIMNEY LINER MAINTENANCE

5.2.1 WHY CHIMNEY CLEANING IS NECESSARY

Wood smoke can condense inside the chimney liner and chimney, forming a combustible deposit called creosote. If creosote is allowed to build up in the venting system it can ignite when a hot fire is burned in the fireplace and a very hot fire can progress to the top of the chimney. Severe chimney fires can damage even the best chimneys. Smouldering, smoky fires can quickly cause a thick layer of creosote to form. When you avoid smouldering so the exhaust from the chimney is mostly clear, creosote builds up more slowly. Your new fireplace has the right characteristics to help you to burn clean fires with little or no smoke, resulting in less creosote in the chimney.

5.2.2 HOW OFTEN SHOULD YOU CLEAN THE CHIMNEY?

It is not possible to predict how much or how quickly creosote will form in your chimney. It is important, therefore, to check the build-up in your chimney monthly when getting used to the new fireplace until you determine the rate of creosote formation. Even if creosote forms slowly in your system, the chimney should be cleaned and inspected at least once each year. Do not allow more than 1/8" (3 mm) creosote buildup in the chimney.

It is recommended to clean thoroughly the chimney system at the end of every heating season. During summer, the air is damper and with minimal air circulation within the stove or furnace, it can mix with creosote and/or soot deposits in the chimney system to form an acid that could accelerate the corrosion process and induce premature decay of the steel. Corrosion damages are not covered under warranty. Have your chimney system cleaned by a professional chimney sweep. Use a plastic or steel brush.

Contact your local municipal or provincial fire authority for information on how to handle a chimney fire. Have a clearly understood plan to handle a chimney fire.

5.2.3 CLEANING THE CHIMNEY

Chimney cleaning can be a difficult and dangerous job. If you don't have experience cleaning chimneys, you might want to hire a professional chimney sweep to clean and inspect the system for the first time. After having seen the cleaning process, you can decide if it is a job you would like to take on.

The most common equipment used are fibreglass rods with threaded fittings and stiff plastic brushes. The brush is forced up and down inside the chimney flue to scrub off the creosote.



The chimney should be checked regularly for creosote build-up. Inspection and cleaning of the chimney can be facilitated by removing the baffle.

NOTE

**DO NOT EXPECT CHEMICAL CLEANERS TO KEEP YOUR CHIMNEY CLEAN.
THE RAIN CAP CAN BE REMOVED FOR INSPECTION AND/OR CLEANING OF THE CHIMNEY.**

The chimney should be swept following these steps:

- Remove the baffle and air tubes.
- Remove the rain cap.
- Sweep the chimney.
- Clean the inside of the firebox.
- Re-install the baffle, the air tubes and the rain cap.

CAUTION

- **OPERATION OF YOUR WFP-75 WITHOUT THE BAFFLE MAY CAUSE UNSAFE AND HAZARDOUS TEMPERATURE CONDITIONS AND WILL VOID THE WARRANTY.**

5.2.4 FIRE BAFFLE REMOVAL PRIOR TO CLEANING THE CHIMNEY

Before starting to clean your chimney, we recommend that you remove the fire baffle to avoid creosote dust collection on top of the baffle.

Follow the steps below to remove the fire baffle:

- Remove the front air tube.
 - Using pliers, rotate the tube until the locking channel on the left end of the tube aligns with the tab. Slide the tube to the right, out of the hole. Angle the tube down and remove from the fireplace.
- Remove the middle front tube following the same steps.
- Lift the baffle and slide it out of the fireplace. You now have access to the chimney.
- Remove the remaining two tubes for clearer access to the chimney.

See **Appendix 9: Installation of Secondary Air Tubes and Baffle** for details.

5.2.5 CHIMNEY FIRE

Regular chimney maintenance and inspection can prevent chimney fires. If you have a chimney fire, follow these steps:

1. Close the fireplace door and the air intake controls;
2. Alert your family of the possible danger;
3. If you require assistance, alert your fire department;
4. If possible, use a dry chemical fire extinguisher, baking soda or sand to control the fire. Do not use water as it may cause a dangerous steam explosion;
5. Check outside to ensure that sparks and hot embers coming out of the chimney are not igniting the roof;
6. Do not use the fireplace again until your chimney and fireplace have been inspected by a qualified chimney sweep or a Fire Department Inspector.

PART B – INSTALLATION

Install the fireplace only as described in these instructions and using only components from the chimney manufacturers listed in table 3.

Included with your product

WFP-75 Fireplace with cast iron door and facade
Classic moulded refractory brick panels
Outside air adapter and blocking plate
Top and rear standoffs

Parts Required

Insulated chimney made by the manufacturers listed in table 3, with the corresponding specifications :

- Chimney lengths
- Elbows (where necessary)
- Associated components as per these installation instructions.

Additional Equipment (optional)

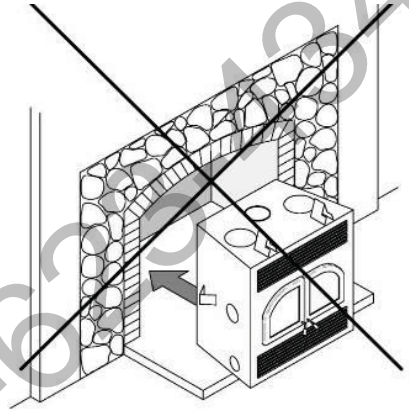
- Forced air distribution kit + Insulated flex pipe for forced air distribution kit
- Gravity air distribution kit + 8in rigid ducting
- Outside air kit + 4in insulated pipe, outside wall termination, and clamps
- Fire screen
- Heat shield for combustible shelf

6 SAFETY INFORMATION

6.1 SUMMARY OF INSTALLATION CAUTIONS AND

WARNINGS

- THE INFORMATION GIVEN ON THE CERTIFICATION LABEL AFFIXED TO THE APPLIANCE ALWAYS OVERRIDES THE INFORMATION PUBLISHED, IN ANY OTHER MEDIA (OWNER'S MANUAL, CATALOGUES, FLYERS, MAGAZINES AND/OR WEB SITES).
- MIXING OF APPLIANCE COMPONENTS FROM DIFFERENT SOURCES OR MODIFYING COMPONENTS MAY RESULT IN HAZARDOUS CONDITIONS.
- ANY MODIFICATION OF THE APPLIANCE THAT HAS NOT BEEN APPROVED IN WRITING BY THE TESTING AUTHORITY VIOLATES CSA B365 (CANADA), AND ANSI NFPA 211 (USA).
- IF REQUIRED, A SUPPLY OF COMBUSTION AIR SHALL BE PROVIDED TO THE ROOM.
- DO NOT CONNECT TO OR USE IN CONJUNCTION WITH ANY AIR DISTRIBUTION DUCTWORK.
- DO NOT CONNECT THIS UNIT TO A CHIMNEY FLUE SERVING ANOTHER APPLIANCE.
- THIS FIREPLACE HAS NOT BEEN TESTED TO BE INSTALLED IN A MOBILE HOME.
- THIS FIREPLACE HAS NOT BEEN TESTED TO BE INSTALLED INSIDE A MASONRY CHIMNEY.



6.2 REGULATIONS COVERING FIREPLACE INSTALLATION

When installed and operated as described in these instructions, the WFP-75 wood fireplace is suitable for use in residential installations.

In Canada, the CSA B365 Installation Code for Solid Fuel Burning Appliances and Equipment and the CSA C22.1 Canadian National Electrical Code are to be followed in the absence of local code requirements. In the USA, the ANSI NFPA 211 Standard for Chimneys, Fireplaces, Vents and Solid Fuel-Burning Appliances and the ANSI NFPA 70 National Electrical Code are to be followed in the absence of local code requirements.

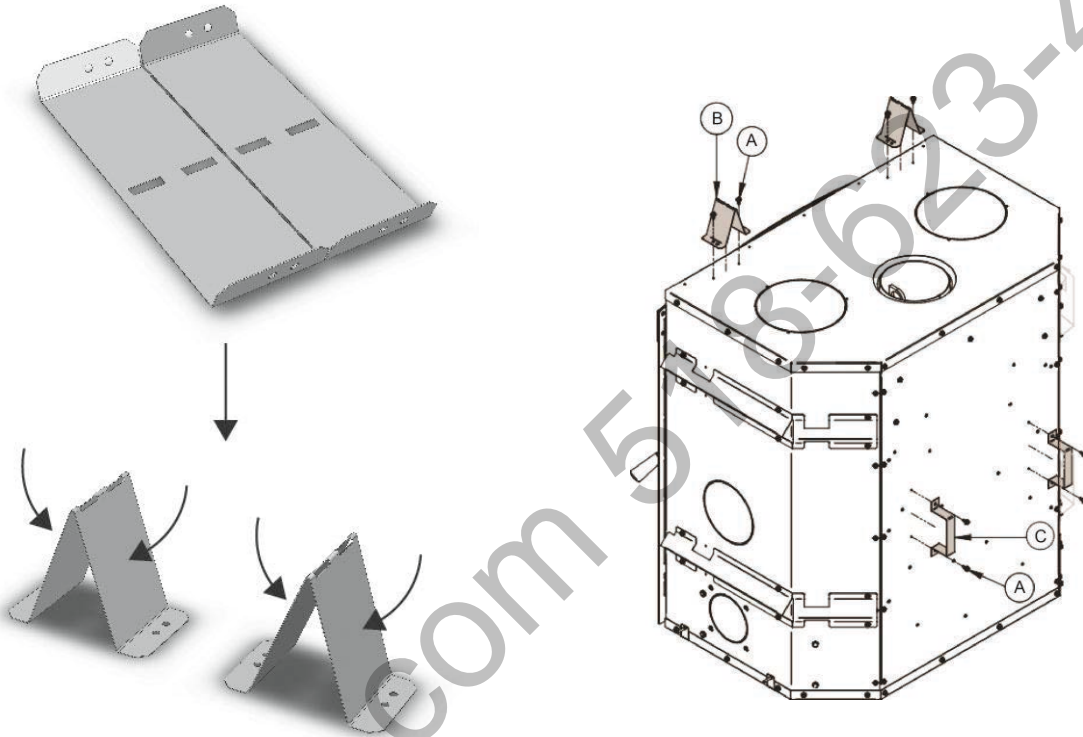
NOTE

THE FIREPLACE IS NOT APPROVED FOR USE WITH A SO-CALLED "POSITIVE FLUE CONNECTION" TO THE CLAY TILE OF A MASONRY CHIMNEY.

6.3 FIREPLACE INSTALLATION

6.3.1 STANDOFF INSTALLATION

Before installing the fireplace, it is mandatory to install the standoffs on the top (B) and the back (C) of the fireplace. The standoffs (B) (C) and screws (A) can be found in the fireplace firebox. The top standoffs ship flat and must be bent by hand in order to be installed. Separate the 2 top standoffs and bend along the center line. Separate the 2 rear standoffs and install.



6.3.2 TRANSPORTATION PACKAGING

To facilitate transportation of the WFP-75 fireplace before installation, we suggest removing the refractory panels to make the unit lighter and easier to carry.

Wearing gloves is strongly recommended when moving the fireplace.



6.3.3 LOCATING THE WFP-75

The best location to install your fireplace is determined by considering the location of windows, doors, and the traffic flow in the room where the fireplace is located, allowing space in front of the unit for the hearth extension and the mantel, and taking into consideration the location of the hot air ducts (optional), outside air kit and chimney. If possible, choose a location where the vent will not interfere with any truss, roof beams, wall studs, water pipes or electrical wiring. It may be easier to relocate the fireplace than to rework the building structure. Also choose a location that allows installing the least amount of offsets in the chimney.

Usually, no additional floor support is needed for the fireplace. The adequacy of the floor can be checked by first estimating the weight of the fireplace system. Weights are given in the section 2.2 General Features. Next, measure the area occupied by the fireplace. Note the floor construction and consult your local building code to determine if additional support is needed.

WARNING

- THE FIREPLACE MUST BE INSTALLED ON A LEVEL AND STRAIGHT (NOT UNEVEN) SURFACE.

6.3.4 CLEARANCES TO COMBUSTIBLE MATERIALS

The clearances shown in this section have been determined by test according to procedures set out in safety standards ULC-S610 (Canada) and UL 127 (U.S.A.). When the fireplace is installed so that its surfaces are at or beyond the minimum clearances specified, combustible surfaces will not overheat under normal and even abnormal operating conditions.

WARNING

- NO PART OF THE FIREPLACE MAY BE LOCATED CLOSER TO COMBUSTIBLES THAN THE MINIMUM CLEARANCE FIGURES GIVEN.

A material is considered non-combustible when made entirely of steel, iron, bricks, tiles, concrete, slate, glass or a combination of these materials. Materials corresponding to ASTM E136 and UL 763 are considered to be non-combustible materials with the exception of gypsum, which will be considered a non-combustible material only if it is certified to withstand an ambient temperature of use of 250°F and more

*Measurements are from the door opening.

Wall in front of fireplace: 48" (122cm)

Ceiling: 80" (2,03 m) measured from the base of the fireplace.

Fireplace enclosure:

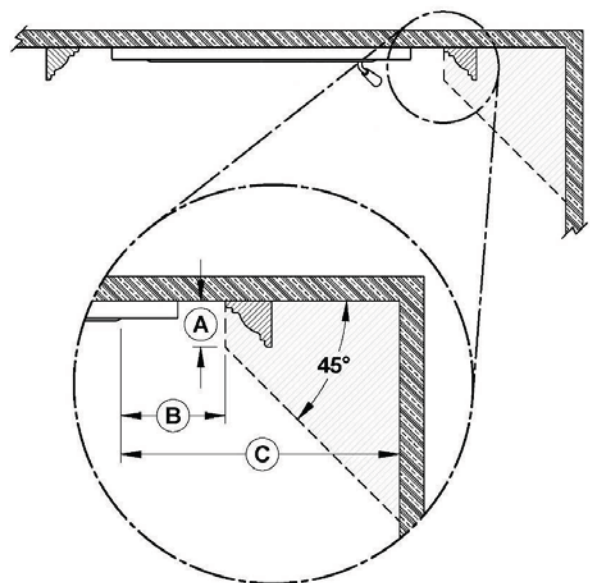
Back : 0"

Sides : 0"

Floor (under the fireplace): 0"

Chimney: 2" (50 mm)

	CLEARANCES*
A	3" (76 mm)* max
B	8" (203 mm)* min
C	13" (330 mm)* min



6.3.5 HEARTH EXTENSION CONSTRUCTION OPTIONS

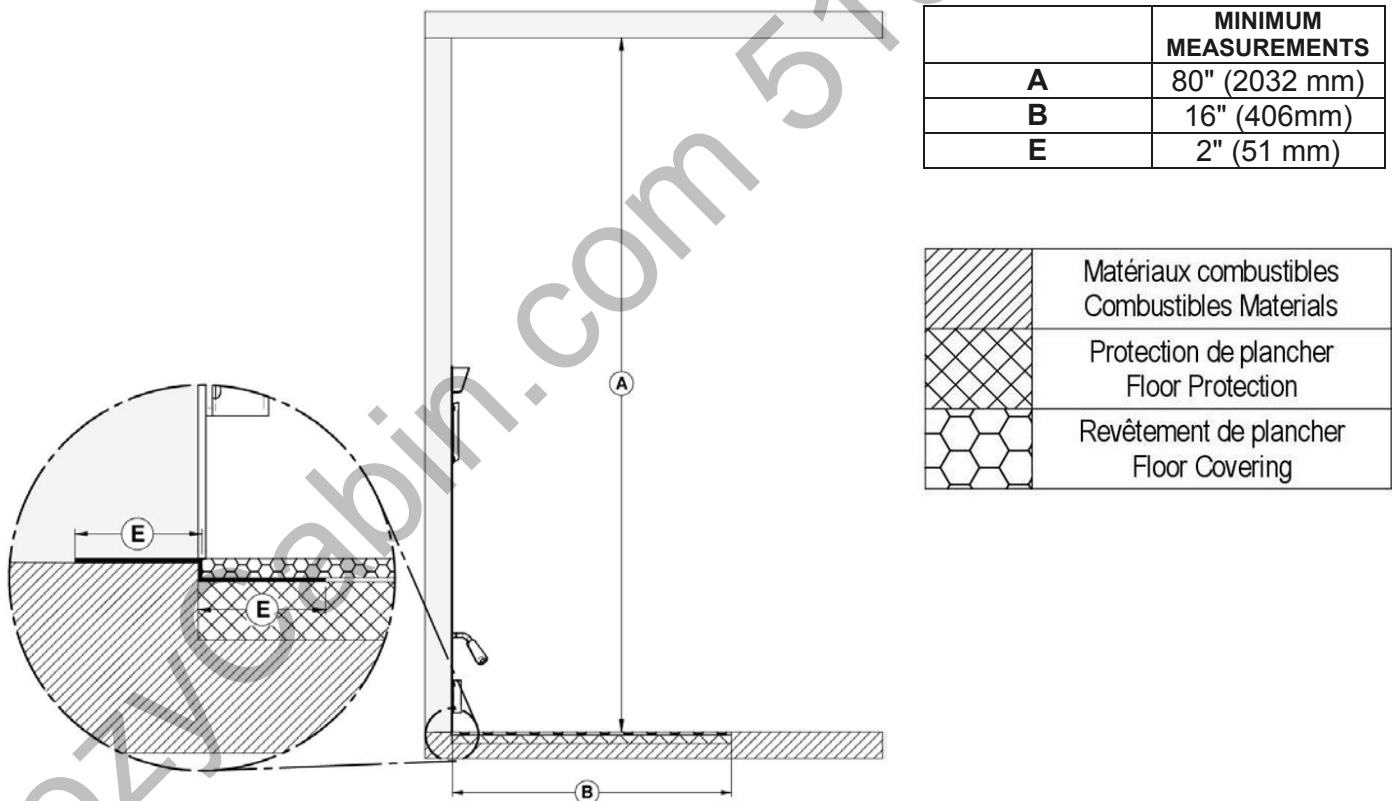
The WFP-75 may be installed directly on the floor or on a raised combustible or non combustible base.

Option	Installation type	R factor required	Non combustible floor protection length
#1	Directly on the floor	Yes (1.00)	16" (406 mm)
#2	Installation raised 4" from floor or less	Yes (1.00)	16" (406 mm)
#3	Installation on a base, raised more than 4"	No	16" (406 mm)

Installation can be done using one of the following options:

OPTION #1 - INSTALLATION DIRECTLY ON THE FLOOR

- A 1.00 R value for the hearth extension is required. The non-combustible hearth extension floor area must extend at least 16" (406 mm) (**B**) in front of the hearth.
- The joint between the hearth extension and the fireplace (**E**), for the entire width of the floor protection, must be protected by a bent and continuous piece of sheet metal (not included).
- An 80" clearance between the fireplace base and the ceiling (**A**) must be respected.



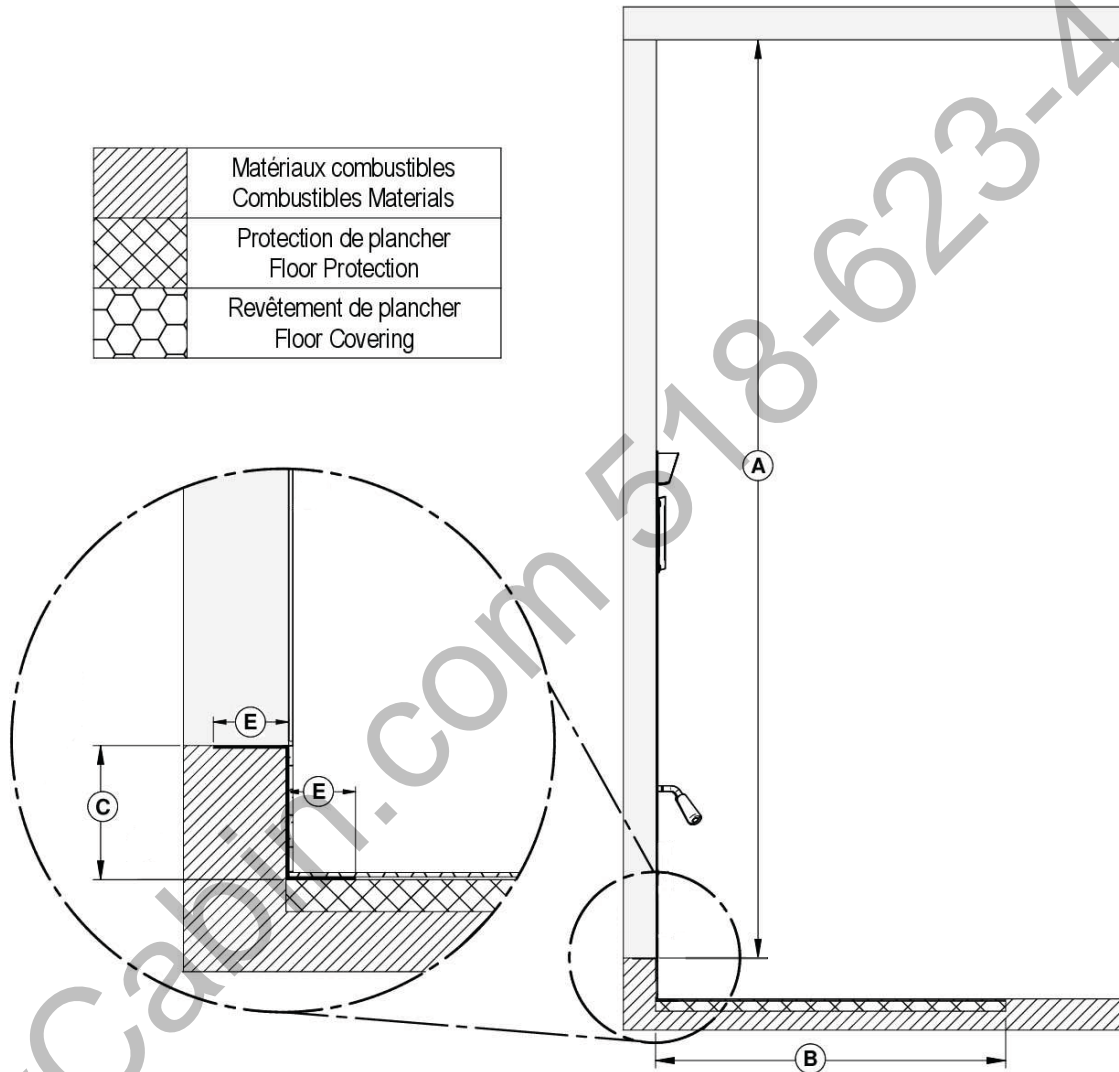
NOTE

The floor under the fireplace should match or exceed the height of the floor protection.

OPTION #2 - INSTALLATION RAISED 4" OR LESS FROM FLOOR

- A 1.00 R value for the hearth extension is required. The non-combustible hearth extension floor area must extend at least 16" (406 mm) (**B**) in front of the hearth.
- The joint between the hearth extension and the fireplace (**E**), for the entire width of the floor protection, must be protected by a bent and continuous piece of sheet metal (not included).
- An 80" clearance between the fireplace base and the ceiling (**A**) must be respected.

	Matériaux combustibles Combustibles Materials
	Protection de plancher Floor Protection
	Revêtement de plancher Floor Covering

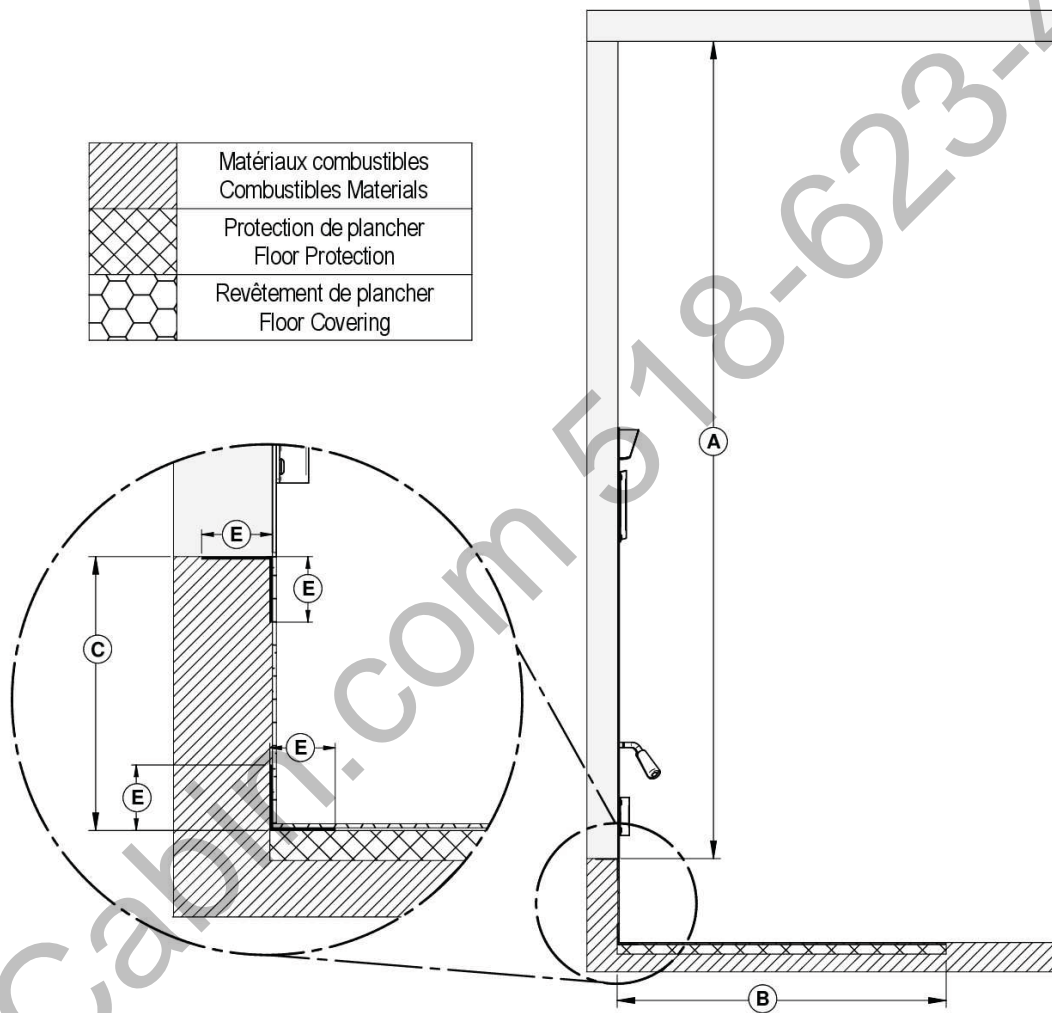


	MINIMUM MEASUREMENTS
A	80" (2032 mm)
B	16" (406 mm)
C	4" (102 mm) or less
E	2" (51 mm)

	Matériaux combustibles Combustible Materials
	Protection de plancher Floor protection
	Revêtement de plancher Floor covering

OPTION #3 - INSTALLATION RAISED MORE THAN 4" FROM FLOOR

- When the fireplace is installed on a raised base of more than 4 inches (**C**), non-combustible floor protection must be used. No R value is required. The non-combustible hearth extension floor area must extend at least 16" (406 mm) (**B**) in front of the hearth.
- The upper and lower angle, for the full width of the floor protection, must be protected 2" horizontally and 2" vertically (**E**) by a bent and continuous piece of sheet metal (not included). Apart from these two corners, the sheet metal does not have to cover the rest of the wall between the base of the fireplace and the floor.
- An 80" clearance between the fireplace base and the ceiling (**A**) must be respected.



	MINIMUM MEASUREMENTS
A	80" (2032 mm)
B	16" (406 mm)
C	More than 4" (102 mm)
E	2" (51 mm)

	Matériaux combustibles Combustible Materials
	Protection de plancher Floor protection
	Revêtement de plancher Floor covering

R CALCULATIONS

The use of an R value is convenient when more than one material is going to be used in the hearth extension to cover the combustible surface. This is because R values are additive, whereas K values are not. To find the corresponding R factor to use for some selected materials, please see **Table 1: Thermal Characteristics of Common Floor Protection Materials** table.

There are two ways to calculate the R factor of the floor protection. First, by adding the R-values of the proposed materials or if some K and thickness values are given, by converting them to R values.

To calculate the R factor for a composite floor protection made of a combination of alternative materials, simply add the R-values of those materials. If the result is equal to or larger than the required R value, the combination is acceptable. For R-values of some selected materials, see **Table 1: Thermal Characteristics of Common Floor Protection Materials**.

Example: If the required floor protection R is equal or higher than 1.00. Proposed materials: four inches of brick and one inch of Durock® board:

Four inches of brick ($R = 4 \times 0.2 = 0.8$) + 1 inch of Durock® ($R = 1 \times 0.52 = 0.52$). $0.8 + 0.52 = 1.32$.

This R value is larger than the required 1.00 and is therefore **acceptable**.

In the case of a known K and thickness of alternative materials to be used in combination, convert all K values to R by dividing the thickness of each material by its K value. Add the R values of your proposed materials as shown in the previous example.

In the previous example: Four inches of brick ($K = 4/5 = 0.8$) + 1 inch of Durock® ($R = 1 / 1.92 = 0.52$). $0.8 + 0.52 = 1.32$.

Table 1: Thermal Characteristics of Common Floor Protection Materials*

MATERIAL	CONDUCTIVITY (k) PER INCH	RESISTANCE (R) PER INCH THICKNESS
Micore® 160	0.39	2.54
Micore® 300	0.49	2.06
Durock®	1.92	0.52
Hardibacker®	1.95	0.51
Hardibacker® 500	2.3	0.44
Wonderboard®	3.23	0.31
Cement mortar	5.00	0.2
Common brick	5.00	0.2
Face brick	9.00	0.11
Marble	14.3 – 20.00	0.07 – 0.05
Ceramic tile	12.5	0.008
Concrete	1.050	0.950
Mineral wool insulation	0.320	3.120
Limestone	6.5	0.153
Ceramic board (Fibremax)	0.450	2.2

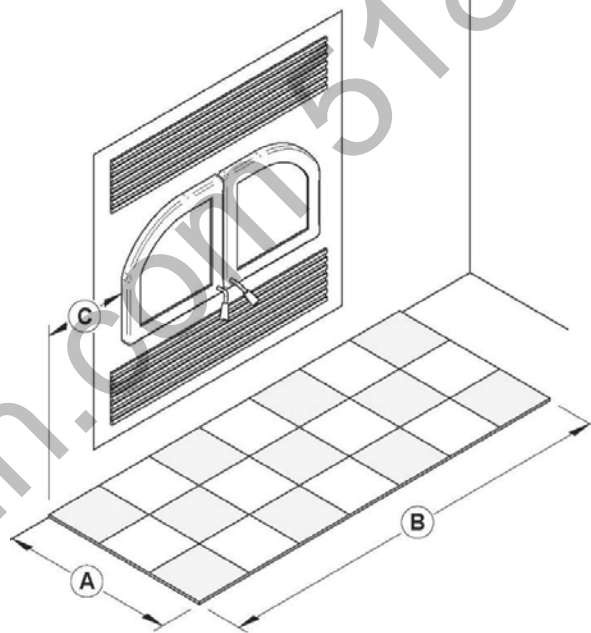
* Information as reported by manufacturers and other resources.

6.3.6 MINIMUM HEARTH EXTENSION REQUIREMENTS

Option	Installation type	R factor required	A	B	C
#1	Directly on the floor	Yes (1.00)	16" 406mm	41-1/2" 1054mm	8" 203mm
#2	Installation raised 4" or less from floor	Yes (1.00)	16" 406mm	41-1/2" 1054mm	8" 203mm
#3	Installation raised more than 4"	No	16" 406mm	41-1/2" 1054mm	8" 203mm

For whether installation, the hearth extension floor area must extend at least 8" (203 mm) on each side of the door opening (**C**). The joint between the hearth extension and the fireplace hearth needs to be made of a piece sheet metal (not included).

The floor protection must be a continuous (grouted joints) non-combustible material such as ceramic tile*, cement board, brick, millboard or equivalent, or any other approved or listed material suited for floor protection. Note that any type of tile will require a continuous non-combustible sheet beneath to prevent the possibility of embers falling through to the combustible floor if cracks or separation should occur in the finished surface. Check local codes for approved alternatives.



CAUTION

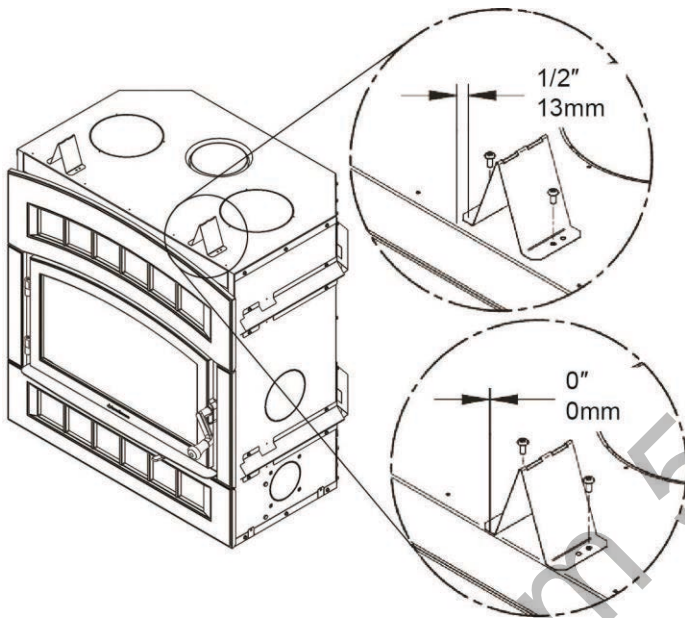
DO NOT LEAVE CARPET UNDER THE FLOOR PROTECTION IN FRONT OF THE FIREPLACE.

6.3.7 FRAMING CONSTRUCTION

FRAMING

The construction of the framing, facing, and mantel must be in accordance with the standards and the following illustrations:

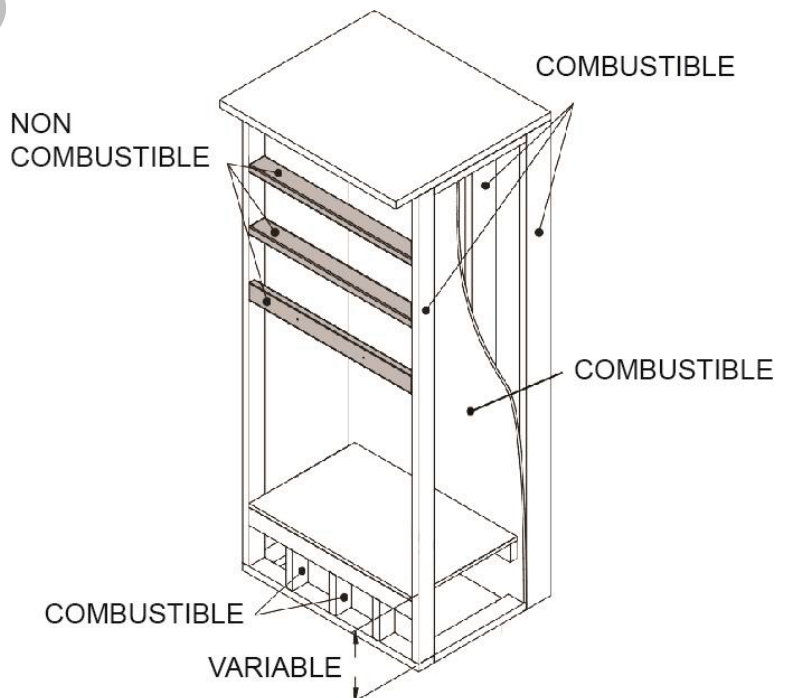
Frame the sides and back of the fireplace using 2" x 3" (5 cm x 8 cm) or heavier lumber. However, the front studs as well as headers on top of the fireplace must be of a depth no more than the depth of the top standoffs. The standoffs can be installed either flush with the fireplace or setback of 1/2" depending on the thickness of the finishing material used.



Frame the fireplace with vertical studs at the sides of the fireplace running from floor to ceiling. Position the studs back from the front edge of the fireplace, a space the thickness of the facing material so that the facing can be installed flush with the fireplace facing. Frame headers between the vertical studs only as follows:

Place the front facing headers in 2" x 3" or of a depth no more than the depth of the top standoffs. Do not put wood or any material within the area above the fireplace.



Place headers only as required to support the facing and mantel.

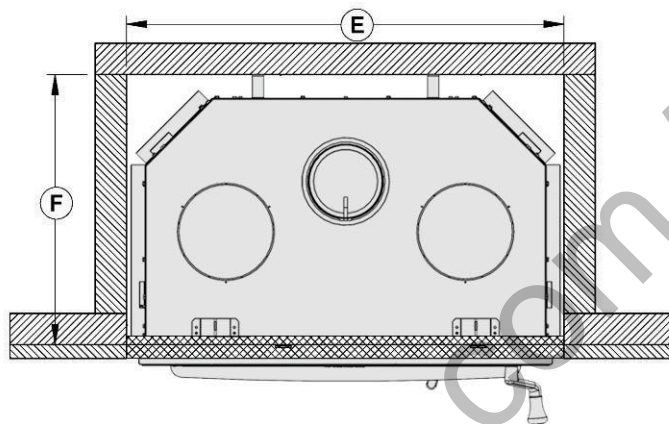


WARNING

- DO NOT PACK REQUIRED AIR SPACES WITH INSULATION OR OTHER MATERIAL.
- THE FIREPLACE MUST NOT BE IN CONTACT WITH ANY INSULATION OR LOOSE FILLING MATERIAL. COVER THE INSULATION WITH DRYWALL PANELS AROUND THE FIREPLACE.
- COMBUSTIBLE FRAMING MATERIAL CANNOT BE USED IN THE SPACE DIRECTLY ABOVE THE FIREPLACE. THIS AREA MUST REMAIN EMPTY FOR A HEIGHT OF 80" (2032mm) MEASURED FROM THE BASE OF THE FIREPLACE.

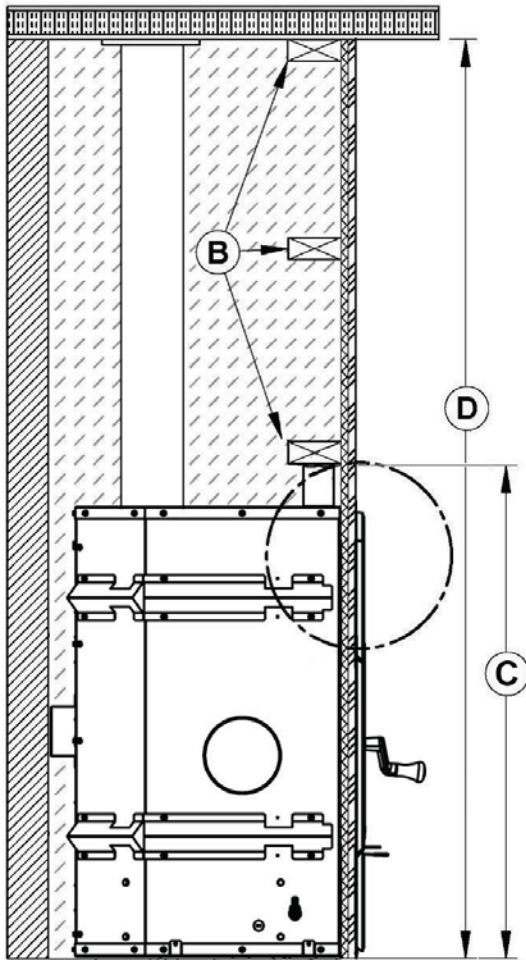
LEGEND

	Combustible material allowed in this area
	Non-combustible material only in this area






MEASUREMENTS

	MEASUREMENTS
E	37 3/4" (95,3 cm)
F	23 7/8" (60,6 cm)



B	NON COMBUSTIBLE FRAMING (STEEL STUD)
----------	--------------------------------------

CLEARANCE	
C	40-5/8" (103,2 cm)
D	80" (203,2 cm)

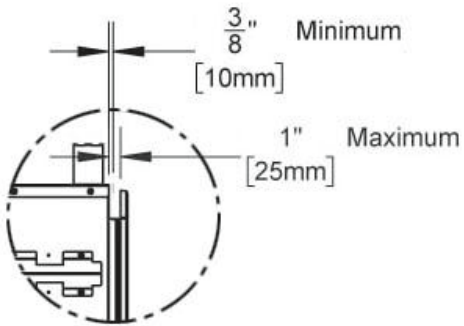
-  This section must remain empty
-  Non combustible material such as cement board
-  Finishing material

Refer to the building code or the local code for regulations concerning the need to install finishing material inside the chase around the fireplace.

NOTE

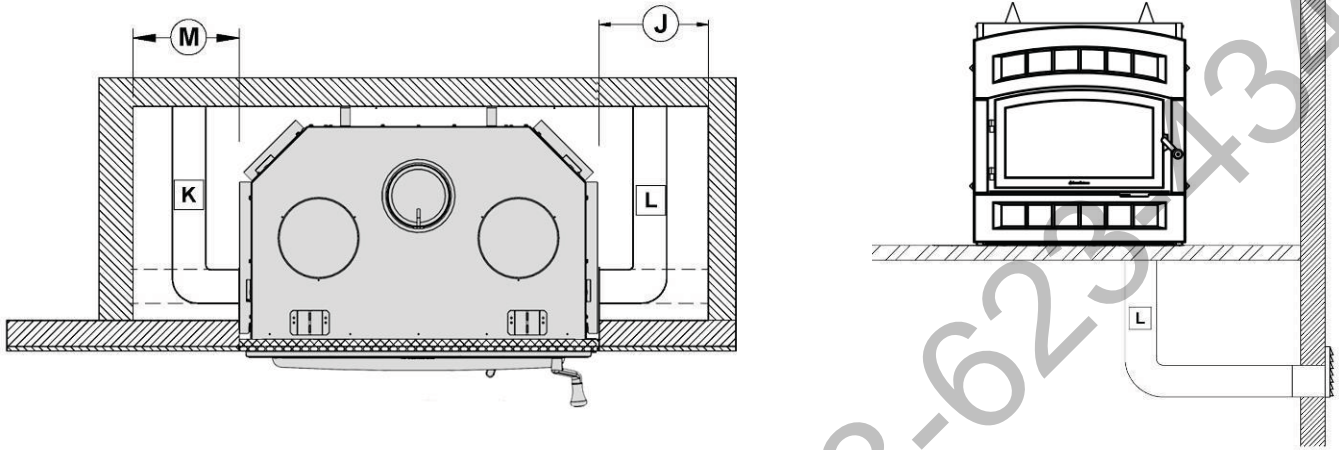
THIS FIREPLACE IS BUILT IN ORDER TO MAINTAIN A 3/8" GAP MINIMUM BETWEEN THE FIREPLACE AND THE FACEPLATE.

IT IS RECOMMENDED TO HAVE THE NON COMBUSTIBLE MATERIAL FLUSH WITH THE FIREPLACE.



FRAMING when installing a fresh air intake kit or a forced air kit

- See **Appendix 3: Installing the Fresh Air Intake Kit** for installation instructions of a fresh air intake kit (L).
- See Appendix 6 – Forced Air Distribution kit (94-57110) for more details on installation.



Refer to the building code or the local code for regulations concerning the need to install finishing material inside the chase around the fireplace.

CAUTION

- **FLEXIBLE PIPE IN THE FRAMING ENCLOSURE MUST NOT BE WITHIN STANDOFFS.**

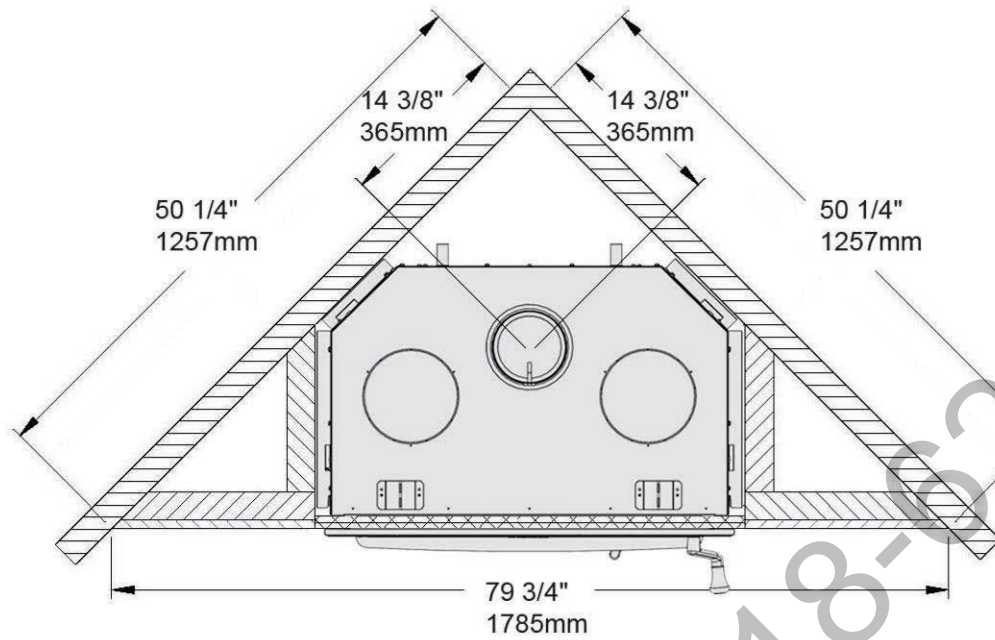
	MINIMUM MEASUREMENTS FOR FRESH AIR INTAKE (L)*	MINIMUM MEASUREMENTS FOR FORCED AIR KIT (K)*
J	12" (305 mm)	
M		18" (457 mm)

- * The fresh air intake kit may be installed on the right side and/or at the bottom of the fireplace. Forced air distribution kit may be installed on either sides of the fireplace.
- Framing dimensions are for reference only. These measurements are recommended to prevent the ducts from being inside the standoff or have too tight duct curves. Smaller dimensions can be used depending on the size and type of duct as well as the configuration of the installation.
 - Forced air duct: HVAC duct, as per ULC S110 or UL 181, class 0 or class 1, must withstand temperatures up to 250oF.

CAUTION

- **VALUES (M) AND (N) ARE MINIMUM MEASUREMENTS. THEY MAY NEED TO BE INCREASED TO ALLOW INSTALLATION OF A FRESH AIR INTAKE KIT OR FORCED AIR KIT, OR DEPENDING ON THE FINISH MATERIAL USED.**

FRAMING FOR A CORNER INSTALLATION



Framing configuration should be used as a reference only. If a finishing material is installed inside the enclosure, its thickness must be added to the following measurements. Refer to the building code or the local code for regulations concerning the need to install finishing material inside the chase around the fireplace.

These values are minimum measurements and may need to be increased to allow the installation of the fresh air intake, the forced air distribution kit or the type of finishing material used.

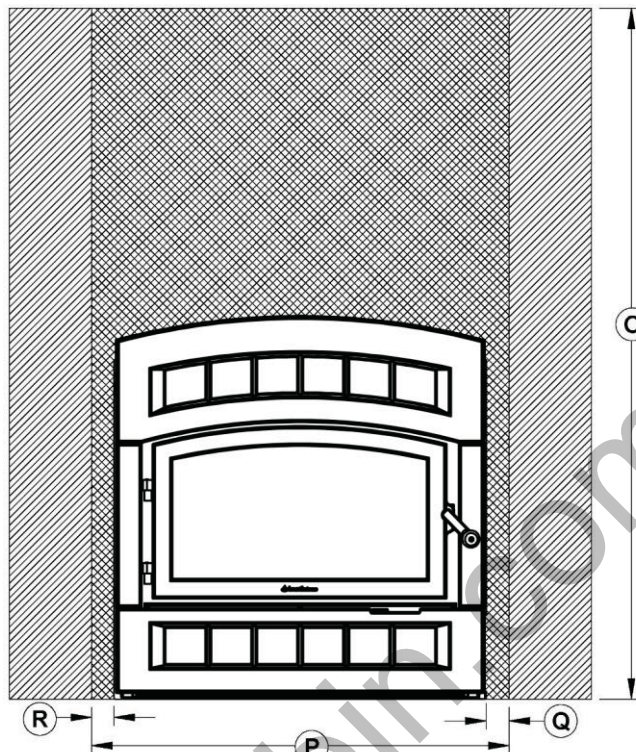
6.3.8 FACING

Materials directly in the front of the fireplace, must be non-combustible and have the minimum dimensions shown on the following figure.

Non-combustible materials such as brick, stone or ceramic tile may project in front of and onto the fireplace decorative frame.

CAUTION

- **MATERIALS MUST BE INSTALLED SO THAT THE FACEPLATE MAY BE REMOVED AFTER THE INSTALLATION. THE FACEPLATE IS DESIGNED TO OVERLAP THE MATERIAL SURROUNDING THE FIREPLACE. IF THE MATERIAL IS THICKER, USE A FACEPLATE GAUGE FOR POSITIONING AND MAKE SURE THAT THE FACEPLATE CAN BE REMOVED AFTER IT HAS BEEN INSTALLED.**



MEASUREMENTS	
O	80" (2032mm)
P	38 1/2" (978mm)
Q	1 1/2" (38 mm)
R	1 1/2" (38 mm)

LEGEND	
	Combustible material allowed in this area
	Non-combustible material only in this area

6.3.9 INSTALLATION OF A COMBUSTIBLE SHELF

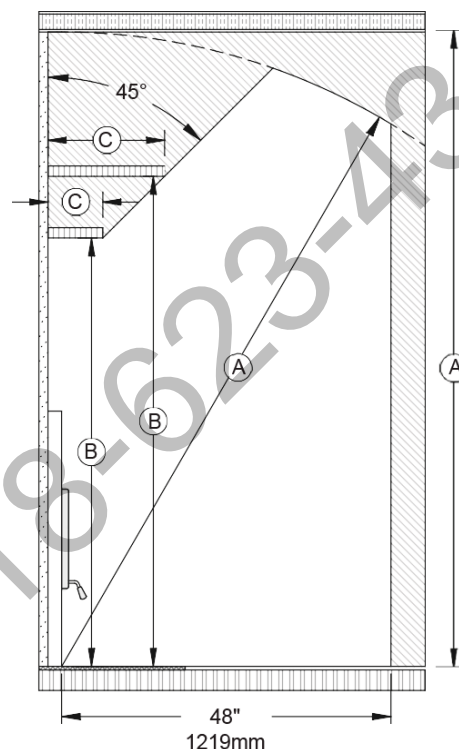
A combustible shelf with a depth of 6" (152 mm) (C) can be installed at least 58" (1,47 m) (B) from the base of the fireplace.

Different shelf sizes are listed in the following table.

POSITIONING AND DEPTH OF THE SHELF	
B	C
58" (1,47 m)	6" (152 mm)
60" (1,52 m)	8" (203 mm)
62" (1,58 m)	10" (254 mm)
64" (1,63 m)	12" (305 mm)

For a shelf dimension that does not appear in the table, add 52" (1,32 m) to the depth of the shelf to find the safe position of the shelf. The height

(A) should always be 80" (2.03 m) from the base of the fireplace.



6.3.10 HEAT SHIELD FOR COMBUSTIBLE SHELF

It is possible to reduce the minimum height required between the floor and a combustible shelf by installing an optional heat shield. The chart below indicates shelf height and depth with a heat shield.

POSITIONING AND DEPTH OF THE SHELF WITH HEAT SHIELD	
B	C
50" (1,27 m)	6" (152 mm)
52" (1,32 m)	8" (203 mm)
54" (1,37 m)	10" (254 mm)
56" (1,42 m)	12" (305 mm)

6.3.11 INSTALLATION OF A NONCOMBUSTIBLE SHELF

It is possible to install a non-combustible shelf above the fireplace. It must be installed at least 48" (1,22 m) from the base of the fireplace, regardless of the depth of the shelf.

WARNING: The shelf will be hot. Do not put combustible materials on the shelf

7 THE VENTING SYSTEM

7.1 GENERAL

The venting system, acts as the engine that drives your wood heating system. Even the best fireplace will not function safely and efficiently as intended if it is not connected to a suitable chimney.

The heat in the flue gases that pass from the fireplace into the chimney is not waste heat. This heat is what the chimney uses to make the draft that draws in combustion air, keeps smoke inside the fireplace and safely vents exhaust to outside. You can think of heat in the flue gas as the fuel the chimney uses to make draft.

7.2 SUITABLE CHIMNEYS

Your wood fireplace will provide optimum efficiency and performance when connected to a 6-inch diameter chimney.

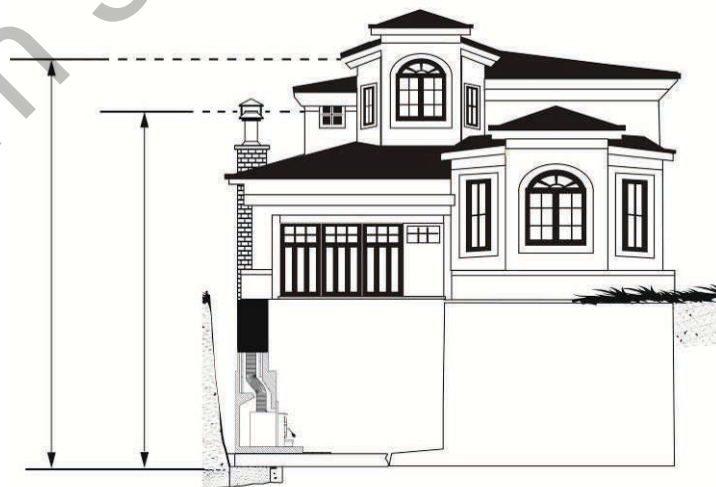
7.3 THE RELATIONSHIP BETWEEN THE CHIMNEY AND THE HOUSE

Because the venting system is the engine that drives the wood heating system, it must have the right characteristics. The signs of bad system design are cold back drafting when there is no fire in the fireplace, slow kindling of new fires, and smoke roll-out when the door is opened for loading.

7.3.1 WHY THE CHIMNEY SHOULD PENETRATE THE HIGHEST HEATED SPACE

When it is cold outside, the warm air in the house is buoyant so it tends to rise. This tendency of warm air to rise creates a slight pressure difference in the house. Called 'stack effect', it produces a slightly negative pressure low in the house (relative to outside) and a slightly positive pressure zone high in the house. If there is no fire burning in a heater connected to a chimney that is shorter than the warm space inside the house, the slight negative pressure low in the house will compete against the desired upward flow in the chimney.

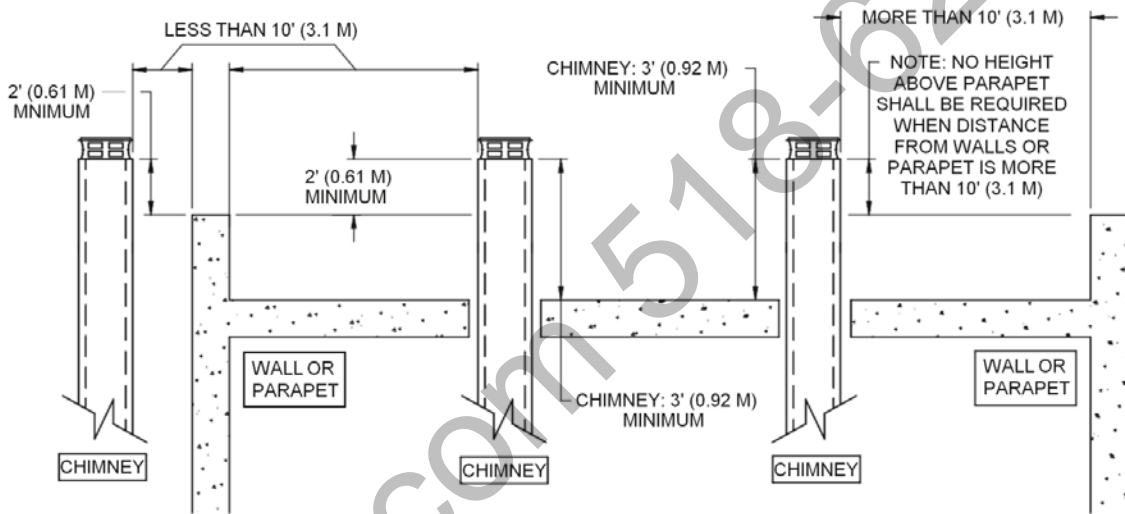
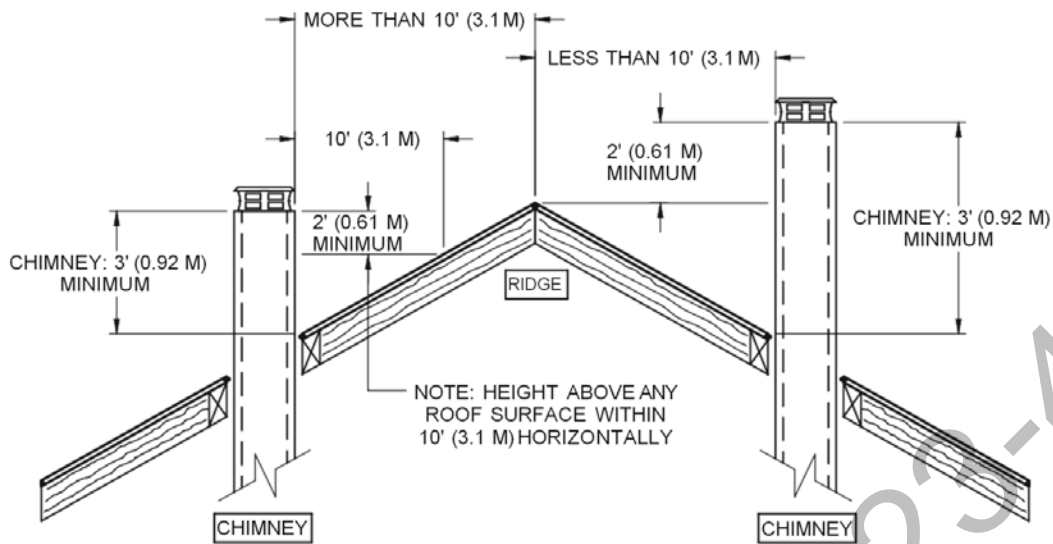
There are two reasons why the chimney in the house at right will cold backdraft when it is cold outside and there is no fire burning in the fireplace. First, the chimney runs up the outside of the house, so the air in it is colder and denser than the warm air in the house. And second, the chimney is shorter than the heated space of the house, meaning the negative pressure low in the house will pull outside air down the chimney, through the fireplace and into the room. Even the finest fireplace will not work well when connected to this chimney.



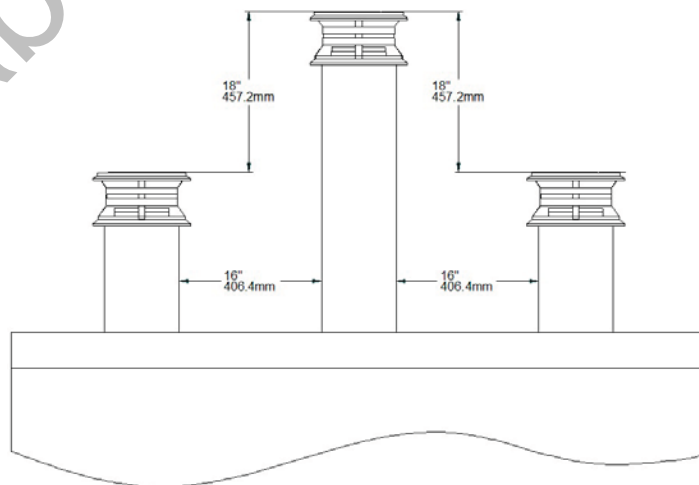
7.4 CHIMNEY INSTALLATION NOTES

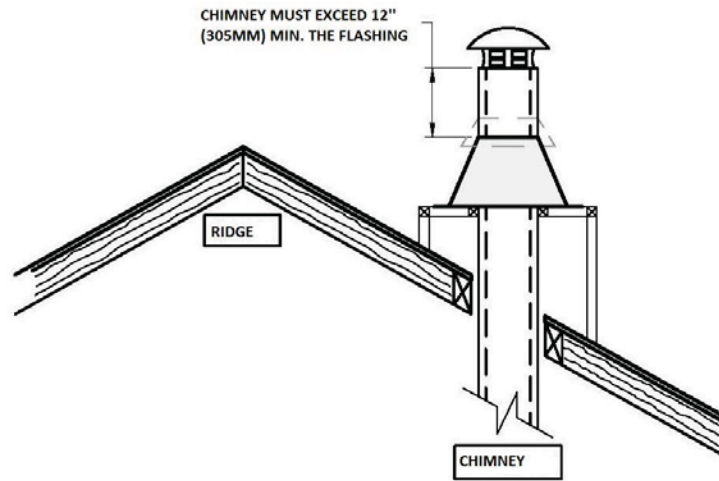
- If possible, install an interior chimney as it will provide better performance. In areas with continuous temperatures below -18°C (0°F), the use of an exterior chimney increases the likelihood of operating problems such as low draft, high rate of creosoting, and poor start-up characteristics. Exterior chimneys are also prone to down-drafting and flow reversal. Installations, which are located on lower floors in the house, such as in a basement, in combination with outside chimney, are especially prone to flow reversal.
- The WFP-75 is listed only with chimney systems described in **Table 3**.
- A chimney venting a fireplace shall not vent any other appliance.

- The minimum chimney system height for a straight installation is 15 ft. (4.6 m) from the base of the appliance to the chimney cap. If only the minimum height of the chimney system is installed, the operating conditions must be optimal.
- All chimney installations must include at least one support. Reducing the amount of chimney weight on the fireplace will help avoid the noise created when the fireplace expands. This can be achieved by having the chimney supported by the supports. The maximum chimney length that should be supported by the fireplace is 9 ft. (2.75 m) for 2" Solid Pack Chimney and 12 ft. (3.7 m) for 1" Solid Pack Chimney.
- The chimney must extend at least 3 ft. (92 cm) above its point of contact with the roof and at least 2 ft. (61 cm) higher than any wall, roof or building within 10 ft. (3.1 m) of it. See the figures on point 11 below to determine the configuration that applies to your roof (flat or sloped roof and the distance between the chimney and the highest point of the roof and/or the nearest chimney).
- Deviations should be avoided whenever possible, especially the most pronounced. Each deviation adds some restriction to the chimney system and may lead to draft problems.
- To insure a good draft, it is recommended to have a length of 18" (457mm) from the top of the unit to the furthest offset. However, starting using a 30° or 45° (Canada Only) elbow is also approved.
- If the chimney extends higher than 5 ft. (1.5 m) above its point of contact with the roof, it must be secured using a roof brace.
- A rain cap must be installed on top of the chimney.
- Cut and frame square holes in all floors, ceilings, and roof that the chimney will go through to provide a 2" (50 mm) minimum clearance between the chimney and any combustible materials. Do not fill this 2" space with insulation or any other combustible material.
- Portions of the chimney which may extend through accessible spaces must be enclosed to avoid contact with combustible materials or damage the chimney.



- In all cases, the chimney must start with a 6 in diameter anchor plate attached to the fireplace.
- For installations where more than one chimney is located in the same non-chase or within the same area, we suggest that their terminations be separated by at least 16" (410 mm) horizontally, and 18" (460 mm) vertically. This separation is to prevent smoke migrating from one chimney to another.

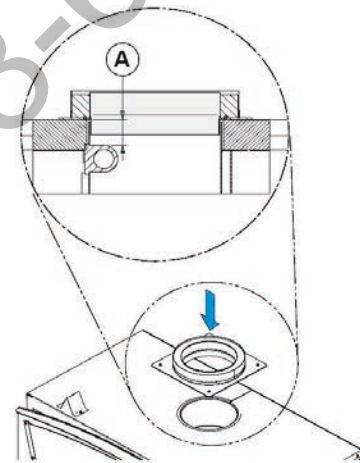




Note: The chimney chase on the roof must be the same size as the flashing.

WARNING

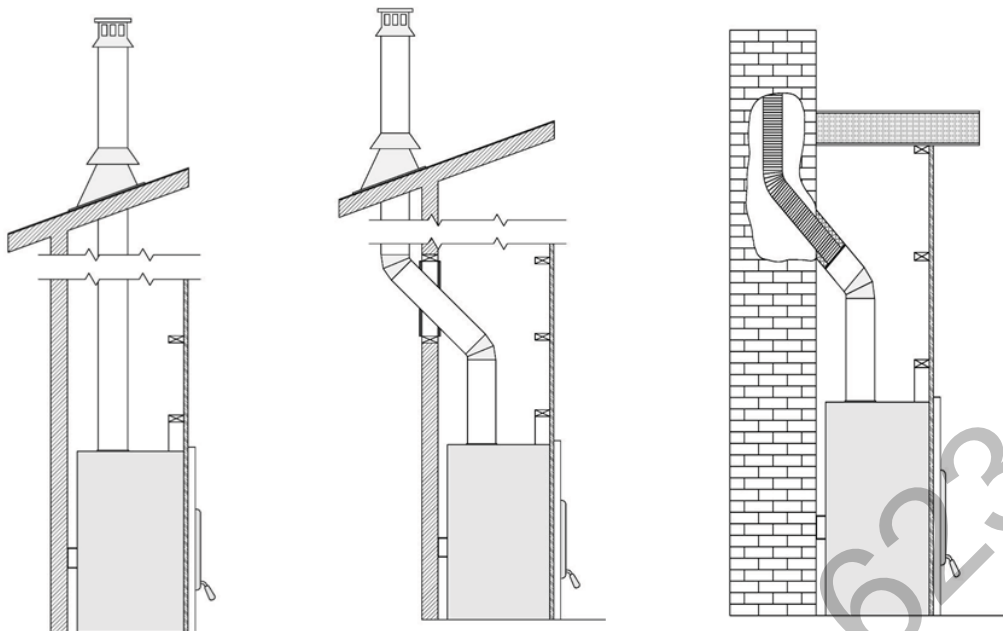
- IN EVERY CASE, THE CHIMNEY MUST START WITH A 6" DIAMETER ANCHOR PLATE SECURED TO THE FIREPLACE. (SOLD SEPARATELY).
- IF THE MALE NOZZLE (A) OF THE ANCHOR PLATE EXCEEDS 2" (51 MM) IN LENGTH (SEE IMAGE BELOW), IT SHALL BE CUT ABOVE THE LIFTING HOOKS WELDED TO THE INSIDE OF THE FLUE OUTLET SO THAT THE ANCHOR PLATE RESTS PERFECTLY ON TOP OF THE FIREPLACE.
- IF THE FLUE OUTLET IS CUT ONLY AROUND THE HOOKS, MAKE SURE THAT THE FLUE DAMPER MECHANISM WORKS PROPERLY BEFORE CLOSING THE WALLS.



7.5 CHIMNEY INSTALLATION INSTRUCTIONS

Always refer to the chimney manufacturer's Installation manual to ensure a safe installation. Some non-illustrated parts may be required.

7.5.1 EXAMPLES OF TYPICAL CHIMNEY INSTALLATION



Straight Installation

Exterior offset installation

Connection to a masonry chimney

7.5.2 INSTALLATION INSTRUCTIONS

WARNING

- THE STRUCTURAL INTEGRITY OF THE FLOOR, WALL, AND CEILING/ROOF MUST BE MAINTAINED.
- THE FLOOR AND WALLS BELOW THE ATTIC MUST BE INSULATED USING THE SAME INSULATION.

1. Cut and frame the holes in the ceiling, floor and roof where the chimney will pass. Use a plumb bob to line up the center of the holes. Make sure that the size of the floor and ceiling holes are in accordance with the chimney manufacturer's instructions.
2. From below, install a firestop (**B**) in each ceiling/floor separation through which the chimney will pass. At the attic level, install an attic radiation shield from above (**D**).
3. Follow the chimney's manufacturers' instructions and place the first chimney length on the fireplace. For all chimneys, you must use an anchor plate (**A**) before installing the first chimney length. Continue installing chimney lengths making sure to lock each length in place

4. Cut and frame square holes in all floors, ceilings, and roof that the chimney will go through (**C**) to provide a 2" (50 mm) minimum clearance between the chimney and any combustible materials. Do not fill this space with insulation or any other combustible material.
5. Every time the chimney passes through a ceiling or a wall, install the appropriate firestop (**B**). When you reach the desired height, install the roof support (not shown). (Refer to instructions included with the support).
6. Then, put the roof flashing (**E**) in place and seal the joint between the roof and the flashing with roofing pitch. For sloping roofs, place the flashing under the upper shingles and on top of the lower shingles. Nail the flashing to the roof, using roofing nails.
7. Place the storm collar (**F**) over the flashing, and tighten it with the bolt supplied. Finally, seal the joint between the storm collar and the chimney, using silicone caulking.
8. Install the chimney cap (**G**).
9. When a ventilated roof flashing is installed, precautions are to be taken not to caulk or seal the ventilating openings.

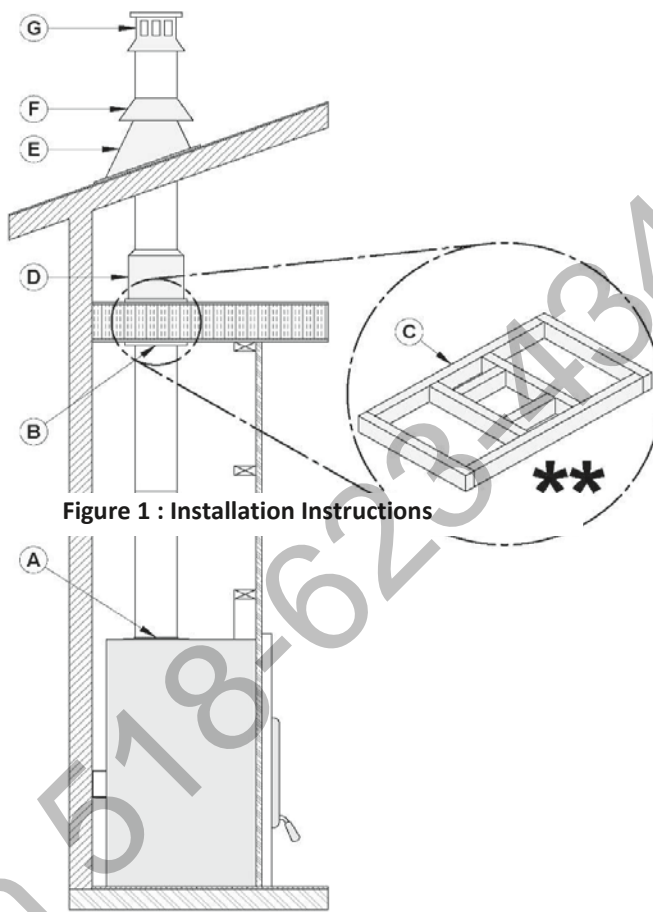
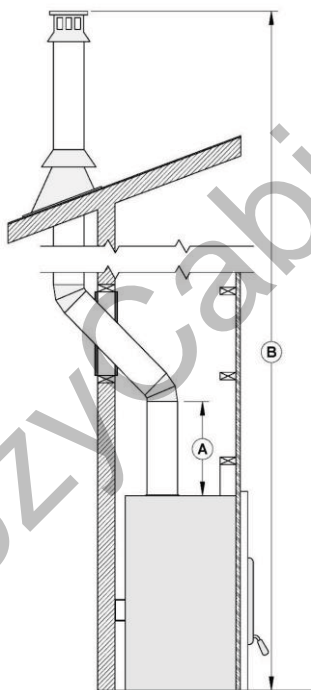


Figure 1 : Installation Instructions

7.5.3 OFFSET CHIMNEY INSTALLATION



A	To insure a good draft, it is recommended to have a length of 18 inches from the top of the unit to the first offset. However, starting using a 30° or 45° elbow is also approved.
B	Mandatory measure of 15 ft. from the bottom of the fireplace to the top of the outside chimney.

TABLE 2 - MINIMUM SYSTEM HEIGHT WHEN USING ELBOWS

Fireplace model	WFP-75
Chimney model	All models (see TABLE 3)
Vertical installation	15 ft. (4.6 m)
Two (2) elbows	15 ft. (4.6 m)
Four (4) elbows	17 ft. (5.2 m)

After reaching the location requiring the elbow, proceed as follows:

1. To insure a good draft, it is recommended, to have a length of 18 inches (457 mm) from the top of the unit to the first offset. Install the first elbow; turn it in the required direction. Secure it to the chimney according to the chimney manufacturer's instructions. In many cases, it is recommended to secure connections with three (3) ½" (12 mm) metal screws.
2. Install the necessary chimney lengths to achieve the required offset. Lock the chimney lengths together according to the chimney manufacturer's instructions. In many cases, it is recommended to use three (3) ½" (12 mm) metal screws. If the offset length is made of two (2) chimney lengths or more, many chimney manufacturers may require that you use an offset or roof support halfway up the offset. If penetrating a wall, install a wall radiation shield supplied by the chimney manufacturer.
3. Use another elbow to turn the chimney vertically. Secure the elbow.
4. Use a plumb bob to line up the centre of the hole. Cut a hole for the chimney in the ceiling/floor. Frame this hole as described previously.
5. From below, install a firestop supplied by the chimney manufacturer.
6. A support must be used on the first 15' section (4.6 m).
7. Continue with the regular installation.

7.5.4 INSTALLATION INSTRUCTIONS FOR MASONRY APPLICATION

WARNING

BEFORE STARTING THE INSTALLATION, THE MASONRY CHIMNEY MUST BE INSPECTED BY A QUALIFIED CHIMNEY SWEEPER.

The following requirements must be respected:

1. The chimney must be absolutely clear of any soot residue or creosote. Check for cracks, loose or missing bricks that could inhibit correct installation of the liner.
2. The clearance to combustible must be a minimum of 1" between the outside of the masonry and any wood framing or loose insulation.
3. The chimney must be built in accordance with the current building code.
4. No other appliance can be connected to the same chimney.

NOTE

- **THE CHIMNEY MUST BE RELINED WITH A STAINLESS STEEL LINER OF THE SAME DIAMETER AS THE OUTLET OF THE FIREPLACE.**
- **FOR CONNECTION AT 30° OR 45° ANGLE (30° OR 45° IN CANADA AND 30° ONLY IN THE USA), A SPECIAL CONNECTOR MUST BE USED TO CONNECT THE LINER TO THE INSULATED CHIMNEY. VERIFY AVAILABILITY AND INSTALLATION INSTRUCTIONS FOR THIS CONNECTOR WITH THE CHIMNEY MANUFACTURER.**

7.5.5 INSTALLATION INSTRUCTIONS

Position the fireplace in its location. Temporarily install the elbow or chimney section **(A)** on the top of the fireplace and, using a level, mark with an oval the location where the flue liner will enter the masonry chimney.

In the middle of the oval, drill a hole in the masonry chimney at 45° or 30°.

Increase the size of the hole until a 45° or 30° insulated liner adapter (B) can be easily slipped through.

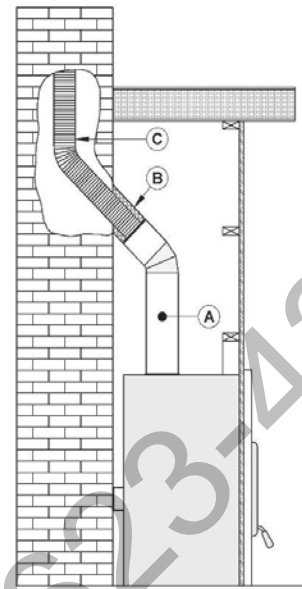
Slide the liner (C) down from the top of the masonry chimney until you reach the hole level.

Slip through the hole a 45° or 30° insulated liner adapter and connect it to the liner.

Seal the opening around the liner with high temperature refractory cement.

Then, follow the chimney manufacturer's instructions to connect the extended liner section to the special chimney connector.

Note: Make sure the liner exceeds at least 12" (30 cm) the top of masonry chimney.

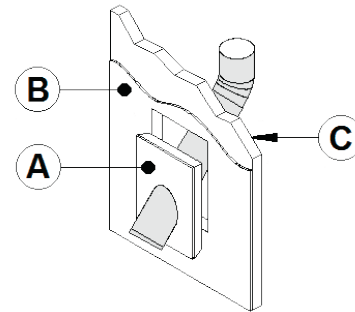


7.6 ANGLED WALL RADIATION SHIELD

When passing through a combustible wall with the chimney at a 30° or 45° angle (30° or 45° in Canada and 30° only in the USA), an angled firestop or wall radiation shield provided by the chimney manufacturer must be installed. Only one is required. Follow the chimney manufacturer's installation instructions.

In cold climate locations, it is recommended that you use the insulated wall radiation shield since it will maintain the home's thermal barrier.

A	INSULATED WALL RADIATION SHIELD
B	GYPROCK
C	INSULATED WALL



7.7 CHIMNEY SUPPORT INSTALLATION

7.7.5 UNIVERSAL ROOF SUPPORT

This support has three possible uses:

1. It must be used on a roof to support the chimney.
2. It may be used on a floor, ceiling or roof above an offset to support the chimney above the offset.
3. It may be used on a floor, ceiling or roof as a supplementary support.

For roof support installation, refer to the instructions provided with the support by the chimney manufacturer. Many manufacturers will provide the maximum height of chimney that can be supported by the support. Make sure you respect those parameters.

7.7.6 UNIVERSAL OFFSET SUPPORT

This support is used to support the chimney above an offset. When the chimney offset is used to pass through a wall, this support may be used on the wall to support the chimney. For offset support installation, refer to the instructions provided with the support by the chimney manufacturer. Many manufacturers will provide the maximum height of chimney that can be supported by the support. Make sure you respect those parameters.

TABLE 3 - LISTED CHIMNEYS FOR YOUR WFP-75

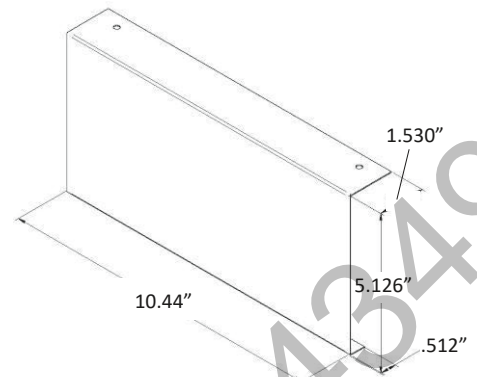
CHIMNEY MANUFACTURER	BRAND	TYPE	INNER DIAMETER
Selkirk	Ultra-Temp (UT)	1" Solid Pack	6" (15 cm)
Selkirk	Super Pro (SPR)	1" Solid Pack	6" (15 cm)
Selkirk	Super Vent (JSC)	1" Solid Pack	6" (15 cm)
Selkirk	Hart & Cooley (TLC)	1" Solid Pack	6" (15 cm)
Selkirk	Sure-Temp (ST)	1" Solid Pack	6" (15 cm)
Selkirk	CF Sentinel (CF)	2" Solid Pack	6" (15 cm)
Selkirk	Super Pro 2100 (ALT)	2" Solid Pack	6" (15 cm)
Selkirk	Super Vent 2100 (JM)	2" Solid Pack	6" (15 cm)
Selkirk	UltimateOne	1" Solid Pack	6" (15 cm)
Security Chimney	ASHT+	1" Solid Pack	6" (15 cm)
Security Chimney	S-2100 +	2" Solid Pack	6" (15 cm)
M&G DuraVent	Dura Tech	1" Solid Pack	6" (15 cm)
M&G DuraVent	Dura Tech Canada DTC	1" Solid Pack	6" (15 cm)
M&G DuraVent	Dura Plus HTC	2" Solid Pack	6" (15 cm)
M&G DuraVent	Dura Plus	AC Triple Wall	6" (15 cm)
ICC	Excel 2100	1" Solid Pack	6" (15 cm)
Metal Fab	Temp Guard	1" Solid Pack	6" (15 cm)
American Metal	HSS	AC Triple Wall	6" (15 cm)
American Metal	HS	AC Triple Wall	6" (15 cm)
Olympia Chimney	Ventis	1" Solid Pack	6" (15 cm)

TABLE 4 – LIST OF MANDATORY COMPONENTS

CHIMNEY MANUFACTURER	MANDATORY COMPONENTS	TYPE/BRAND
Olympia Chimney	<ul style="list-style-type: none"> Ventilated roof flashing. 	1" Solid Pack : Ventis
Selkirk	<ul style="list-style-type: none"> Ventilated roof flashing. 	1" Solid Pack : Ultra-Temp (UT), Super Pro (SPR), Super Vent (JSC), Hart & Cooley (TLC), Sure-Temp (ST)
Security Chimney	<ul style="list-style-type: none"> Requires insulated attic radiation shield unless chimney is enclosed at the attic level. 	1" Solid Pack : ASHT+ 2" Solid Pack : S-2100+
M&G DuraVent	<ul style="list-style-type: none"> Ventilated roof flashing. 	1" Solid Pack : Dura Tech, Dura Tech Canada DTC
ICC	<ul style="list-style-type: none"> Ventilated roof flashing. 	1" Solid Pack : Excel 2100
American Metal	<ul style="list-style-type: none"> Chimney cannot be enclosed at the attic level. 	AC Triple wall : HS AC Triple wall : HSS

7.7.7 RAFTER PROTECTION

Rafter protectors, at the roof level, must be installed with this unit, if the chimney is enclosed at the attic level. Rafter protectors must be made of 22 ga or more galvanized steel and must have at least the dimension presented on the following diagram:



7.8 SUPPLY OF COMBUSTION AIR

Legally, it is not mandatory to connect your fireplace to a fresh air intake unless it is required by the local code or the manufacturer. However, if you want to meet the Novo Climate or R2000 requirements, an external air intake will be required. The fresh air intake promotes proper combustion and prevents the risk of house depressurization. Although the external air supply is not a guarantee against the risk of smoke return caused by house depressurization, it will certainly minimize the risk.

NOTE

- IT IS STRONGLY RECOMMENDED TO INSTALL A MECHANICAL DAMPER TO CLOSE THE FRESH AIR INTAKE WHEN THE FIREPLACE IS NOT IN USE.
- IT IS STRONGLY RECOMMENDED TO INSTALL A CARBON MONOXIDE (CO) DETECTOR/ALARM IN THE ROOM WHERE THE FIREPLACE IS INSTALLED. THE CO DETECTOR WILL WARN YOU IF, FOR ANY REASON, THE WOOD FIREPLACE FAILS TO FUNCTION CORRECTLY.

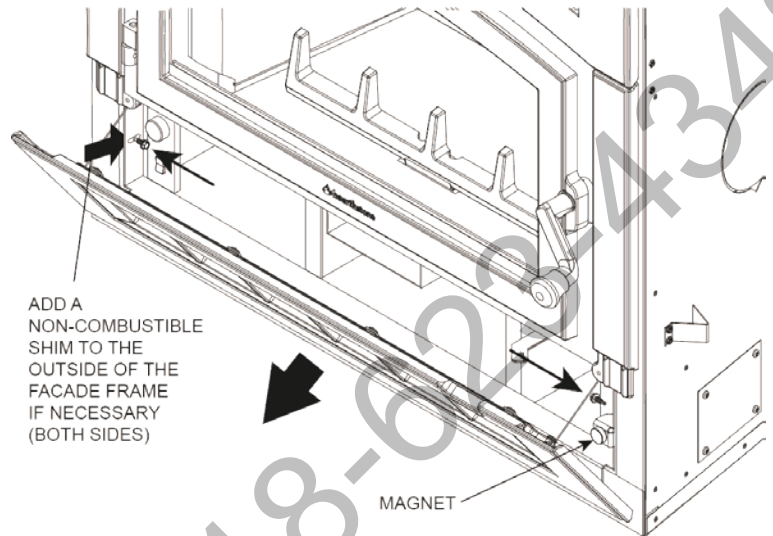
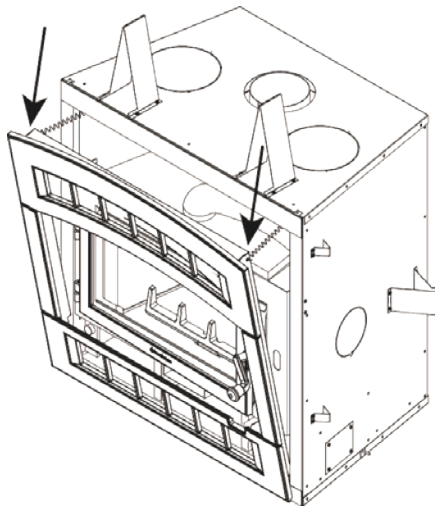
The easiest and most reliable supply of combustion air for your wood fireplace is from the room in which it is installed. The room air is already preheated so it will not cool the fire and its availability is not affected by the pressure of the wind on the house. However, the combustion of wood requires a large volume of air. It will take only a few hours to consume the equivalent of the entire volume of air contained inside your home. This air will be replaced by new cold air from outside either through tiny cracks in your home or via your air exchanger. It is strongly recommended to install an external air intake to increase your heating efficiency and to avoid consuming the preheated air you already paid for.

Some states or counties require that fireplace are connected to a fresh air intake. If you install a fresh air intake on an external wall, its pressure may vary in windy conditions. It would be therefore preferable not to install the air intake on a heavily windward wall. If you experience difficulties with your fireplace and you suspect strong winds as the source of the problem, a mechanical damper with help you diagnose and solve the problem. Check the outdoor air duct for soot deposits when the venting system is cleaned and inspected.

APPENDIX 1: REMOVAL AND INSTALLATION OF THE FACADE

Your WFP-75 ships with the facade installed on the front of the firebox. It is recommended that the facade be removed during installation of the fireplace to avoid damage to the facade and lighten the fireplace. Follow these instructions to remove and re-install the facade:

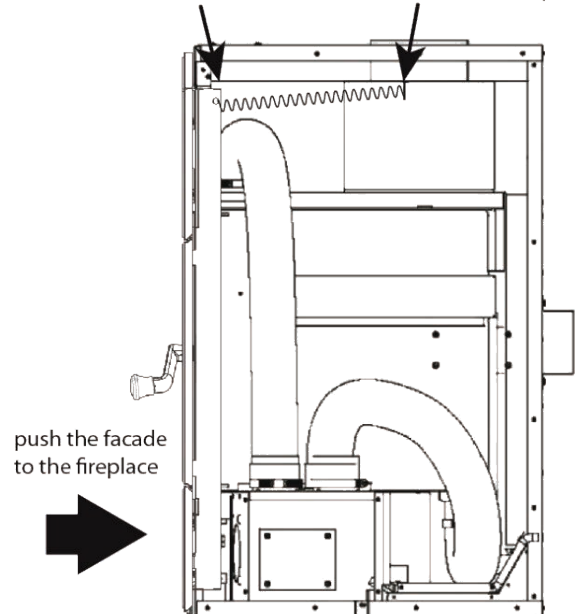
1. Open the blower door. It is held closed by a magnet on the right side of the frame. Two cables support the door in the open position.
2. Remove the two screws that secure the facade frame to the firebox. The close the blower door.



3. Pivot the facade forward at the top edge and detach the 2 springs from the holes in the facade frame.
4. Carefully lift the frame off of the fireplace, avoiding the door handle.
5. Follow the steps in reverse order to install the facade.
6. If you are planning to install a non-combustible facing material behind the facade, plan the depth of this material before securing the screws. The facade can be positioned to allow a facing material thickness between 3/8in (MINIMUM) and 1in (MAXIMUM).

Note that a non-combustible shim may be added to the outside of the facade frame if necessary to center the facade.

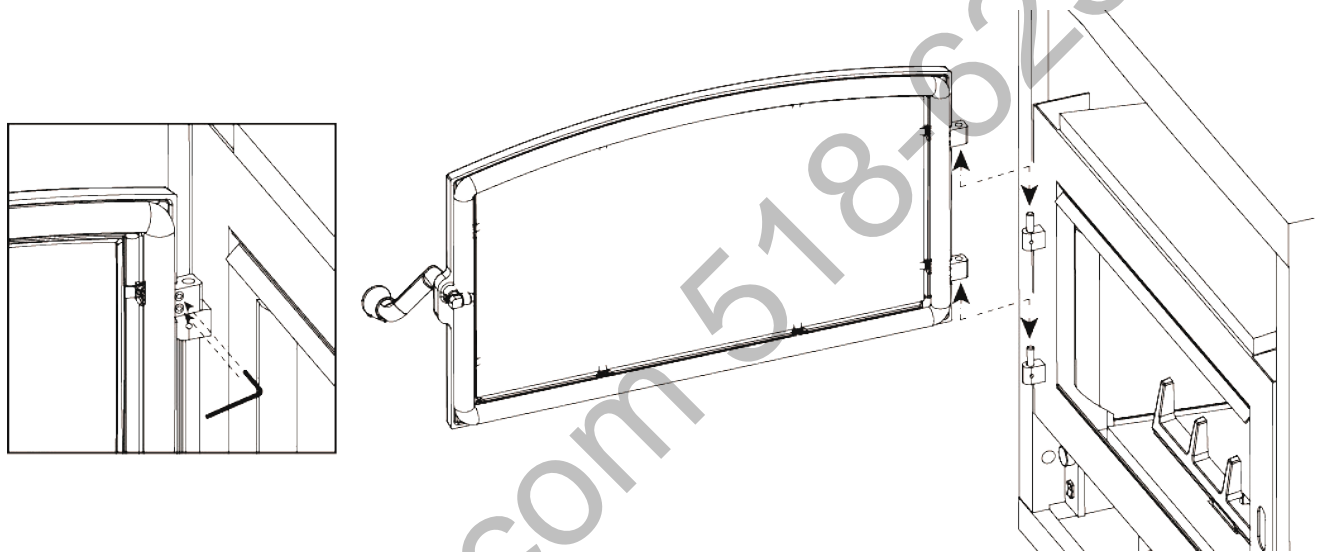
Attach the spring to the hole in the facade frame. Attach the spring to the tab in the fireplace.



APPENDIX 2: REMOVAL AND INSTALLATION OF THE DOOR

Your WFP-75 ships with the door installed on the front of the firebox. It had been tested for fit and seal at the factory. It is recommended that the door remain on the fireplace for installation. However, the door may be removed and re-installed to reduce risk of damage. It may also be removed to replace the gasket or glass. Follow these instructions to remove and re-install the door:

1. Remove the facade. The door cannot be removed without removing the facade.
2. Open the door and loosen the screws on the upper hinge of the door using the 5/32in hex wrench. Only loosen enough to make the hinge move slightly.
3. Gently lift the door off of the hinges.



To re-install the door, follow these steps in reverse order and tighten the screws of the upper door hinge.

Follow the instructions in sections 5.1.3, 5.1.4, and 5.1.5 of this manual to adjust the position and seal of the door when it is re-installed.

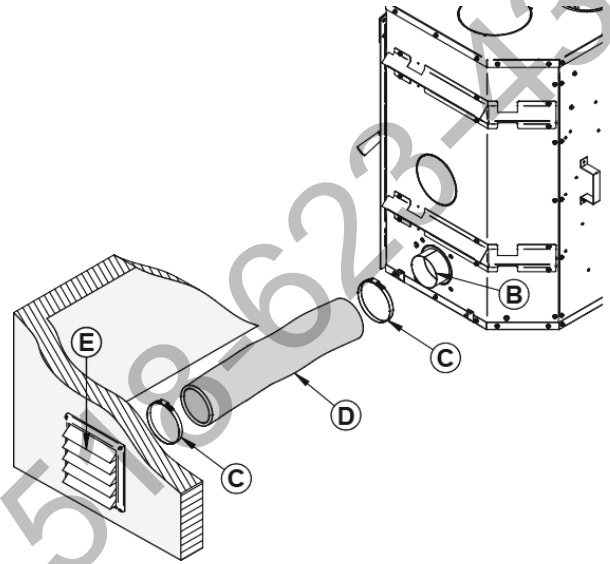
APPENDIX 3: INSTALLING THE FRESH AIR INTAKE KIT

During operation, the fireplace requires fresh air for combustion and draws air out of the house. It may starve other fuel burning appliances such as gas or oil furnaces. As well, exhaust fans may compete for air, causing negative pressure in the house, resulting in smoke entering the house from the fireplace. This situation is aggravated in modern airtight houses. To overcome this problem, we strongly recommend that you bring fresh air to the fireplace. **Check with local authorities having jurisdiction in your area, it may be mandatory.**

Fresh air intake kit installation

Follow these instructions to install a fresh air intake:

1. The insulated flexible pipe length (**D**) should be of sufficient length (at least 10 ft) and have a configuration to avoid condensation.
2. The outside wall termination (**E**) must not be installed :
 - At more than 50% of the total height of the chimney;
 - At more than 10 ft. (3 m) above the base of the fireplace;
 - At more than 3 ft. Below the base of the fireplace.
3. The fresh air must come from outside the house. The air intake must not draw air from the attic, from the basement, or from a garage.



The outside wall termination should be installed where it is not likely to be blocked by snow or exposed to extreme wind and away from automobile exhaust fumes, gas meter and other vents.

The insulated flexible pipe and the outside wall termination can be installed over or under the floor level.

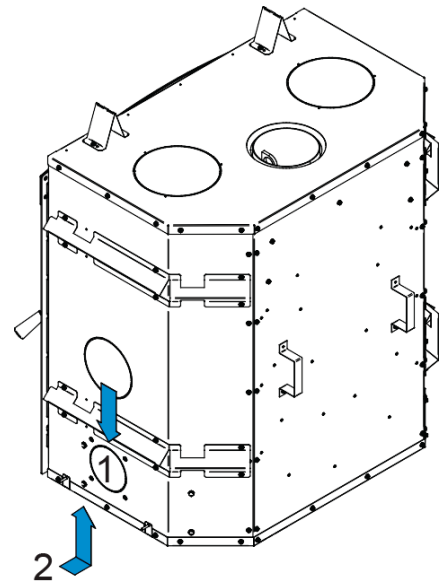
The following items are included with the fireplace:

- One (1) 4" (76mm) adaptor (B);
- One (1) air inlet block-off plate;
- Four (4) screws.

The following components are not included:

- A 4" insulated flexible pipe (**D**) (This HVAC type pipe must comply to ULC S110 and/or UL 181, Class 0 or Class 1 Standards and must withstand temperatures up to 250 °F.
- The outside wall termination (**E**).
- Adjustable clamps (2X) (**C**).

Note: Only remove the knock-out that will be connected to the fresh air inlet.



The fresh air intake kit may be installed on two different places on the fireplace.

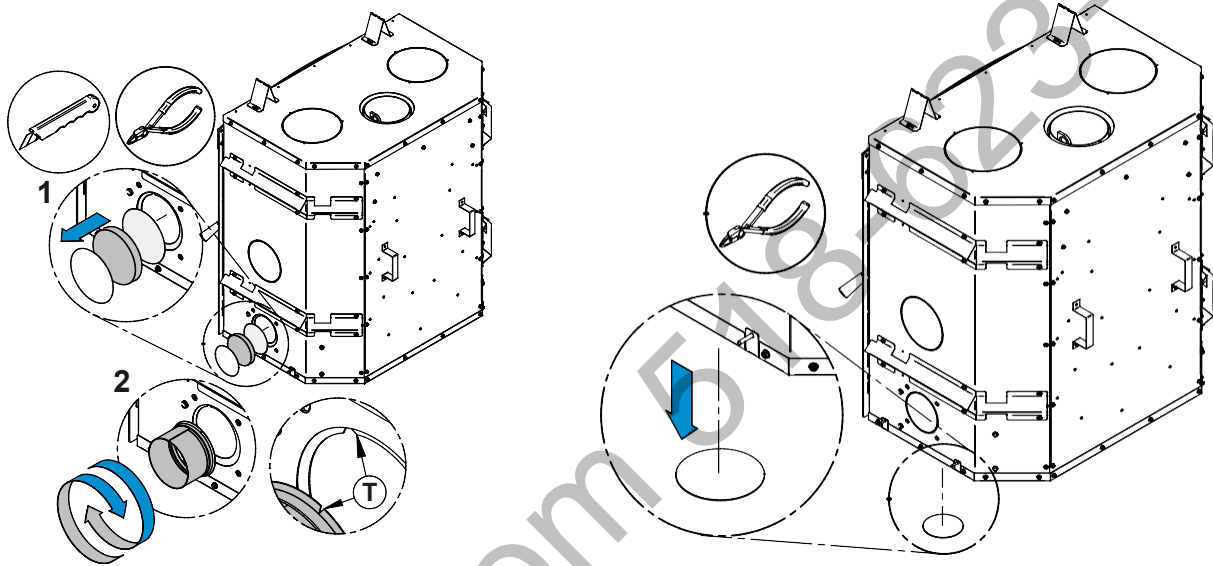
- On the right side of the appliance (most common).
- On the right side under the appliance.

Installation

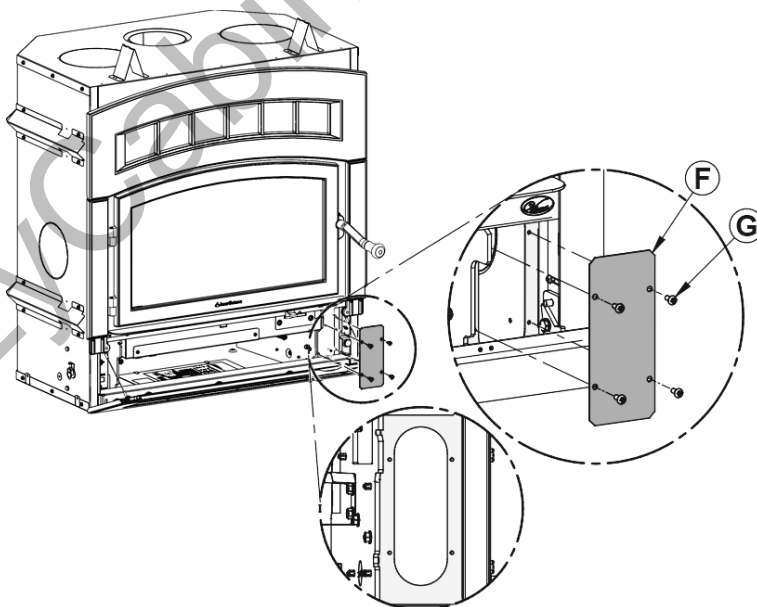


It is strongly recommended to wear gloves to complete the installation.

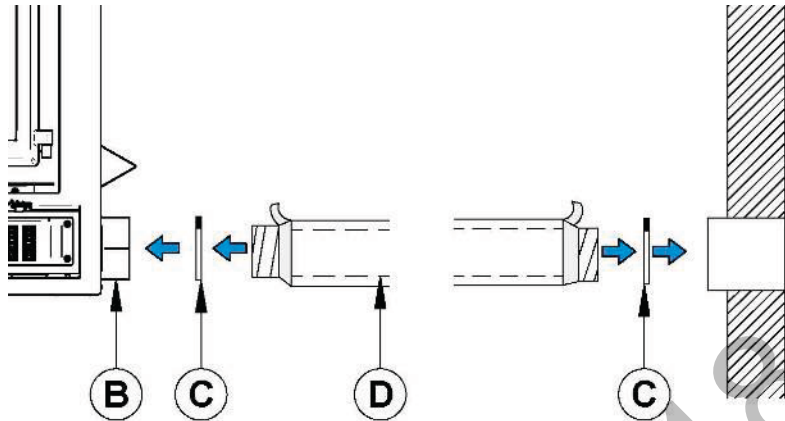
1. To use the air intake on the right side, remove the knockout by cutting the micro-joints. Cut and remove the insulation and the other knockout inside the fireplace (1). To use the opening under the fireplace, only cut the knockout.
2. Install the adapter included in the fireplace (2) and align the notch of the adapter (T) with the one on the fireplace. Turn the adapter clockwise.



3. Open the blower control door – the lower cast iron panel of the facade. Install the blocking plate (F) on the front opening of the air control box. The blocking plate and screws are included with the fireplace



- Then, install the flexible pipe* (D) to the fresh air intake adapter (B) using one of the adjustable pipe clamps (C). Secure the other end of the pipe to the outside wall termination (E) using the second adjustable pipe clamp (C). The outside wall termination (E) must be installed outside of the building.
- To properly install the flexible duct, gently remove the insulation and plastic wrap to expose the duct. Fasten the duct using clamps. Stick aluminum tape around the joint between the duct and adapter to make the connection air tight. Carefully replace the insulation and plastic wrap on the duct. Secure the plastic with aluminum tape.



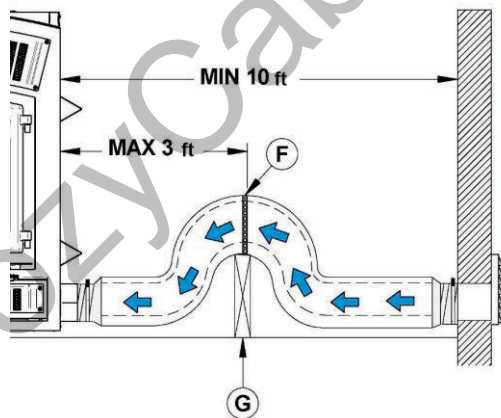
* The maximum pipe length is 30 ft (9 m).

To complete the installation, make a hole of 1/4" to 1/2" (6 mm à 13 mm) bigger than the insulate pipe diameter in the outside wall of the house at the chosen location. From outside, place the outside wall termination in the hole (open side down) and fasten the register to the wall, with screws.

WARNING

TO AVOID CONDENSATION AND RUST IN YOUR FIREPLACE, IT IS RECOMMENDED TO USE AN INSULATED PIPE LONG ENOUGH (MINIMUM 10FT, MAXIMUM 30FT) AND CONTAINING A "P-TRAP".

This configuration can be found inside the chase, but must at all times maintain clearances to combustibles. The following figure is shown as an example.



It is strongly recommended to install a mechanical shutter that closes the outside air inlet when the fireplace is not in use.

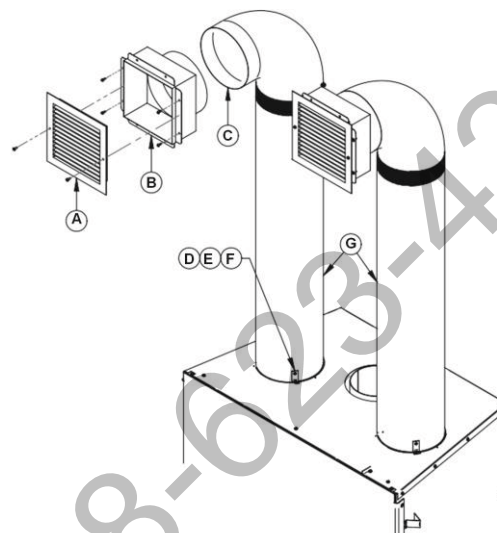
APPENDIX 4: OPTIONAL TRADITIONAL GRAVITY HOT AIR DISTRIBUTION KIT INSTALLATION, 94-99100

The kit includes:

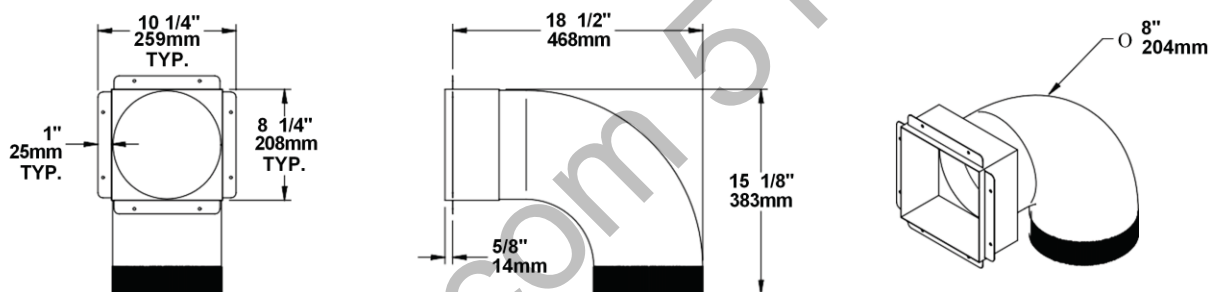
- 2 hot air outlets (grilles (A) and frames (B));
- 2 90o elbows (C);
- Steel brackets (D) with fastening screws(E) and self-tapping screws (F)

Parts not included in the kit:

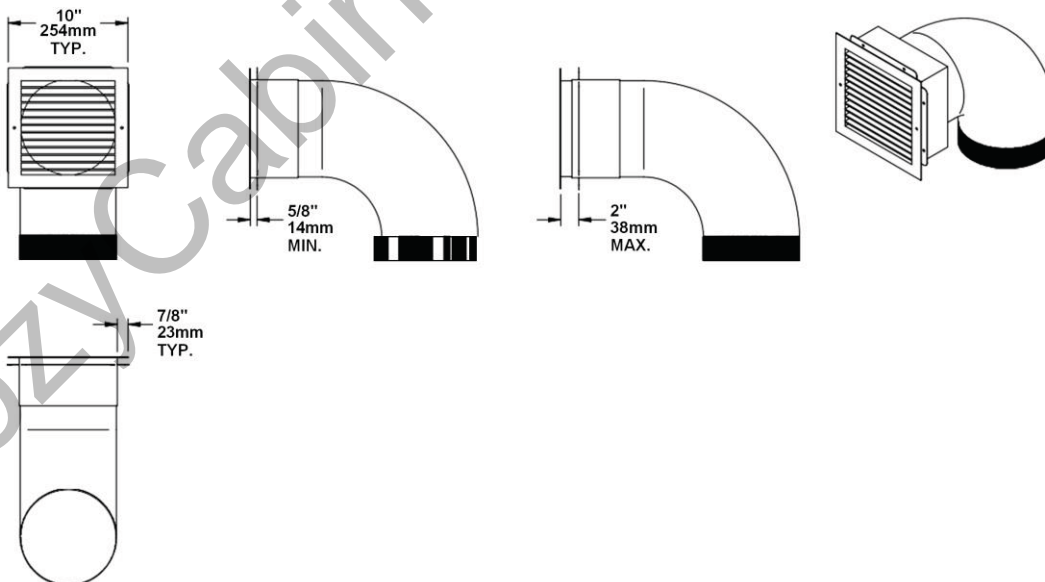
- 8" rigid ducting (G), 26 ga, galvanized steel.



Dimensions of hot air outlet frame with elbow



Dimensions of hot air outlet decorative grille with elbow

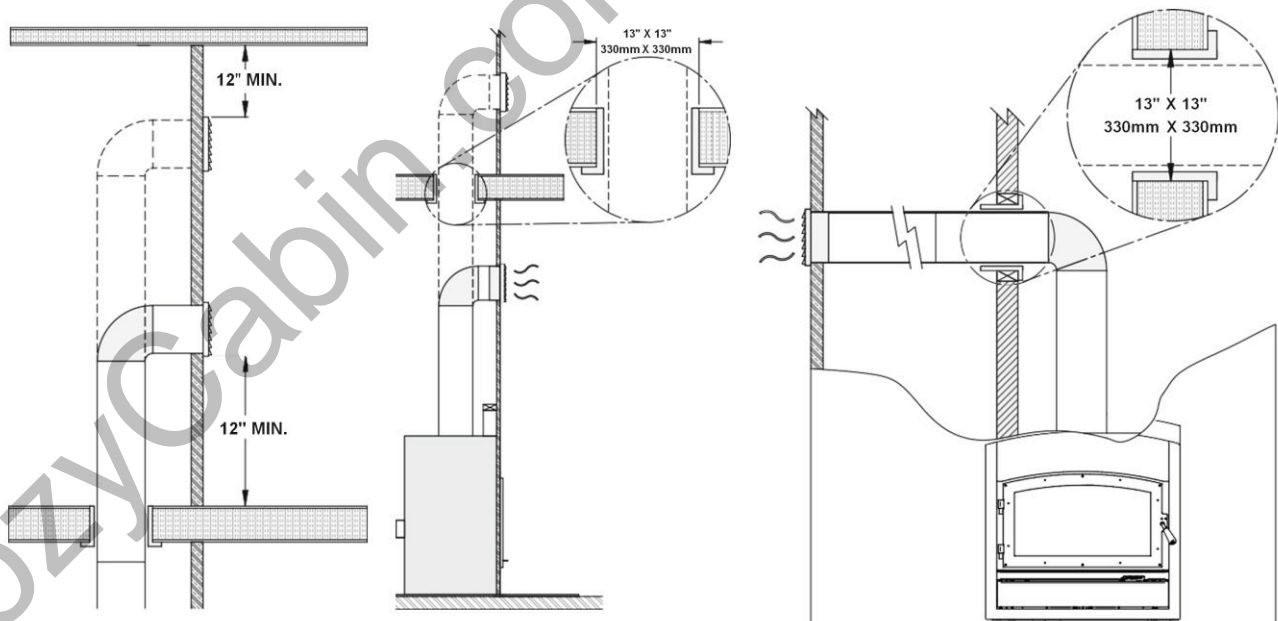


Installation rules and advices

- The minimum height of the hot air duct is 68" (1.7 m). It must be measured from the base of the fireplace to the top of the hot air outlets.
- Do not connect the hot air ducts to a central heating system. The malfunction of the heating system would overheat the fireplace.
- Do not use insulated flexible ducts as they may overheat.
- Do not use «T» fittings or anything other than those listed below.
- All ducts must be placed vertically or horizontally. **Never route the ducting downwards.**
- The flaps of the hot air outlet grilles must point down to prevent overheating of the adjacent ceilings.
- Always install both hot air outlet grilles when the gravity air distribution kit is installed.
- The hot air outlets can be installed in the same room as the fireplace, or both can be installed in adjacent rooms or upstairs. If the outputs are installed at different heights, the higher output will draw more heat.
- When forced air kit is installed in conjunction with a gravity kit, the forced air device will draw some of the air from the gravity kit ducting, therefore reducing its efficiency.

Clearances

- Maximum length of pipes including elbows: 10' (3 m)
- The maximum number of elbows allowed per duct is two.
- There shall be a clearance of at least 12" (305 mm) between the hot air outlet frame and a ceiling, side wall or mantel made of flammable material.
- When the duct passes through a wall or floor made of flammable material, a firestop radiation shield (same as the one used for a class A chimney) must be installed in the opening of the wall or floor. There must be a clearance of at least 2" (50 mm) between the ducts and the firestop.

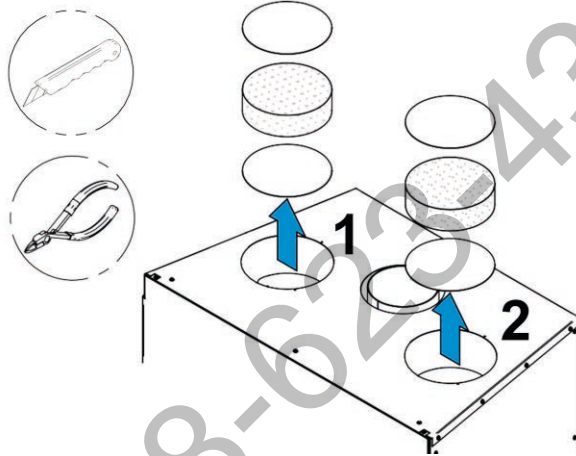


Installation

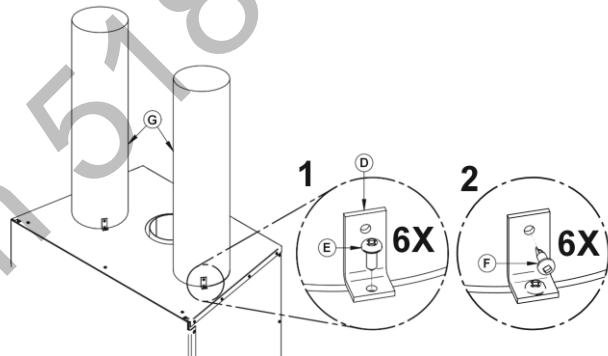


It is strongly recommended to wear gloves to complete the installation.

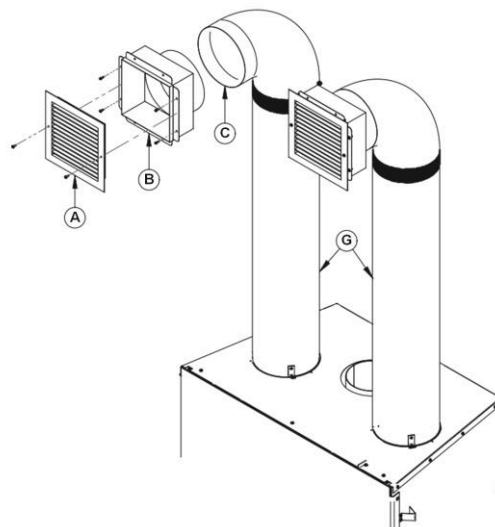
1. Remove the knockouts that close the 8" (20 cm) diameter holes on top of the fireplace. Then cut and remove the insulation and the other set of knockouts inside the fireplace.



2. Screw the 6 steel brackets (D) with 6 screws (E) onto the top of the fireplace (3 per duct). Insert the ducts (G) (not supplied) into each opening and screw in place in the brackets (D) with 6 self-drilling screws (F).



3. Fasten ducts (G) to 90° elbows (C) using self-drilling screws (3 per elbow). Insert the frames (B) into the elbow outlets (C). Press the frame on the back of the non-combustible wall and screw it in place. Screw the frame (B) to the outlet of the elbow (C) with 3 self-drilling screws in each. Attach the decorative grilles (A) to the frames with screws.



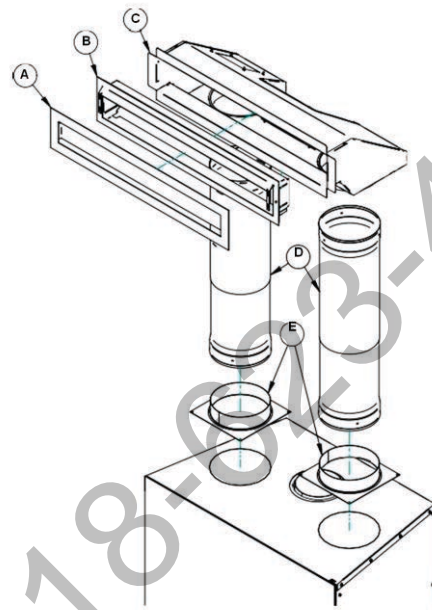
APPENDIX 5: OPTIONAL MODERN GRAVITY HOT AIR DISTRIBUTION KIT INSTALLATION

The kit includes :

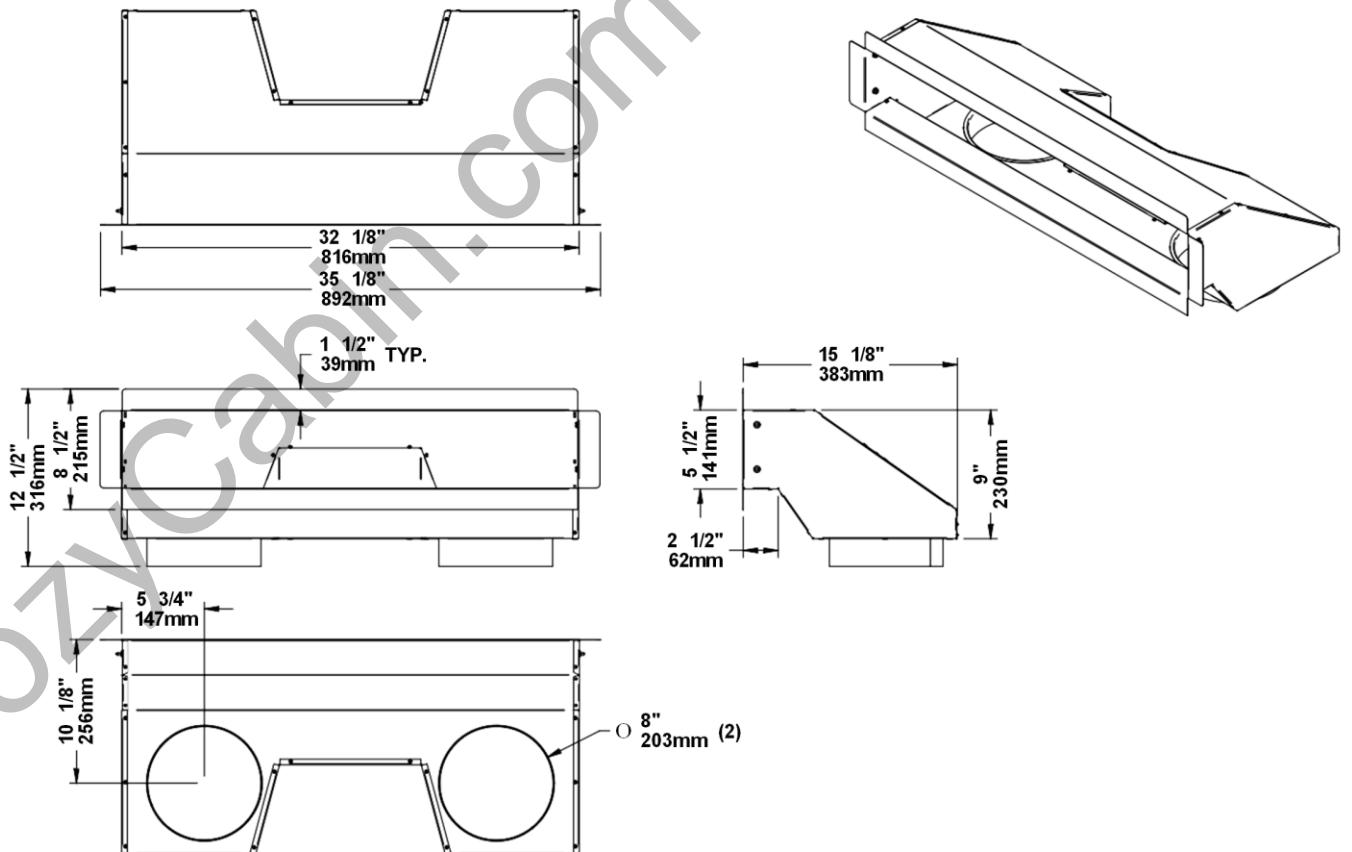
- Decorative plate (A);
- Adjustable frame (B);
- Heat distribution box (C);
- Telescoping section (D);
- Anchor plates (E);
- All screws are included.

Not included in the kit:

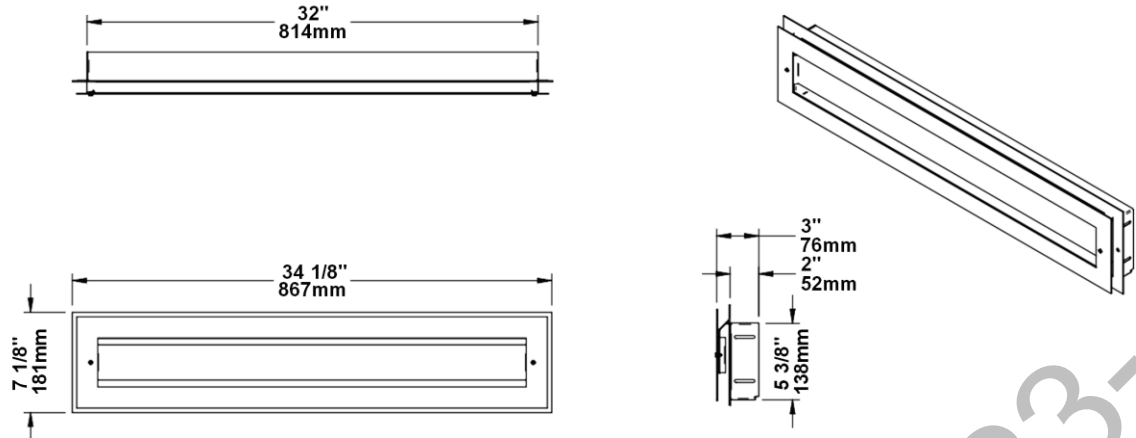
- 8" rigid ducting, 26 ga, galvanized steel. (if necessary according to the desired height).



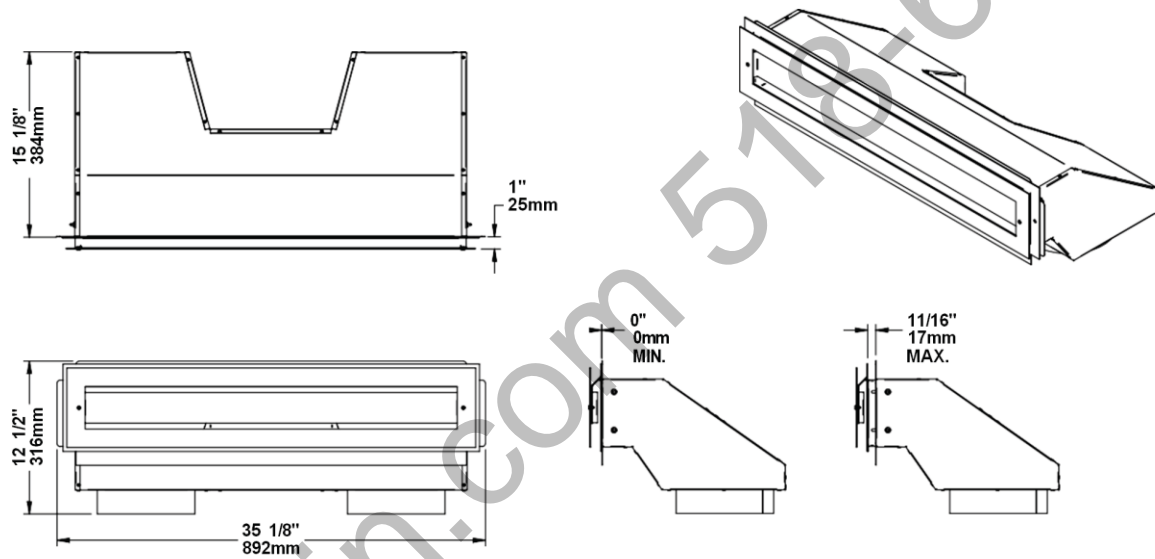
Dimensions of heat distribution box



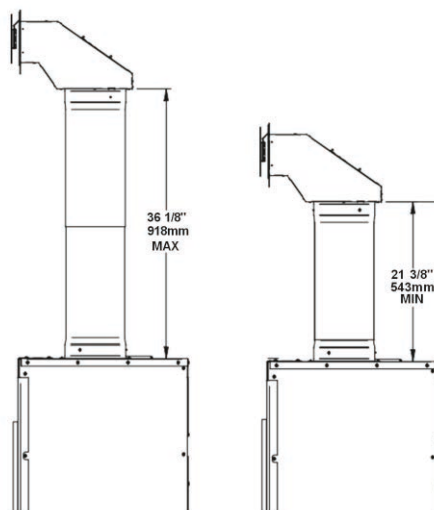
Dimensions of the decorative plate



Dimensions of assembled heat distribution box and adjustable decorative plate



Dimensions of telescoping section

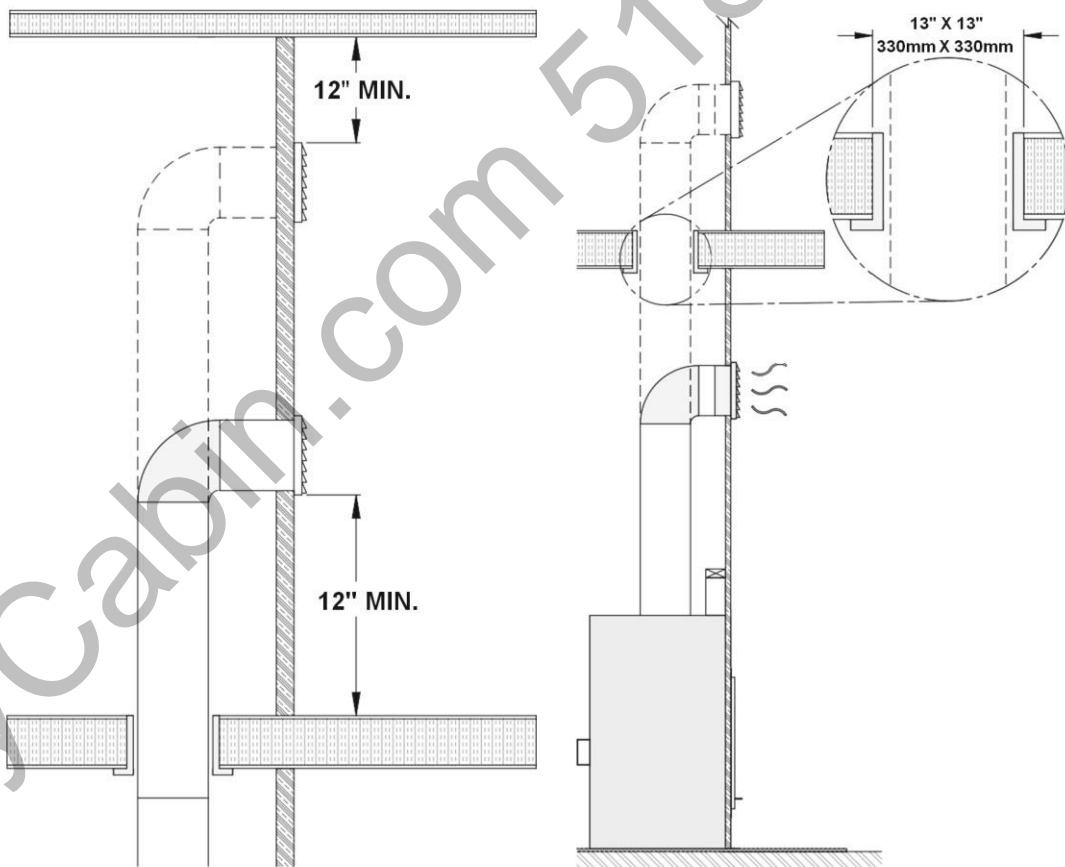


Installation rules and advice

- Do not connect the hot air ducts to a central heating system. The malfunction of the heating system would overheat the fireplace.
- Do not use insulated flexible ducts as they may overheat.
- Do not use «T» fittings or anything other than those listed below.
- The hot air outlets can be installed in the same room as the fireplace or it can be installed in a room upstairs.
- When forced air kit is installed in conjunction with a gravity kit, the forced air device will draw some of the air from the gravity kit ducting, therefore reducing its efficiency.

Clearances

- There shall be a clearance of at least 12" (305 mm) between the hot air outlet frame and a ceiling, side wall or mantle made of flammable material.
- When the duct passes through a wall or floor made of flammable material, a firestop radiation shield (same as the one used for a class A chimney) must be installed in the opening of the wall or floor. There must be a clearance of at least 2" (50 mm) between the ducts and the firestop.

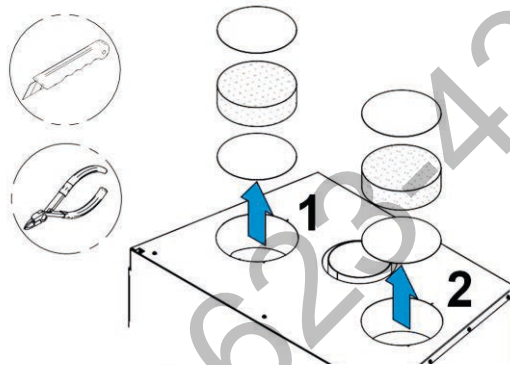


Installation

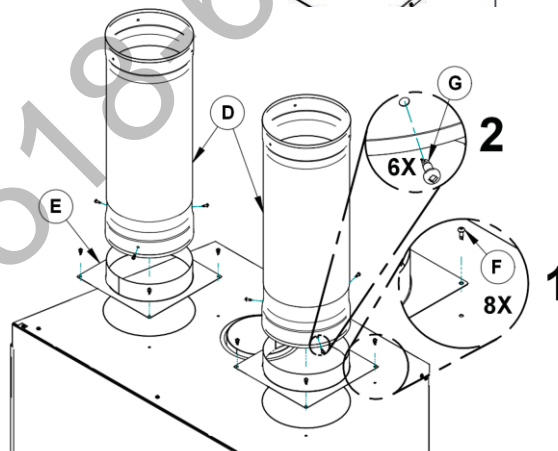


It is strongly recommended to wear gloves to complete the installation.

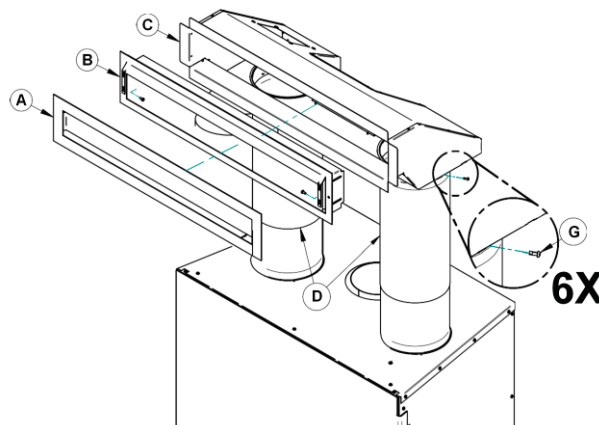
1. Remove the knockouts that close the 8" (20 cm) diameter holes on top of the fireplace. Then cut and remove the insulation and the other set of knockouts inside the fireplace.



2. Secure the 2 anchor plates (E) with 8 screws provided (F) on top of the fireplace (4 for each anchor plate). Insert the telescoping section (D) into each anchor plate and secure it with 6 other self-tapping screws provided (G).

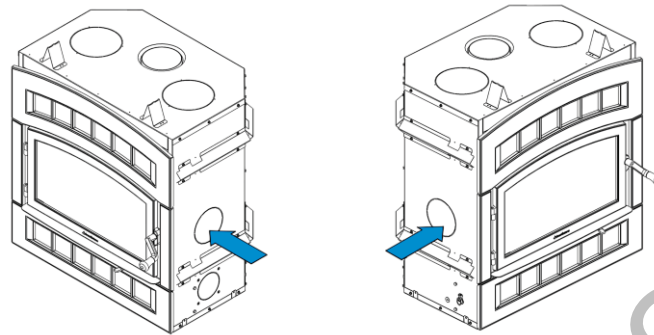


3. Secure the telescoping sections (D) to the heat distribution box (C) with self-tapping screws (G) (3 per telescoping section). Determine the needed height and secure the two parts of the telescoping sections together with 3 self-tapping screws. Insert the adjustable frame (B) in the heat distribution box (C), press it against the non-combustible material and secure with 4 screws into the heat distribution box. Set the decorative plate (A) to the adjustable frame (B).

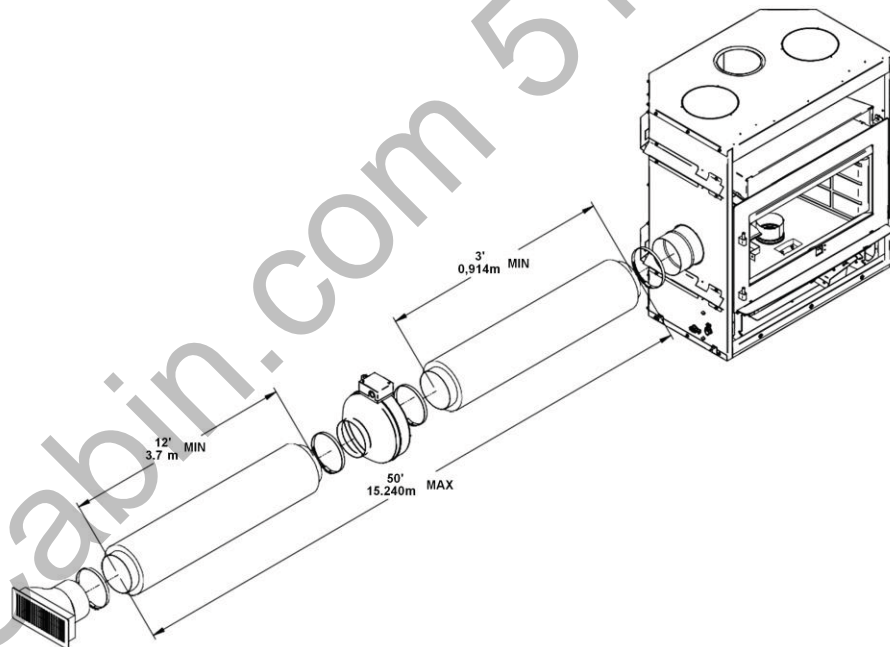


APPENDIX 6: OPTIONAL FORCED AIR DISTRIBUTION KIT INSTALLATION, 94-57110

It is possible to connect a forced air distribution kit* on either sides of this fireplace. Installing the kit on the left side of the fireplace will provide better performances than on the right side.



This kit allows distributing heat to another room up to 50 feet (15 m) of the fireplace. The insulated flexible pipe (not included in the kit) must be HVAC type pipe and must comply with ULC S110 and/or UL 181, Class 0 or Class 1 Standards and must withstand temperatures up to 250°F. For the complete installation procedure, see the installation manual provided with the kit.



* The EPA standard states that it is necessary to perform certification testing with any ventilation that is likely to alter the units' performance. For this reason, SBI has tested the effects of the forced air kit on the emissions of fine particles. Due to the design of the appliance and more specifically to the temperature sensor that is installed to control stops and starts, the forced air kit does not affect the emission results. In fact, this option promotes the recovery of excess heat to later redistribute it to other rooms. During testing, it was noted that the convection blowers underneath the firebox had more of an effect on the fine particles emission due to the air being directed onto the firebox thus cooling the unit. However, this appliance has already been tested for emission with one or more convection blowers. The environmental requirements are then met efficiently.

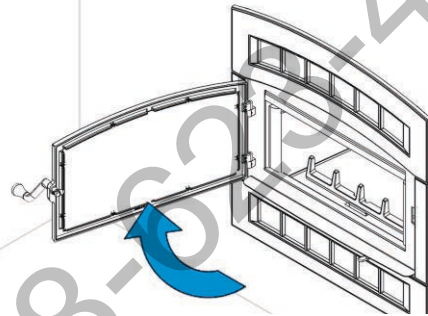
APPENDIX 7: OPTIONAL FIRE SCREEN INSTALLATION, 94-69110

In the United States or in provinces with a particulate emissions limit (e.g.: US EPA), the use of open-door wood fireplace with a rigid fire screen is prohibited.

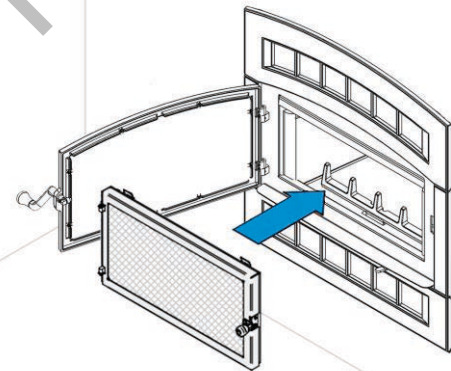
A fire screen door can be installed on the fireplace. For more details, refer to the installation manual supplied with the fire screen.

Warning: Never leave the fireplace unattended while in use with the firescreen

1. Open the door

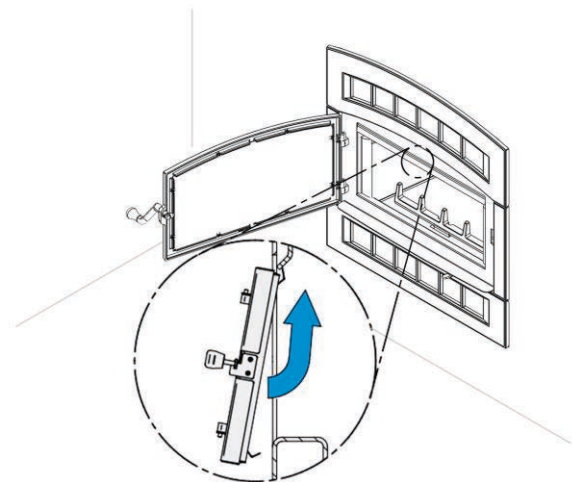


2. Hold the firescreen and bring it close to the door opening.



3. Lean the upper part of the firescreen against the top door opening making sure to insert the top firescreen bracket behind the primary air deflector.

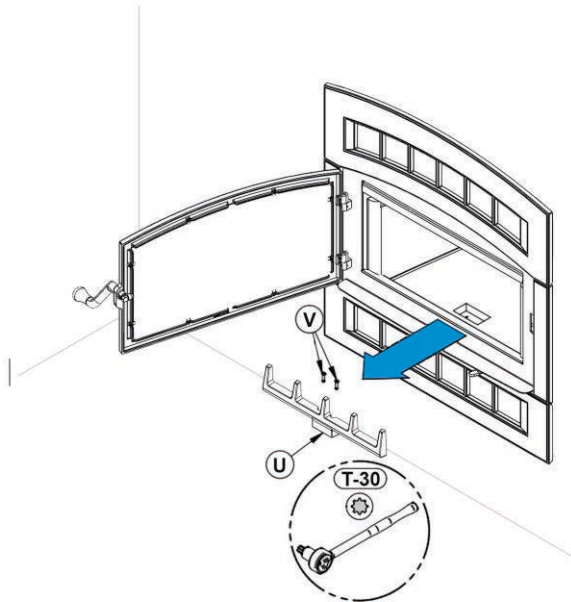
4. Lift the firescreen upwards and push the bottom part towards the fireplace then let the firescreen rest on the bottom of the door opening



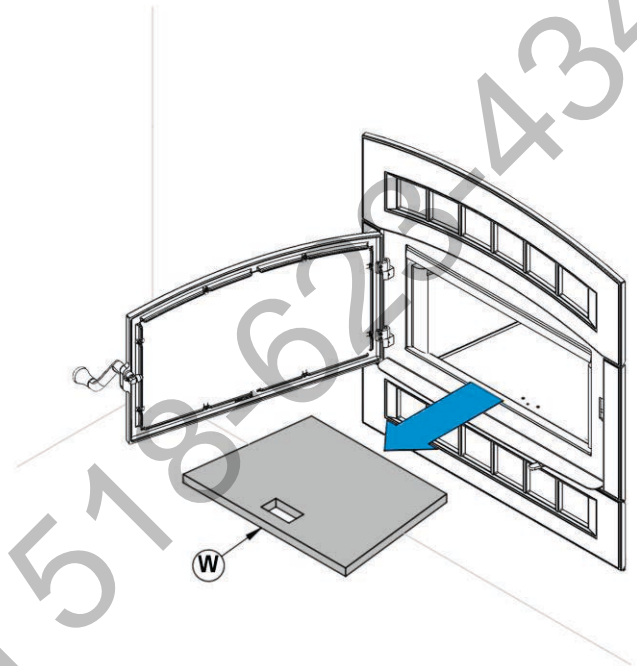
APPENDIX 8: REFRACTORY PANELS REPLACEMENT

Refer to Appendix 11 for part numbers.

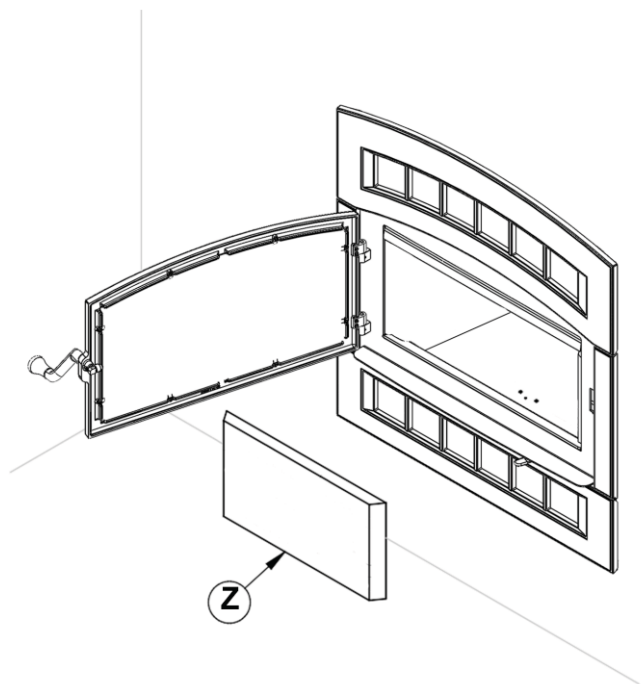
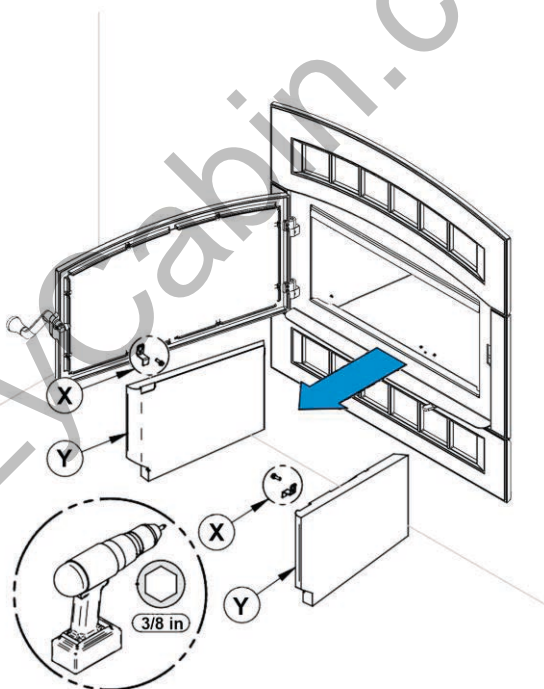
1. Using a ratchet and a Torx (T-30) bit, unscrew the two screws (V) holding the andiron (U).



2. Remove the floor refractory panel (W).



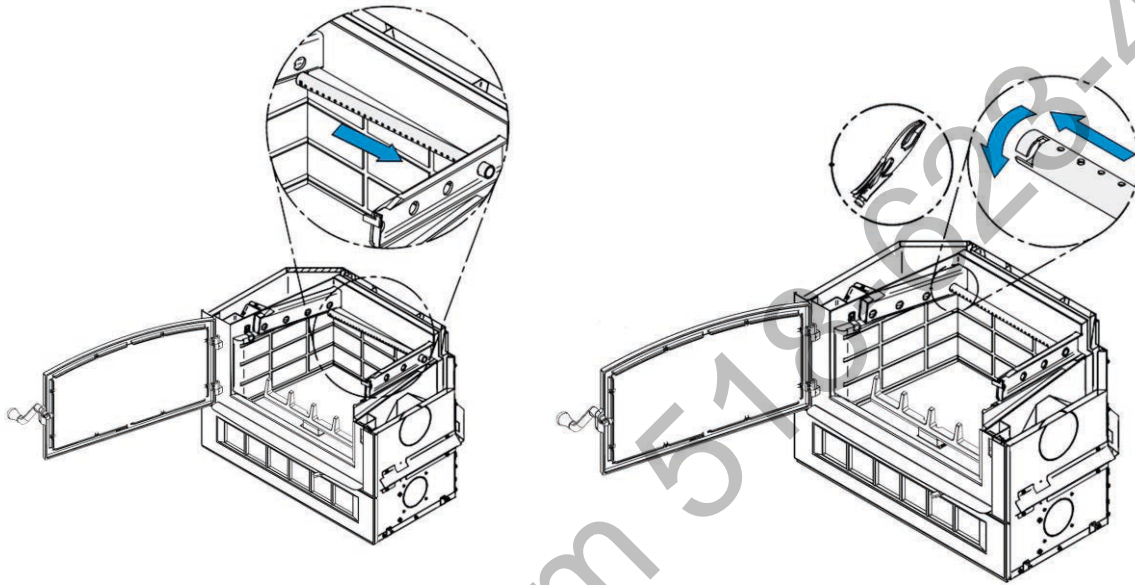
3. Using a power driver, remove the refractory panels brackets (X) and the side refractory panels (Y).
4. Remove the back refractory panel (Z).



APPENDIX 9: SECONDARY AIR TUBES AND BAFFLE INSTALLATION

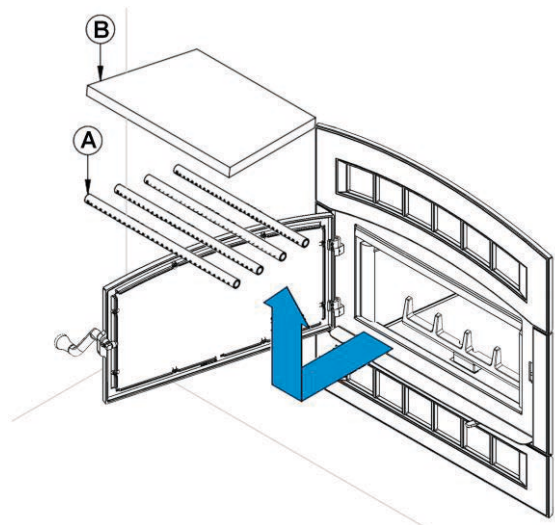
The secondary air tubes and the baffle must be in good working order to ensure clean combustions. Remove any of the 4 secondary air tubes or the baffle to replace damaged parts. See Appendix 11 for part numbers.

1. Starting with the rear tube, lean and insert the right end of the secondary air tube into the rear right channel hole. Then lift and insert the left end of the tube into the rear left channel.



2. Align the notch in the left end of the tube with the key of the left air channel hole. Using pliers hold the tube and lock it in place by turning the tube as shown. Make sure the notch reaches the end of the key way.
3. Repeat for center back tube.
4. Put the baffle in place.
5. Repeat steps 1 and 2 for the two front tubes.
6. To remove the tubes use the above steps in reverse order

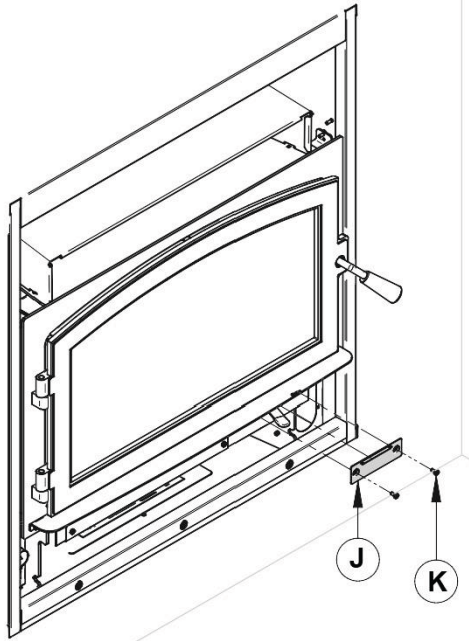
Note that secondary air tubes (A) can be replaced without removing the baffle board (B).



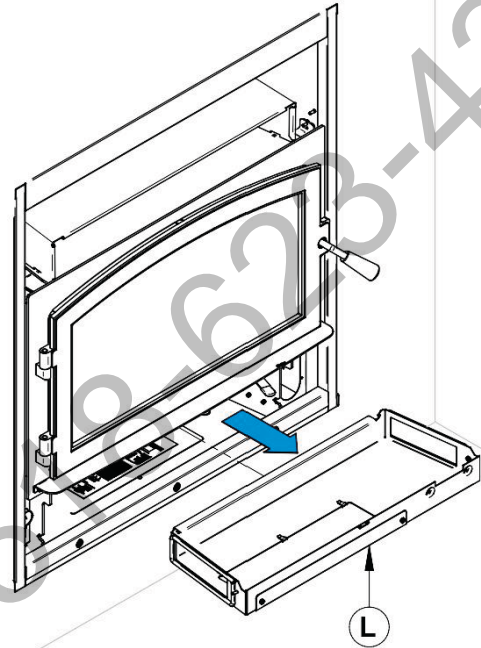
APPENDIX 10: BLOWER REPLACEMENT (PART 7211-9412)

To facilitate the blower replacement, it is recommended to remove the faceplate first. Refer to Appendix 1 for facade removal. Refer to Appendix 11 for part numbers.

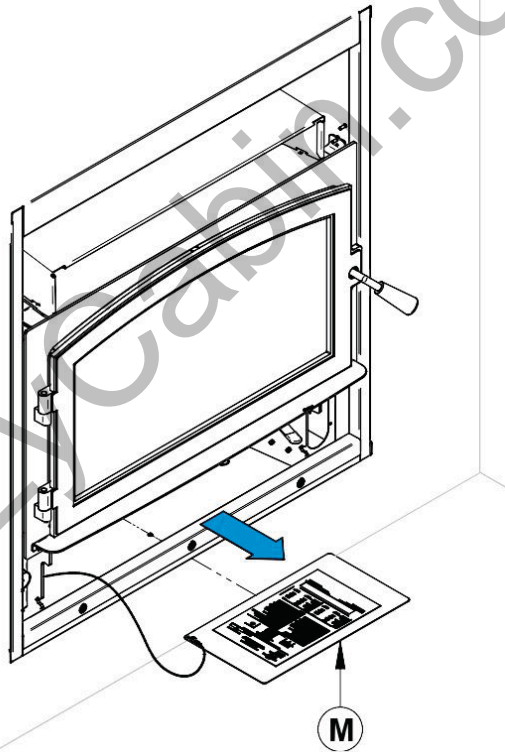
1. Remove the air control panel (J) by removing the screws (K).



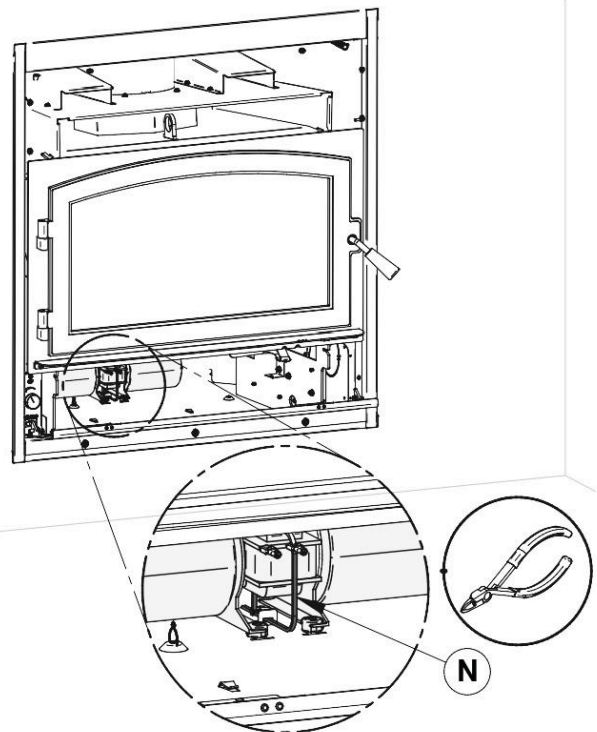
2. Remove the air control housing (L) by pulling on it.



3. Remove the safety label (M).

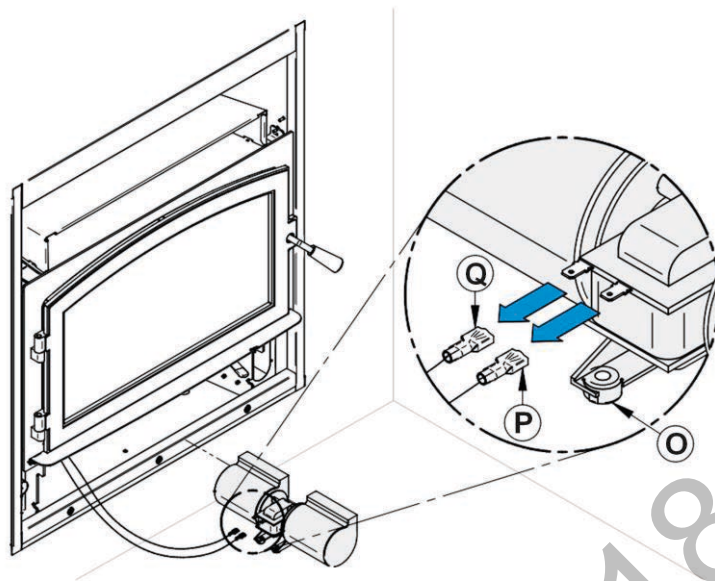


4. Cut the tie wrap (N).



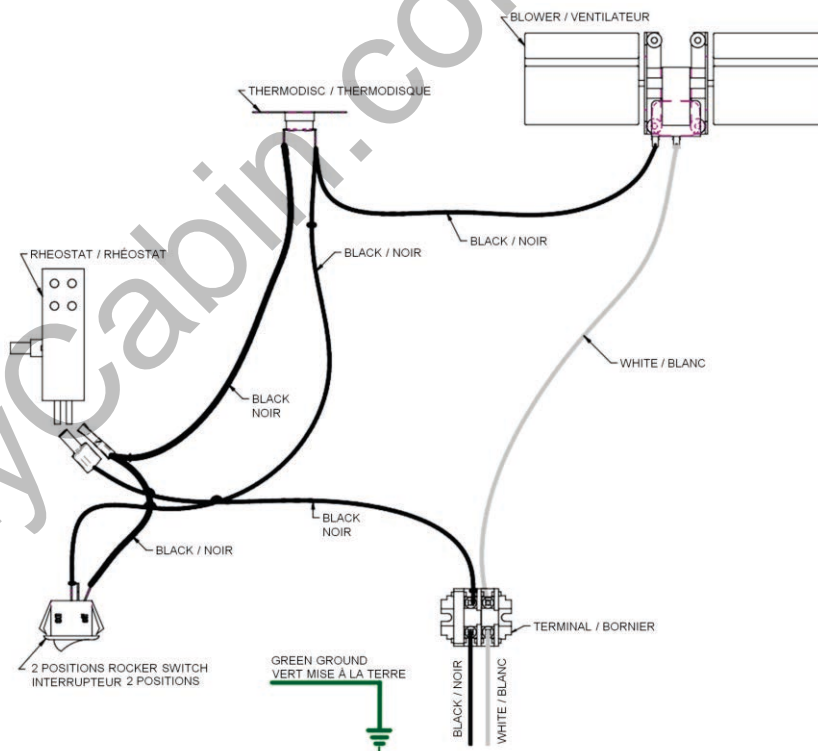
Unplug the blower's electric wires (P) and (Q). Lift the blower (O) located under the firebox towards the back. Turn 90° to pull out

Repeat the steps in reverse order to reinstall the blower.



Blower connection

The wiring should be done by a qualified electrician. Connect the wires from the power outlet to the terminal block, making sure that the white wire matches the white wire on the terminal. Connect the black wire with the black wire of the terminal block. The ground (green or skinned wire) must be attached to the fireplace metal frame.



APPENDIX 11: PARTS LIST AND OPTIONAL ACCESSORIES

Description	Part No.		Description	Part No.
Air tube (4) – front	5411-074		Right bricks	3120-413
Air tube (3) – middle front	5411-073		Left bricks	3120-412
Air tube (2) – middle back	5411-072		Rear bricks	3120-411
Air tube (1) – back	5411-071		Bottom bricks	3120-410
C-cast baffle	3120-4141		Blower	7211-9412
Top insulation (2 ½” thick)	3120-4151		Door glass kit	94-58100
Door Gasket Kit	94-58106		Door latch kit	94-73100
Air control handle cap	5410-040			
Optional Accessories	Part No.			
Gravity Convection Air Kit	94-99100			
Modern Convection Air Kit	94-99110			
Forced Air Kit	94-57110			
Firescreen	94-69110			

SAFETY RATING LABEL



REFER TO INTERTEK'S DIRECTORY OF BUILDING PRODUCTS FOR DETAILED INFORMATION
SE RÉFÉRER AU RÉPERTOIRE DES PRODUITS HOMOLOGUÉS D'INTERTEK POUR PLUS D'INFORMATION

STANDARDS / NORMES D'ESSAI:

- Certified to / Certifié selon ULC S610
- Certified to / Certifié selon UL 127
- Certified to / Certifié selon CSA B415.1-10
- Certified to / Certifié selon ASTM E2515-11 (R2017)
- Certified to / Certifié selon ASTM E3053-17
- Control number: 4002461 (April / Avril 2019)

MODEL / MODÈLE:
WFP-75 8411

Serial Number / No. de Série 1

LISTED FACTORY BUILT FIREPLACE / FOYER PRÉFABRIQUÉ HOMOLOGUÉ

FOR USE WITH WOOD ONLY / POUR UTILISATION AVEC BOIS SEULEMENT
CONTACT LOCAL BUILDING OFFICIALS ABOUT THE RESTRICTIONS AND INSTALLATION INSPECTION IN YOUR AREA. COMMUNIQUER AVEC LES AUTORITÉS LOCALES DU BÂTIMENT ET DE LA PRÉVENTION DES INCENDIES AU SUJET DES RESTRICTIONS D'INSTALLATION DANS VOTRE SECTEUR.

INSTALL AND USE ONLY IN ACCORDANCE WITH SBI STOVE BUILDER INTERNATIONAL INSTALLATION AND OPERATION INSTRUCTIONS.
L'INSTALLATION ET L'OPERATION DOIT SE FAIRE SELON LES INSTRUCTIONS D'INSTALLATION ET D'UTILISATION DE SBI FABRICANT DE POÊLES INTERNATIONAL.

PREVENT HOUSE FIRES

- Use solid fuel only.
 - For safety, keep screen doors or glass doors tightly closed.
 - Do not overfire unit.
 - Replace with only ceramic glass 4mm thick.
 - Use only with listed factory-built chimney as per manufacturer's instructions.
 - A non-combustible hearth extension must be installed in front of unit extending 16 in (406 mm) in front and 8 in (203 mm) on each side of door opening.
 - Hearth extension must have a minimum R factor of 1.00. No minimum R factor is required if fireplace is elevated by at least 4 in. (102 mm).
 - Do not use a fireplace insert or other products not specified for use with this product.
- Areas of the fireplace incorporating warm or cold air ducts shall be enclosed in accordance with manufacturer's instructions.
WARNINGS: This fireplace has not been tested with an unvented gas log set. To reduce risk of fire or injury, do not install an unvented gas log set into fireplace.
This wood heater needs periodic inspection and repair for proper operation. Consult the owner's manual for further information. It is against US federal regulations to operate this wood heater in a manner inconsistent with the operating instructions in the owner's manual.

PRÉVENEZ LES INCENDIES

- Utiliser du combustible à base de bois seulement.
 - Pour votre sécurité, maintenir les portes de grillages ou de vitres fermées de façon étanche.
 - Ne pas surchauffer le foyer.
 - Remplacer la vitre seulement avec un verre céramique de 4mm d'épaisseur.
 - Pour utilisation seulement avec une cheminée préfabriquée homologuée tel que spécifié selon les instructions du manufacturier.
 - Une protection de plancher incombustible doit être installée à l'avant du foyer excédant de 16 po (406 mm) à l'avant et 8 po (203 mm) de chaque côté de l'ouverture de la porte.
 - La protection à l'avant du foyer doit avoir un facteur R minimum de 1,00. Aucun facteur R n'est requis si le foyer est surélevé d'au moins 4 po. (102 mm).
 - Ne pas utiliser de foyer encastrable ou autres produits qui ne sont pas conçus précisément pour être utilisés avec le présent foyer.
- Les zones du foyer intégrant des conduits d'air chaud ou froid doivent être installées en accord avec les instructions du manufacturier.
ATTENTION: Ce foyer n'a pas été mis à l'essai avec un ensemble de bûches décoratives à gaz non ventilé. Pour réduire les risques de feu ou de blessures, ne pas installer d'ensemble de bûches décoratives à gaz non ventilé dans ce foyer.
Cet appareil requiert des inspections et réparations périodiques. Consulter le manuel de l'utilisateur pour plus d'information. Opérer cet appareil de chauffage de façon Inconsistante par rapport au manuel de l'utilisateur consiste une violation de la loi fédérale (USA).

MINIMUM CLEARANCES TO COMBUSTIBLE MATERIALS / DÉGAGEMENTS MINIMUM AUX MATÉRIAUX COMBUSTIBLES

Sidewall / Mur latéral [1] :	13 in (330 mm)	Side facing / Parement latéral [2] :	8 in (203 mm)
Combustible shelf (from floor) / Tablette combustible (du sol) [2][3] :	58 in (1473 mm)	Ceiling (from floor) / Plafond (à partir du plancher) [3] :	80 in. (2032 mm)

[1] From door opening. / À partir de l'ouverture de la porte.
[2] Subject to a maximum protrusion (consult owner's manual). / Sujet à une saillie maximale (consultez le manuel d'instructions).
[3] If the fireplace is elevated, the clearances to the combustible shelf and ceiling must be increased by an equivalent value. / Si le foyer est surélevé, les dégagements à la tablette combustible et au plafond doivent être augmentés d'une valeur équivalente.

Blower / Ventilateur: (115V, 0.8A, 60Hz)

PROCEDURE TO FOLLOW IN CASE OF RUN-AWAY FIRE

- Keep doors closed
- Close all combustion air controls

EN CAS D'INCENDIE DE CHEMINÉE

- Maintenir les portes fermées
- Fermer tous les dispositifs d'admission d'air

U.S. ENVIRONMENTAL PROTECTION AGENCY Certified to comply with 2020 particulate emission standards using cord wood.
AGENCE DE PROTECTION DE L'ENVIRONNEMENT DES É.U. (EPA). Conforme aux normes d'émission de particules de 2020 avec bûche de bois.
Weighted average emission rate / Moyenne pondérée des émissions: 1.14 g/h
When tested in accordance with / Lorsque testé selon: ASTM E2515
Tested and certified in compliance with CFR 40 part 60, subpart AAA, section 60.534(a)(1)(ii).

WARNING: This product can expose you to carbon monoxide, which is known to the State of California to cause cancer, birth defects or other reproductive harm. (For more information go to www.p65warnings.ca.gov)

CAUTION



- HOT WHILE IN OPERATION.
- DO NOT TOUCH. KEEP CHILDREN, CLOTHING AND FURNITURE AWAY.
- CONTACT MAY CAUSE SKIN BURNS. SEE NAME-PLATE AND INSTRUCTIONS.
- THIS FIREPLACE NEEDS AIR FOR GOOD OPERATION.
- WHEN A FIRE IS BURNING IN THE FIREPLACE, FRESH AIR MUST BE SUPPLIED TO THE ROOM WHERE THE FIREPLACE IS LOCATED, FAILURE TO PROVIDE THIS MAY STARVE OTHER FUEL BURNING APPLIANCE FROM AN ADEQUATE AIR SUPPLY.

ATTENTION

- CHAUD EN FONCTIONNEMENT.
- NE PAS TOUCHER. GARDER LES ENFANTS, LES VÊTEMENTS ET LES MEUBLES ÉLOIGNÉS.
- UN CONTACT AVEC LA PEAU PEUT OCCASIONNER DES BRÛLURES. VOIR LES INSTRUCTIONS.
- CE FOYER A BESOIN D'AIR POUR SON BON FONCTIONNEMENT.
- LORSQUE LE FOYER BRÛLE, UN APPORT D'AIR SUPPLÉMENTAIRE DOIT ÊTRE PRÉVU DANS LA PIÈCE, UN MANQUE D'AIR D'APPOINT POURRAIT PRIVER LES AUTRES APPAREILS DE COMBUSTION D'UNE ALIMENTATION D'AIR ADEQUATE.

Made in La Guadeloupe (Qc), Canada
29/07/2019 (# test)



Fabriqué à La Guadeloupe (Qc), Canada
29/07/2019 (# test)
27E03

HEARTHSTONE LIMITED LIFETIME WARRANTY

The warranty of the manufacturer extends only to the original consumer purchaser and is not transferable. This warranty covers brand new products only, which have not been altered, modified nor repaired since shipment from factory. Products covered under this warranty must have been manufactured after the revision date indicated below. Proof of purchase (dated bill of sale), model name and serial number must be supplied when making any warranty claim to your HEARTHSTONE dealer.

This warranty applies to normal residential use only. Damages caused by misuse, abuse, improper installation, lack of maintenance, over firing, negligence or accident during transportation, power failures, downdrafts, or venting problems are not covered by this warranty.

This warranty does not cover any scratch, corrosion, distortion, or discoloration. Any defect or damage caused by the use of unauthorized parts or others than original parts void this warranty. An authorized qualified technician must perform the installation in accordance with the instructions supplied with this product and all local and national building codes. Any service call related to an improper installation is not covered by this warranty.

The manufacturer may require that defective products be returned or that digital pictures be provided to support the claim. Returned products are to be shipped prepaid to the manufacturer for investigation. If a product is found to be defective, the manufacturer will repair or replace such defect. Transportation fees to ship the product back to the purchaser will be paid by the manufacturer. Repair work covered by the warranty, executed at the purchaser's domicile by an authorized qualified technician requires the prior approval of the manufacturer. Labour cost and repair work to the account of the manufacturer are based on predetermined rate schedule and must not exceed the wholesale price of the replacement part. All parts and labour costs covered by this warranty are limited according to the table below.

The manufacturer at its discretion may decide to repair or replace any part or unit after inspection and investigation of the defect. The manufacturer may, at its discretion, fully discharge all obligations with respect to this warranty by refunding the wholesale price of any warranted but defective parts. The manufacturer shall in no event be responsible for any special, indirect, consequential damages of any nature, which are in excess of the original purchase price of the product. A one-time replacement limit applies to all parts benefiting from a lifetime coverage. This warranty applies to products purchased after October 1st, 2011.

DESCRIPTION	WARRANTY APPLICATION	
	PARTS	LABOUR
Combustion chamber (welds only), castings, convector air-mate, and ceramic glass (thermal breakage only*).	Lifetime	4 years
Plating* (defective manufacture) – subject to limitations above.	Lifetime	n/a
Stainless steel firebox components, surrounds and heat shields, ash drawer, steel legs, pedestal, trims (aluminum extrusions), C-Cast baffle*, vermiculite baffle* and secondary air tubes*.	5 years	3 years
Carbon steel firebox components, glass retainers, and handle assembly.	3 years	2 years
Blowers, heat sensors, switches, rheostat, wiring, and other controls.	2 years	1 year
Paint (peeling), gaskets, insulation, firebrick, and ceramic fibre blankets.	1 year	n/a

**Pictures required*

Shall your unit or a components be defective, contact immediately your **HEARTHSTONE** dealer. Prior to your call make sure you have the following information necessary to your warranty claim treatment:

Your name, address and telephone number;
 Bill of sale and dealer's name;
 Installation configuration;

Serial number and model name as indicated on the nameplate fixed to the back of your unit;
 Nature of the defect and any relevant information.

Before shipping your unit or defective component to our plant, you must obtain from your HEARTHSTONE dealer an Authorization Number. Any merchandise shipped to our plant without authorization will be refused automatically and returned to sender.

CozyCabin.com 518-623-4349

CozyCabin.com 518-623-4349