



Stowe (Model 8325)

Gas-Fired Direct Vent Heater

Owner's Manual

Operation & Installation Guide

Read This Owner's Manual

Operate and Maintain This Gas Heater
According to This Instruction Manual.

Save These Instructions!

Ce manuel est disponible en Francais a
www.hearthstonetech.com



PFS File #20-640

Tested to: ANSI Z21.88-2017
CSA 2.33-2017, CSA 2.17-17

WARNING: FOLLOW THE INFORMATION IN THESE INSTRUCTIONS EXACTLY, IF NOT, A FIRE OR EXPLOSION MAY RESULT CAUSING PROPERTY DAMAGE, PERSONAL INJURY OR LOSS OF LIFE.

WARNING: DO NOT STORE OR USE GASOLINE OR ANY OTHER FLAMMABLE VAPORS AND LIQUIDS NEAR THIS OR ANY OTHER GAS APPLIANCE.

WHAT TO DO IF YOU SMELL GAS:

- Do not try to light any appliance.
- Do not touch electrical switches; do not use the phone in your building.
- Immediately call your gas supplier from a phone outside the structure. Follow your gas supplier's instructions.
- If you cannot reach your gas supplier, call the fire department or 911.

A qualified installer, service agency, or gas supplier must perform installation and service of this appliance. In the Commonwealth of Massachusetts, all installation of gas lines and gas fittings must be performed by a licensed gas fitter or licensed plumber.

California Prop 65

WARNING: This product can expose you to chemicals including glass wool fiber and carbon monoxide which are known to the State of California to cause cancer, birth defects or other reproductive harm. For more information go to www.P65Warnings.ca.gov

AVERTISSEMENT: ASSUREZ-VOUS DE BIEN SUIVRE LES INSTRUCTIONS DONNÉ DANS CETTE NOTICE POUR RÉDUIRE AU MINIMUM LE RISQUE D'INCENDIE OU POUR ÉVITER TOUT DOMMAGE MATÉRIEL, TOUTE BLESSURE OU LA MORT.

AVERTISSEMENT: NE PAS ENTRESPOSER NI UTILISER D'ESSENCE NI D'AUTRE VAPERURS OU LIQUIDES INFLAMMABLES DANS LE VOISINAGE DE CET APPAREIL OU DE TOUT AUTRE APPAREIL.

QUE FAIRE SI VOUS SENTEZ UNE ODEUR DE GAZ:

- Ne pas tenter d'allumer d'appareil.
- Ne touchez à aucun interrupteur. Ne pas vous servir des téléphones se trouvant dans le bâtiment où vous vous trouvez.
- Appelez immédiatement votre fournisseur de gaz depuis un voisin. Suivez les instructions du fournisseur.
- Si vous ne pouvez rejoindre le fournisseur de gaz, appelez le service des incendies.

L'installation et service doit être exécuté par un qualifié installer, agence de service ou le fournisseur de gaz.

Stowe Model 8325
Manual: 6400-41425
R: 10/25/2021

Intentionally Blank

CozyCabin.com 518-623-4349

INDEX

Specifications	4
Introduction	5
Safety Information	5
Installation Preparation	7
Codes.....	7
Items Required for Installation.....	8
Packing List.....	8
Unpacking and Inspection.....	8
Clearances to Combustibles	9
Hearth Requirement/Floor Protection.....	9
Venting Information	10
Venting Connection.....	10
Approved Systems.....	11
Minimum Venting.....	12
Electrical System Information	16
Gas Supply & Connections	17
Gas Connections.....	18
Initial Leak Check.....	18
Pre-Ignition Checks	18
Firebox/Log Set Placement	19
Installation.....	19
Removal.....	20
Initial Lighting Instructions	21
Manual Ignition Instructions.....	21
Air Shutter/Restrictor	22
Routine Maintenance and Care	23
Parts List	26
Troubleshooting	27
Rating Label	30
Warranty	31

SPECIFICATIONS

Testing Agency: Intertek Testing Services NA, Inc. (ITS)

Listing Agency: PFS Teco

Listed: Direct Vent Gas Heater

Model: Stowe Model 8325

Tested to: ANSI Z21.88-2017 CSA 2.33-2017
CSA 2.17-2017

Approved for Mobile Home Installation

Certified for use by:

Board of State Examiners of Plumbers and Gasfitters
100 Cambridge Street, Room 1511
Boston, Massachusetts 02202

Manufactured and Warranted by:

Hearthstone Quality Home Heating Products, Inc.
317 Stafford Ave.
Morrisville, VT 05661-8695, USA
www.hearthstonestoves.com

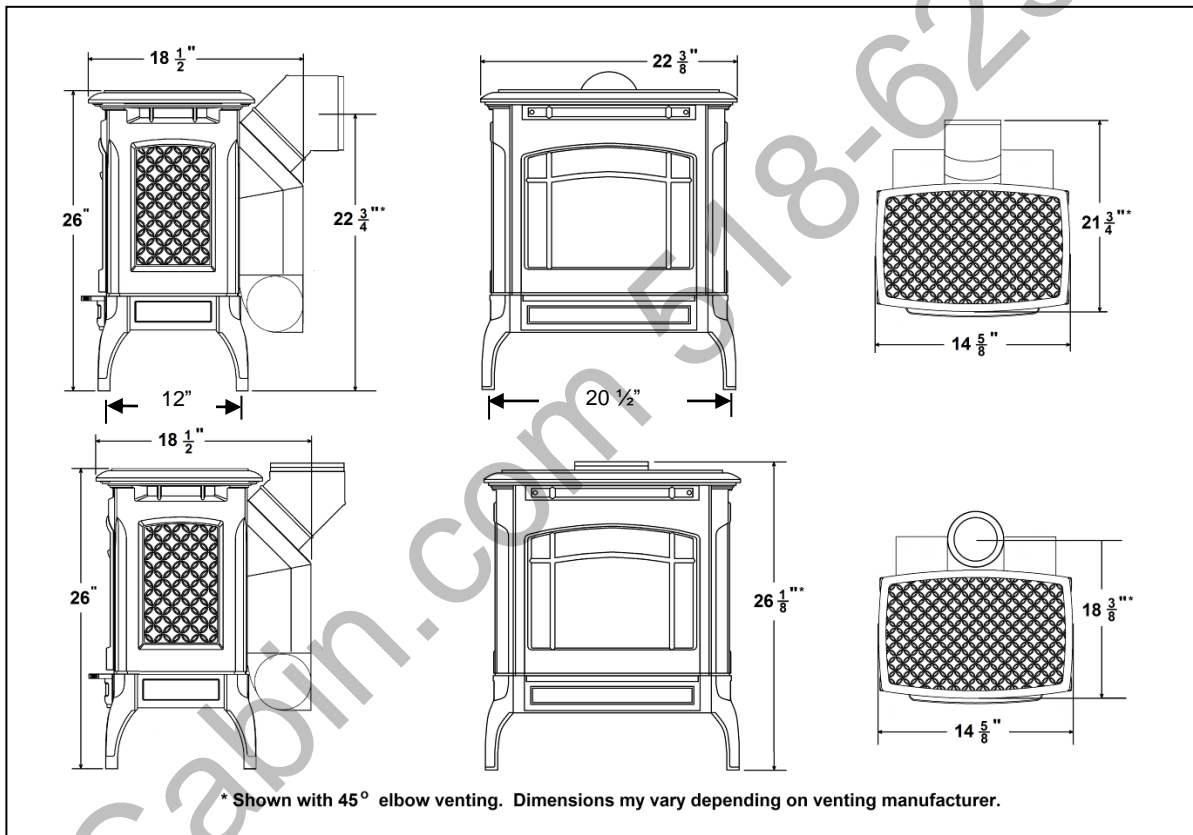


Figure 1 Stowe DV Dimensions

Specification	NG	LP
Input rating (Btu/hr) 0-2000 ft	22,400	22,400
Input rating (Btu/hr) 2000-4500 ft	22,400	22,400
Orifice size DMS 0-2000 ft	43	54
Orifice size DMS 2000-4500 ft	42	54
Man. press.-LO setting (in.w.c./kPa)	1.2/0.030	4.2/1.05
Man. press.-HI setting (in.w.c./kPa)	3.6/0.90	10.1/2.52
Inlet press.-LO setting(in.w.c./kPa)	5.0/1.24	11.0/2.74
Inlet press.-HI setting(in.w.c./kPa)	7.0/1.74	13.0/3.22
Minimum input rating rating (Btu/hr)	15,000	15,000

INTRODUCTION

Congratulations on your purchase of the Stowe Model 8325, Gas-Fired Direct-Vent heater. The Stowe, by Hearthstone, incorporates the latest in direct vent gas technology, which will provide you with clean, efficient heat for years to come. The enameled or painted cast iron gives the Stowe a pleasing look that is maintained with minimum care.

The Stowe will provide you with years of practical and convenient service. However, as with any gas appliance, the unit must be properly and safely installed and maintained by qualified service personnel to ensure safe and trouble-free operation.

STOWE MODEL 8325 FEATURES:

1. SIT 820 valve system
2. 5-piece log set
3. Safety Barrier Screen
4. Platinum Bright Embers.
5. Optional blower

Part #	Description
8325-0010NP	Matte Black
8325-0020NP	Brown Enamel
8325-0031NP	Oyster Enamel

🔥 Read this Owner's Manual

Operate and maintain this gas heater according to the instructions in this manual. For your safety, and years of trouble free operation, read this manual in its entirety.

🔥 Heater Must Be Installed and Maintained By Qualified Service Personnel

Verify the gas connections and venting systems meet the requirements of local, regional or national installation codes. Qualified service personnel must inspect the gas heater before use, and at least annually.

Manufactured & warranted by:

Hearthstone Quality Home heating Products, Inc.

317 Stafford Ave.

Morrisville, VT 05661

www.hearthstovestoves.com

inquiry@hearthstovestoves.com

SAFETY INFORMATION

Your Stowe is an attractive and extremely efficient heater, utilizing today's best technologies. By following a few simple safety precautions and by performing minimal maintenance, the unit will remain appealing while providing years of quality performance.

The installation must conform to local codes or, in the absence of local codes, the current National Fuel Gas Code, ANSI Z223.1 (NFPA 54) or CAN/CGA B149 Installation Code. (*Installer l'appareil selon les codes ou règlements locaux, ou, en l'absence de tels règlements, selon les Codes d'installation CAN/CGA B149.*)

🔥 **CAUTION: DO NOT USE THIS APPLIANCE IF ANY PART WAS UNDER WATER. IMMEDIATELY CALL A QUALIFIED SERVICE TECHNICIAN TO INSPECT THE HEATER AND TO REPLACE ANY PART OF THE CONTROL SYSTEM AND GAS CONTROL THAT HAS BEEN UNDER WATER. (NE PAS SE SERVIR DE CET APPAREIL S'IL A ÉTÉ PLONGÉ DANS L'EAU, COMPLÈTEMENT OU EN PARTIE. APPELER UN TECHNICIEN QUALIFIÉ POUR INSPECTOR L'APPAREIL ET REMPLACER TOUTE PARTIE DU SYSTÈME DE CONTRÔLE ET TOUTE COMMANDE QUI ONT ÉTÉ PLUNGES DANS L'EAU.)**

During the first few hours of operation the appliance may produce smoke and/or odor. This is normal during the first several burns and also after long periods when the stove is not burned. During these initial burns, open a window(s) to assist in the removal of the smoke/odor.

The appliance and its individual shutoff valve must be disconnected from the gas supply piping system during any pressure testing of that system at test pressures in excess of ½ psig. (3.5k Pa). The appliance must be isolated from the gas supply piping system by closing its individual manual shutoff valve during any pressure testing of the gas supply piping system at test pressures equal to or less than ½ psig (3.5k Pa).

Fire Hazard

Do not store or use gasoline or other flammable vapors or liquids in the vicinity of this appliance. Locate the Stowe out of traffic areas and away from furniture, draperies, clothing, and flammable material.

Vent Only to the Outside.

Never vent the gas heater to other rooms or buildings.

Service Caution

If you believe your Stowe is not, in any way, performing properly, immediately discontinue

operation until the unit is inspected and approved by qualified service personnel. Prior to servicing the unit, turn the gas to the valve off, and disconnect any electrical source. Ensure the unit is cool prior to servicing and cleaning. Replace any safety screen, guard, or component removed during servicing prior to operation. Use of any components not supplied by Hearthstone on the stove voids all warranties. **Do not substitute components.**

Proper Fuel

This gas heater is designed to burn natural gas (NG) or with conversion, liquid propane (LP). Never burn any fuel gas not intended for use with this unit. Never burn paper, wood, or other materials in this appliance.

This heater is factory equipped to burn natural gas (NG). To burn propane (LP), you must install the included LP conversion kit #93-56241

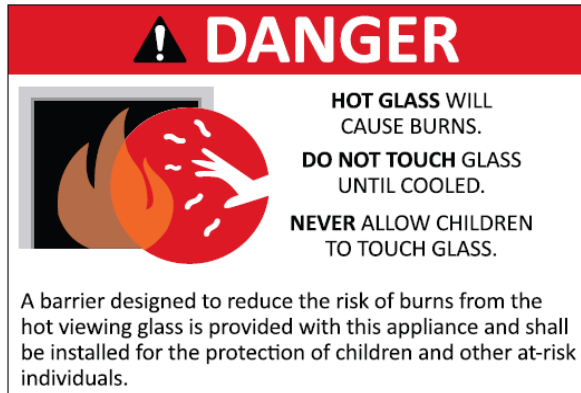
This appliance is only for use with the type(s) of gas indicated on the rating plate. This appliance is not convertible for use with other gases, unless a certified kit is used. *Cet appareil doit être utilisé uniquement avec les types de gas indiqués sur la plaque signalétique. Ne pas l'utiliser avec d'autres gas sauf si un kited conversion certifié est installé.)*

- 🔥 **WARNING: THIS GAS APPLIANCE MUST NOT BE CONNECTED TO A CHIMNEY FLUE SERVING A SEPARATE GAS OR SOLID-FUEL BURNING APPLIANCE**
- 🔥 **WARNING: DO NOT OPERATE THE APPLIANCE WITH THE FRONT GLASS REMOVED, CRACKED, OR BROKEN. REPLACEMENT OF GLASS SHOULD BE DONE BY A LICENSED OR QUALIFIED SERVICE PERSON. ONLY OPEN FRONT FOR ROUTINE SERVICE. DO NOT SLAM FRONT OR STRIKE GLASS.**
- 🔥 **WARNING: HEARTHSTONE RECOMMENDS THAT ONLY AN NFI CERTIFIED SERVICE TECHNICIAN INSTALLS, AND REPAIRS THIS APPLIANCE. A QUALIFIED SERVICE TECHNICIAN MUST INSPECT THE APPLIANCE BEFORE USE, AND AT LEAST ANNUALLY. MORE FREQUENT CLEANING MAY BE REQUIRED DUE TO EXCESSIVE LINT FROM CARPETING, BEDDING MATERIAL, PETS, ETC. IT IS IMPERATIVE THAT THE CONTROL COMPARTMENTS, BURNERS, AND CIRCULATING AIR PASSAGES OF THE APPLIANCE ARE KEPT CLEAN AND FREE OF OBSTRUCTIONS. (S'ASSURER QUE LE BRÛLEUR ET LE COMPARTIMENT DES COMMANDES SONT PROPRES. VOIR LES INSTRUCTIONS D'INSTALLATION ET D'UTILISATION QUI ACCOMPAGNENT L'APPAREIL.)**

Hot Surfaces

Certain exposed surfaces of the Stowe will reach high temperatures during normal operation. Clearances to combustibles must be maintained, as specified in the "Clearances To Combustibles" section of this manual.

- 🔥 **DUE TO HIGH TEMPERATURES THE APPLIANCE SHOULD BE LOCATED OUT OF TRAFFIC AND AWAY FROM FURNITURE, DRAPERIES, CLOTHING AND FLAMMABLE MATERIALS. EN RAISON DES TEMPÉRATURES ÉLEVÉES, L'APPAREIL DEVRAIT ÊTRE INSTALLÉ DANS UN ENDROIT OÙ IL Y A PEU DE CIRCULATION ET LOIN DU MOBILIER ET DES TENTURES**
- 🔥 **CHILDREN AND ADULTS SHOULD BE ALERTED TO THE HAZARDS OF HIGH SURFACE TEMPERATURES AND SHOULD STAY AWAY TO AVOID BURNS TO SKIN OR CLOTHING IGNITION. LES ENFANTS ET LES ADULTES DEVRAIENT ÊTRE INFORMÉS DES DANGERS QUE POSENT LES TEMPÉRATURES DE SURFACE ÉLEVÉES ET SE TENIR À DISTANCE AFIN D'ÉVITER DES BRÛLURES OU QUE LEURS VÊTEMENTS NE S'ENFLAMMENT.**
- 🔥 **CAREFULLY SUPERVISE YOUNG CHILDREN WHEN THEY ARE IN THE SAME ROOM AS THE APPLIANCE. TODDLERS, YOUNG CHILDREN, AND OTHERS MAY BE SUSCEPTIBLE TO ACCIDENTAL CONTACT BURNS. A PHYSICAL BARRIER IS RECOMMENDED IF THERE ARE AT RISK INDIVIDUALS IN THE HOUSE. TO RESTRICT ACCESS TO A FIREPLACE OR STOVE, INSTALL AN ADJUSTABLE SAFETY GATE TO KEEP TODDLERS, YOUNG CHILDREN, AND OTHER AT RISK INDIVIDUALS OUT OF THE ROOM AND AWAY FROM HOT SURFACES. LES JEUNES ENFANTS DEVRAIENT ÊTRE SURVEILLÉS ÉTROITEMENT LORSQU'ILS SE TROUVENT DANS LA MÊME PIÈCE QUE L'APPAREIL. LES TOUT PETITS, LES JEUNES ENFANTS OU LES ADULTES PEUVENT SUBIR DES BRÛLURES S'ILS VIENNENT EN CONTACT AVEC LA SURFACE CHAUDE. IL EST RECOMMANDÉ D'INSTALLER UNE BARRIÈRE PHYSIQUE SI DES PERSONNES À RISQUES HABITENT LA MAISON. POUR EMPÊCHER L'ACCÈS À UN FOYER OU À UN POÊLE, INSTALLEZ UNE BARRIÈRE DE SÉCURITÉ; CETTE MESURE EMPÊCHERA LES TOUT PETITS, LES JEUNES ENFANTS ET TOUTE AUTRE PERSONNE À RISQUE D'AVOIR ACCÈS À LA PIÈCE ET AUX SURFACES CHAUDES.**
- 🔥 **CLOTHING OR OTHER FLAMMABLE MATERIAL SHOULD NOT BE PLACED ON OR NEAR THE APPLIANCE. ON NE DEVRAIT PAS PLACER DE VÊTEMENTS NI D'AUTRES MATIÈRES INFLAMMABLES SUR L'APPAREIL NI À PROXIMITÉ.**
- 🔥 **CLEAN THE AREA AROUND, UNDER, AND BEHIND THE UNIT ON A REGULAR BASIS TO PREVENT THE ACCUMULATION OF DUST AND LINT**



! DANGER

HOT GLASS WILL CAUSE BURNS.
DO NOT TOUCH GLASS UNTIL COOLED.
NEVER ALLOW CHILDREN TO TOUCH GLASS.

A barrier designed to reduce the risk of burns from the hot viewing glass is provided with this appliance and shall be installed for the protection of children and other at-risk individuals.



! DANGER

UNE VITRE CHAUDE PEUT CAUSER DES BRÛLURES.
NE PAS TOUCHER UNE VITRE AVANT QU'ELLE NE REFROIDISSE.
NE JAMAIS LAISSER UN ENFANT TOUCHER À LA VITRE.

Une barrière de sécurité est recommandée pour réduire les risques de brûlures causées par le vitre chaude de cet appareil et doit être installée pour la protection des enfants et d'autres personnes à risque.

Ceramic Logs, Burner, & Baffle

If the decorative ceramic log or burner material supplied with the Stowe is damaged or parts are missing, they must be replaced with the same, or approved Hearthstone replacement parts. These components affect the combustion quality and safety of the heater. Do not replace ceramic logs, the burner, or baffle with unapproved ceramic components or any other material. We recommend you always wear gloves and safety goggles while handling the ceramic log set and burner materials.

Electrical Hazard

If present, any three-prong grounded plug must be plugged directly into a properly grounded three-prong receptacle. Do not cut or remove the grounding prong from any plug or otherwise attempt to circumvent the grounding protection provided with the unit. The Stowe must be electrically grounded in accordance with local codes, or in the absence of local codes, with the National Electrical Code, ANSI/NFPA 70 in the U.S. or CSA C22.1 Canadian Electrical Code in Canada.

Do Not Light Pilot or Burner by Hand

The pilot light on this gas heater is lit by using the remote control as described elsewhere in this manual. Never attempt to light the pilot or main burner by hand with a match or lighter.

INSTALLATION PREPARATION

CODES

Adhere to **all local codes** or, in their absence, the latest edition of THE NATIONAL FUEL GAS CODE ANSI Z223.1 (NFPA 54) or CAN/CGA B149 (*Installer l'appareil selon les codes ou règlements locaux, ou, en l'absence de tels règlements, selon les Codes d'installation CAN/CGA-B149.*)

Installation Codes can be obtained from:

AMERICAN NATIONAL STANDARDS INSTITUTE, INC.
 1430 BROADWAY
 NEW YORK, NY 10018
www.ansi.org

NATIONAL FIRE PROTECTION ASSOCIATION, INC.
 BATTERY MARCH PARK
 QUINCY, MA 02269
www.nfpa.org

The appliance when installed must be electrically connected and grounded in accordance with local codes or, in the absence of local codes, with the current NFPA 70-National Electrical Code or CSA C22.1-Canadian Electric Code.

Mobile Home Installations

This appliance may be installed in an aftermarket permanently located, manufactured home (USA only), where not prohibited by local codes.

This appliance is only for use with the type of gas indicated on the rating plate. This appliance is not convertible for use with other gasses, unless a certified kit is used.

A manufactured home (mobile) OEM installation must conform to the Manufactured Home Construction and Safety Standard, Title 24 CFR, Part 3280 (U.S.) or Standard for Manufactured Home Installation, ANSI/NCBCS A225.1 or Standard for Gas Equipped Recreational Vehicles and mobile Housing, CSA Z240.4.CAN/SCA Z240 MH (Canada). This appliance is only for use with the type(s) of gas indicated on the rating plate. *Cet*

appareil peut être installé comme du matériel d'origine dans une maison préfabriquée (É.-U. seulement) ou mobile et doit être installé selon les instructions du fabricant et conformément à la norme Manufactured Home Construction and Safety Standard, Title 24 CFR, Part 3280 aux États-Unis ou à la norme CAN/CSA-Z240 Série MM, Maisons mobiles au Canada. Cet appareil doit être utilisé uniquement avec les types de gaz indiqués sur la plaque signalétique.

This appliance is equipped for use at 0 to 2000 feet (0-610 meters) altitude. (Cet appareil est équipé pour des altitudes comprises entre 0 et 2000 pieds (0-610 m) seulement.)

Items Required for Installation

- 🔥 External regulator (for propane (LP) only)
- 🔥 LP conversion kit (for propane only)
- 🔥 Piping which complies with local codes
- 🔥 Pipe sealant approved for use with propane (LP) (resistant to sulfur compounds).
- 🔥 Manual shutoff valve
- 🔥 Sediment trap (see page 18)
- 🔥 Pipe wrench
- 🔥 Phillips head screwdriver
- 🔥 7/16-inch wrench
- 🔥 5/23" (4mm) allen wrench
- 🔥 Other parts as required by local code
- 🔥 Safety Glasses
- 🔥 Gloves

Packing List

- 1- Stowe 8325 Gas-Fired Heater
- 1- Pan Burner
- 1- Owner's Packet (manual, warranty card)
- 1- LP Conversion Kit
- 5- Decorative Ceramic Logs (in separate box)
- 1- Bag of Platinum Bright Embers

🔥 Note: Vent kits and components are supplied separately. Failure to use the venting components approved by Hearthstone for this appliance will void your warranty.

Unpacking and Inspection

Hearthstone packages your Stowe to withstand normal shipment without damage. However, damage can still occur during transit. Take care to inspect for damage when unpacking and installing the unit.

🔥 **DO NOT INSTALL, OR PUT INTO SERVICE, A DAMAGED OR INCOMPLETE HEATER.**

Remove the shrink-wrap and other packaging materials taking care not to damage the stove's finish. Inspect the Stowe for visible or concealed

damage. The unit should be square and true. The sheet metal parts should be smooth and free of bends and dents. Any enameled cast iron should be free of chips or cracks. If visible or concealed damage is found or suspected, contact your dealer for instructions.

Always use gloves and eye protection when handling the decorative ceramic fire logs and burner. Use care when handling these parts as they are fragile and subject to damage and breakage if handled roughly.

See the firebox access instructions on page 9. Unpack and inspect the logs for damage. Inspect the metal burner as well. Open the other boxes and inspect the components. If log, burner or any other component damage is encountered, contact your dealer for a replacement. Otherwise, set the logs and other components aside until called for during the installation.

Dismounting from Pallet

With the accessory boxes removed and set aside, remove the four lag screws that fasten the unit to the pallet. Take care not to mar or chip the stove's finish.

Have someone help lift the stove off the pallet, taking care to avoid damaging components mounted under the stove.

INSTALLER: Leave this manual with the appliance.
INSTALLATEUR : Laissez cette notice avec l'appareil.

CONSUMER: Retain this manual for future reference.

CONSOMMATEUR : Conservez cette notice pour consultation ultérieure

Firebox Access

1. Remove top of the stove (lift off). Set carefully aside on a soft surface.



Figure 2 –Top Removal

2. Release the front panel by lifting up and off of the stove body. Set aside on a soft surface.



Figure 3 – Front Panel Removal

3. While holding the glass to the firebox with one hand in the top middle, remove the glass retention clips one side at a time by grasping the spring-loaded retention clip handle, pulling forward and moving the clip free of the glass frame hook. Lean the glass away from the firebox at the top and pick straight up off of the stove.



Figure 4 – Glass Removal

4. Reinstall by reversing the previous steps.

Clearances to Combustibles

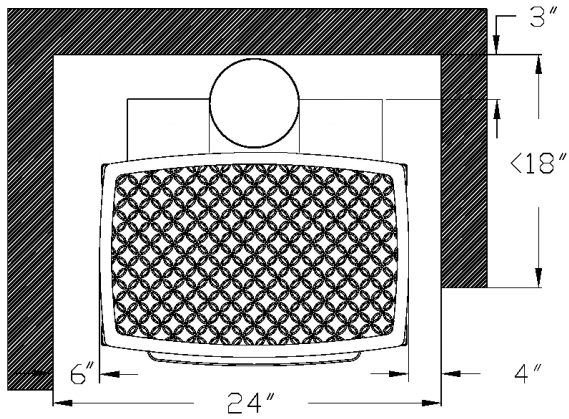
- 🔥 Note: Ensure clearances are in accordance with local installation codes and the requirements of the gas supplier. Dégagement conforme aux codes d'installation locaux et aux exigences du fournisseur de gaz.
- 🔥 Due to high surface temperatures, locate the unit out of traffic areas and away from furniture and draperies. Do not place clothing and other flammable material on or near the heater. When positioning the unit always maintain adequate clearances around air openings into the combustion chamber and allow for adequate ventilation. Minimum clearances to combustibles must be maintained as shown in Figures 5 - 8.

Note: The rear clearance to combustibles is determined by either the unit's or the vent pipe's minimum clearance, depending on whether the installation calls for vertical rise within the room or a rear exit, through-the-wall vent pipe. Ensure you consider the need for access to the gas control valve access door on the front of the unit as well as full access for periodic cleaning and servicing. Also consider clearance for the blower assembly if present, or planned in the future

- 🔥 **CAUTION: THESE CLEARANCES REPRESENT MINIMUM DISTANCES IN ALL CASES, WHICH, THROUGH TESTING IN AN INDEPENDENT LABORATORY TO ANSI AND CSA STANDARDS, WILL PREVENT FIRE OR SPONTANEOUS COMBUSTION. WE DO NOT CONTROL THE COMBUSTIBLE MATERIALS EXPOSED TO HEAT BY THIS PRODUCT; THEREFORE, AN ASSESSMENT MUST BE MADE BY THE INSTALLER TO PREVENT CONSEQUENTIAL DAMAGE OF WALLS AND FLOORING.**

Hearth Requirement/Floor Protection

You can place the Stowe directly on any non-combustible surface or on a wood floor. When placing the Stowe on any other type of combustible surface you must install a panel made of metal, wood, stone, or glass under the appliance. The panel must extend the full width and depth of the appliance. Installations must meet all local codes.



If the side wall is 18" or less deep the side clearance is 4".

Figure 5 - Minimum Wall Clearances

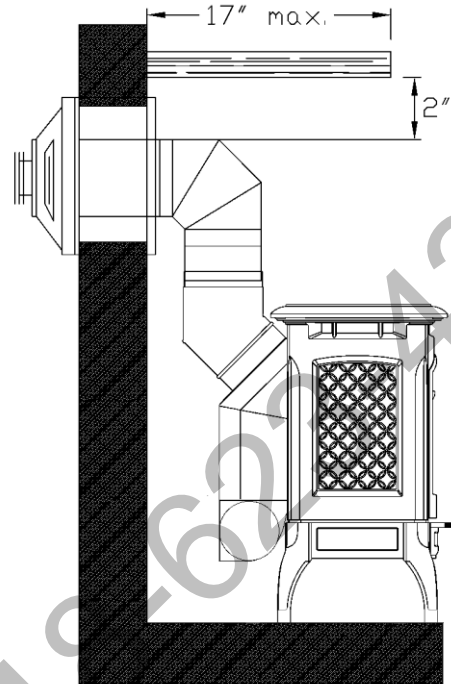


Figure 7 - Horizontal Vent Mantle Clearance

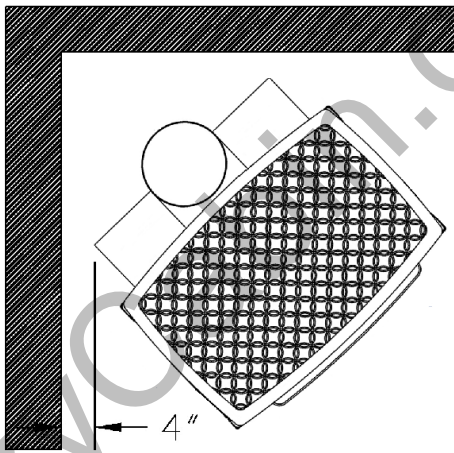


Figure 6 - Corner Clearances

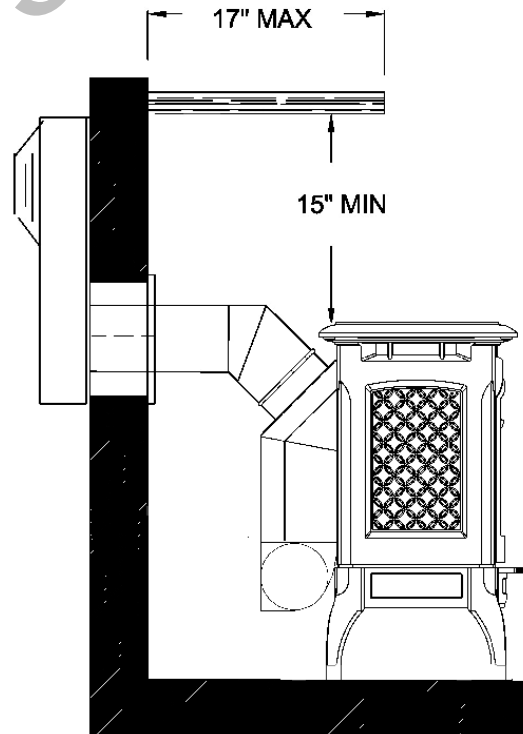


Figure 8 - Snorkel Termination Mantle Clearance

VENTING INFORMATION

VENTING COMPONENTS

Starter collar is installed by Hearthstone.

Use the following instructions along with the pipe manufacturer's instructions to complete the installation. Do not mix vent components from different manufacturers within the same venting system.

APPROVED VENTING MANUFACTURERS

The Stowe Direct Vent (8325) is approved for installation only with the venting components provided by manufactures listed on this page.

Simpson Dura-Vent, Inc.
P.O. Box 1510
Vacaville, CA 95696-1510 800-835-4429

American Metal Products (*AmeriVent*)
8601 Hacks Cross Rd.
Olive Branch, MS 38654 800-423-4270

Selkirk Corporation
1301 W. President George Bush Hwy, Suite 330
Richardson, TX 75080-1139 800-992-8368

Security Chimneys International Ltd (*Secure Vent*)
2125 Monterey, Laval, Quebec
Canada, H7L 3T6 450-973-9999

ICC, Inc.
400 J-F Kennedy, St. Jerome, Quebec
Canada, J7Y 4B7 450-565-6336

Metal-Fab, Inc.
P.O. Box 1138
Wichita, Kansas 67201 316-943-2351

VENTING TERMINATIONS

The Stowe cannot be vented jointly with any other solid fuel or gas appliance. It must be vented directly to the outside of the building using a proper termination as listed in this manual. After determining the venting configuration for your stove, select the vent system that will best accommodate your installation.

CAUTION: ENSURE ALL STOVE AND TERMINATION CAP CLEARANCES ARE OBSERVED PER THIS OWNER'S MANUAL.

CAUTION: ENSURE THERE IS NO WIRING OR PLUMBING IN THE CHOSEN LOCATION.

CAUTION: DO NOT RECESS VENTING TERMINALS INTO A WALL OR SIDING.

APPROVED VENTING CONFIGURATIONS

WARNING: IN HIGH WIND AREAS AND PARTICULARLY COLD CLIMATES IT MAY BE NECESSARY TO HEAT YOUR VENT SYSTEM WITH THE PILOT PRIOR TO IGNITION OF THE MAIN BURNER. IN THESE INSTANCES IT IS RECOMMENDED THAT YOU LEAVE THE PILOT RUNNING FOR 5 MINUTES PRIOR TO IGNITING THE MAIN BURNER. THIS WILL ALLOW FOR PROPER START UP AND IGNITION OF ALL PORTS ON THE BURNER.

There are three types of venting configurations approved for use with this appliance:

- 🔥 Vertical Venting/Vertical Termination
- 🔥 Vertical Venting/Horizontal Termination
- 🔥 Horizontal Venting/ Snorkel Termination

Pipe Clearances to combustibles:

- 🔥 1" to vertical runs
- 🔥 1" below and to the side of horizontal runs
- 🔥 2" from the top of horizontal runs

Vertical Venting and Termination

The Stowe 8325 is approved for venting vertically through a roof or ceiling. When installing a vertical vent and/or vertical terminations you must adhere to the following requirements:

- 🔥 When terminating vertically you must have at least 10' of vertical pipe.
- 🔥 Always maintain a minimum of 1" clearance from all sides of the vent system to any combustible material (2" from top).
- 🔥 A listed fire stop is required at any floor penetration. The opening must be framed in according to the venting manufacturer's instructions.
- 🔥 Steep roofs, nearby trees, or predominantly strong windy conditions can promote poor draft or down draft conditions. In this event, an increase to the height of the vent may improve performance.
- 🔥 A maximum of two 90° or four 45° elbows may be used in vertical terminations. (This includes the one 45° elbow off the stove outlet) Whenever possible use 45° elbows instead of 90° elbows as they offer less restriction to the flue gases.
- 🔥 Vertical terminations may require additional restriction in order to perform as intended. Please refer to Figures 29 & 30 to adjust your vent restrictor accordingly

- 🔥 All termination caps must be no less than 18" (457mm) horizontally from any roof or vertical surface. See Figure 9.
- 🔥 The termination must fall within the chart in Figure 13.
- 🔥 The maximum vertical run is 35'

The vent/air intake termination clearances above the high side of an angled roof are as follows:

Roof Pitch	Feet	Meters
Flat to 6/12	1	0.3
7/12 to 9/12	2	0.6
10/12 to 12/12	4	1.2
13/12 to 16/12	6	1.8
17/12 to 21/12	8	2.4

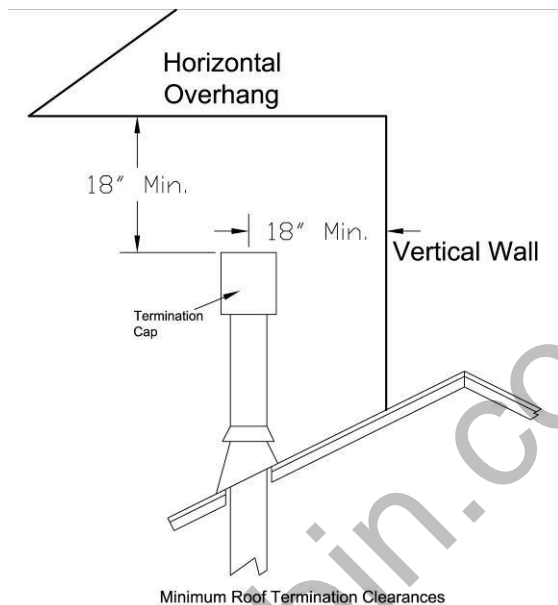


Figure 9 - Termination Cap clearances

PREFABRICATED & FIREPLACE CHIMNEY INSTALLATIONS

The Stowe 8325 is approved for use with direct vent chimney conversion kits in masonry or prefabricated solid fuel listed chimneys. The following installation requirements must be followed:

- 🔥 The termination must fall within the chart shown in Figure 12.

- 🔥 In a masonry chimney, a fireclay liner or listed steel liner, must be present the entire length of the chimney.
- 🔥 The maximum length of vent is 35'.
- 🔥 The liner must have an inside dimension or diameter 6" or greater.
- 🔥 Prefabricated chimneys must be UL103 or ULC S-629 listed and have a minimum INSIDE diameter of 6". Prefabricated chimneys must be listed for the specific manufacturer's conversion kit.

The use of an existing chimney as an air intake is not listed under the ANSI Z21.88 / CSA 2.33-2016 test methods; this installation has been tested and approved by Intertek Testing Services with an appropriate test. The code authority having jurisdiction must be consulted prior to proceeding with this installation method.

HORIZONTAL TERMINATION

- 🔥 The termination must fall within the area shown in Figures 9 & 12.
- 🔥 A minimum of 9" rise is required either directly off the heater or with the use of a minimum of a 14" snorkel.
- 🔥 Use a vinyl siding Stand-Off when installing against vinyl siding. The termination cap must not be recessed into the wall or siding. Do not fill air spaces with any type of insulation material.
- 🔥 A minimum 10"X10" square hole is necessary for proper pipe clearance through a wall, provided the vent is positioned to maintain 2" minimum clearance at the top. A 1" minimum clearance must be maintained to combustible materials around the other sides.
- 🔥 All horizontal terminations must also comply with the clearance specifications to adjacent structures outlined in Figures 9 & 12.
- 🔥 Horizontal sections require a 1/4" rise every 12" of horizontal run.
- 🔥 **NOTE: For each 90° elbow after 2, remove 5' from the allowable horizontal run. For Canadian installations: remove 4' from the allowable horizontal run.**
- 🔥 At minimum vertical rise, maximum horizontal run is 10'. (If a 14" snorkel termination is used a maximum horizontal run of 10' is also applicable.)
- 🔥 **WARNING: FAILURE TO USE ONLY PARTS SPECIFICALLY APPROVED FOR USE WITH THIS APPLIANCE MAY RESULT IN PROPERTY DAMAGE OR PERSONAL INJURY.**

MINIMUM VENTING INSTALLATION INSTRUCTIONS

1. Install the 45° elbow over the outer collar. Place the elbow so that the twist lock end is pointing up.
2. Install one of the 9" pipe sections into the elbow by fully inserting it and turning approximately ¼ turn clockwise, until the 2 sections are fully locked. Install the 90° elbow in similar fashion.
3. Move the stove and pipe assembly back until the 90° elbow is flush to the wall. The 9" vertical pipe should be parallel to the wall. Draw a circle around the pipe. Use the center of this circle as the center point of the 10" x 10" square wall pass through. Cut and frame the wall pass through.
4. Place the interior wall thimble into the 10" x 10" wall pass through. Secure it with 4 screws (not provided). Install the exterior portion of the thimble in similar fashion, overlapping the 2 sections.

CAUTION: FOR BUILDINGS WITH VINYL SIDING, INSTALL A VINYL SIDING STANDOFF BETWEEN THE VENT CAP AND THE EXTERIOR WALL.

5. Install the horizontal vent termination on the outside of the wall. Ensure both of the retaining straps extend through interior wall thimble. Before attaching the vent termination to the outside of the house, run a bead of non-hardening mastic around its' outside edges, so as to make a seal between it and the wall. The arrow on the end cap should point up. Secure the cap to the wall with the appropriate screws.
6. Place the thimble cover onto the 90° elbow. Put the 9" pipe into the horizontal vent cap, (the vent pipe must extend into the horizontal vent cap a minimum of 1-1/4"). Move the stove and vent pipe into position, insert the 9" pipe into the 90° elbow and twist to lock it. Secure the straps from the horizontal vent termination to the interior pipe with 2 sheet metal screws, keeping the screws as close to wall thimble as possible. Bend or cut the excess strapping so that the thimble cover will fit properly. Screw the thimble cover to the wall.

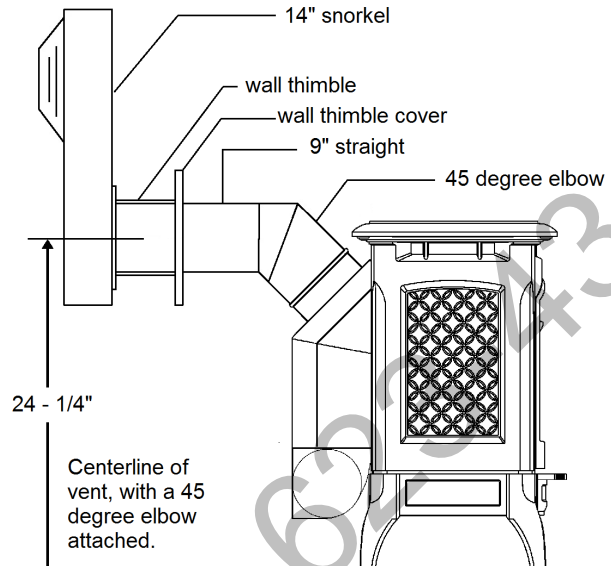


Figure 10 - Components for a Typical Snorkel Installation

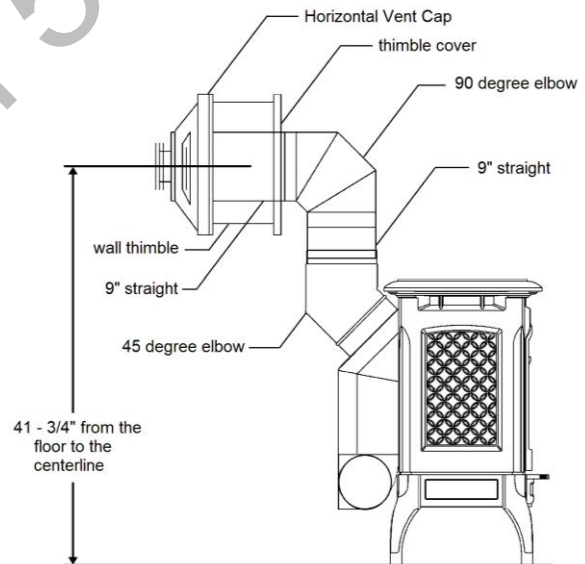


Figure 11 - Components for a Typical Minimum Horizontal Venting Installation

Centerlines shown are approximate. Ensure you dry fit your venting and take a measurement. Pipe dimensions will vary by manufacturer and supplier. These dimensions are using typical Simpson Dura-Vent GS components. See installation instructions on this page.

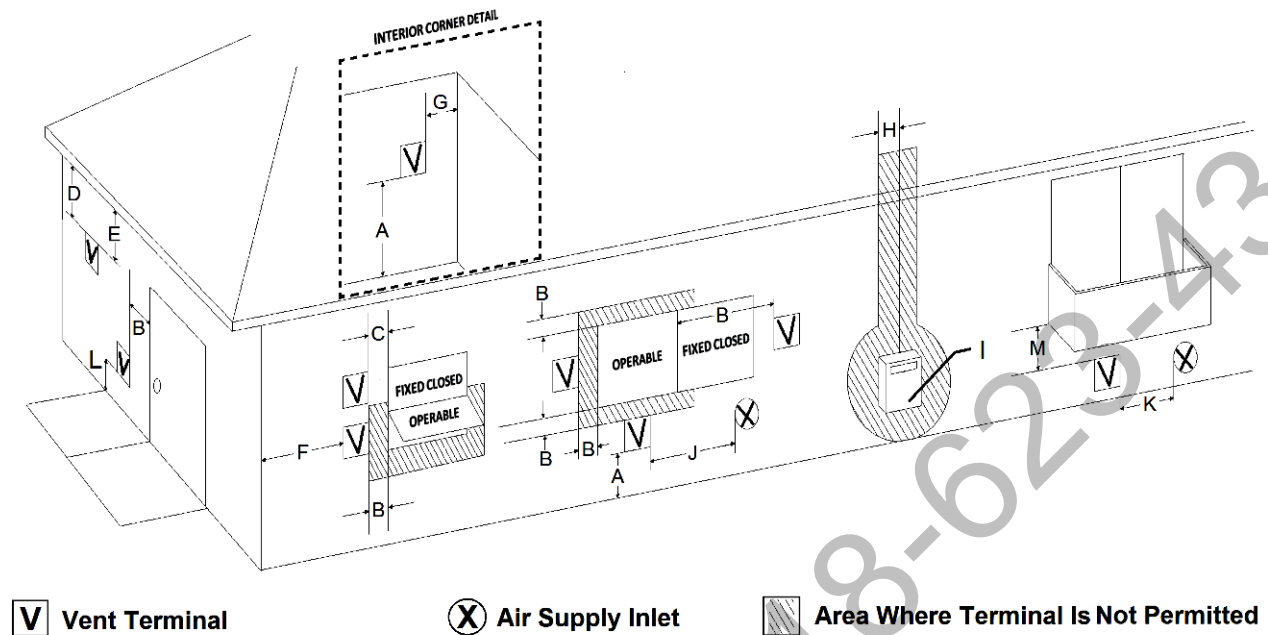


Figure 12 - Acceptable Direct Vent Terminal Vent Cap Locations

A = Clearance above grade, veranda, porch, deck, or balcony: 12 inches (30cm) minimum.

B = Clearance to window or door that may be opened: **Min. 9 inches U.S./12 inches (30cm) CAN. We recommend 12 in, minimum to prevent condensation on the window.

C = Clearance to permanently closed window: **Min. 9 inches, U.S./12 inches (30cm) CAN.

We recommend 12 in. minimum to prevent condensation on the window.

D = Vertical clearance to ventilated soffit located above the termination within a horizontal distance of 2 feet (60cm) from the center line of the termination: 18 inches (46cm) minimum.

E = Clearances to unventilated soffit: 12 inches (30cm) minimum.

F = Clearance to outside corner: **Min. 9 inches, U.S./12 inches (30cm) CAN. We strongly recommend 12 inches, particularly where windy conditions prevail.

G = Clearance to inside corner: **Min. 6 inches, U.S./12 inches (30cm) CAN. We strongly recommend 12 inches, particularly where strong winds prevail.

H = *Not to be installed within 15 feet (4.5m) above a meter/regulator assembly within 3 feet (91cm) horizontally from the center line of the regulator.

I = Clearance to service regulator vent: 3 feet (91cm)

J = Clearance to non-mechanical air supply inlet to building or the combustion air inlet to any other appliance: 12inches (30cm) minimum.

K = Clearance to a mechanical air supply inlet: **Min. 3 feet (91cm) above if within 10 feet horizontally, U.S./6 feet (1.83m) CAN minimum.

L = ¹Clearance above paved sidewalk or a paved driveway located on public property: 7 feet (2.1m) minimum.

M = ²Clearance under veranda, porch, deck, or balcony: 12 inches (30cm) minimum.

**In accordance with CSA B149 Installation codes.*

***In accordance with the current ANSI Z223.1/NFPA 54, National Fuel Gas Code. Note: Local Codes and Regulations may require different clearances.*

¹A vent shall not terminate directly above a sidewalk or driveway which is located between two single family dwellings and serves both dwellings

*²Only permitted if veranda, porch, deck or balcony, is fully open on a minimum of two sides beneath the floor.**

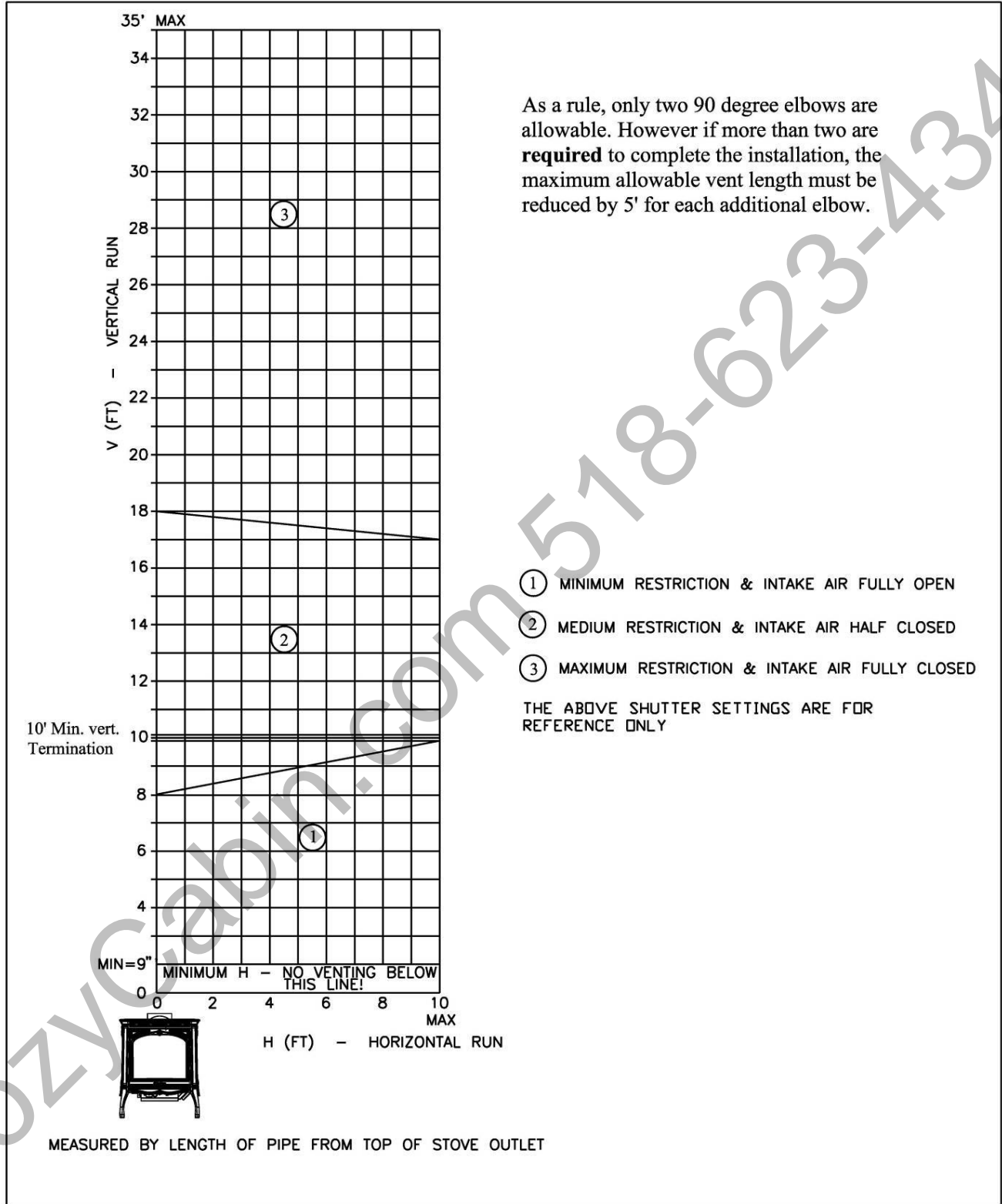
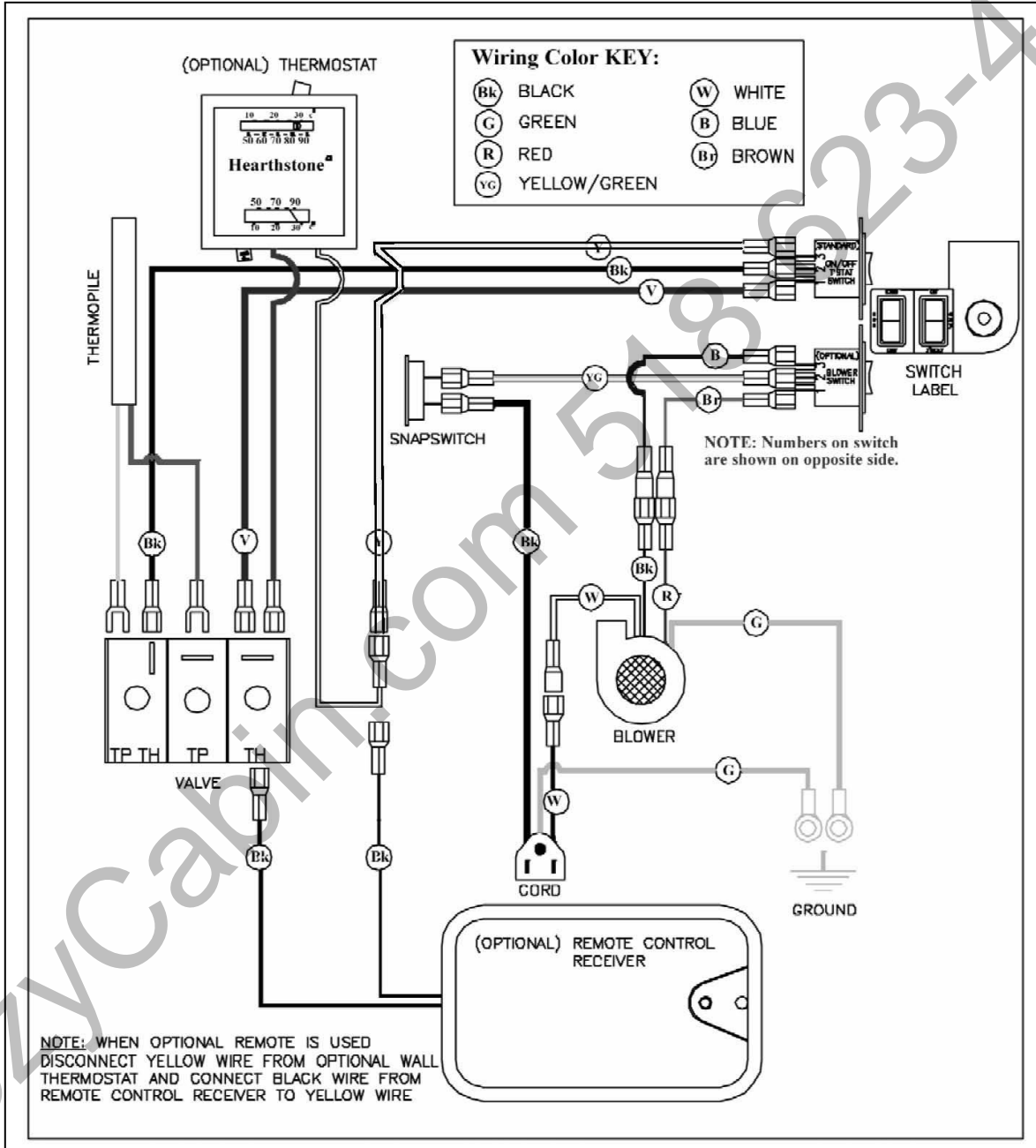


Figure 13 - Venting Termination Diagram

ELECTRICAL SYSTEM INFORMATION

CAUTION: LABEL ALL WIRES PRIOR TO DISCONNECTION WHEN SERVICING CONTROLS. WIRING ERRORS CAN CAUSE IMPROPER AND DANGEROUS OPERATION. VERIFY PROPER OPERATION AFTER SERVICING. (ATTENTION: AU MOMENT DE L'ENTRETIEN DES COMMANDES, ÉTIQUETEZ TOUS LES FILS AVANT LE DÉBRANCHEMENT. DES ERREURS DE CÂBLAGE PEUVENT ENTRAÎNER UN FONCTIONNEMENT INADEQUATE ET DANGEREUX.)



The proper location of wire connections is shown in the following figure.

Figure 14 – Stowe 8325 Wiring Diagram

Gas Supply & Connections

Connection Location

The gas supply connection is made to the Stowe's gas control valve under the bottom right center of the unit using a 3/8" male NPT fitting. The supply line should be 1/2" diameter, or appropriately sized to provide a sufficient gas supply to meet the maximum demand of the unit without undue loss of pressure. We recommend a flexible line to avoid undue mechanical load on the valve and to ease thread alignment, but refer to local codes.

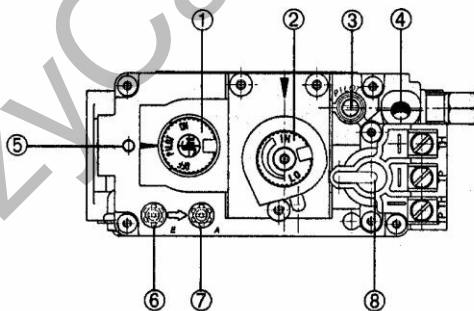
The Stowe is factory equipped to use natural gas (NG) and requires conversion for use with propane (LP). A propane (LP) fuel conversion kit is included with your stove purchase.

Gas Supply

This appliance and its individual shutoff valve must be disconnected from the gas supply piping system during any pressure testing of that system at test pressures in excess of 1/2 psig. The Stowe must be isolated from the gas supply piping system by closing its individual manual shutoff valve during any pressure testing of the gas supply piping system at test pressures equal to or greater than 1/2 psig. Over pressurizing can damage the control resulting in leakage or control malfunction.

VALVE DESCRIPTION

- | | |
|--|------------------------------|
| ① Gas cock knob | ⑥ Inlet pressure test point |
| ② Manual HI-LO adjustment or pressure regulator adjustment | ⑦ Outlet pressure test point |
| ③ Pilot adjustment | ⑧ Main operator |
| ④ Thermocouple connection | ⑨ Pilot outlet |
| ⑤ Mounting for piezo & bracket | ⑩ Main gas outlet |



🔥 **NOTICE:** A QUALIFIED TECHNICIAN MUST CONNECT THE HEATER TO THE GAS SUPPLY AND LEAK TEST THE UNIT BEFORE IT IS APPROVED FOR USE. CONSULT ALL CODES.

🔥 **WARNING:** THE UNIT MUST BE INSTALLED AND CONNECTED IN ACCORDANCE WITH LOCAL CODES, OR IN THE ABSENCE OF LOCAL CODES, WITH THE MOST CURRENT EDITION OF THE NATIONAL FUEL GAS CODE ANSI Z223.1 (NFPA 54) OR CAN/CGA B149 INSTALLATION CODE. *INSTALLER L'APPAREIL SELON LES CODES OU RÈGLEMENTS LOCAUX, OU, EN L'ABSENCE DE TELS RÈGLEMENTS, SELON LES CODES D'INSTALLATION CAN/CGA-B149*

🔥 NFPA Code and Hearthstone require the use of a dedicated sediment trap just upstream of the unit. Damage to the valve, or other components due to the lack of a sediment trap are not covered by warranty (see figure 16).

High Altitude Installations

For high altitude installations consult the local gas distributor or the authority having jurisdiction for proper rating methods.

The decreased atmospheric pressure at higher altitudes affects the heat value of fuel gases. Gas suppliers typically derate the gas intended for use at elevations above 2000 feet (610 meters). Refer to the instructions in kit #95-56242 for NG high altitude adjustment.

- | |
|-----------------------------------|
| ⑪ Flange securing screw holes |
| ⑫ Additional valve mounting hole |
| ⑬ Alternative TC connection point |
| ⑭ Thermoelectric unit |

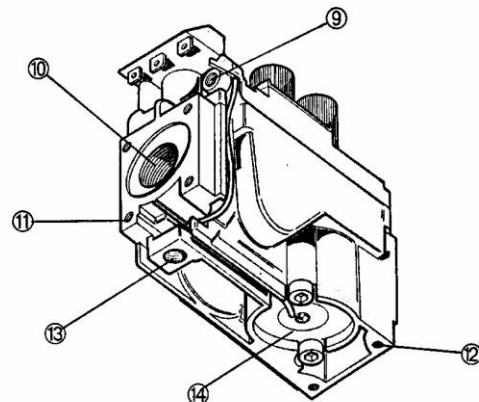


Figure 15 – SIT 820 Valve

🔥 WARNINGS

- Fire or Explosion Hazard. Can cause property damage, severe injury, or death. Do NOT bend tubing at gas valve connection point after compression fitting has been tightened. This can result in gas leakage at the connection.
- Use new properly prepared pipe free from metal or material chips. When tubing is used, assure that ends are square, de-burred and clean. All tubing bends must be smooth and free of distortion.
- Do NOT over tighten connections. Over tightening can damage the control body resulting in leakage or control malfunction.
- Do NOT remove screws from the gas valve. Do NOT adjust and/or alter any components marked with tamper indicating paint. Motor knob is not to be removed.
- Turn off gas supply at the appliance service valve before starting installation, and perform a Gas Leak Test after the installation is complete.
- Install the sediment trap (where required) in the gas supply line to prevent contamination of the gas valve (see figure 16).
- Use only your hand to push in or turn, the gas Control knobs. Never use tools. If a knob will not push in or turn by hand, do NOT try to repair it. Call a qualified service technician. Force or attempted repair will void warranty and can result in a fire or explosion.

GAS CONNECTIONS

Connection Main Gas (Tubing connections)

1. Do NOT use pipe joint compound or Teflon®/PTFE tape.
2. Slip nut and ferrule over tubing.
3. Slide nut and ferrule into place, and insert tubing into inlet/outlet connection until it bottoms. Turn until finger-tight.
4. Use a wrench to tighten nut about 1 turn beyond finger tight.

Connection Main Gas (Pipe Connections)

1. Do NOT use Teflon®/PTFE tape.
2. Pipe to be inserted into the valve must be the

proper thread length and to gauge. Thread that IS cut too long can cause distortion or malfunction if inserted too deeply.

3. Apply a moderate amount of approved pipe/sealant to the pipe only, leaving the two end threads bare.
1. Connect pipe to valve inlet and outlet.

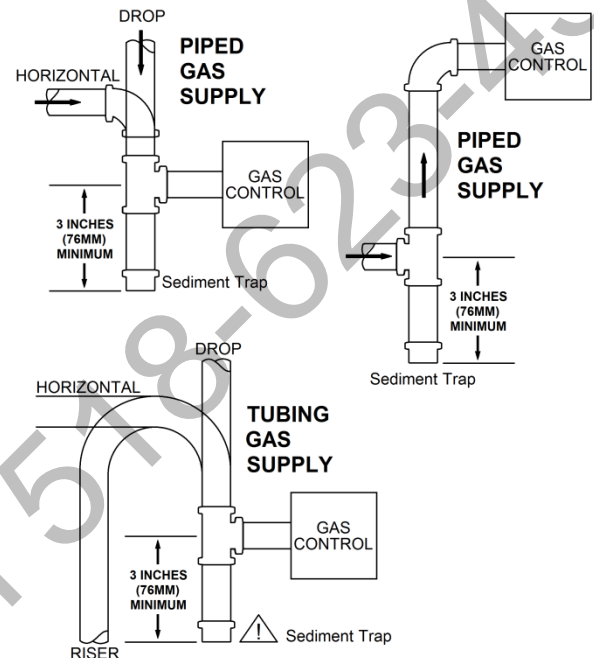


Figure 16 – Sample Gas Supply Sediment Traps

PERFORM INITIAL GAS LEAK TEST

1. Check carefully for gas leaks immediately after the appliance has been installed and the gas turned on. **Do this before attempting to operate the appliance or other gas burning device.**
1. Use an approved non-corrosive leak detection fluid, or other approved leak detection method, around the diaphragm flanges, pipe connections, seal cap, and all other joints. Bubbles indicate a leak.
2. If no leakage is detected, proceed with the instructions listed on page 21 to light the main burner and perform a secondary leak check of the appliance gas supply system.
5. If a leak is detected, tighten pipe connections (including adapters) according to "GAS CONNECTIONS" (page 17).

WARNING

Absolutely no leakage should occur, otherwise there is a danger of fire or explosion depending upon conditions. Never use if leakage is detected.

Log Set Placement

- CAUTION: FRAGILE! HANDLE LOG SET WITH CARE. ALWAYS WEAR GLOVES AND SAFETY GOGGLES WHILE HANDLING THE LOG SET.**
- WARNING: FAILURE TO POSITION THE PARTS IN ACCORDANCE WITH THESE DIAGRAMS OR FAILURE TO USE ONLY PARTS SPECIFICALLY APPROVED WITH THIS APPLIANCE MAY RESULT IN PROPERTY DAMAGE OR PERSONAL INJURY. Avertissement. RISQUE DE DOMMAGES OU DE BLESSURES SI LES PIÈCES NE SONT PAS INSTALLÉES CONFORMÉMENT À CES SCHÉMAS ET OU SI DES PIÈCES AUTRES QUE CELLES SPÉCIFIQUEMENT APPROUVÉES AVEC CET APPAREIL SONT UTILISÉES.**

Place only the ceramic log set supplied with the unit in the firebox. Do not place any other ceramic logs, wood logs, or other materials in the firebox. If the log set is damaged or broken contact your dealer for replacement. The ceramic logs will last a long time; however, they will break if subjected to rough or improper handling. Exact positioning of the log set is required in order to obtain a pleasing flame pattern and efficient combustion. Incorrect log placement may cause carbon build-up; excess thermal stress on the log set and stove parts, reduced efficiency, and high levels of carbon monoxide. Position the log set exactly as shown in order to obtain a pleasing flame pattern and efficient combustion. Incorrect log placement can cause carbon build-up; excess thermal stress on the log set and stove parts, reduced efficiency, and high levels of carbon monoxide. If the log set does not fit into the firebox exactly as outlined, contact your dealer for assistance.

INSTALLATION OF THE LOG SET

(Refer to the following images in this section for log set assembly)

1. Remove the packaging material around the log set assembly. Be careful not to damage the log set when unpacking.



Figure 17 – Log Set Numbering

2. Place log 1 on support bracket as shown in Figures 18 & 19.

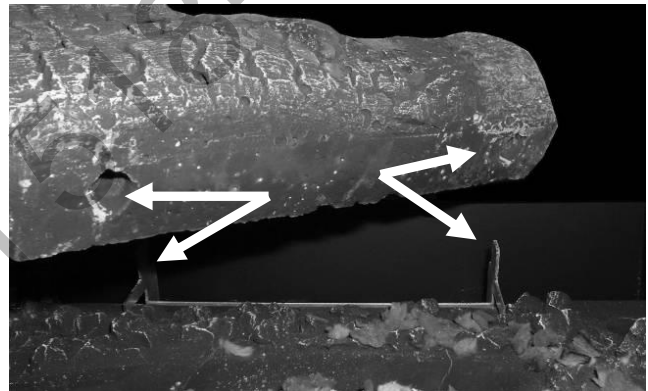


Figure 18 – Log 1 Mounting Detail

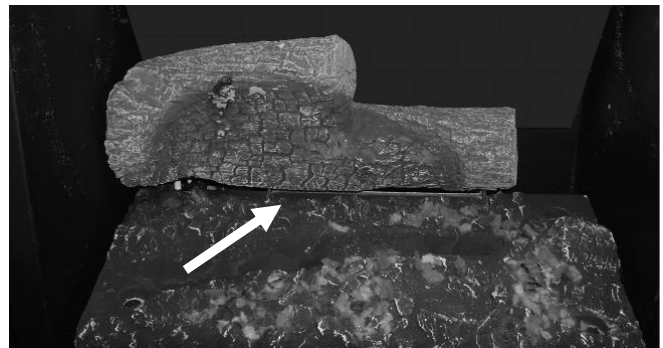


Figure 19 – Log 1 in Position

3. Place Log 2 into the channel in the burner in front of log 1 as shown in Figure 20.

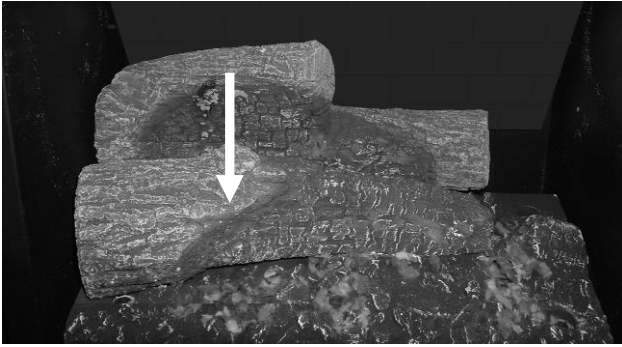


Figure 20– Log 2 Position

4. Place log 3 onto the end of log 1 as shown as shown in Figure 21.

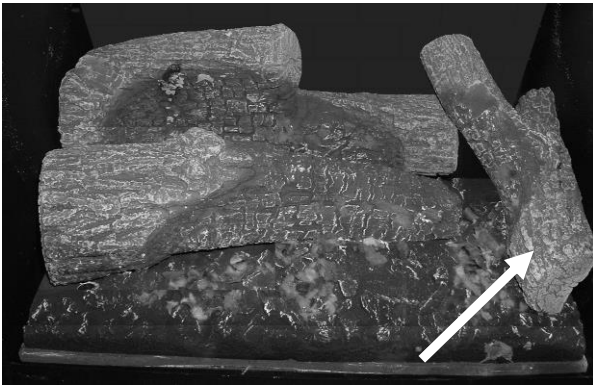


Figure 21 – Log 3 Position

5. Place log 4 on top of logs 1 and 2 as shown in Figure 22.



Figure 22 – Log 4 Position

6. Gently place Log 5 in the indentation on the burner and rest it on log 3 as shown in Figure 23.

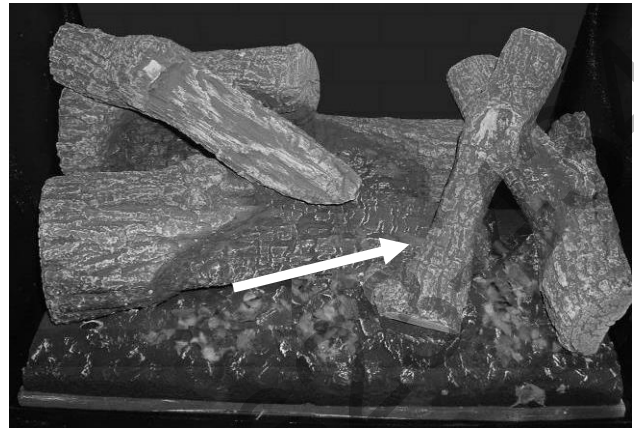


Figure 23 – Log 5 Position

7. Place small tufts of the Platinum Bright Embers on the burner and log surfaces for additional glow as desired – **do not block burner ports.**

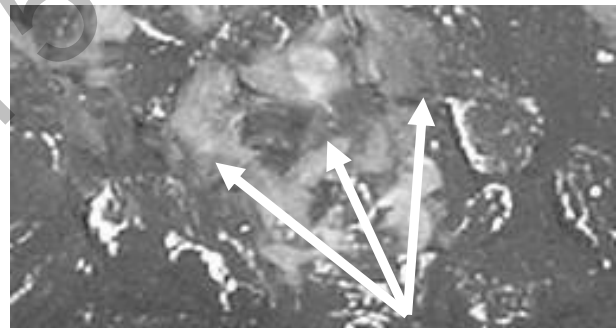


Figure 24 – Platinum Bright Embers (Enlarged to Show Detail)

REMOVAL OF LOG SET

- CAUTION: THE LOG SET, BURNER, AND EMBERS RETAIN HEAT AND CAN BE VERY HOT! ALLOW 2 TO 3 HOURS TO COOL AFTER PILOT LIGHT IS TURNED OFF FOR SAFE HANDLING.**

To remove the log set, follow the Installation of Log Set instructions in reverse order.

Completing the Installation

Once the firebox is closed and all cast iron panels are re-installed, follow start up procedure outlined below.

LIGHTING THE UNIT THE FIRST TIME

SMOKE AND FUMES WARNING

When lit for the first time, the Stowe will emit some smoke and odors. This is normal “off-gassing” of the paints and oils used in the manufacturing, and assembly of the unit. Open windows to vent the room if necessary. The off gassing and fumes will subside after the first 10 to 20 minutes of operation.

Once the Stowe in place and connected as described previously, the unit is ready to be lit for the first time. Hearthstone tests each Stowe before shipment, so ignition should take place without failure.

PILOT LIGHT

The Stowe has a piezoelectric spark igniter (the red or black push button located next to the gas control valve behind the valve access door), which ignites the pilot light by means of a spark at the pilot light assembly. Do not attempt to light the unit with a match or by any means other than the piezoelectric spark.

PILOT ADJUSTMENT

The pilot light is preset by Hearthstone and should not need adjustment. The pilot light flame must be large enough to engulf the thermopile and thermocouple located next to the pilot, but not so large as to create excessive noise or consume excessive gas. However, it can be adjusted by means of the pilot light adjustment screw located on the gas control valve (see Figure 15). Remove the ash lip casting to access the pilot adjustment screw. Note that the pilot flame must engulf the thermopile so that the thermopile can generate sufficient millivoltage (325 to 500-mv) to power the millivolt gas control valve.

Before lighting, smell, or use a gas detector all around the appliance area to check for gas leaks. Be sure to test near the floor because some gases (LPG) are heavier than air and will settle on the floor. If you detect gas, check for leaks.

WARNING! THE CONTROL HAS AN INTERLOCK DEVICE. IF THE STOVE WAS RECENTLY BURNING, IT WILL NOT RELIGHT IMMEDIATELY. AFTER SHUTTING OFF ALL GAS FLOW, THE PILOT BURNER WILL NOT RELIGHT UNTIL THE THERMOCOUPLE HAS COOLED, RELEASING THE ELECTROMAGNET (APPROX. 60 SEC.). THE GAS CONTROL KNOB IS DESIGNED TO

OPERATE BY HAND. DO NOT USE ANY TOOLS DURING THIS OPERATION.

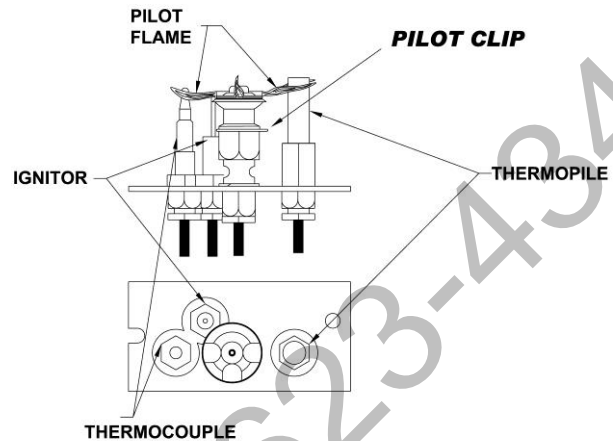


Figure 25: Pilot Assembly Detail

LIGHTING INSTRUCTIONS

1. Set the on/off/T-stat switch or thermostat to the off position.
 2. Unplug the blower accessory, if so equipped.
 3. Push in and turn gas control knob clockwise to “OFF”. *(If not previously lit, the knob should be in this position.)*
 4. Wait (5) five minutes to clear out any gas. If you then smell gas, STOP! *Smell all around the appliance area for gas. Be sure to smell next to the floor because some gases (LPG) are heavier than air and will settle on the floor. If you smell gas immediately, follow the **What To Do If You Smell Gas!** warning on the cover of this Manual.* If you do not smell gas, go to the next step.
 5. Turn gas control knob counterclockwise to “PILOT”.
 6. Push in control knob all the way and hold in. Immediately light the pilot with the gas lighter (push in and “click” the piezoelectric spark igniter button several times until lit). Continue to hold the control knob in for about 20 seconds after the pilot is lit. Release the knob and it will pop back out. Pilot should remain lit. If the pilot goes out, repeat the operation.
- WARNING!** If knob does not pop out when released, stop and immediately call a qualified service technician or gas supplier.

- 🔥 If the pilot will not stay lit after several tries, turn the gas control knob “OFF” and call a qualified service technician or gas supplier.
7. Turn gas control knob counterclockwise to “ON”.
 8. Select “ON” or “T-STAT” position on the on/off/t-stat switch.
 9. Shut the gas control valve access door.
 10. Plug in the blower accessory, if so equipped.
 11. Set thermostat to “ON” and set the desired temperature setting.

Normally, if the “T-STAT” position was selected, the main burner is cycled on and off by the Thermostat or the “on”, “off” switch located on the bottom of the Thermostat body.

TO TURN OFF THE APPLIANCE

Turn the gas control knob clockwise to “OFF” position, and shut off the gas supply to the valve if shutting the unit off for the non-heating season. This will improve the overall efficiency of the unit as the heat from the pilot is wasted in the summer. Follow the lighting instructions outlined on this page when putting the unit back into service.

VARIABLE OUTPUT CONTROL

The gas control valve is equipped with a variable output control. This control varies the *rate* of heat produced by the unit by varying the gas pressure to the main burner tube.

DAILY OPERATIONS

The Stowe gas-fired heater is easy to operate. The Stowe comes with the option to install a wall mounted 750 millivolt thermostat, an optional remote (REMOTE CONTROL KIT # 90-56914), or other programmable thermostats are available for purchase from your local Hearthstone dealer. The desired room temperature is maintained with a properly adjusted and installed thermostat. By adjusting the variable output control located on the gas control valve, the *rate* of heat output is varied to meet the heating requirements of the season. Choosing a low flame setting will result in longer burn cycles at a reduced output, while choosing a high flame setting will result in a shorter, hotter burn cycle. Through trial and error, the homeowner can select the optimum flame size for their setting, and application. Also available is an optional variable speed blower.

7 Day Pilot Light Timeout

To meet many regional efficiency regulations, the Stowe 8325 is equipped with a gas valve which will extinguish the pilot light after 7 days of inactivity of the main burner. The pilot must be relit if the unit has been inactive for 7 days. See page 21 for lighting instructions. This feature can be overridden by installing a programmable thermostat set to turn the stove on for a period of time, at least once a week outside of peak heating season.

AIR SHUTTER ADJUSTMENTS

🔥 **WARNING: THE ADJUSTING ROD IS HOT!**

🔥 **WARNING: THE AIR SHUTTER IS FACTORY SET AND ONLY A QUALIFIED GAS TECHNICIAN SHOULD MAKE ADJUSTMENTS.**

The air shutter is adjustable while the stove is burning. Loosen the set screw on the adjusting rod located in the lower rear center of the stove. Move the rod in or out to adjust the flame pattern (see Figures 26 and 27). Push the rod in to open the air shutter, and pull it out to close the shutter. When the flame pattern is correct, tighten the set screw without letting the rod move.

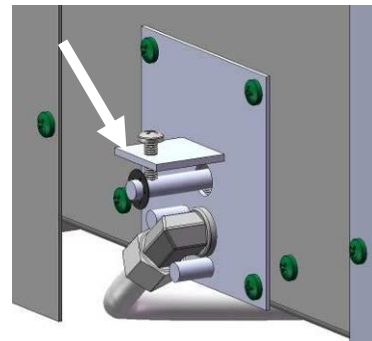


Figure 26 – Air Shutter Open

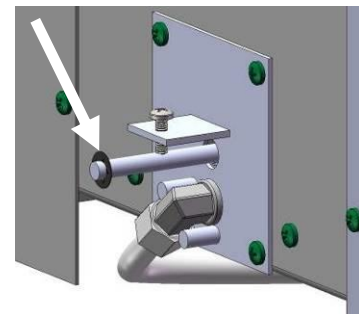


Figure 27 – Air Shutter Closed

Note: Very little movement is needed to substantially change the burn and flame patterns. Some conditions cannot be corrected through air shutter adjustment; an adjustment must be made to the gas supply pressure. Supply line/manifold gas line pressure adjustments must be performed by qualified service personnel. Do not attempt to complete any part of the installation or adjustment of this unit unless technically qualified to do so.

BURNER FLAME APPEARANCE

Once the unit is lit, observe the flame pattern and adjust as necessary. Also, a periodic visual check of the burner flame should be performed. The burner flames can be adjusted by means of the air shutter. To determine if the burner flame needs adjustment, it is necessary to view the flame pattern with the valve output at its highest setting. Allow the unit to operate for 10 minutes enabling the entire unit to reach temperature and for the flame pattern to stabilize. The flame pattern should be similar to the one shown in Figure 28. There are several guidelines to aid in determining if the flame pattern is correct:

1. The flame should not be dirty, smoky, sooty, or lick the top of the stove.
2. The flame should not rise off the pan burner; this is called "lifting".
3. Flames should not impinge heavily on the log set. They should "fit" through the pre-formed spaces designed in the log set.



Figure 28 – Typical Burner Flame Appearance

RESTRICTOR PLATE

The restrictor plate is used to control excess draft if necessary. Controlling the draft also changes the aesthetics of the flame. The restrictor plate has a large range of unlimited settings (see Figures 29 & 30). The adjustment point is on the left side of the firebox (from front).

RESTRICTOR PLATE POSITION

The restrictor plate is factory set in the fully open position for shipping. Leave in the open position until installation is complete and adjust as necessary from there. This ensures proper flames for a wide variety of vent configurations and efficiency. The restrictor plate consists of a rotating flap in front of the firebox exhaust port behind the baffle plate. Depending on your vent configuration, you may need to adjust the restrictor plate position to reduce draft.

RESTRICTOR PLATE ADJUSTMENT

Loosen the screw and position the restrictor plate in the desired location. Tighten the screw to lock in place.

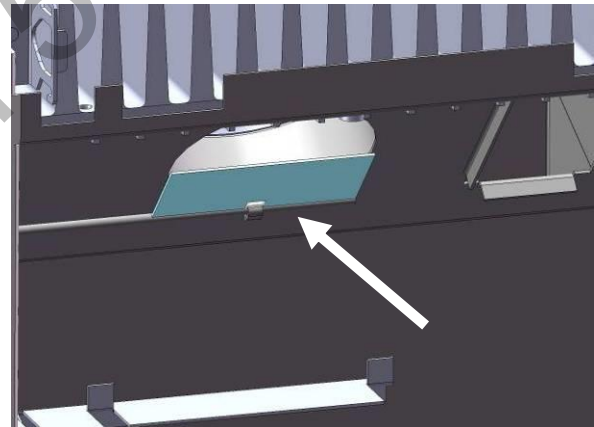


Figure 29 - Restrictor Fully Closed Detail (baffle removed for clarity)

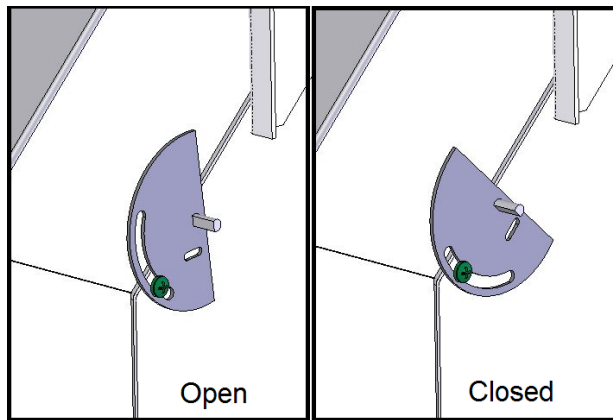


Figure 30 - Restrictor Adjuster Arm Detail

Routine Maintenance and Care

YOUR STOWE REQUIRES MINIMAL ROUTINE MAINTENANCE AND CARE. ENSURE THE UNIT IS COOL AND OFF WHEN CLEANING, OR SERVICING.

WARNING: DO NOT SUBSTITUTE MATERIALS.

For replacement parts, or for information about parts or service, contact your local Hearthstone dealer.

Any safety screen or guard removed for servicing an appliance must be replaced prior to operating the appliance. *Tout écran ou protecteur retiré pour permettre l'entretien de l'appareil doit être remis en place avant de mettre l'appareil en marche.*

CLEANING

WARNING: DO NOT CLEAN THE UNIT WHEN HOT.

The unit should receive regular cleaning on, under, and around the stove to prevent the buildup of dust and lint. The exterior surfaces of the unit can be cleaned using soap, water, and a soft cloth. Do not use abrasive or chemical cleaners and take care not to scratch the glass or enamel finish (if so equipped) when cleaning the unit. The use of chemical wax based cleaners or polishes are not recommended due to the potential for discoloration of the castings, or enamel when the residue of the cleaners or polishes is exposed to heat. Excessive buildup of dust, spider webs, or room air contamination may cause odors when the stove is hot.

MONTHLY (OR AS NEEDED):

GLASS CLEANING

As fuel gas may contain some impurities; it will be necessary to clean the inside of the glass occasionally. Do not use abrasive cleaners. Scratching the glass will weaken the integrity of the glass. **Do not clean the glass when hot!** Allow the glass to cool and apply a mild window cleaning fluid. Special gas appliance window cleaner is available from your local Hearthstone dealer.

Inspect the glass for micro cracking or etching. If microcracking or etching is found, the stove must be taken out of service and the glass must be replaced with replacement parts sourced from your Hearthstone dealer.

WARNING: DO NOT OPERATE THIS APPLIANCE WITH THE GLASS PANEL REMOVED, CRACKED, OR BROKEN. DO NOT SUBJECT THE GLASS OR ITS FRAME TO ABUSE, SUCH AS STRIKING OR BENDING. REPLACEMENT OF THE GLASS PANEL SHOULD BE DONE BY A LICENSED OR QUALIFIED SERVICE PERSON. *NE PAS UTILISER L'APPAREIL SI LE PANNEAU FRONTAL EN VERRE N'EST PAS EN PLACE, EST CRAQUÉ OU BRISÉ. CONFIEZ LE REMPLACEMENT DU PANNEAU À UN TECHNICIEN AGRÉÉ.*

NOTE: If the venting system is disassembled for any reason, re-install per the instructions provided in the venting section of this manual.

ANNUALLY

Clean Firebox, Pilot, & Burner Assembly

The firebox requires periodic cleaning to prevent the accumulation of dust, lint, and other debris. To clean the firebox, set the switch to the "OFF" position, and turn off the gas supply to the valve. When the unit is cool, remove the front panel and glass (see pages 9-10 for Firebox Access instructions) and carefully remove the decorative ceramic log set, taking care not to damage the logs or chip the enamel cast iron. Remove all ember material. Clean the firebox baffle, ceramic burner, and carefully vacuum the entire surface of the log set with a soft brush attachment. Thoroughly vacuum the ports (holes) along the top of the burner, and the pilot assembly.

With the decorative ceramic logs out of the firebox, reseal the firebox and briefly light the unit according to the lighting instructions described on page 21. Check to ensure a proper flame is burning from each

burner port. The pilot flame should be burning properly as shown in Figure 25.

🔥 NOTE: Do not operate the unit for more than 1-2 minutes without the log set in place.

Check and clean any burner ports that are not burning, or not burning properly. Clean burner ports using a soft brush or vacuum cleaner. If the pilot flame height needs adjustment, it should be adjusted by qualified service personnel as described on page 21.

Complete the cleaning procedure by carefully placing the log set within the firebox as described on pages 19-20. Reattach the glass and front panel to seal the firebox. Turn on the gas, light the unit and check for proper operation. Flame patterns should look similar to the flames in Figure 28. Regularly check to ensure the area around the Stowe is kept free from combustible materials, gasoline, and other flammable vapors and liquids. Check that the flow of combustion and ventilation air is not obstructed.

PROFESSIONAL INSPECTION

Installation and repair should be done by a qualified service person. The appliance should be inspected before use and at least annually by a qualified service person. More frequent cleaning may be required due to excessive lint from carpeting, bedding material, etc. It is imperative that control compartments, burners and circulating air passageways of the appliance be kept clean. *L'installation et la réparation devrait être confiées à un technicien qualifié. L'appareil devrait faire l'objet d'une inspection par un technicien professionnel avant d'être utilisé et au moins une fois l'an par la suite. Des nettoyages plus fréquents peuvent être nécessaires si les tapis, la literie, et cetera produisent une quantité importante de poussière. Il est essentiel que les compartiments abritant les commandes, les brûleurs et les conduits de circulation d'air de l'appareil soient tenus propres.*

AS NEEDED

Glass and Gasket Replacement

After 5 years of use the "Neoceram" glass must be inspected for microcracking or etching caused by the deposition of products of combustion including sulfur, particularly when burning Propane gas.

Microcracking/etching reduces the strength of the glass and if found during inspection the "Neoceram" glass must be replaced. Neoceram is a proprietary glass-like material that must be

In the event that you need to repair or replace a cracked or broken glass, order kit 93-58230 (complete glass assembly with frame) and use the following instructions to replace the components. Your Stowe uses a folded flat fiberglass gasket to make a tight seal between the glass frame and the firebox. In time, the gasket can become brittle and compressed and should be replaced using the following instructions. New gasket material is also available from your Authorized Hearthstone Dealer. Protect your hands with work gloves, and wash up later.

1. Allow the Stowe to cool completely. If the glass is severely broken, first pull the broken fragments of glass away from the firebox using heavy-duty gloves.
2. Follow the instructions for removing the front glass described in Firebox Access on page 8. Remove the glass from the glass frame by drilling out the four 1/8" rivets that lock the glass in place. Pull the glass away from the frame and set it aside.


If replacing gasket only:

1. Remove the existing gasket from the glass by grasping one end and pulling firmly. Clean off as much of the hanging fiber "hairs" as possible
2. Locate the 3/4" x 1/16" flat tape gasket. Peel the adhesive protecting paper away from one end. Starting at the center of the long end of the glass apply the gasket centered on the edge of the glass. Continue to wrap the gasket around the edge until you meet at the starting point. Do not overlap the gasket ends or leave ends with ragged edges.
3. Firmly and evenly, fold the gasket around the edges of the glass so it lies flat on the surface.
4. Place the gasket back in the glass frame. With four new 1/8" rivets replace the 2 glass clips. The glass and frame are now ready to be placed back on the unit.

If replacing entire glass with kit:

1. Apply gasket to new glass as describe in steps 2-3 above.
2. Carefully install the new glass with frame onto the firebox and fasten in place using the swing clips .
3. Replace the cast iron by reversing the steps used for removal.

🔥 GLASS NEEDS TO BE REPLACED EVERY 5 YEARS STOVE IS IN SERVICE.

 **WARNING! DO NOT USE SUBSTITUTE MATERIALS. USE ONLY PARTS SUPPLIED BY HEARTHSTONE THROUGH AN AUTHORIZED HEARTHSTONE DEALER.**

 **CAUTION! DO NOT CLEAN THE GLASS WHILE THE UNIT IS HOT.**

VENTING COMPONENTS:

Venting should not need to be disassembled for normal cleaning. However, if venting is required to be removed for any reason, this should be done by a qualified service person only. It is imperative that the venting system be reinstalled according to the particular manufacturer's specifications and this is best performed by a professional.

Venting System Inspection

Periodic inspection of the venting system should be performed by a qualified service person or agency at least annually.

CozyCabin.com 518-623-4349

PARTS LIST

Part #	Description	Part #	Description
23xx-331	SIDE CASTING	7000-031	WIRE HARNESS
23xx-231	FRONT CASTING	7000-200	3 WAY SWITCH ON/OFF/TSTAT
23xx-230	VALVE CONTROL DOOR	7000-301	SWITCH: T'STAT, BLOWER
23xx-232	TOP	7200-243	ORIFICE: BURNER HOOD,#43 (NG)
2310-250	BAFFLE	7211-017	TUBE: FLEX 3/8" X 18"
2710-487	HEAT EXCHANGER	7211-020	FITTING 90 DEG 3/8-27 X3/8" COMP.
3160-105	GASKET: DELAYED IGNITION RELIEF	7211-220	SHUTTER: AIR CONTROL,PRIMARY
3160-106	GASKET: VENTURI /BURNER	7211-325	VALVE: SIT UNIVERSAL
3160-107	GASKET: REAR ORIFICE PLATE	7211-370	PILOT: TOP CONV, 3 WAY
3160-150	GASKET:HEAT EXCHANGER,4"x14.5	7211-588	BURNER
3160-152	GASKET: PILOT,1.75"x3",ADHESIVE BACK		
3160-155	GASKET: EXIT,4"x6"	<u>KITS</u>	
3160-157	GASKET: INLET,6-1/2"x9-5/16"	93-56250	FUEL CONVERSION KIT (NG)
3170-150	PLATINUM BRIGHT EMBERS	93-56251	FUEL CONVERSION KIT (LP)
5320-030	HEATSHIELD: SIDE,OUTER	93-56242	HIGH ALTITUDE KIT (NG)
5323-031	HEATSHIELD: SIDE,INNER	93-57230	BLOWER ASSEMBLY KIT
		90-56914	REMOTE CONTROL KIT
5323-032	SPACER: HEATSHIELD,SIDE	93-58230	GLASS KIT
5323-200	FIREBOX	97-67000	LOG SET KIT
5323-025	BASE: PLATE	7211-590-LOG: REAR	
5701-924HB	COLLAR: INLET/EXIT,4"x6-5/8"	7211-591-LOG: CENTER BASE	
5710-015	VENTURI: BURNER TUBE	7211-592-LOG: RIGHT, LOWER	
5710-100	PLATE:DELAYED IGNITION	7211-593-LOG: RIGHT, TOP	
5710-210	PLATE: REAR ORIFICE	7211-594-LOG: LEFT, TOP	
5323-060	PANEL: MODESTY, ASH LIP SUPPORT		
5324-010	BRACKET: VALVE MOUNT		
5324-015	BRACKET: VALVE STOP		
5710-277	PILOT SHIELD		
5710-279	HANDLE: SPRING HOOK		
5710-290	PLATE: RESTRICTOR		

 **WARNING! DO NOT SUBSTITUTE MATERIALS.**

For replacement parts, or for information about parts or service, contact your authorized Hearthstone retailer. For the name of the authorized retailer nearest to you, visit our website at www.hearthstonestoves.com.

TROUBLESHOOTING

Symptom	Possible Cause	Corrective Action
1. Pilot will not light.	A. Insufficient gas pressure, air in the pilot line, or dirty or kinked gas line.	A. Using the piezo sparker, try to light the pilot. If it will not light, check the inlet gas pressure.
	B. Pilot orifice plugged.	B. Clean or replace the pilot assembly.
	C. Defective or misaligned electrode at pilot.	C. If a match lights a pilot, check the electrode gap and location. Should be a 1/8" gap in the flame area.
	D. Defective igniter.	D. Check for a good connection between igniter and electrode. Check wire insulation. If properly connected and no spark, replace igniter.
	E. After sitting for "off" season (summer), pilot assembly may be dirty.	E. Clean or replace the pilot assembly.
2. Pilot will not stay lit after carefully following lighting instructions.	A. Low or too high gas pressure	A. Check for proper inlet pressure for the gas being used.
	B. Faulty connections.	B. Measure voltage between valve body and solder connection on the rear of the valve (where the blue wire connects). It should be no less than 7 mV.
	C. Defective thermocouple.	C1. Ensure that the thermocouple connection at the gas valve is tight. C2. Check thermocouple output using milli-volt meter. Disconnect from valve and read voltage across wire ends. If the reading is less than 15 mV, replace the pilot assembly. C3. If burning NG, check pilot flame to see that it is impinging on the top of the thermocouple. Clean or replace pilot for maximum flame impingement.
	D. Pilot dirty or plugged.	D. Clean or replace the pilot assembly.

Symptom	Possible Cause	Corrective Action
3. Pilot burning, no gas to main burner, valve knob in the "ON" position, thermostat and/or on/off/t'stat switch in the "ON" position.	A. Thermostat switch or wires defective.	A. Check thermostat/wiring for proper connections. Place jumper wire across terminals at thermostat. If burner comes on, replace defective thermostat. If not OK, place jumper across thermostat wires at gas valve. If burner comes on, tighten connections, or replace faulty wires.
	B. Thermopile may not be generating sufficient voltage.	B. Check thermopile output, using a milli-volt meter. If the optional on/off kit has not been installed, take the readings across generator terminals of the gas valve, TPTH and TP). With the on/off kit, take the readings across TH and Terminal block (which corresponds to #3 on the switch). Milli-volt reading should be greater than 325 mV. If not, replace the pilot assembly. If the meter reading is OK, but the burner does not come on, replace the gas valve.
	C. Plugged burner orifice.	C. Remove and check burner orifice, clean or replace. Note: do not use any metal cleaning device, as this may damage the orifice.
4. Pilot and burner come on, but go out after some warm-up.	A. Inconsistent, of insufficient flame on thermopile.	A. Adjust pilot flame size and assure that the flame is aimed directly at the thermopile.
	B. Insufficient gas pressure.	B. Check line pressure to ensure that the correct inlet pressure is present for the type of gas being used. If propane pressure is inconsistent, check for water condensation at the regulator.
5. Frequent pilot outage problem.	A. Pilot flame may be too low or blowing, (high), causing the pilot safety to drop out.	A. Clean and/or adjust the pilot flame for maximum impingement on the thermopile and thermocouple.
6. Glass fogs	A. A normal result of gas combustion.	A. After the heater has warmed up, the glass should clear.
7. Blue Flames	A. A normal result during the first 20 minutes.	A. Flames should begin to turn more yellowish after 20 minutes of burning.
		B. If the blue color stays; adjust the air shutter for a proper burn.

Symptom	Possible Cause	Corrective Action
8. Floating flames, lazy ill-defined, quiet flames, which roll around, sometimes completely off of the port, sometimes with overly, yellow tips. Possible sooting. Usually accompanied by the odor of aldehydes.	A. Potentially dangerous incomplete combustion due to incorrect air to fuel ratio (lack of combustion air or excessive fuel delivery i.e. excessive gas pressure, overrating of appliance). B. Incorrect air intake/exhaust flow system. Causes may be: B1. Blocked burner. B2. Blocked primary air B3. Blocked secondary air inlets	A. Check the appliance input rate and reduce if necessary. The air intake/exhaust flow system may be too restrictive or blocked (the rate at which the exhaust leaves [draft] determines the rate at which the combustion air is delivered). Poor draft results in insufficient air delivery or a restricted exhaust. Correct air intake/exhaust flow system. B1. Clear ports. B2. Clear obstructions. B3. Clear obstructions. C. If gas pressures are correct and the flames stay the same, adjust the air shutter for a proper burn.
9. Burner flashback. Air-gas mixture ignites inside the burner near the orifice, usually creating a roaring noise like a blowtorch. The problem is an imbalance of gas flow velocity and burning speed pattern.	A. Excessive. B. Burner input underrated. C. Valve leak if flashback occurs with burner valve in off position. D. Improper gas pipe size.	A. Adjust the air shutter for a proper burn. B. Check input rate. Check input pressure using a manometer. Confirm correct gas pressure at house meter or tank (call gas company). Confirm burner orifice size. C. Replace valve. If above corrections do not eliminate flashback, replace burner. D. Correct plumbing.
10. Delayed ignition (makes a sudden "whoosh" noise as the burner lights). This is a buildup of gas prior to ignition. This is more prevalent with propane (LP) fuel.	A. Incorrect air-to-fuel ratio. A1. Primary air incorrect. A2. Burner ports plugged. B. Improper log placement.	A1. Adjust the air shutter for a proper burn. A2. Open ports to allow for proper travel of flames. B. Reposition logs to eliminate interference with flame travel.

RATING LABEL

MODEL / MODELE #: 8325
 MODEL NAME: STOWE
 SERIAL #:
 NUMERO DE SERIE:
 LISTED: DIRECT VENT GAS ROOM HEATER
 CERTIFIED TO: ANSI Z21.88-2017/CSA 2.33-2017, CSA 2.17-17

CERTIFIED FOR CANADA
 CERTIFIED FOR MOBILE HOME INSTALLATION



FUEL TYPE:	NG <input type="checkbox"/>	LP <input type="checkbox"/>
INPUT RATING (Btu/hr) 0-2000 ft	22,400	22,400
INPUT RATING (Btu/hr) 2000-4500 ft	22,400	22,400
ORIFICE SIZE (DMS) 0-2000 ft	43	54
ORIFICE SIZE (DMS) 2000-4500 ft	42	54
MANIFOLD PRESSURE - LO SETTING (in.w.c./kPa)	1.2/0.30	4.2/1.05
MANIFOLD PRESSURE - HI SETTING (in.w.c./kPa)	3.6/0.90	10.1/2.52
INLET PRESSURE - MINIMUM (in.w.c./kPa)	5.0/1.24	11.0/2.74
INLET PRESSURE - MAXIMUM (in.w.c./kPa)	11.0/2.74	13.8/3.45
MINIMUM INPUT RATING (Btu/hr)	15,000	15,000
ELECTRICAL RATING: 120 VOLTS 60Hz, 15 A		

CAUTION:
 DO NOT OPERATE WITH GLASS REMOVED, CRACKED OR BROKEN.

FOR USE WITH GLASS DOORS CERTIFIED WITH THE APPLIANCE ONLY.

Replacement on the panel should be done by a licensed or qualified service person.

This appliance must be installed in accordance with the local codes, if any; if not, follow the National Fuel Gas Code, ANSI Z223.1 or Canadian Installation Codes, CAN/CGA B149.

WARNING: Improper installation, adjustment, alteration, service or maintenance can cause injury or property damage. Refer to the owner's information manual provided with this appliance. For assistance or additional information consult a qualified installer, service agency or the gas supplier.

For mobile home installation:

This appliance must be installed in accordance with the *Standard for Mobile Housing, CAN/CSA Z240 MH*, in Canada; or with the *Manufactured Home Construction and Safety Standard, Title 24 CFR, Part 3280*, in the United States or when such standard is not applicable, *Manufactured Home Installation Standard, ANSI/NCSCS A225.1/NFPA 501A*.

During transportation of the mobile home:

Sections of the venting system have not been installed. **WARNING - Do not operate the appliance until all sections have been assembled and installed in accordance with the manufacturer's instructions.**

MINIMUM CLEARANCES TO COMBUSTIBLES

UNIT TO REAR WALL: 3" (77mm)
 UNIT TO SIDE WALLS: 4" (102 mm) with walls ≤ 18" deep
 UNIT TO SIDE WALLS: 6" (153 mm) with walls > 18" deep
 CORNER TO ADJACENT WALL: 4" (102 mm)
 MAXIMUM MANTEL DEPTH: 17" (432mm)
 HORIZONTAL VENT TO MANTLE: 2" (51mm)
 SNORKEL TERMINATION, TOP OF UNIT TO MANTLE: 15" (381mm) Minimum

OPTIONAL ACCESSORIES

93-57230 BLOWER KIT: STO 3, STO 4, STO 5
 93-56250 FUEL CONVERSION KIT (NG): STO 5 (8325)
 93-56251 FUEL CONVERSION KIT (LP): STO 5 (8325)
 93-56242 HIGH ALTITUDE KIT (NG): STO 4 (8324)

This appliance is only for use with the type of gas indicated on this rating plate and may be installed in an aftermarket, permanently located, manufactured (mobile) home where not prohibited by local codes. See owner's manual for details. This appliance is not convertible for use with other gases, unless a certified kit is used. If the vent air intake system is disassembled for any reason, reinstall per the instructions provided with the initial instructions. This vented gas fireplace heater is not for use with air filters. This appliance must be properly connected to a venting system in accordance with the manufacturer's installation instructions.

VENTED GAS FIREPLACE HEATER - NOT FOR USE WITH SOLID FUEL

MANUFACTURED BY: HearthStone QHHP, Inc., MORRISVILLE, VERMONT 05661



2021 2022 2023 2024 JAN FEB MAR APR MAY JUN JUL AUG SEP OCT NOV DEC



DO NOT REMOVE OR COVER THIS LABEL

Made in USA

3300-761

Limited Warranty

These warranties give you specific legal rights. You may also have other rights which vary from State to State.

Hearthstone Quality Home Heating Products, Inc. (Hearthstone) warrants to the original retail purchaser only (the "Original Purchaser") the new appliance manufactured by Hearthstone, purchased by the Original Purchaser and installed by an authorized Hearthstone dealer or their designated representative against any of the occurrences listed in this document that result from defects in material or workmanship. This warranty is not transferrable. All obligations of Hearthstone under this document commence on the date of the Original Invoice (the "Purchase Date"). The term "Limited Lifetime" is defined as 10 years from the beginning of warranty coverage.

Hearthstone appliances are designed to be operated only with the fuels listed in your owner's manual.

Warranty Period	Wood	Gas	Pellet	Covered Components
Limited Lifetime	X	X	X	Stone
	X	X	X	Cast iron not listed elsewhere
	X			Clean burning air supply system*
5 Year	X	X	X	Door handles and latches
	X	X	X	Steel Components and Firebox
		X		Burner and logs
3 Year			X	Burn Pot and Baffles
2 Year	X	X	X	Appliance Electrical and Gas Components
	X	X		Refractory, Vermiculite Panels, Baffles
1 Year	X	X	X	Enamel finish against peeling or fading
	X	X	X	Accessories
	X	X	X	Glass **
	X			Ash Grate
	X	X	X	All components not listed elsewhere

** After 5 years of use the "Neoceram" glass must be inspected for microcracking or etching caused by the deposition of products of combustion including sulfur, particularly when burning Propane gas. Microcracking/etching reduces the strength of the glass and if found during inspection the "Neoceram" glass must be replaced. Neoceram is a proprietary glass-like material that must be ordered from an authorized HearthStone dealer.

Any parts repaired or replaced during the limited warranty period will be warranted under the terms of the limited warranty for a period not to exceed the remaining term of the original limited warranty or one year, whichever is longer.

Parts: Hearthstone will replace through an authorized dealer, defective parts covered by the foregoing warranty at no charge.

Labor: Within the first (1st) year after the Purchase Date, Hearthstone will pay for warranty labor performed by an authorized Dealer at Hearthstone's published labor rates in effect at the time the labor is performed only if the appliance is installed by an authorized dealer or their designated representative. Otherwise or thereafter, the Original Purchaser is responsible for the cost of labor.

Shipping cost for parts: Within the first ninety (90) days after the Purchase Date, Hearthstone will pay for the shipping of appliance parts covered by any of the foregoing warranties to and from Hearthstone or an authorized

Dealer, as the case may be. Thereafter, the Original Purchaser is responsible for all shipping costs related to shipping appliance parts to and from Hearthstone or an authorized Dealer, as the case may be.

Shipping cost for the appliance: Within the first (1st) year after the Purchase Date, if the Original Purchaser is instructed to return the appliance to Hearthstone or an authorized Dealer for repair, Hearthstone will pay fifty percent (50%) and the Original Purchaser will pay fifty percent (50%) of the shipping costs related to shipping the appliance to and from Hearthstone or an authorized Dealer, as the case may be. Thereafter, the Original Purchaser is responsible for one hundred percent (100%) of all of the shipping costs related to shipping the appliance to and from Hearthstone or an authorized Dealer, as the case may be. Notwithstanding any other provision of this document, in no event will Hearthstone pay for any Dealer fees or other fees for pick up or delivery of the appliance returned for repair; the Original Purchaser shall be responsible for any such fees.

EXCLUSIONS & CONDITIONS

The warranties contained in this document do not cover, nor is Hearthstone responsible for:

1. Damages resulting from:
 - a. Failure to install, operate, or maintain the appliance in accordance with the owner's manual, operating instructions, installation instructions, or safety rating label provided with the appliance.
 - b. Over-firing the appliance. Over-firing can be identified by, but not limited to, warped cast iron or steel, rust colored cast iron, bubbling, cracking and discoloration of steel or enamel finishes.
 - c. Failure to install the appliance in accordance with all national or local building codes.
 - d. Shipping or improper handling.
 - e. Improper operation, abuse, misuse, continued operation with damaged, corroded, or failed components, accident, or improper/incorrect service or repairs.
 - f. Environmental conditions, inadequate ventilation, negative pressure, or improper drafting caused by tightly sealed constructions, insufficient make-up air supply, or air handling devices such as exhaust fans, forced air furnaces, or other such causes.
 - g. Damage caused by direct exposure to water.
 - h. Use of fuels other than those specified in the owner's manual.
 - i. Installation or use of components not supplied with the appliance, or any other components not expressly authorized and approved by Hearthstone.
 - j. Modifications of the appliance not expressly authorized and approved by Hearthstone in writing.
 - k. Interruptions or fluctuations of electrical power supplied to the appliance.
2. All stones are warranted against cracking or breakage due to thermal stress, excluding surface and hairline cracks and scratches that do not affect the operation, or safety of the appliance.
3. Repair or replacement of wear parts. Such parts that are subject to normal wear and tear during the warranty period such as paint, gaskets, baffles, refractory materials, ash grates, and glass.
4. Damage resulting from installation, modification, alteration, repair or service of the appliance by any party other than an authorized Hearthstone dealer (a "Dealer") or their designated representative, or Hearthstone.
5. Damage due to water or condensation due to installation of the appliance in a high moisture area.
6. Damage due to installation of the appliance in an atmosphere contaminated by damaging chemicals, including but not limited to chlorine, fluorine or salts.
7. Scratches on glass, enameled surfaces or stones due to mechanical abrasion.
8. Noise caused by expansion or contraction caused by the heating and cooling of the appliance.
9. Odors caused by the heating of the appliance, or surrounding materials
10. Consequential damage caused by leaking of condensate during startup
11. A defect in any part of the appliance if the Original Purchaser fails to comply with Hearthstone's or a Dealer's request to ship the part or the appliance to Hearthstone or a Dealer, as the case may be.
12. Replacement stones and enameled parts are taken from current stock, and may not match originals in color, grain, or pattern. Hearthstone will supply replacement parts for discontinued parts in finishes or colors as available, or at their discretion.
13. Hearthstone's obligation under this warranty does not extend to the appliance's ability to heat the desired space. Information is provided to assist the customer and the dealer in selecting the appropriate appliance for the application. Consideration must be given to appliance location and configuration, environmental conditions, insulation and air tightness of the structure.

THE WARRANTIES CONTAINED IN THIS DOCUMENT ARE EXCLUSIVE AND ARE GIVEN BY HEARTHSTONE AND ACCEPTED BY THE ORIGINAL PURCHASER IN LIEU OF ALL OTHER EXPRESS

WARRANTIES AND ANY OBLIGATIONS, LIABILITIES, RIGHTS, CLAIMS, OR REMEDIES IN CONTRACT OR TORT, WHETHER OR NOT ARISING FROM HEARTHSTONE'S NEGLIGENCE, ACTUAL OR IMPUTED. ALL IMPLIED WARRANTIES, INCLUDING THE WARRANTIES OF MERCHANTABILITY AND FITNESS FOR A PARTICULAR PURPOSE, ARE GIVEN ONLY TO THE EXTENT REQUIRED BY FEDERAL OR STATE LAW. EXCEPT AS OTHERWISE REQUIRED BY STATE LAW, UPON THE EXPIRATION OF THE EXPRESS LIMITED WARRANTIES CONTAINED HEREIN, NO IMPLIED WARRANTIES, INCLUDING THE IMPLIED WARRANTIES OF MERCHANTABILITY OR FITNESS FOR A PARTICULAR PURPOSE, SHALL APPLY TO THE SUBJECT APPLIANCE. SOME STATES DO NOT ALLOW LIMITATIONS ON HOW LONG AN IMPLIED WARRANTY LASTS, SO THE ABOVE LIMITATION MAY NOT APPLY TO YOU.

THE WARRANTIES CONTAINED IN THIS DOCUMENT EXTEND ONLY TO THE ORIGINAL PURCHASER OF THE APPLIANCE WARRANTED HEREUNDER. THEY ARE NOT TRANSFERRABLE AND DO NOT EXTEND TO ANY SUBSEQUENT OWNERS.

UNDER NO CIRCUMSTANCES SHALL HEARTHSTONE BE LIABLE TO THE ORIGINAL PURCHASER OR ANY OTHER PERSON FOR ANY INCIDENTAL OR CONSEQUENTIAL DAMAGES, INCLUDING BUT NOT LIMITED TO DAMAGE TO PROPERTY OR PERSONAL INJURIES, WHETHER ARISING OUT OF LOSS OF USE, BREACH OF WARRANTY, TORT, OR OTHERWISE, EVEN IF HEARTHSTONE HAS BEEN APPRAISED OF THE POSSIBILITY OF SUCH DAMAGES. SOME STATES DO NOT ALLOW THE EXCLUSION OR LIMITATION OF INCIDENTAL OR CONSEQUENTIAL DAMAGES, SO THE ABOVE LIMITATION OR EXCLUSION MAY NOT APPLY TO YOU.

QUALIFYING FOR WARRANTY COVERAGE

To obtain performance of any obligation under this document, the Original Purchaser must, within the applicable warranty time period, contact their original Hearthstone dealer, or the current responsible local Hearthstone dealer, for instructions regarding the return of defective parts for repair, the return of the appliance for repair, or to schedule a Dealer service call. The Original Purchaser should refer to the Dealer Network search engine contained on Hearthstone's Web site (www.hearthstonestoves.com) if the original dealer is not available, to find a Hearthstone dealer nearest to the Original Purchaser's location.

REMEDY

The remedy for any breach of the foregoing warranties will consist of repair or replacement, at Hearthstone's option, of any covered defect in the appliance. When the Original Purchaser contacts a Hearthstone Dealer, the Dealer on behalf of Hearthstone, as the case may be, will instruct the Original Purchaser to either return the defective part, or the entire appliance (if requested), to the Dealer or Hearthstone or allow a Dealer to make a service call at the place where the appliance is located. Hearthstone may require that a digital picture be provided to support the claim. Notwithstanding any other provision of this document, the Original Purchaser shall pay for any fees and service charges related to a Dealer's service call or the shipping charges associated with the return.

WARRANTY REGISTRATION

The Original Purchaser can complete their warranty registration on our website at www.hearthstonestoves.com.
Hearthstone's physical address is:

Hearthstone Quality Home Heating Products, Inc.
Warranty Department
317 Stafford Avenue
Morrisville, VT 05661

NOTE: ON-LINE REGISTRATION IS *NOT REQUIRED* AS A CONDITION OF WARRANTY COVERAGE OR HEARTHSTONE'S PERFORMANCE.

CozyCabin.com 518-623-4349