

Installation Instructions Supplement

Covering - Installation of Cathedral Ceiling Support Box (CCS)

Read main instructions in their entirety before beginning the installation. Failure to install this system in accordance with the instructions will void manufacturer's warranty and may result in an unsafe installation. Keep these instructions for future references.

The Cathedral Ceiling Support (CCS) may be used in pitched or flat ceiling installations and comes with a Support Collar and a decorative two part square Trim Plate. Install by inserting the Support Box down through the framed joist opening (end with round hole first) in the ceiling. Using tin snips, cut the corners of the open end of the box such that the sides can be folded down over the top of the joist framing members. Nail the folded sides to the top of the framing. Slide the Support Collar over pipe and place pipe through hole to determine proper elevation of pipe. Once proper elevation is determined remove pipe from support box and secure collar to pipe with nut & bolt, (drawing tabs together), securely clamping collar to pipe at location previously determined to provide proper pipe elevation. Insert 1/4" screws (provided) through pre-punched holes in collar and into outer wall of pipe to prevent any slip. Re-insert pipe through support box opening until support collar (now attached to the pipe) rests on bottom of support box. Add lengths of pipe as appropriate.

A two-part square Trim Plate is provided to give a finished look once installed. Simply fit the two halves of the Trim Plate around the Cathedral Ceiling Support Box hanging below the ceiling (overlapping if necessary) and screw them to the ceiling. The Cathedral Ceiling Support can support a maximum of 40 feet of pipe.

Framing details are as follows:

- Flat ceiling = 10 5/8" x 10 5/8" square.
- Pitched ceiling = 10 5/8" x some dimension so as to create a rectangular framed opening suitable to accept the CCS.

WARNING
Failure to follow the installation instructions could cause FIRE, CARBON MONOXIDE POISONING, OR DEATH. If you are unsure of installation requirements, call the telephone number listed on these instructions, or visit our website www.selkirkcorp.com.

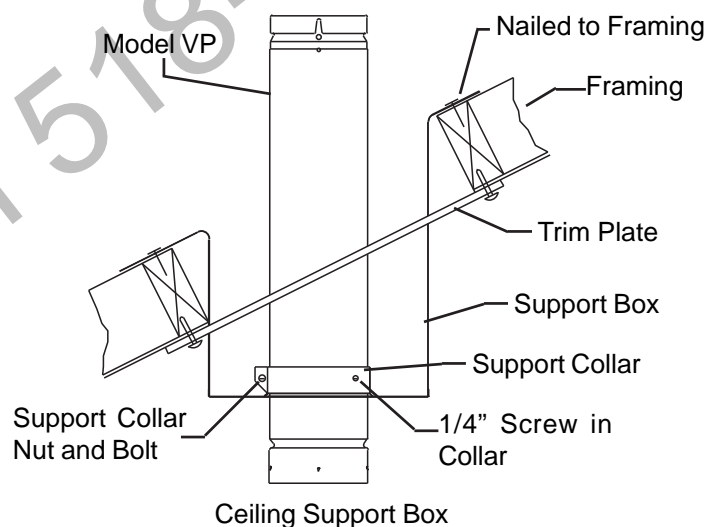


FIG. 1