

READ THE FOLLOWING INSTRUCTIONS IN THEIR ENTIRETY BEFORE ASSEMBLING AND INSTALLING. REFER TO THE MAIN CHIMNEY SYSTEM INSTALLATION INSTRUCTIONS FOR FURTHER INFORMATION ON INSTALLATION OF SELKIRK CHIMNEY. OUR CHIMNEY SYSTEMS ARE DESIGNED FOR INSTALLATION BY A QUALIFIED PERSON IN ACCORDANCE WITH LOCAL BUILDING CODES.

CAUTION: WEAR CUT RESISTANT GLOVES WHILE HANDLING METAL PARTS TO AVOID PERSONAL INJURY. SHARP EDGES OR PROJECTIONS CAN CUT YOU.



Tested to: UL 103 HT, ULC-S604 and ULC-S629

A Tee Cap Retainer Kit is required when an Insulated Tee is supported by an Extended Wall Support (see Fig 1) or with a Wall Support / Re-Support and nothing else to hold the Tee Cap in place.

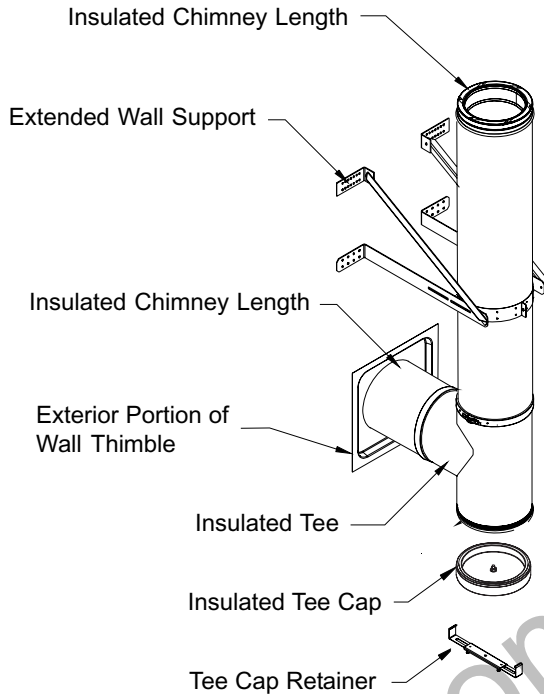


Figure 1

Fits:

The Tee Cap Retainer is adjustable for various sizes and models of chimney (see below). Securing Brackets are used to grip the bead or curl of the Insulated Tee and to secure the Tee Cap in place.
 - 6" to 8" UltimateONE (U1) Insulated Tees and straight lengths;
 - 5" to 8" SCS (UT/ST), SuperPro (SPR) Insulated Tees and straight lengths.

Contents (Figure 2):

- 1 - Guide bracket with pem-studs and hole;
- 4 - Wing nuts;
- 4 - Washers;
- 2 - Diameter Adjustment Brackets with pem-studs;
- 2 - Securing Side Brackets.

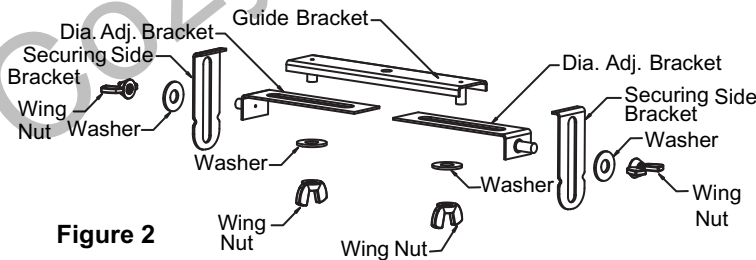


Figure 2

How to Install - UltimateONE (U1) Chimney:

1. Loosen all wing nuts.
2. Remove nut on the inside of the Tee Cap and remove the eye bolt. Insert the eye bolt through the Guide Bracket and Tee Cap and reinstall/tighten the nut on the inside of the Tee Cap.
3. Install the Tee Cap onto the bottom of the Tee (or Length).
4. Position the Diameter Adjustment Brackets and Securing Side Brackets so that the Securing Brackets fit into the inward bead on the bottom end on the Tee or a straight length (see Figure 3).
5. Hold the Tee Cap and Retainer in place and tighten all Wing Nuts (4).

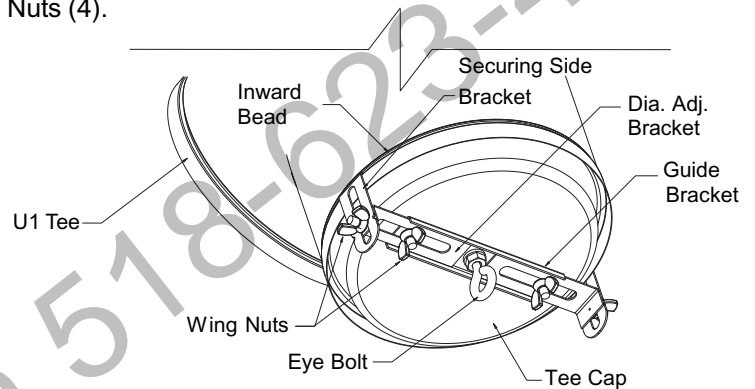


Figure 3 - Bottom View of U1 Tee

How to Install - UltraTemp (UT) & SuperPro (SPR) Chimney:

1. Loosen all wing nuts.
2. Install the Tee Cap onto the bottom of the Tee (or Length).
3. Position the Diameter Adjustment Brackets and Securing Side Brackets so that the Securing Brackets fit onto the tight curl on the bottom edge of the Tee or a straight length (see Figure 4).
4. Hold the Tee Cap and Retainer in place and tighten all Wing Nuts (4). Bend toward center Securing Brackets.

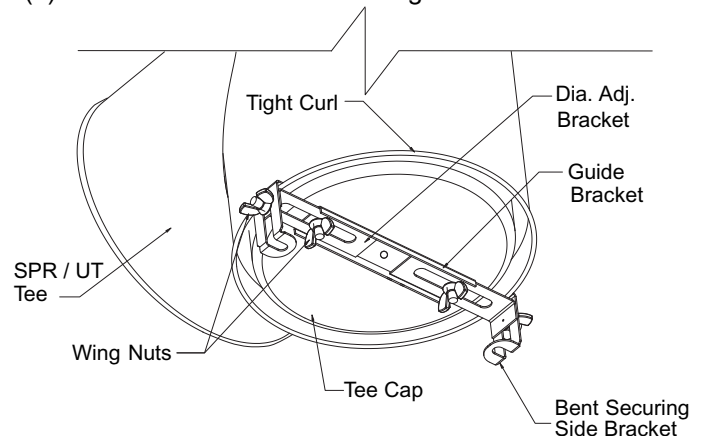


Figure 4 - Bottom View of SPR/UT Tee