

#### Selkirk Models: UltimateONE (U1), Ultra-Temp (UT) and SuperPro (SPR).

READ INSTRUCTIONS CAREFULLY BEFORE STARTING THE PROJECT. REMEMBER THAT SAFETY COMES FIRST. OUR CHIMNEY SYSTEMS ARE DESIGNED FOR INSTALLATION BY A QUALIFIED PERSON IN ACCORDANCE WITH LOCAL BUILDING CODES.

**CAUTION:** TO AVOID PERSONAL INJURY WEAR CUT RESISTANT GLOVES WHILE HANDLING METAL PARTS WITH SHARP EDGES OR PROJECTIONS AS THEY CAN CUT YOU.

In regions of the country where significant amounts of snow or ice accumulate, it is recommended that a "Snow Splitter" be installed. This is especially important on metal or steep sloped roofs. A Snow Splitter helps protect the chimney and the roof flashing from damages caused by sliding snow or ice by diverting it around the roof flashing and the chimney.

The snow splitter must be solidly fastened to the roof in order to resist the force of a heavy snow load. Simply screwing it to typical roof sheathing is not normally sufficient. We recommend that you install 3/4" plywood or 2 X 6 backing large enough to accept all six screws.

#### To Install:

1. Slide the 3 hook tabs into the 3 slots found in the opposite section and lock in place. Bend the tabs over slightly to lock in place.

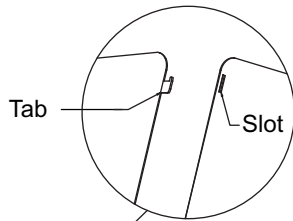


Figure 1

3. Position the snow splitter on the roof with the locking tabs/slots aligned with the center line of the chimney pipe. Maintain a 2" to 3" gap between the chimney and the snow splitter. Extend the snow splitter at least 3" beyond sides of flashing and at least 6" higher than the flashing cone if possible.

4. Secure the snow splitter to the roof using #10 or heavier screws sufficiently long to insure that the fastener is adequately secure to the backing and sheathing material. (If no sheathing is present it may be necessary to include backing material under the roofing.) Before tightening the fasteners apply silicone or similar weather proofing sealant under each tab to seal the screw hole in the roof. Make sure all screws penetrate the backing as well as the roof sheathing.

2. The foot tabs (6) on the snow splitter are factory adjusted to provide ease of bending in the field to adjust for the actual roof pitch. The snow splitter is adjustable for all pitches up to a maximum of 12/12.

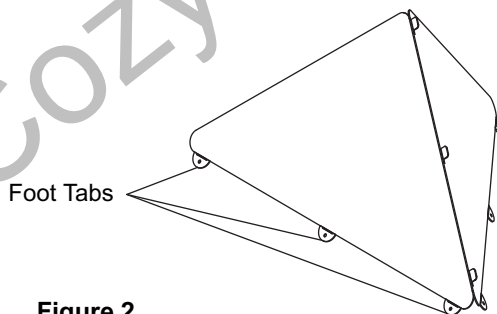


Figure 2

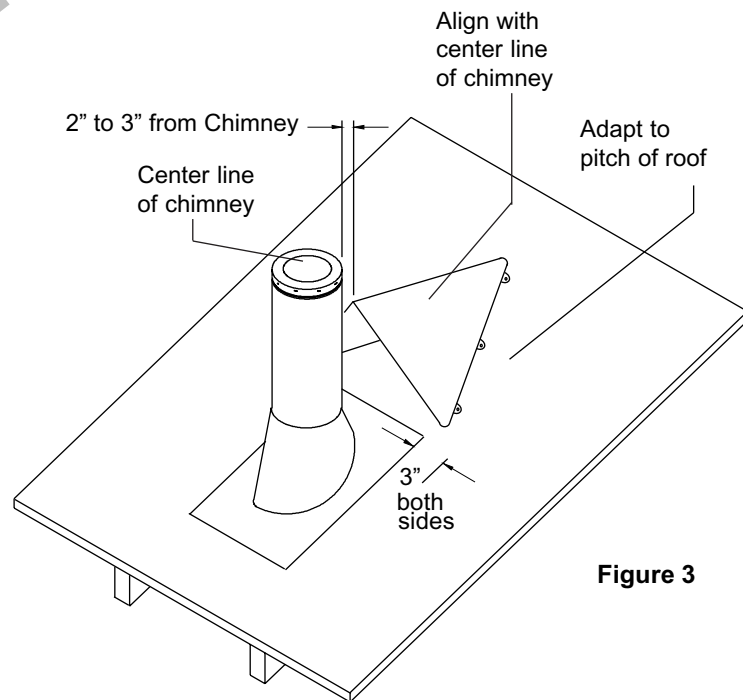


Figure 3