

UNIVERSAL SHIELDING INSULATION (SUSI)

INSTALLATION INSTRUCTIONS

For 3" to 16" Diameters

The SUSI is installed to reduce cold air infiltration into the dwelling.

The SUSI can only be installed with

Chimney or Venting Systems listed on page 2 of these instructions in conjunction with the installation of a Wall Thimble, Attic Insulation Shield or a Cathedral Ceiling Support.



LISTED

Tested To:

CAN/ULC-S604
CAN/ULC-S605
CAN/ULC-S609
CAN/ULC-S610
CAN/ULC-S629
CAN/ULC-S636

Tested To:

ULC/ORD-C441
UL103 Type HT
UL127
UL1738
UL441
UL641



LISTED

A MAJOR CAUSE OF CHIMNEY-RELATED FIRES IS FAILURE TO MAINTAIN REQUIRED CLEARANCES (AIR SPACES) TO COMBUSTIBLE MATERIALS.

REFER TO CHIMNEY OR VENTING INSTALLATION INSTRUCTIONS PACKAGED WITH SUPPORT FOR DETAILED INSTRUCTIONS ON CHIMNEY OR VENTING INSTALLATION.

PLEASE READ ALL INSTRUCTIONS BEFORE BEGINNING YOUR INSTALLATION. FAILURE TO INSTALL THIS COMPONENT IN ACCORDANCE WITH ALL INSTRUCTIONS WILL VOID THE CONDITIONS OF CERTIFICATION AND THE MANUFACTURERS WARRANTY.

Installer: It is of the utmost importance that these JUSI instructions are left with the homeowner.

Homeowner: Keep these instructions in a safe place for future reference.

SUSI

The SUSI Insulation is used to reduce cold air infiltration into the dwelling and to provide additional protection against radiant heat from the chimney or venting system.

The SUSI can be installed with the following chimney/venting systems: BV/RV, CF, EZ Seal, JM/ALT, DFS, DT/DT-M, JSC/SPR, SC, PL/VP/PVP/PSV, UT/GT/ST, TLC, U1 and UPP.

When used with one of the above approved Chimney/Vent Models, the SUSI may be installed within an Attic Insulation Shield, a Wall Thimble or a standard Cathedral Ceiling Support (not including a reduced clearance support). Refer to the corresponding section within this document for proper installation of the SUSI.

NOTE: Depending on the Model of Chimney or Venting System, each will have their specific type of Attic Insulation Shield, Wall Thimble and Cathedral Support. Refer to the supplied installation instructions for each of the above components as the installation of these components will vary by models. Illustrations shown in these instructions do not represent all the various types of these components.

INSTALLATION PROCEDURES: Attic Insulation Shield

The SUSI is placed between the length of pipe and the inside of the Attic Insulation Shield (AIS), snugly fitted to its beveled upper portion.

Depending on the Model of Chimney or Venting system, the design of the Attic Insulation Shield will dictate if the SUSI is to be split in half. This is due to the amount of air space between the vent pipe and the shield See Figures 1, 2, 3 and 7.

STEP #1. Determine the cut length. Refer to the section on Measuring and Cutting of the SUSI.

STEP #2. Install the SUSI inside the upper shield cavity of the Attic Insulation Shield. Position the SUSI so that it is against the outer wall of the shield.

STEP #3. Carefully lower the AIS over the length of pipe making sure that the SUSI stays in place. Secure the Attic Insulation Shield as per the instructions supplied with the chimney or venting system.

NOTE: In some systems where the Attic Insulation Shield is installed from below at the ceiling joist level (see Figure 1), the SUSI is inserted between the chimney outer wall and the shield once the chimney is in place.

NOTE: In some systems the AIS may incorporate a removable top collar. In such case, the SUSI is installed by wrapping it around the pipe above the AIS and sliding it down in place, and replacing the top collar.

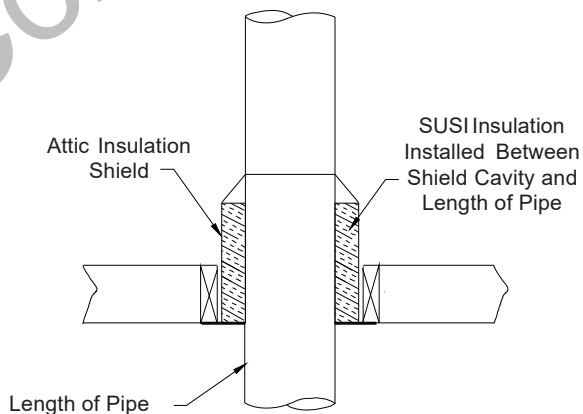


Figure 1 - Attic Insulation Shield Installed From Below At the Ceiling Joist Level

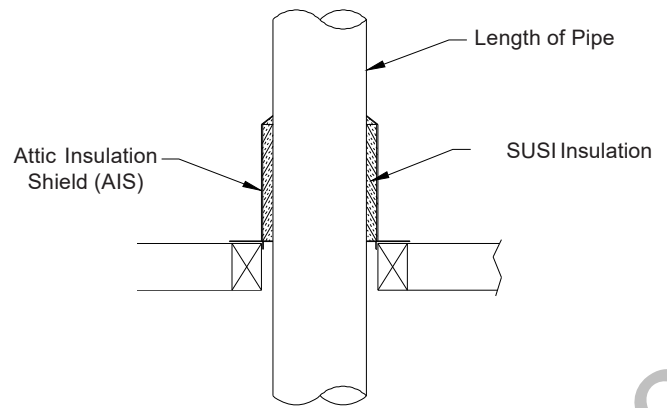


Figure 2 - Attic Insulation Shield Above Ceiling Joist Installation

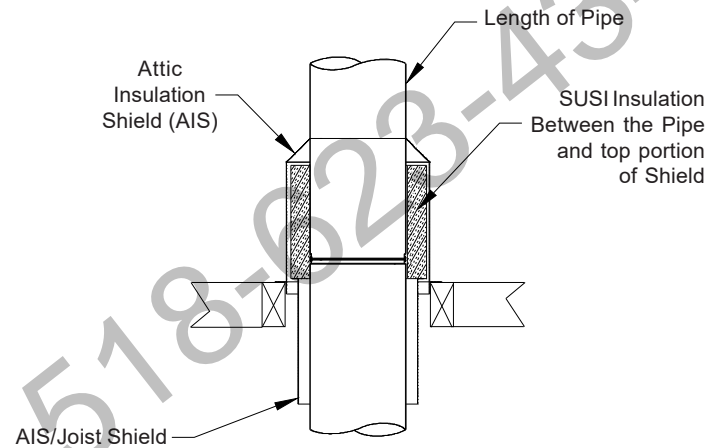


Figure 3 - Attic Insulation Shield/Joist Shield Installation

Wall Thimble

The insertion of the SUSI is best accomplished once the outer portion of the Wall Thimble, Wall Support, Insulated Tee and the appropriate chimney length attached to the Tee branch has been installed as per the supplied Installation Instructions packaged with the Wall Support.

STEP #1: Determine the cut length. Refer to the section on Measuring and Cutting of the SUSI. It may be necessary to split the SUSI in half.

STEP #2: Install the SUSI around the length of pipe and slide it into the inner portion of the thimble sleeve (see Figures 4 & 5).

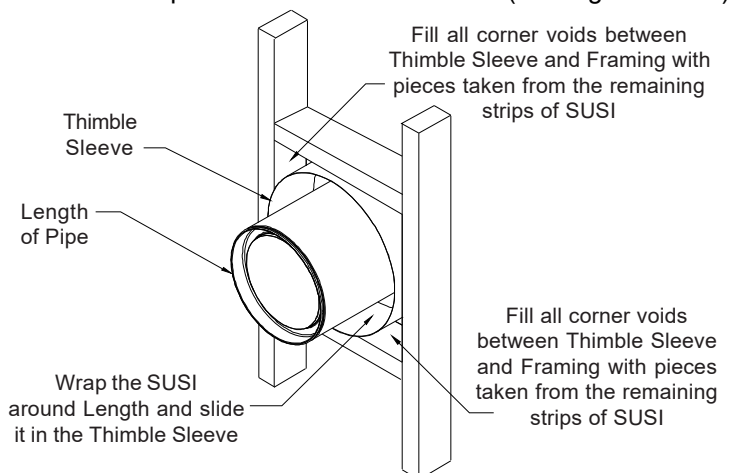


Figure 4 - Placement of SUSI Insulation - Wall Thimble

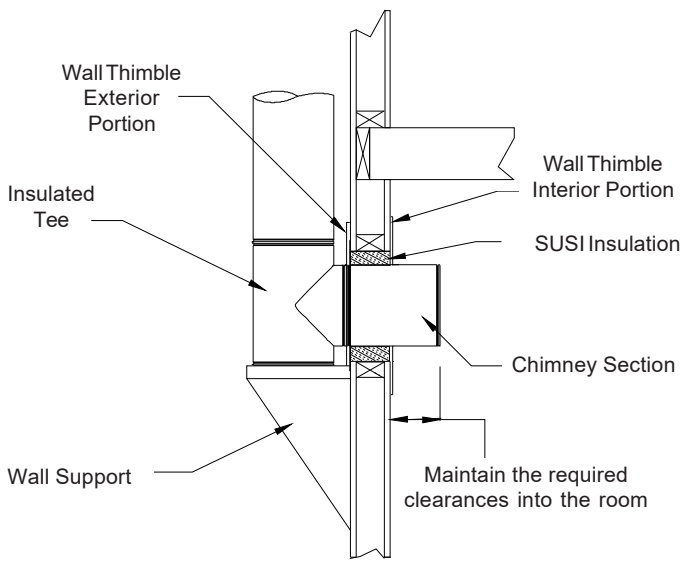


Figure 5 - Wall Thimble Showing Insulation in place

STEP #3: Fill the corner voids between the round shield and the frame opening with pieces taken from the remaining strip of insulation.

It is permissible to wrap the SUSI around the outside of the inner half of the Wall Thimble.

Cathedral Ceiling Support

The SUSI is wrapped around the length of pipe inside of the Cathedral Ceiling Support. The blanket can be placed directly to the underside of the roof as shown in figure 6.

The corner voids of the Cathedral Ceiling Support may be filled with pieces taken from the remaining strip of insulation. NOTE: not to be used in a reduced clearance support.

NOTE: Some CCS include an internal radiation shield. In such cases it is necessary to split the SUSI in half and fill both cavities with the SUSI.

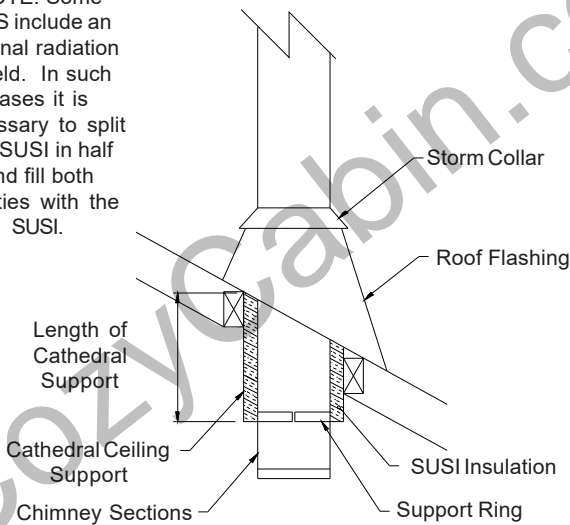


Figure 6 - Cathedral Ceiling Support with SUSI

Measuring and Cutting of the SUSI

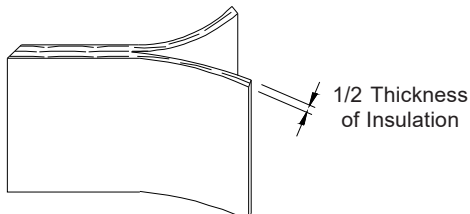


Figure 7 - Splitting of the SUSI Insulation

Sheet Dimension is 48in (1220mm) x 12in (305mm) x 2in (50mm)

Using the length of pipe as a template, simply wrap the insulation blanket around it and cut where the insulation meets (see Figures 8 & 9). If your pipe size is not in Table 1 use the next size up - example: for a 3.75" pipe size you would then go to 4" in the Table.

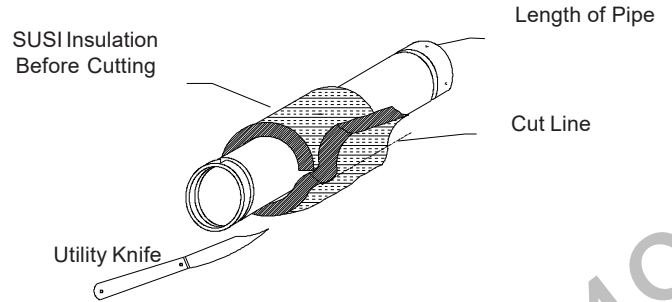


Figure 8 - Wrap the SUSI around the length of pipe, mark and cut where the insulation meet

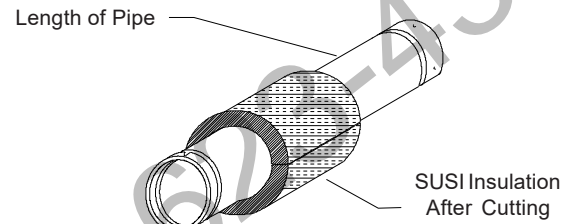


Figure 9 - SUSI after the cut

Pipe Size (Outside Diameter)	Required Cut Length	
	in.	mm
3	19	479
3.5	20	519
4	22	559
4.5	24	598
5	25	638
6	28	718
6.525	30	760
7	31	798
8	35	878
9	38	958
10	41	1037
10.5	42	1077
11	44	1117
12	47	1197
13	50	1277
14	53	1357
15	57	1436
16	60	1516

For complete coverage of the length, additional SUSI will be required for diameters larger than 12".