



## UNIVERSIAL VENTFREE FIREPLACE

UV36 (SMOOTH FACE)

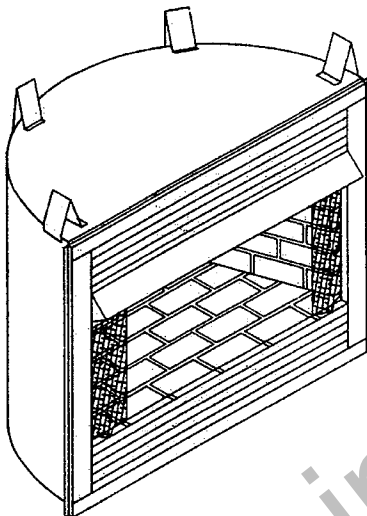
UVC36 (HEAT CIRCULATING)

### INSTALLATION & OPERATING INSTRUCTIONS

36" FIREPLACE  
TO BE USED WITH  
ANY APPROVED  
VENTFREE GAS  
LOGS

#### SAVE THIS BOOK

This book is valuable. In addition to instruction you on how to install and maintain your Fireplace to be used with the Ventfree Gas Log, it also contains information that will enable you to obtain replacement parts or optional accessory items when needed. Keep it with your other important papers.



**FOR USE ONLY WITH DECORATIVE  
TYPE VENTFREE ROOM HEATERS**

**DO NOT BUILD A WOOD FIRE**

Carefully review the instructions supplied with the decorative type unvented room heater for the minimum fireplace size requirement.

**DO NOT INSTALL THE APPLIANCE IN THIS  
FIREBOX, UNLESS THIS FIREBOX MEETS  
THE MINIMUM DIMENSIONS REQUIRED  
FOR THE INSTALLATION.**

**CHECK LOCAL CODES BEFORE  
INSTALLATION**

**THIS FIREPLACE HAS BEEN TESTED AND  
APPROVED BY I.A.S. UNDER THEIR  
REPORT REFERENCE I.A.S. REQ 2-97 FOR  
FIREPLACE MANUFACTURERS INC.'S  
VENTFREE OR ANSI Z21.11.2 APPROVED  
GAS LOGS.**

**WARNING: If the information in this manual is not followed exactly, a fire or explosion may result causing property damage, personal injury, or loss of life.**

#### ➤ FOR YOUR SAFETY

Do not store or use gasoline or other flammable vapors and liquids in the vicinity of this or any other appliance.

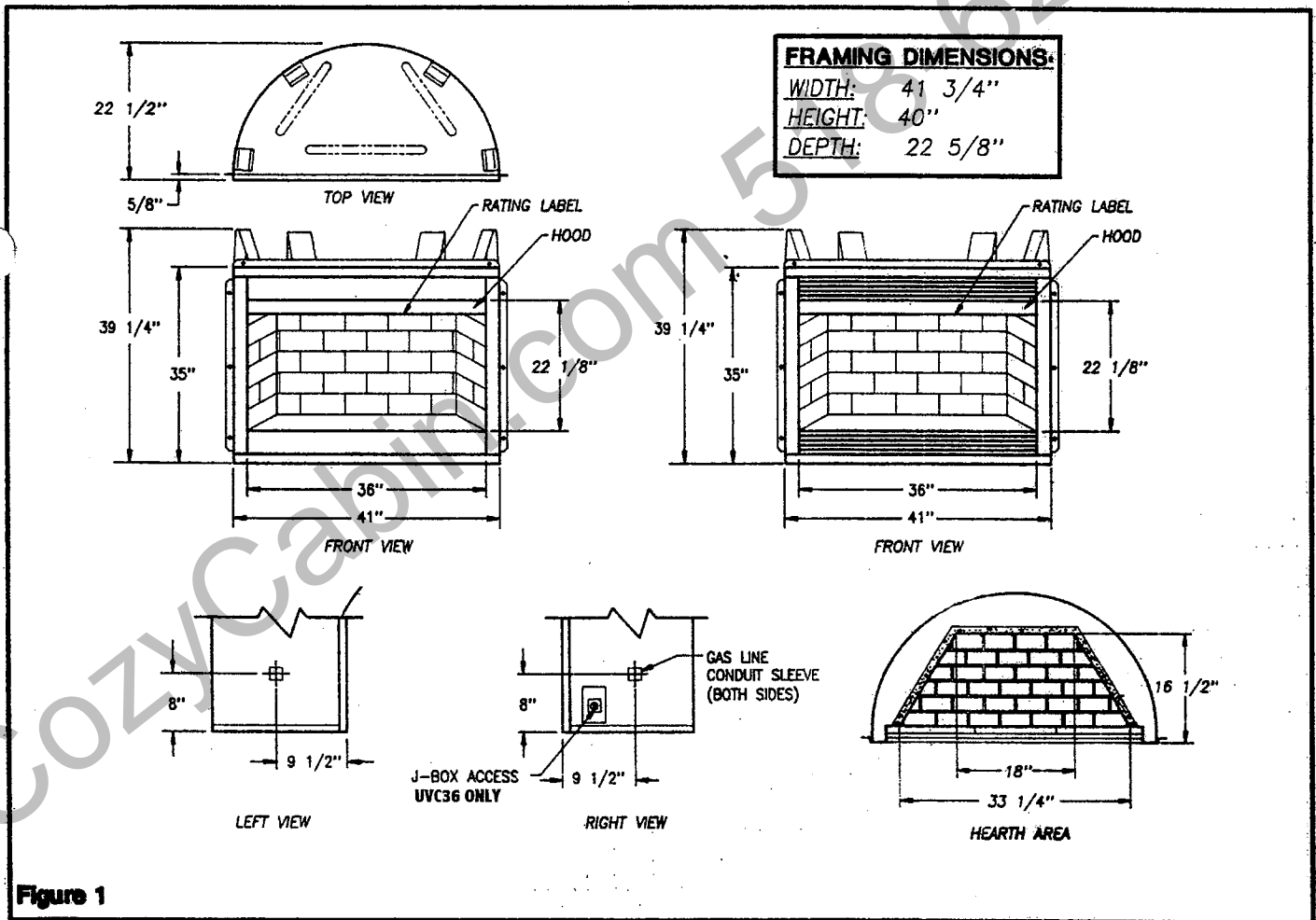
#### ➤ WHAT TO DO IF YOU SMELL GAS

- Do not try to light any appliance.
- Do not touch any electrical switch; do not use any phone in your building.
- Immediately call you gas supplier from a neighbor's phone. Follow the gas supplier's instructions.
- If you cannot reach your gas supplier, call the fire department.

➤ Installation and service must be performed by a qualified installer, service agency, or the gas supplier.

# CONTENTS

INTRODUCTION	PG.2	GAS LINE HOOK-UP	PG.5
SELECTING LOCATION	PG.2	GAS SUPPLY TESTING	PG.6
CLEARANCES	PG.3	OPERATING GUIDELINES & MAINTENANCE INSTRUCTIONS	PG.6
MANTLE CLEARANCES	PG.3	HEAT DEFLECTIVE HOOD	PG.7
FRAMING	PG.4	REPLACEMENT & ACCESSORY PARTS	PG.8
OPTIONAL FAN SYSTEM	PG.5		



**NOTE: ALL DIMENSIONS IN THIS INSTALLATION MANUAL ARE IN INCHES UNLESS OTHERWISE SPECIFIED**

## INTRODUCTION

Models UV36 and UVC36 are VENTFREE Fireplaces specifically designed and intended for use with either Fireplace Manufacturers Inc's Ventfree Gas Log Sets or any ANSI Z21.11.2 approved Ventfree Log Set sized in accordance with the Manufacturer's Installation requirements.

These unvented gas log sets utilize a safety pilot system for operation.

### VENTFREE FIREPLACE MODELS:

- UV36 is Smooth Face
- UVC36 is Heat Circulating

If you have any doubts as to which gas your particular unit is tested and approved for, please check the Rating Label attached to the individual Manufacturer's unit intended to be used in this firebox.

## BEFORE YOU BEGIN

Before beginning the installation of your Ventfree Fireplace, read these instructions through completely.

This FMI Fireplace and its' approved components are safe when installed according to this installation manual and are operated as recommended by FMI. Unless you use FMI approved accessories tested for this Ventfree Fireplace, **YOU MAY CAUSE A FIRE HAZARD.**

The FMI warranty will be voided by, and FMI disclaims any responsibility for the following actions:

- A) Modifications of the fireplace or any of the components manufactured by FMI unless otherwise permitted by FMI.
- B) Use of any non-approved log set must be in compliance with ANSI Z21.11.2 current edition.
- C) Installation and / or operation in a manner other than instructed in this manual.
- D) The burning of anything other than the type of gas approved for the use in this gas Ventfree Fireplace.

This Ventfree Fireplace, when installed, must be electrically grounded in accordance with local codes or, in the absence of local codes, with the National Electrical Code, ANSI/NFPA 70-1990.

The installation must conform with local codes or, in the absence of local codes, to the National Fuel Gas Code ANSI Z2231.1-latest edition.

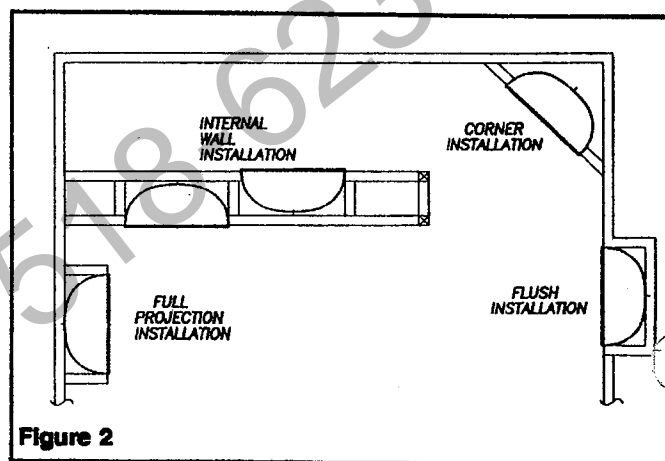
**NOTE:** Installation of this appliance should be done by a qualified service person well trained in the installation of such appliances. You will also need a building permit from your local Building and Safety Commissioner before installing this appliance; otherwise your insurance co. may not cover this appliance.

**THIS APPLIANCE IS NOT INTENDED TO BE USED AS A PRIMARY SOURCE OF HEAT.**

## SELECTING LOCATION

To determine the safest and most efficient location for your Ventfree Fireplace, you must take into consideration the following guidelines:

1. The location must allow for proper clearances (see section on clearances).
2. Consider a location where heat output would not be affected by drafts, air condition ducts, windows or doors.
3. A location that minimizes modifications on existing framing will make installation easier. **Figure 2** shows a plan view of a few common locations.



**Figure 2**

A **flush installation** is recommended where living space is limited or at a premium. Check local codes for any restrictions.

**Projected installations** can extend any distance into the room. A projection may be ideal for a new addition on an existing, finished wall.

**Corner Installations** make use of space that may not normally be used and provides a wider and more efficient range for radiant heat transference.

An **Internal Wall Installation** provides a discreet option for room separation and can also be ideal as an addition to an existing wall.

**Mobile Home Installation** may be installed in an **aftermarket** manufactured (mobile) home, where not prohibited by state or local codes. **Aftermarket** indicating completion of sale, not for purpose of resale, from the manufacturer. When assessing the acceptability of these appliances for installation in a confined or unusually tight construction provisions for adequate combustion and ventilation air must be made in accordance with one of the methods described in the latest edition of the National Fuel Gas Code ANSI Z223.1 Section 5.3.

**ALSO, IN SELECTING A LOCATION, THE FOLLOWING PRECAUTIONS MUST BE OBSERVED;**

1. Install in an area providing ventilation and adequate combustion air.
2. Due to high temperatures, the Ventfree Fireplace should be located out of traffic and away from furniture and draperies.
3. NEVER obstruct the front opening of the Ventfree Fireplace or the flow of combustion and ventilation air. Keep control compartments accessible.
4. Do not locate in the vicinity where gasoline or other flammable liquids may be stored. The Ventfree Fireplace area must be kept clear and free from these combustible materials.
5. DO NOT INSTALL THIS UNVENTED ASSEMBLY IN BEDROOMS OR BATHROOMS.

**CAUTION: DO NOT BLOCK REQUIRED AIR SPACES WITH INSULATION OR ANY OTHER MATERIAL. DO NOT OBSTRUCT EFFECTIVE OPENING OF APPLIANCE WITH ANY TYPE OF FACING MATERIAL.**

### MANTLE CLEARANCES

Woodwork, such as wood trims, mantles and other combustible material, must be installed as tested, per figures 5 and 6.

### CLEARANCES

DO NOT FOLLOW CLEARANCES GIVEN ON OTHER MFG PRODUCT TAGS. USE ONLY THE CLEARANCES SPECIFIED HEREIN OR THE FIREBOX RATING PLATE.

MINIMUM CLEARANCES TO COMBUSTIBLES ARE:

- Back and sides of outer surround:  $\frac{3}{4}$ " min.
- Drywall to sides and top of front face: 0" min.
- Ceiling to opening: 42" min.
- Floor: 0" min.
- Side vertical walls, Right and Left:  $15\frac{1}{2}$ " min.

Refer to Figures 3 and 4.

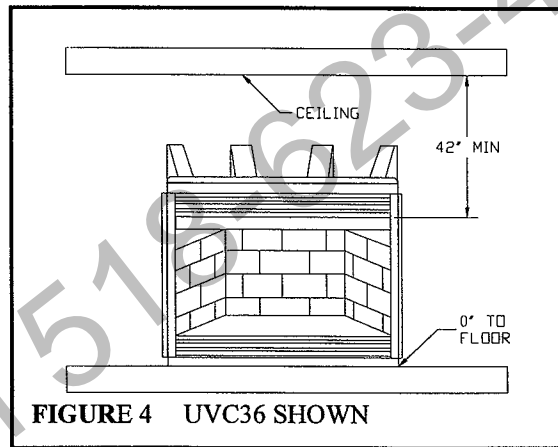


FIGURE 4 UVC36 SHOWN

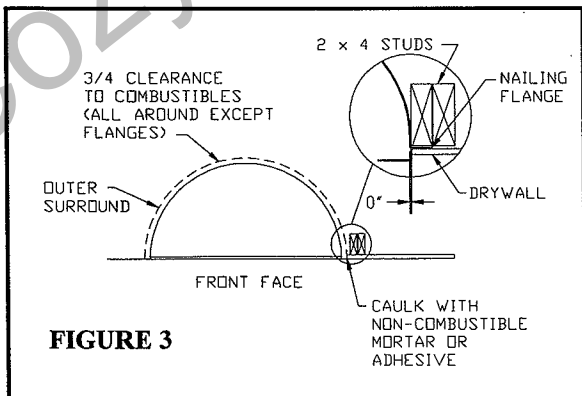


FIGURE 3

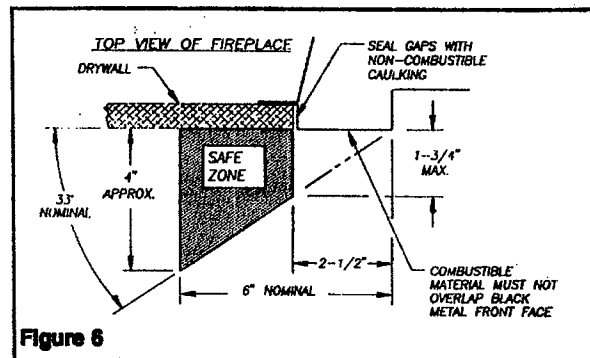
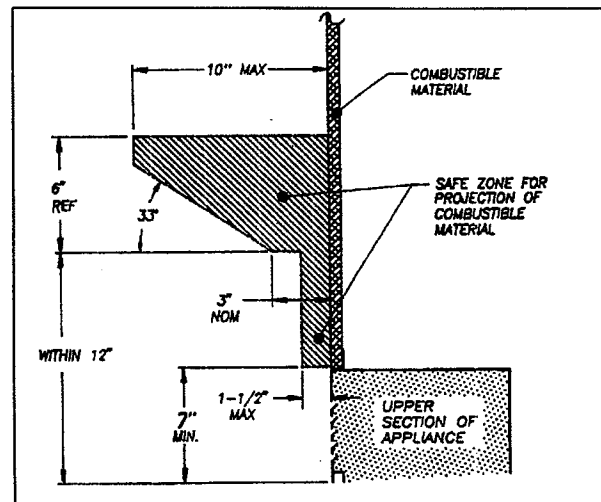


Figure 6

**NOTE:** The hood supplied with the unit **must** be installed for the safe operation of the unit. Please refer to the section on Heat Deflective Hood for installation.

## FRAMING

Construct framing using dimensions shown in figures 7 through 9, depending on your particular installation.

If the Ventfree Fireplace is to be installed directly on carpeting, tile (other than ceramic), or any combustible material other than wood flooring; the Ventfree Fireplace must be installed upon a metal or wood panel extending the full width and depth of the Ventfree Fireplace.

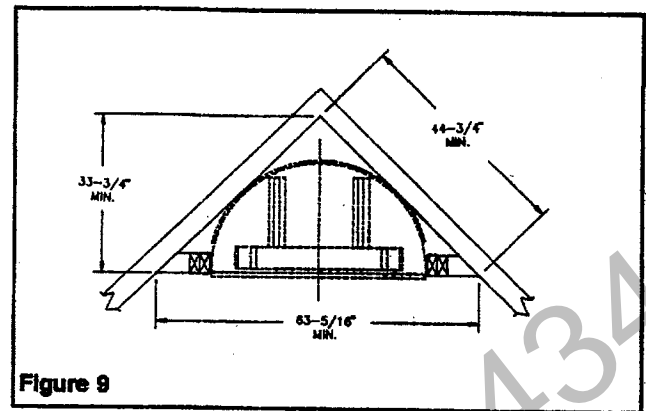


Figure 9

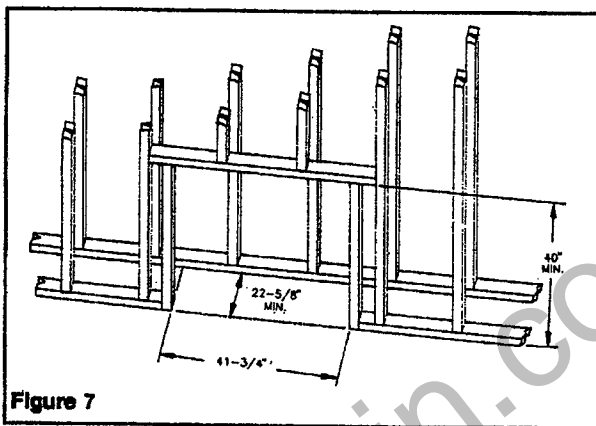


Figure 7

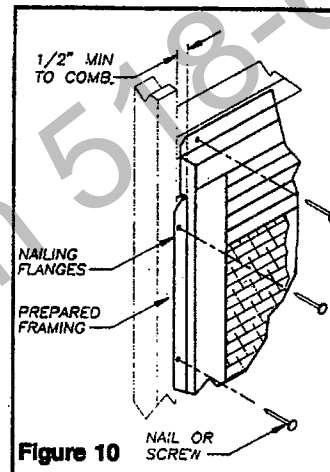


Figure 10

Secure Ventfree Fireplace to prepared framing by nailing flanges located at the sides and top of the Ventfree Fireplace as shown in figure 10.

If a raised platform is to be constructed, ceiling clearance must be maintained (refer to section on clearances).

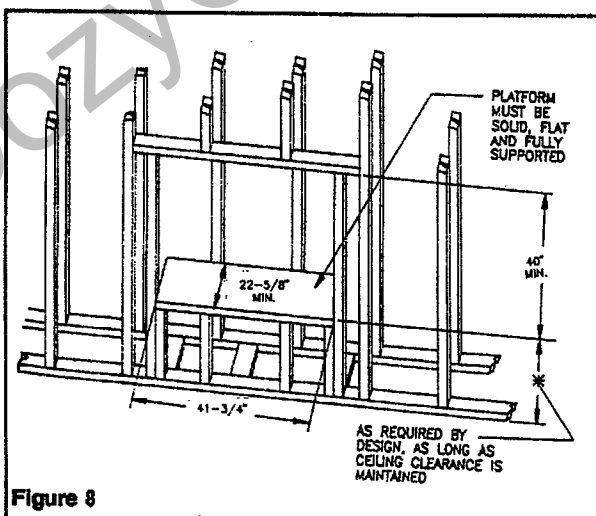


Figure 8

**UVC36 LOUVERED SERIES CONNECTION FOR  
OPTIONAL FAN SYSTEM INSTALLATION.**

Fan system assembly model CBK-TV is available for use with this UVC36 Ventfree Fireplace as an optional accessory. The fan is designed to be installed on the FMI factory prewired Ventfree Fireplace only. Use of a fan system other than those manufactured by FMI voids the warranty.

Electrical connections are made through the cover on the right side of the Ventfree Fireplace, (see Figure 11). Be certain to properly ground the Ventfree Fireplace to the green wire.

**NOTE:** A 120V SUPPLY CONNECTION TO THE JUNCTION BOX MUST BE PROVIDED FOR USE WITH THE CBK-TV OPTIONAL FAN KIT WHEN INSTALLED DURING OR AFTER INITIAL FIREBOX INSTALLATION. YOU MAY NOT BE ABLE TO INSTALL A SUPPLY CONNECTION AFTER THE FINAL INSTALLATION IS COMPLETED. REFER TO CBK-TV BLOWER KIT INSTRUCTIONS FOR SPECIFIC INSTALLATION REQUIREMENTS.

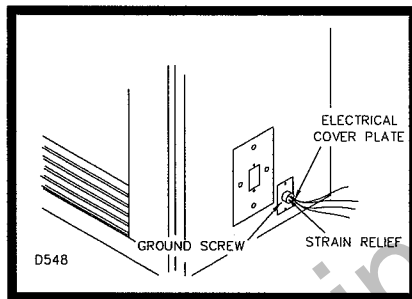


Figure 11

**GAS LINE HOOK-UP**

**GAS LINE HOOK-UP SHOULD BE DONE BY YOUR GAS SUPPLIER OR A QUALIFIED SERVICE PERSON.**

**NOTE: BEFORE YOU PROCEED, MAKE SURE YOUR GAS SUPPLY IS OFF!!**

A manual shut-off valve, AGA certified and complying with the national Fuel Gas code, ANSI Z223.1-latest edition, must be included within (6") six feet of the Ventfree Fireplace's gas supply system. It may be convenient to install the gas shut-off valve outside the Ventfree Fireplace's enclosure where it can be accessed with a key through a wall as shown in Figure 12.

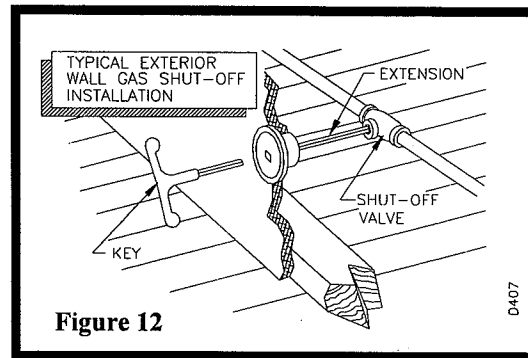


Figure 12

A 36' long 1/2" NPT SCHD 40 flexible gas line complying with the National Fuel Gas code ANSI Z223.1-latest edition, may be run from the regulator to the incoming 1/2" NPT black iron gas line or you may route incoming gas line directly to the regulator.

The incoming gas line may be routed into the Ventfree Furnace either from the left or right hand sides, (see Figure 13.)

Remove the gas line cover plate from the Ventfree Fireplace's outer surround at the location to be used. Remove insulation from inside the gas line conduit sleeve. Run gas line through until regulator can be reached.

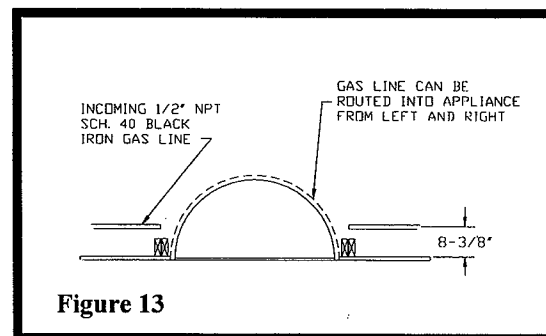


Figure 13

If a **sediment trap** is not incorporated as a part of the gas utilization equipment, a **sediment trap** shall be installed as close to the inlet of the equipment as practical at the time of installation, as per ANSI Z223.1-latest edition.

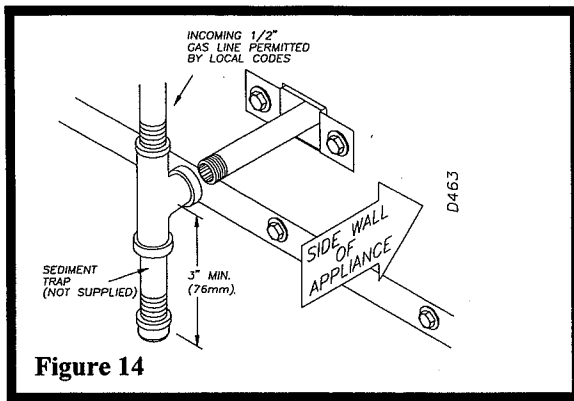


Figure 14

## OPERATING GUIDELINES & MAINTENANCE INSTRUCTIONS

When lit for the first time, the Ventfree Fireplace will emit a slight odor for about an hour or two. This is a normal occurrence which is due to the “curing” of the logs and the “burn-in” of internal paints and lubricants used in the manufacturing process.

Keep control compartment, logs, burners, and area surrounding the logs clean by vacuuming or brushing at least twice a year. Temporary removal of the log set may ease the cleaning of the burner and pilot assembly. In cleaning, take care not to alter the settings on the pilot assembly.

Prepare incoming black iron gas line with **Teflon tape** or **pipe joint compound** (check with local codes as to the use of Teflon tape).

Compounds used on threaded joints of gas piping shall be resistant to the action of Liquefied Petroleum (LP or Propane), and should be applied lightly to ensure excess sealant does not enter the gas line.

Complete your gas installation by connecting the incoming gas line to regulator. Secure all joints tightly with wrench but **do not over-tighten**. If a flexible gas line is used, take care not to kink connector.

**THE LOGS CAN GET VERY HOT!!  
HANDLE ONLY WHEN COOL.**

**CAUTION:** All gas piping and connections must be tested for leaks after the installation is completed. After ensuring that the gas valve is on, apply a soap and water solution to all connections and joints. If bubbles appear, leaks can be detected and corrected. **DO NOT USE AN OPEN FLAME FOR LEAK TESTING AND DO NOT OPERATE ANY APPLIANCE IF A LEAK IS DETECTED.**

### GAS SUPPLY TESTING

**NOTE:** This section is intended as a guide for qualified technicians installing gas to this Ventfree Fireplace.

**DO NOT CONNECT VENTFREE FIREPLACE BEFORE PRESSURE TESTING GAS PIPING. DAMAGE TO GAS VALVE MAY RESULT AND AN UNSAFE CONDITION MAY BE CAUSED.**

The appliance and its individual shut-off valve must be disconnected from the gas supply piping system during any pressure testing of that system at test pressures in excess of 1/2 psig (3.5 kPa).

The appliance must be isolated from the gas supply piping system by closing its individual manual shut-off valve during any pressure testing of the gas supply piping system at test pressures equal to or less than 1/2 psig (3.5 kPa).

**IMPORTANT:** Turn off gas and remote wall switch before servicing appliance. Any safety screen or guard removed for servicing must be replaced prior to operating the appliance.

Installation and repair should be done by a qualified person. The appliance should be inspected before use and at least annually by a professional service person. More frequent cleaning may be required due to excessive lint from carpeting, bedding material, etc. It is imperative that control compartments, burners and circulating air passageways of the appliance be kept clean.

**WARNING:** Children and adults should be alerted to the hazards of high surface temperatures and to stay away to avoid burns or clothing ignition. Young children should be carefully supervised when they are in the same room as the appliance.

**WARNING:** Any change to this heater or its controls can be dangerous.

**FOR LIGHTING AND OPERATING THIS VENTFREE FIREPLACE, PLEASE REFER TO THE VENTFREE GAS LOGS MANUFACTURER'S INSTRUCTION MANUAL.**

## REPLACEMENT & ACCESSORY PARTS

**FAN SYSTEM:** A fan system is available for the UVC36 Circulating series only and may be installed during or after installation has been completed, as long as fan system receptacle is properly connected to normal house current.

**HEAT DEFLECTIVE HOOD:** One black painted steel hood comes standard with the unit, which **must** be installed for safe operation. Available as an option are hoods with a Polished Brass finish and a Polished Chrome finish.

**REFRACTORIES:** Refractory rear, sides and hearth come standard with all units.

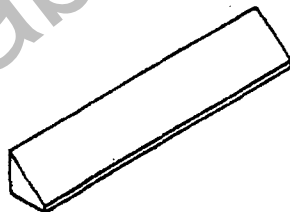
---

### BEFORE ORDERING:

- Please have your Ventfree Fireplace's model name or number and the part number of the item(s) you are ordering ready.
- The model name or numbers for your particular Ventfree Fireplace may be found on the rating label, (see Figure 1).
- Refer to the parts list and diagrams when ordering replacement parts for your Ventfree Fireplace.
- Repair parts or accessory items may be bought from your distributor or dealer.
- All product specifications are subject to change without notice.

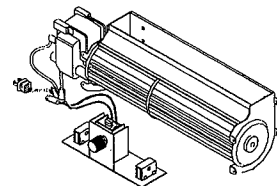
### HEAT DEFLECTIVE HOOD (REQUIRED)

P/N: 01750



### FAN SYSTEM ASSEMBLY

P/N: 00983



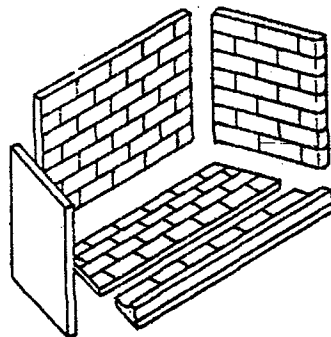
### REFRACTORY

SIDE RIGHT & LEFT-P/N: 20030

REAR-P/N: 20029

HEARTH/BACK-P/N: 21241

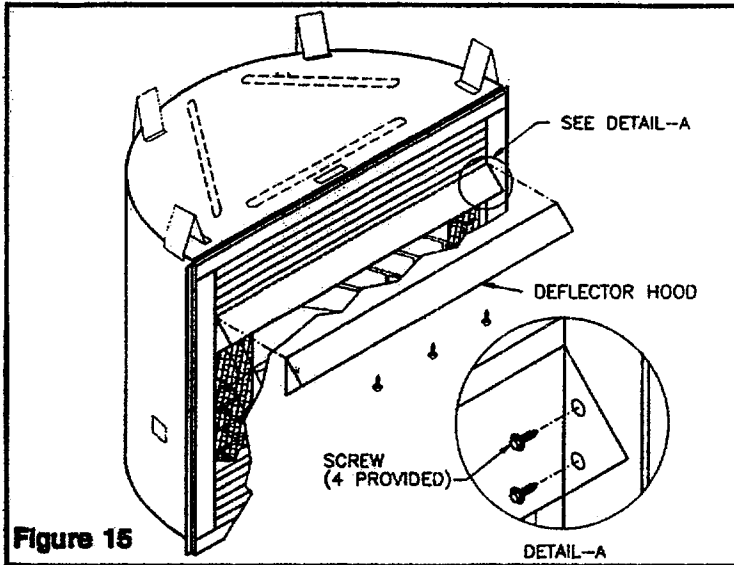
HEARTH/FRONT-P/N: 24145





## **HEAT DEFLECTIVE HOOD**

The factory supplied Heat Deflective Hood must be installed inside the fireplace opening for the safe operation of the unit as shown in (Figure 15). Remove protective coating film on hood, if any.



**Figure 15**

Remove three (3) existing screws from the upper frontal surround. Position deflective hood into frontal opening and secure in place with the three (3) screws. Fasten the ends of the deflective hood in position as shown in Figure 15.

Do not clean Hood with abrasive cleanser. Use only regular household cleaners and a smooth cloth.

# **FIREPLACE MANUFACTURERS, INC.**

## **GAS APPLIANCE**

### **LIMITED ONE YEAR WARRANTY**

---

#### **THE WARRANTY**

Fireplace manufacturers, Inc. (hereafter referred to as FMI), warrants the FMI Gas Appliance to be free from defects in materials and workmanship at the time of manufacture.

#### **REMEDY AND EXCLUSIONS**

The coverage of this Warranty is limited to all components of the gas appliance manufactured by FMI.

If the gas appliance covered by this Warranty is found to be defective within one year from the date of installation, FMI will, at its option, replace or repair defective components of the gas appliance manufactured by FMI at no charge, or will pay for reasonable costs incurred in replacing or repairing such components. These charges should be pre-approved by FMI before any work can be done.

This Warranty covers only parts and labor as provided above. In no case shall FMI be responsible for materials, components, or construction, which are not manufactured or supplied by FMI. FMI will not be responsible for any labor charges to remove such materials, components, or construction. All replacement parts will be shipped F.O.B., Santa Ana, to purchasers' address or the nearest FMI distributor.

#### **QUALIFICATIONS TO THE WARRANTY**

The gas appliance Warranty outline above is further subject to the following qualifications:

1. The gas appliance must be installed as per the FMI installation instructions provided and local building codes. The use of components manufactured by others with this FMI gas appliance could create serious safety hazards, may result in denial of certification by recognized national safety agencies, and could be in violation of local building codes. This Warranty does not cover any damages occurring from the use of any components not manufactured or supplied by FMI.
2. THE FMI APPLIANCE MUST BE SUBJECTED TO NORMAL USE. THE GAS APPLIANCES ARE DESIGNED TO BURN EITHER NATURAL OR PROPANE GAS ONLY. BURNING CONVENTIONAL FIREPLACE FUELS SUCH AS WOOD, COAL, OR ANY OTHER SOLID FUEL WILL CAUSE DAMAGE TO THE GAS APPLIANCE, WILL PRODUCE EXCESSIVE TEMPERATURES, AND WILL RESULT IN A FIRE HAZARD.

#### **LIMITATION OF LIABILITY**

It is expressly understood that FMI's sole obligation and purchaser's exclusive remedy under this Warranty, expressed or implied, or in contract, tort, or otherwise, shall be limited to replacement or repair as specified above. In no event shall FMI be responsible for any incidental or consequential damages caused by defects in its products, whether such damage occurs or is discovered before or after replacement or repair, and whether or not such damage is caused by FMI's negligence. Some States do not allow the exclusion or limitation of incidental or consequential damages, so the above limitation or exclusion may not apply to you. The duration of any implied warranty with respect to this FMI decorative gas appliance is limited to the duration of the foregoing Warranty.

#### **INVESTIGATION OF CLAIMS AGAINST WARRANTY**

FMI reserves the right to investigate any and all claims against this Warranty and to decide upon method of settlement.

#### **FMI IS NOT RESPONSIBLE FOR WORK DONE WITHOUT WRITTEN CONSENT**

FMI shall in no event be responsible for any warranty work done without first obtaining FMI's written consent.

#### **HOW TO REGISTER A CLAIM AGAINST WARRANTY**

A (FMI) dealer or distributor should be contacted directly by the owner for any service, including service under these warranties. The repair and replacement of any defective part covered by these warranties is the responsibility of the nearest (FMI) dealer or distributor.

#### **OTHER RIGHTS**

This Warranty gives you specific rights, and you may also have other rights, which vary, from State to State.

THESE WARRANTIES ARE GIVEN IN LIEU OF ANY OTHER EXPRESSED WARRANTIES. FIREPLACE MANUFACTURERS, INC. (FMI) DOES NOT AUTHORIZE ANY PERSON OR REPRESENTATIVE TO MAKE REPRESENTATIONS TO THE CONTRARY IN CONNECTION WITH THE SALE OF A GAS APPLIANCE.

CozyCabin.com 518-623-4349

Manufactured by Fireplace Manufacturers Incorporated  
2701 So. Harbor Blvd., Santa Ana, CA 92704

P/N 55438  
2/98 ECN2256