

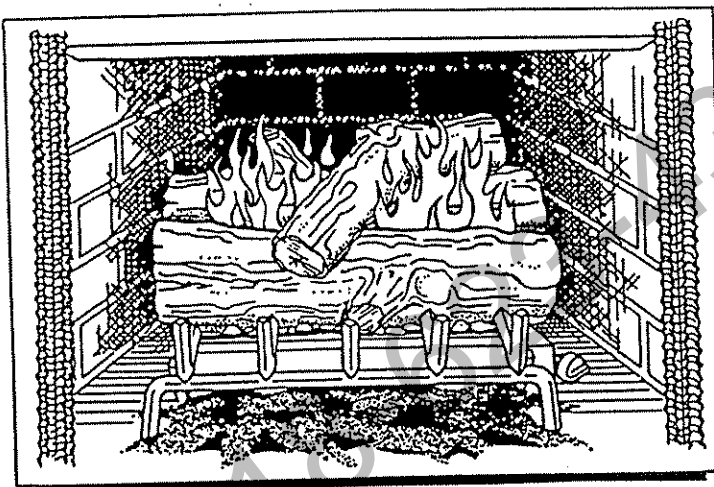
TEMCO FIREPLACE PRODUCTS, Inc.

Operating Instructions for Gas Log Heaters

Models AD3930N, AD3130P, AD39N, AD31P, AD10N, AD10P, AD29N, AD23P

Models ending with "N" use natural gas; models ending with "P" use propane (LP) gas.
READ AND SAVE THESE INSTRUCTIONS

This appliance operates as an unvented room heater certified under ANSI Z21.11.2, (latest edition) when fitted to a solid fuel burning masonry or factory built fireplace with the flue damper closed. It also operates as a decorative appliance under ANSI Z21.60, (latest edition), when fitted to a solid fuel burning masonry or factory built fireplace with the flue damper open. State or local codes may only allow operation of this appliance in a vented configuration. Check your state or local codes.



WARNING

If the information in this manual is not followed exactly, a fire or explosion may result causing property damage, personal injury or loss of life.

FOR YOUR SAFETY

- Do not store or use gasoline or other flammable vapors and liquids in the vicinity of this or any other appliance.
- Installation and service must be performed by a qualified gas installer, service agency or the gas supplier.

WHAT TO DO IF YOU SMELL GAS

- Do not light any appliance.
- Do not touch any electric switch; do not use any phone in your building.
- Immediately call your gas supplier from a neighbor's phone. Follow the gas supplier's instructions.
- If you cannot reach your gas supplier, call the fire department.

This is an unvented gas-fired heater. It uses air (oxygen) from the room in which it is installed. Provisions for adequate combustion and ventilation air must be provided.



TEMCO 
FIREPLACE PRODUCTS

P.O. BOX 1349 Manchester, TN 37349

P.O. Box 1148 Perris, CA 92572

PRINTED IN USA 05/97 7N72694A

CONTENTS

Important Information	3
Important Safeguards.....	3
Safety instructions	4
Lighting instructions	4
Turning Off Gas to Appliance	4
Match lighting	5
Flame check.....	5
Managing heat output	5
Maintenance	
Cleaning.....	5
Log placement	6 - 7

This book contains your operating instructions and should be kept in a safe place. For you to realize all the advantages and use of the reliable service that has been engineered into your TEMCO gas log appliance, you must carefully follow all of the instructions contained in this book regarding operation of the fireplace.

These instructions should be read carefully in their entirety before using the fireplace.

It is suggested that you wear work gloves and safety glasses to protect your hands and eyes when cleaning/servicing your fireplace.

FAILURE TO FOLLOW THESE INSTRUCTIONS WILL VOID YOUR WARRANTY AND MAY PRESENT A FIRE HAZARD.

IMPORTANT INFORMATION

A FEW BASIC RULES...

INSTALLER: Please leave these instructions with the owner.

OWNER: Please retain these instructions for future reference.

IMPORTANT: READ THESE INSTRUCTIONS CAREFULLY BEFORE OPERATING.

WARNING: ANY CHANGE TO THIS HEATER OR ITS CONTROLS CAN BE DANGEROUS.

- The appliance area must be kept clear and free from combustible materials, gasoline and other flammable vapors and liquids.
- Young children should be carefully supervised when they are in the same room as the appliance.
- Installation and repair should be done by a qualified service person or appliance installer.
- The appliance must be inspected before use and at least annually by a professional service person. More frequent cleaning may be required due to excessive lint from carpeting, bedding material, dust, pet hair, etc. It is important that the control compartment, burners and circulating air passageways of the appliance be kept clean.
- Children and adults should be alerted to the hazard of high surface temperatures and should stay away to avoid burns or clothing ignition.
- DO NOT place clothing or other flammable material on or near the appliance.
- The installation must conform with local codes or, in the absence of local codes, with the NATIONAL FUEL GAS CODE, ANSI Z223, latest edition.
- Any safety screen or guard removed for servicing an appliance must be replaced prior to operating the heater.
- The appliance and its individual shut-off valve must be disconnected from the gas supply piping system during any pressure testing of that system at test pressures in excess of 1/2 PSIG (3.5 kpa).
- The appliance must be isolated from the gas supply piping system by closing its individual manual shut-off valve during any testing of the gas supply piping system at test pressures equal to or less than 1/2 PSIG.

- DO NOT use this heater in recreational vehicles, bedrooms or bathrooms.
- DO NOT use this heater if any part of it has been submerged under water. Immediately call a qualified technician to inspect the appliance and replace any part of the control system and any gas control which has been under water.
- Keep the burner and control compartment clean. See maintenance instructions in this manual.
- NEVER USE THE HEATER AT A SETTING BETWEEN THE POSITIONS SHOWN ON THE CONTROL KNOB AS THIS CAN RESULT IN IMPROPER COMBUSTION AND EXCESSIVE CARBON MONOXIDE EMISSIONS.
- THE APPLIANCE MUST BE OPERATED WITH GLASS DOORS FULLY OPEN.
- OUTSIDE AIR DAMPER OR ASH DUMP (IF PRESENT) MUST BE CLOSED AND SEALED.
- DO NOT operate ceiling fan in room or area with logs when logs are on.
- Solid fuels (i.e. paper, trash) shall not be burned in a fireplace in which a vent-free gas log is installed.

WARNING: Do not allow fans to blow directly into the fireplace. Avoid any drafts that alter burner flame patterns.

WARNING: Do not use a blower insert, heat exchanger insert or other accessory not approved for use with this heater.

WARNING: During manufacturing, fabricating and shipping, various components of this appliance are treated with certain oils, films or bonding agents. These chemicals are not harmful but may produce annoying smoke and smells as they are burned off during the initial operation of the appliance, possibly causing headaches and eye/lung irritation. This is a normal and temporary occurrence.

IMPORTANT SAFEGUARDS

Although your gas logs are very realistic in appearance, it is not a real wood-burning fireplace and must not be used for burning rejected material.

To avoid irreparable damage to the appliance or personal injury; matches, paper, garbage or any other material must not be placed or thrown on top of the logs or into the flames.

To avoid personal injury, do not touch hot surfaces when the appliance is operating.

Touch only the piezo button and control knob. Avoid contact with the front screen, canopy or any other part which will be very hot.

Always ensure that the fireplace screen is in place when the appliance is operating.

Close supervision is necessary when the appliance is being operated near children.

Do not use to cook food.

We recommend a minimum 120 gallon tank for use with this appliance. Other household gas appliances may require the tank size to be larger. Do not operate the vent free fireplace if the fuel level in the propane tank is below 1/4 full.

WARNING: The glowing ember base and all the logs are manufactured from bonded ceramic fiber. This is a commonly used material in industry worldwide. In the event of the logs and base being removed, care should be taken not to damage the bonded material. Intentional misuse of, or deliberately fragmenting, the material could lead to inhaling fibers and be injurious to health.

This appliance is intended to be used only for supplemental heat. Do not use it routinely as a primary heat source. Continuous operation could produce excessive humidity depending on construction characteristics and outdoor temperatures (below 20°F). Over time, this could cause condensation to form and damage wall structures and exterior paint.

FOR YOUR SAFETY READ BEFORE LIGHTING

WARNING: If you do not follow these instructions exactly, a fire or explosion may result causing property damage, personal injury or loss of life.

A. This appliance is equipped with an ignition device, (piezo), which automatically lights the pilot (see figure A.1). If the piezo fails, then light the pilot with matches. Refer to match lighting instructions.

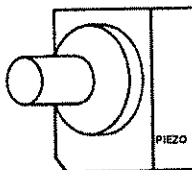


Figure A.1

B. BEFORE OPERATION smell all around the appliance area for gas. Be sure to smell next to the floor because some gas is heavier than air and will settle on the floor.

WHAT TO DO IF YOU SMELL GAS:

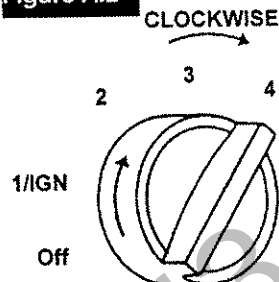
- Do not try to light any appliance.
- Do not touch any electrical switch; do not use any telephone in your building.
- Immediately call your gas supplier from a neighbor's telephone.
- Follow the gas supplier's instructions.

- If you cannot reach your gas supplier, call the fire department.

C. Use only your hand to push in or turn the gas control knob. Never use tools. If the knob will not push in or turn by hand, don't try to repair it. Call a qualified service technician. Force or attempted repair may cause a fire or an explosion.

D. Do not use this appliance if any part of it has been under water. Immediately call a qualified service technician to inspect the appliance and to replace any part of the control system or gas control which has been under water.

Figure A.2*



LIGHTING INSTRUCTIONS

1. **STOP!** Read the safety information above before proceeding.

2. Refer to Figure A.2. To turn off the gas supply, depress the knob slightly and turn clockwise to the OFF position.

3. Wait five minutes to clear out any gas. If you then smell gas, STOP! Follow "B," in the safety information above. If you don't smell gas, go on to the next step.

4. Refer to Figure B. Locate the pilot. It is at the right of the front main burner next to the control knob.

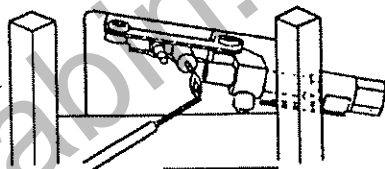


Figure B

5. Refer to Figure C. Push in the control knob and turn counterclockwise to the 1/IGN position. Hold the control knob in for a few seconds.

6. While still holding in the control knob, press the ignitor push-button several times. This will cause a spark at the pilot which will ignite the pilot gas.

7. Refer to Figure C. Hold the control knob for 20 seconds to prevent the flame failure detector from shutting off the gas while its probe is warming up.

8. Release the control knob.

- If the knob does not pop up when released, stop and immediately call your service technician.

- If the pilot will not stay lit after several tries, turn the gas control knob to OFF and call your service technician or gas supplier.

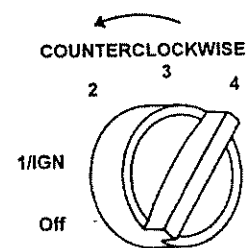
9. To turn the gas supply on, depress the knob slightly and turn to the setting you prefer.

10. Refer to the table on page 2 of the installation manual for setting positions.

11. This appliance is fitted with a transient pilot burner for the sole purpose of safe, momentary ignition of the main burner in conjunction with the piezo ignitor. When in operation with the main burner, it contributes to the base heat release and is turned off by turning the control knob to the OFF position.

12. The control knob should not be left at the ignition setting after the pilot has been ignited.

Figure C



TO TURN OFF GAS TO THE APPLIANCE

Depress the control knob slightly and turn it Clockwise to the OFF position. Refer to Figure A.2.

MATCH LIGHTING

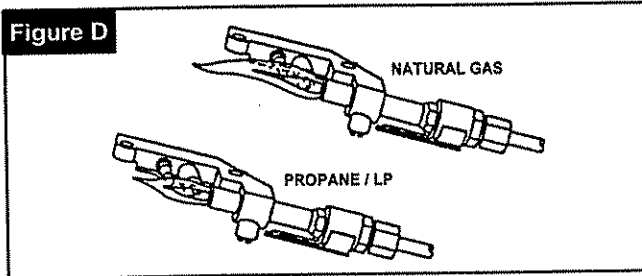
If the pilot cannot be ignited with the piezo, it can be manually lit with the use of a match and lighter rod

1. Place the match in the holder and light. With the right hand, depress and turn the control knob counterclockwise (see figure C, page 4) to the 1/IGN position. Hold in for 20 seconds.

2. Take the lighter rod and lighted match and ignite the pilot, (see figure B, page 4).
3. Continue to hold the control knob for an additional 20 seconds to ensure pilot is maintained.
4. Proceed with step 8 in lighting instructions on page 4.

FLAME CHECK

A periodic visual check of the flames should be made. The pilot flame should always be present when the appliance is in operation. See figure D.

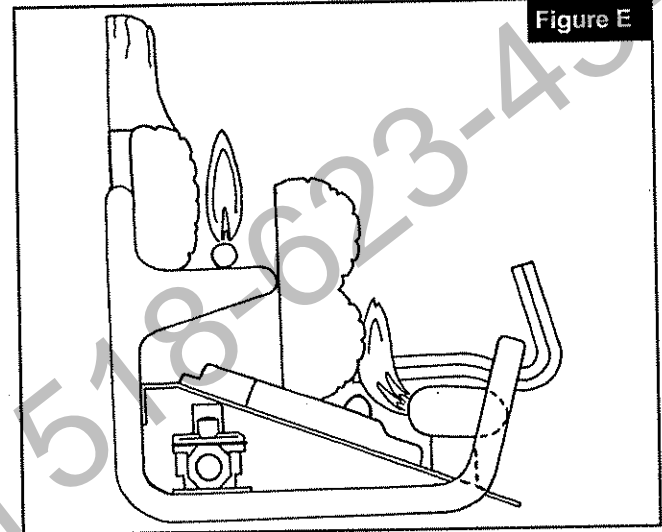


In normal operation (at full rate for approximately 15 minutes) the following flame appearance should be observed:

Rear Flames: The flames at the rear or on either side of the top log should be very similar, yellow in color and should extend about 3-4 inches above the large front log for natural gas units and 2-3 inches for propane/LP units.

Main Burner: The flames at the burner front face will be blue becoming yellowish as they hit the bottom of the front logs. Typical main burner flame shapes are given in figure E.

NOTE: For your safety, the appliance is equipped with an oxygen depletion system. The system senses the oxygen in the atmosphere and switches off the gas supply in case the level of oxygen falls below a safe level. It must not be altered in any way.



MANAGING HEAT OUTPUT

The heat output from the appliance can be controlled by the position of the flue damper.

The damper setting should be fully closed for maximum heat output, partially closed for less heat output and fully open for minimum heat output.

The appliance may be used in a working solid fuel burning fireplace with the fuel damper closed only if unvented appliances are permitted by local state and city codes. It may also be operated as a decorative appliance whose prime function lies in the aesthetic effect of the flames when

installed in a solid fuel burning fireplace with the flue damper open. If unvented heaters are not permitted, the fireplace vent damper must be locked at a minimum vent area of 34 sq. ins.

Whenever the appliance is operated with the fireplace's flue damper closed, glass doors - if present - must be open and the outside air damper and the ash dump (if the fireplace is equipped with either one) must be closed.

MAINTENANCE

CLEANING

CAUTION: Before cleaning or moving logs or other parts of the unit, be sure to read the section on important safeguards.

Cleaning should be done before the logs are used each year and after long periods of non-use.

All cleaning should be carried out when the appliance is cold.

Only limited cleaning will be required under normal use. Dusting the front grate, the top of the piezo cover or the control knob panel may be required occasionally. Do not use any cleaning fluids to clean the logs or any other part of the appliance.

If the flames show any unusual shapes or behavior, or if the burners fail to ignite properly, then the burner holes may require cleaning. If this occurs, it is preferable to contact your nearest dealer to get the appliance serviced.

Alternatively, the appliance can be cleaned by removing the top, front and rear logs. Handle the logs gently so as not to damage them. Always lift each log by holding it carefully at each end. Use a vacuum cleaner to carefully remove dust and loose particles from the base, logs and from around the burners. Gloves are recommended to prevent the ceramic fibers that compose the logs from pricking your skin. If the skin is pricked, wash gently with soap and water.

When the appliance is used as a vented decorative fireplace, the chimney must be checked annually for blockage or restrictions from soot, bird or animal nests, or corrosion of steel chimney tops.

MAINTENANCE (CONTINUED)

POSITIONING LOGS

The logs must be positioned ONLY as illustrated in figure F.

- Position the front log so that the large notch in the underside of the right end of the log fits securely and rests on the sheet metal control cover as shown in figure G. The front right end of the log has a 'V' shaped notch to touch the back of the right-hand grate bar as shown in figure H. The left underside of the front log has a tab that will fit into mating slot in the ember base. When the log is properly placed, there should be no gap between the right underside of the front log and the top edge of the ember base.

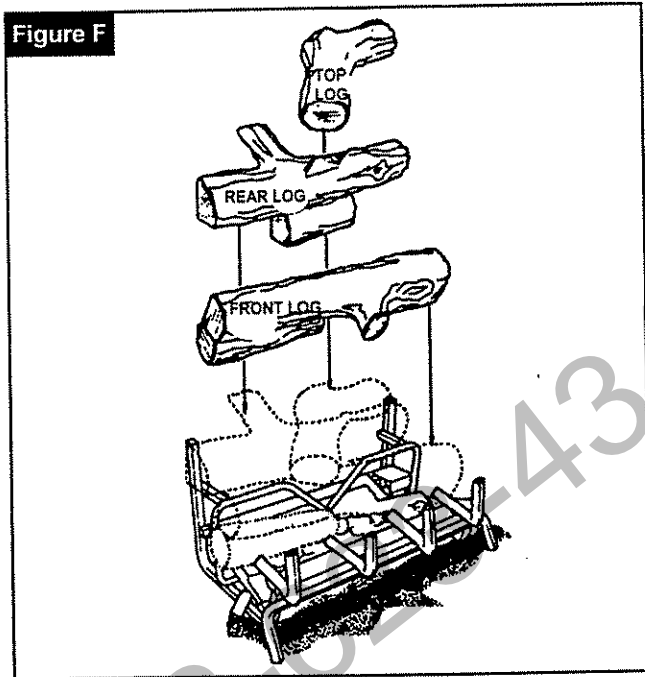
CAUTION: Failure to position these parts as they are described in these instructions will cause improper combustion and may result in soot being produced.

- Position the rear log so that the notches in the back of the log go around and up against the vertical bars of the grate assembly. Install the rear log behind the log spacer brackets. The bracket in the center of the burner assembly must fit into the hole in the center underside of the back log, (see figure I for proper placement of the rear log).
- Position the top log so that its tongue fits securely into the slot on the top of the rear log and the peg fits into the hole in the top of the front log. The top log, when properly positioned, establishes the correct spacing between the front and rear logs.

ENSURE THAT THE LOGS ARE CENTRAL AND VERTICAL AS SEEN FROM THE SIDE. TO PREVENT UNWANTED SOOTING, THE FLAME FROM THE BACK BURNER SHOULD NOT TOUCH ANY LOG.

CAUTION: Proper location is critical. When positioning the log set, make sure that the logs do not interfere with the sides of the fireplace before securing the chassis.

Figure F



WARNING: Failure to position the parts in accordance with this diagram or failure to use only parts specifically approved with this heater may result in property damage or personal injury. Do not alter logs!

Figure G

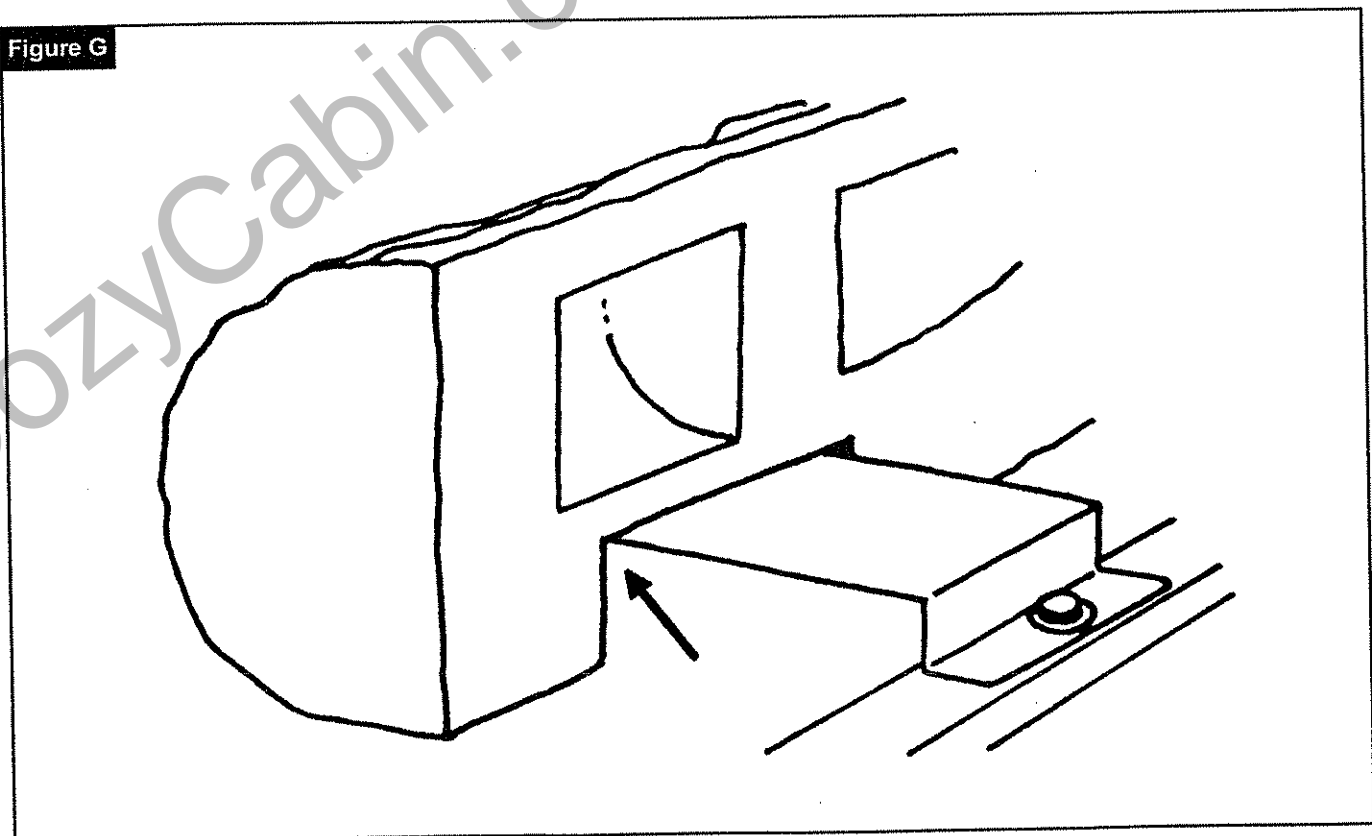


Figure H

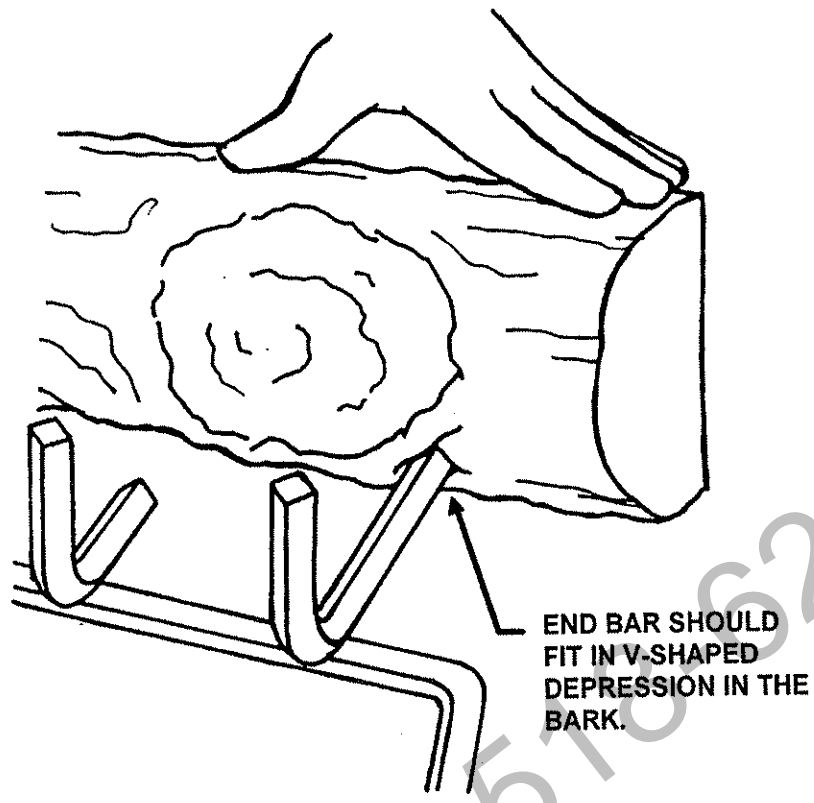


Figure I

