

DIRECT-TEMP[®]

FUEL TYPE:

Gas | Pellet | Multi-fuel

US AND CANADA

TABLE OF CONTENTS

| | |
|--|-------|
| Features | 3 |
| Pellet & Gas Pipe & Accessories: | |
| Direct-Temp Pipe Lengths | 6 |
| Direct-Temp Elbows..... | 7 |
| Direct-Temp Supports | 8 |
| Direct-Temp Flashings and Collar | 9 |
| Direct-Temp Shields | 10 |
| Direct-Temp Adapters..... | 11 |
| Miscellaneous..... | 12 |
| Direct-Temp Accessories | 12 |
| Gas Accessories: | |
| Direct-Temp Termination Kits | 14 |
| Direct-Temp Termination Caps | 15-17 |
| Direct-Temp Adapters..... | 17 |
| Direct-Temp Accessories | 18 |
| Pellet Accessories: | |
| Pellet Vent Components..... | 20-22 |
| VP Pellet Termination Kits..... | 23 |
| UPP Pellet Termination Kits..... | 24 |
| Multi-Fuel System: | |
| Direct-Temp/Multi-Fuel (DT-M) Appliance Venting Solution | 26 |
| Lengths | 27 |
| Elbows and Tees | 28-29 |
| Supports | 29-30 |
| Parts & Accessories | 30-32 |
| Outside the House Parts..... | 33-34 |
| Support Kits..... | 35 |

FEATURES



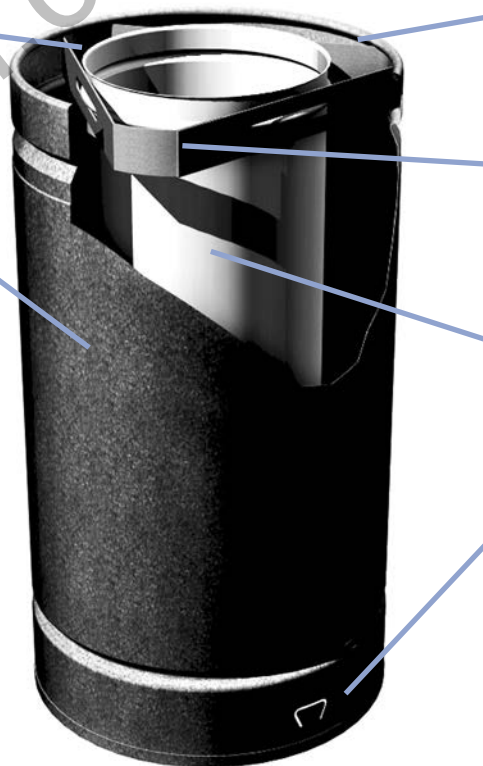
- 304 stainless steel welded seam inner flue
- LockTab® security
- Pipe rotates easily to align system components
- No sealant required
- High efficiency performance
- Siliconized fiberglass seal

WHAT MAKES THE DIRECT-TEMP® SYSTEM UNIQUE?

Chamfered edges allow for easy slide-together assembly.

Centering brackets are not welded or riveted in place, creating a more attractive outer jacket and a smooth profile. The free-floating inner liner allows the pipe to expand and contract under high temperature, without creating gaps or stress points in the system.

Our proprietary siliconized fiberglass seal adds an extra layer of protection to ensure combustion products won't leak out.



Outer walls are constructed of heavy duty galvanized steel and are available in powder coat black or unpainted versions.

Heavy duty centering brackets keep inner pipe centered for easy assembly. Brackets also allow the inner pipe to float, allowing for expansion and contraction.

The 304 stainless steel seam-welded inner pipe provides exceptional corrosion resistance and enhances overall system integrity.

Our LockTab® is a unique design that allows for 360° rotation while securely locking the sections of pipe together with just a push of the tab.



**ALL BACKED BY THE
BEST WARRANTY IN
THE BUSINESS.**

CozyCabin.com 518-623-4349

Pellet & Gas Pipe & Accessories



Direct-Temp Pipe Lengths

DIRECT-TEMP® PIPE LENGTH



- Available in lengths of 6", 9", 12", 18", 24", 36" and 48"
- Available in powder coat black or unpainted

| Size | Description | Part # | (A) Lengths | Galvanized Sku # | Black Sku # | Net Installed Lengths |
|------------------|---------------|--------|-------------|------------------|-------------|-----------------------|
| 4 x 6 5/8 | DT - 6" Pipe | 4DT-06 | 6" | 1604006 | 1604006B | 4-3/8" |
| | DT - 9" Pipe | 4DT-09 | 9" | 1604009 | 1604009B | 7-3/8" |
| | DT - 12" Pipe | 4DT-12 | 12" | 1604012 | 1604012B | 10-3/8" |
| | DT - 18" Pipe | 4DT-18 | 18" | 1604018 | 1604018B | 16-3/8" |
| | DT - 24" Pipe | 4DT-24 | 24" | 1604024 | 1604024B | 22-3/8" |
| | DT - 36" Pipe | 4DT-36 | 36" | 1604036 | 1604036B | 34-3/8" |
| | DT - 48" Pipe | 4DT-48 | 48" | 1604048 | 1604048B | 46-3/8" |
| 5 x 8 | DT - 6" Pipe | 5DT-06 | 6" | 1605006 | 1605006B | 4-3/8" |
| | DT - 9" Pipe | 5DT-09 | 9" | 1605009 | 1605009B | 7-3/8" |
| | DT - 12" Pipe | 5DT-12 | 12" | 1605012 | 1605012B | 10-3/8" |
| | DT - 18" Pipe | 5DT-18 | 18" | 1605018 | 1605018B | 16-3/8" |
| | DT - 24" Pipe | 5DT-24 | 24" | 1605024 | 1605024B | 22-3/8" |
| | DT - 36" Pipe | 5DT-36 | 36" | 1605036 | 1605036B | 34-3/8" |
| | DT - 48" Pipe | 5DT-48 | 48" | 1605048 | 1605048B | 46-3/8" |

NOTE: Add (B) to end of Part # to specify black exterior when ordering.

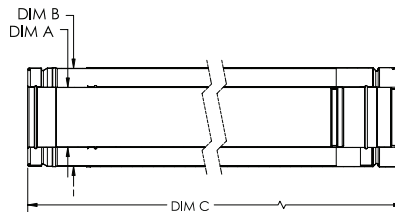
TELESCOPIC LENGTH



- Telescopic lengths adjust 14"–22" on TL14 or 38"–70" on TL38
- Available in powder coat black or unpainted

| Size | Description | Part # | Sku # |
|------------------|---|-----------|----------|
| 4 x 6 5/8 | Telescopic Length 14-22" 4 x 6-5/8" | 4DT-TL14 | 1604084 |
| | Telescopic Length 14-22" 4 x 6-5/8" Black | 4DT-TL14B | 1604084B |
| | Telescopic Length 38-70" 4 x 6-5/8" | 4DT-TL38 | 1604086 |
| | Telescopic Length 38-70" 4 x 6-5/8" Black | 4DT-TL38B | 1604086B |

| Part # | DIM A | DIM B | DIM C |
|-----------------|-----------|---------------|---------------|
| 4DT-TL14 | 4" | 6.625" | 14-22" |
| 4DT-TL38 | 4" | 6.625" | 38-70" |



ADJUSTABLE LENGTH



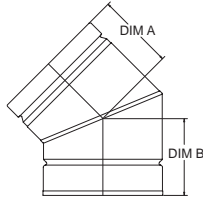
- Adjustable length slides onto standard pipe section for adjustment from 4" to 10"
- Available in powder coat black or unpainted

| Size | Description | Part # | Sku # |
|------------------|--|-----------|----------|
| 4 x 6 5/8 | Adjustable Length 4-10" 4 x 6-5/8" | 4DT-AJ12 | 1604082 |
| | Adjustable Length 4-10" 4 x 6-5/8" Black | 4DT-AJ12B | 1604082B |
| 5 x 8 | Adjustable Length 4-10" 5 x 8" | 5DT-AJ12 | 1605082 |
| | Adjustable Length 4-10" 5 x 8" Black | 5DT-AJ12B | 1605082B |

| SIZE | DIM A |
|-------------------|------------|
| 4 x 6-5/8" | 12" |
| 5 x 8" | 12" |

Direct-Temp Elbows

45° ELBOW

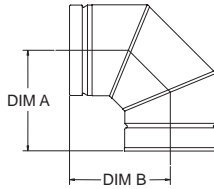


- 45° fixed elbow rotates at the joint connection to properly align installation
- Available in powder coat black or unpainted

| Size | Description | Part # | SKU # |
|-------------------|-----------------------------------|-----------|----------|
| 4 x 6 5/8" | Elbow 4 x 6-5/8" 45 Degrees | 4DT-EL45 | 1604215 |
| | Elbow 4 x 6-5/8" 45 Degrees Black | 4DT-EL45B | 1604215B |
| 5 x 8" | Elbow 5 x 8" 45 Degrees | 5DT-EL45 | 1605215 |
| | Elbow 5 x 8" 45 Degrees Black | 5DT-EL45B | 1605215B |

| SIZE | DIM A | DIM B |
|-------------------|-------------|-------------|
| 4 x 6-5/8" | 4.3" | 4.3" |
| 5 x 8" | 5" | 5" |

90° ELBOW



- 90° fixed elbow rotates at the joint connection to properly align installation
- Available in powder coat black or unpainted

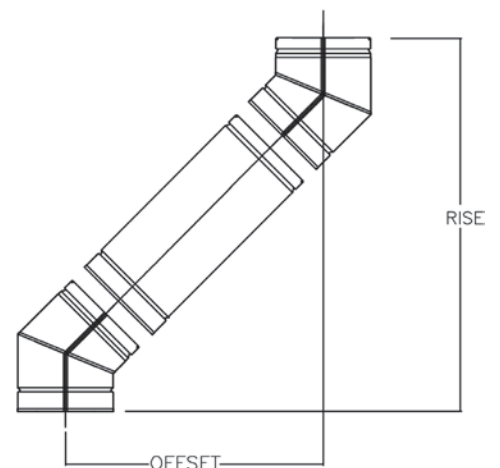
| Size | Description | Part # | SKU # |
|-------------------|-----------------------------------|------------|-----------|
| 4 x 6 5/8" | Elbow 4 x 6-5/8" 90 Degrees | 4DT-EL90S | 1604230S |
| | Elbow 4 x 6-5/8" 90 Degrees Black | 4DT-EL90SB | 1604230SB |
| 5 x 8" | Elbow 5 x 8" 90 Degrees | 5DT-EL90 | 1605230 |
| | Elbow 5 x 8" 90 Degrees Black | 5DT-EL90B | 1605230B |

| SIZE | DIM A | DIM B |
|-------------------|-------------|-------------|
| 4 x 6-5/8" | 6.5" | 6.5" |
| 5 x 8" | 7.3" | 7.3" |

OFFSET CHART

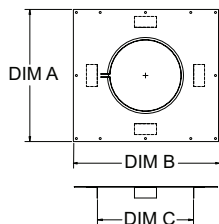
| Vent Length | 4" x 6-5/8" | | 5" x 8" | |
|----------------------|-------------|---------|---------|---------|
| | Offset | Rise | Offset | Rise |
| Two 45's Only | 4.125" | 13.5" | 5.875" | 15.5" |
| 6" | 8" | 16.125" | 9" | 19" |
| 9" | 10.25" | 18.375" | 11.25" | 20.75" |
| 12" | 12.25" | 20.375" | 13.125" | 23.125" |
| 18" | 17" | 24.625" | 17.375" | 27.25" |
| 24" | 20.25" | 29.25" | 21.625" | 31.5" |
| 36" | 29.25" | 37.5" | 30" | 40" |
| 48" | 37.75" | 46.875" | 38" | 48.625" |

NOTE: There is +/- 1" tolerance in dimensions due to production variations.
Check with appliance manufacturer's installation instructions for permissible offset(s).



Direct-Temp Supports

CEILING SUPPORT

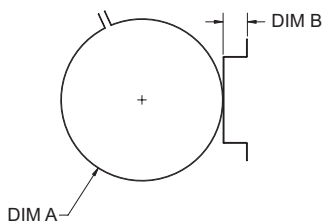


- Used as support on vertical applications when penetrating flat ceilings or floors
- Can support up to 40' of pipe

| Size | Description | Part # | Sku # |
|----------------------------|----------------------------|--------|---------|
| 4 x 6^{5/8} | Ceiling Support 4 x 6-5/8" | 4DT-CS | 1604400 |
| 5 x 8 | Ceiling Support 5 x 8" | 5DT-CS | 1605400 |

| SIZE | DIM A | DIM B | DIM C |
|-------------------|------------|------------|----------------|
| 4 x 6-5/8" | 12" | 12" | 8.73" |
| 5 x 8" | 14" | 14" | 10.125" |

WALL SUPPORT/BAND

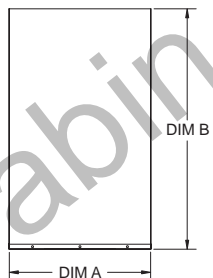


- Used as a support along the wall to provide stability and 1" clearance

| Size | Description | Part # | Sku # |
|----------------------------|------------------------------|----------|---------|
| 4 x 6^{5/8} | Wall Support/Band 4 x 6-5/8" | 4DT-WS/B | 1604430 |
| 5 x 8 | Wall Support/Band 5 x 8" | 5DT-WS/B | 1605430 |

| SIZE | DIM A | DIM B |
|-------------------|---------------|-----------|
| 4 x 6-5/8" | 6.625" | 1" |
| 5 x 8" | 8" | 1" |

CATHEDRAL CEILING SUPPORT BOX

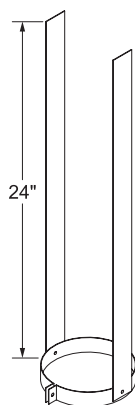
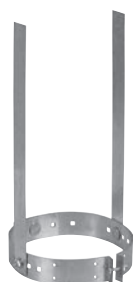


- Used to support Direct-Temp pipe when installing in a cathedral or pitched ceiling. CCS comes with Support Collar and Decorative two-piece Trim Plate
- Can support up to 40' of pipe

| Size | Description | Part # | Sku # |
|----------------------------|--|---------|----------|
| 4 x 6^{5/8} | Cathedral Ceiling Spprt. Box 4 x 6-5/8" Blk. | 4DT-CCS | 1604424B |
| 5 x 8 | Cathedral Ceiling Spprt. Box 5 x 8" Blk. | 5DT-CCS | 1605424B |

| SIZE | DIM A | DIM B |
|-------------------|----------------|------------|
| 4 x 6-5/8" | 10.625" | 14" |
| 5 x 8" | 10.625" | 14" |

OFFSET SUPPORT

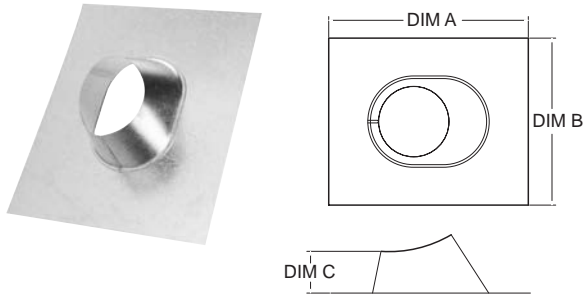


- Supports Direct-Temp pipe when using offsets or as a re-support on vertical runs that need additional support
- Use one Offset Support every 4'

| Size | Description | Part # | Sku # |
|----------------------------|---------------------------|--------|---------|
| 4 x 6^{5/8} | Offset Support 4 x 6-5/8" | 4DT-OS | 1604435 |
| 5 x 8 | Offset Support 5 x 8" | 5DT-OS | 1605435 |

Direct-Temp Flashings and Collar

ADJUSTABLE ROOF FLASHING 0/12 TO 6/12

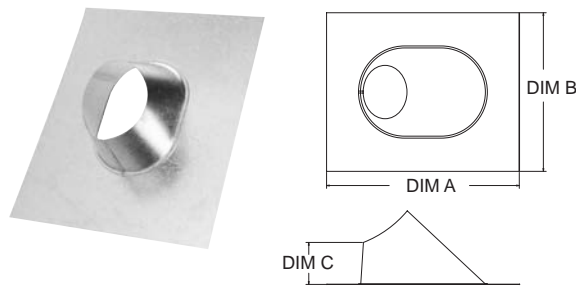


- Used to seal the opening where the Direct-Temp pipe penetrates the roof at 0/12 to 6/12 pitch

| Size | Description | Part # | Sku # |
|------------------|------------------------|---------|---------|
| 4 x 6 5/8 | 0/12 - 6/12 4 x 6-5/8" | 4DT-AF6 | 1604825 |
| 5 x 8 | 0/12 - 6/12 5 x 8" | 5DT-AF6 | 1605825 |

| SIZE | DIM A | DIM B | DIM C |
|-------------------|--------------|---------------|-----------|
| 4 x 6-5/8" | 18" | 15.25" | 4" |
| 5 x 8" | 28.5" | 24" | 4" |

ADJUSTABLE ROOF FLASHING 6/12 TO 12/12



- Used to seal the opening where the Direct-Temp pipe penetrates the roof at 6/12 to 12/12 pitch

| Size | Description | Part # | Sku # |
|------------------|-------------------------|----------|---------|
| 4 x 6 5/8 | 6/12 - 12/12 4 x 6-5/8" | 4DT-AF12 | 1604830 |
| 5 x 8 | 6/12 - 12/12 5 x 8" | 5DT-AF12 | 1605830 |

| SIZE | DIM A | DIM B | DIM C |
|-------------------|----------------|------------|-----------|
| 4 x 6-5/8" | 24.3" | 20" | 4" |
| 5 x 8" | 31.875" | 27" | 4" |

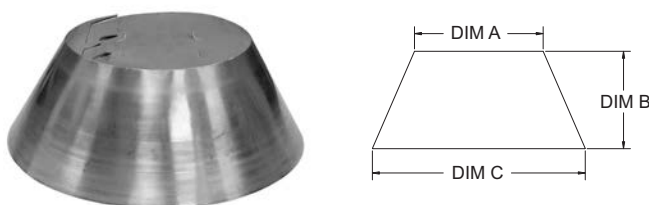
RUBBER BOOT ROOF FLASHING



- Used for installations on corrugated roofs flat to 12/12 pitch to seal where Direct-Temp pipe penetrates the roof. Kit includes: rubber boot, shield assembly, spacer channels, mounting brackets, universal storm collar, mesh screen and hardware pack.

| Size | Description | Part # | Sku # |
|------------------|------------------------------------|--------|--------|
| 4 x 6 5/8 | Universal Rubber Boot Flashing Kit | URBAK | 200275 |
| 5 x 8 | Universal Rubber Boot Flashing Kit | URBAK | 200275 |

STORM COLLAR



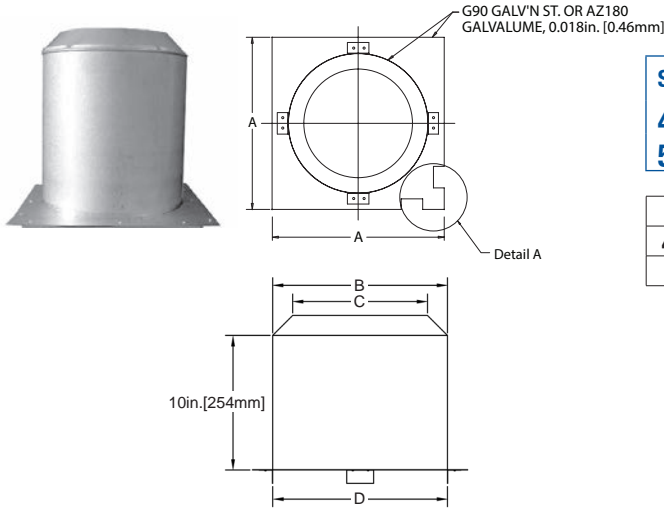
- Used with silicone sealant just above the roof flashing to provide a weather proof seal to the pipe

| Size | Description | Part # | Sku # |
|------------------|-------------------------|--------|---------|
| 4 x 6 5/8 | Storm Collar 4 x 6-5/8" | 4DT-SC | 1604810 |
| 5 x 8 | Storm Collar 5 x 8" | 5DT-SC | 1605810 |

| SIZE | DIM A | DIM B | DIM C |
|-------------------|---------------|-------------|------------|
| 4 x 6-5/8" | 6.625" | 5.5" | 11" |
| 5 x 8" | 8" | 5.5" | 15" |

Direct-Temp Shields

ATTIC INSULATION SHIELD

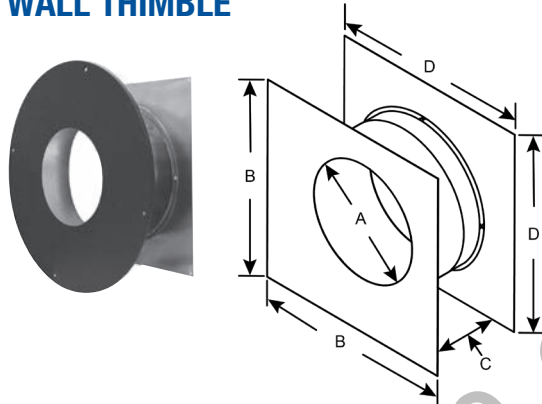


- The attic insulation shield is required to guard against the hazard of blown in or blanket insulation occupying the required 1" airspace around the vent

| Size | Description | Part # | SKU # |
|----------------------------|------------------------------------|---------|---------|
| 4 x 6^{5/8} | Attic Insulation Shield 4 x 6-5/8" | 4DT-AIS | 1604490 |
| 5 x 8 | Attic Insulation Shield 5 x 8" | 5DT-AIS | 1605490 |

| SIZE | DIM A | DIM B | DIM C | DIM D |
|-------------------|----------------|----------------|---------------|----------------|
| 4 x 6-5/8" | 10.75" | 8.75" | 6.75" | 8.75" |
| 5 x 8" | 12.125" | 10.125" | 8.125" | 10.125" |

WALL THIMBLE

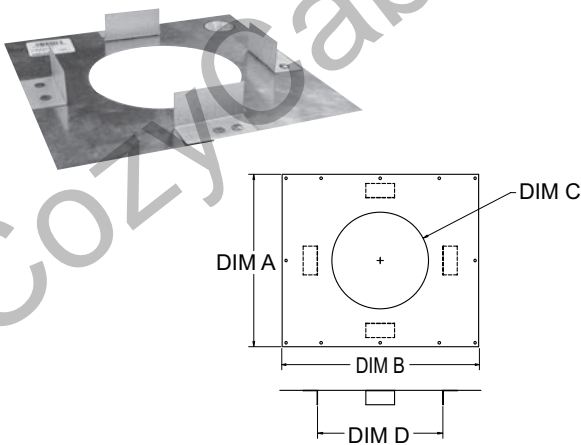


- Two-piece wall thimble easily slides together for installation on varying wall thicknesses. Serves a dual purpose as both a heat shield and firestop
- Black Trim Plate available separately – Round or Square. See below

| Size | Description | Part # | SKU # |
|----------------------------|-------------------------|----------|---------|
| 4 x 6^{5/8} | Wall Thimble 4 x 6-5/8" | 4DT-WT-1 | 1604461 |
| 5 x 8 | Wall Thimble 5 x 8" | 5DT-WT-1 | 1605461 |

| SIZE | DIM A | DIM B | MIN-MAX C | DIM D |
|-------------------|---------------|---------------|---------------------|--------------|
| 4 x 6-5/8" | 6.875" | 9.125" | 4.75" – 8.5" | 13" |
| 5 x 8" | 8.25" | 12.5" | 6" – 11" | 12.5" |

FIRESTOP SPACER



- Required when penetrating combustible materials. Refer to our installation instructions for specific requirements

| Size | Description | Part # | SKU # |
|----------------------------|----------------------------|--------|---------|
| 4 x 6^{5/8} | Firestop Spacer 4 x 6-5/8" | 4DT-FS | 1604500 |
| 5 x 8 | Firestop Spacer 5 x 8" | 5DT-FS | 1605500 |

| SIZE | DIM A | DIM B | DIM C | DIM D |
|-------------------|------------|------------|---------------|----------------|
| 4 x 6-5/8" | 12" | 12" | 6.72" | 8.73" |
| 5 x 8" | 14" | 14" | 8.125" | 10.125" |

Direct-Temp Adapters

APPLIANCE ADAPTER

- 4DT-AA Appliance Adapter can be used to ensure secure connection to twist-lock type appliance outlet collars



4DT-AA Appliance Adapter

4DT-AAV Vermont Castings Adapter

| Size | Description | Part # | SKU # | Dim A |
|-----------|--|---------------|----------|----------|
| 4 x 6 5/8 | Appliance Adapter 4 x 6-5/8" Black | 4DT-AA | 1604245B | 4" |
| | Vermont Castings Adapter 4 x 6-5/8" Black | 4DT-AAV | 1604246B | 13-5/16" |
| | Appliance Adapter Universal/Napoleon 4 x 7" Black* | 4DT-AA47(AAN) | 1604247B | 6" |
| 5 x 8 | Appliance Adapter 5 x 8" | 5DT-AA | 1605247 | 4" |
| | Napoleon Fireplace Adapter | 5DT-AAN | 1605247 | 5-3/8" |

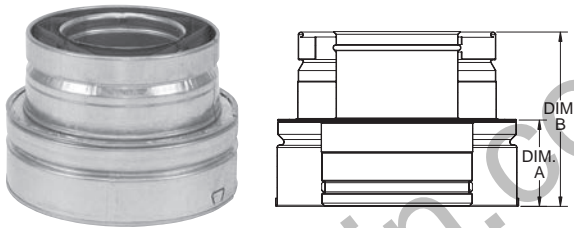
*For all direct vent appliances with 4" x 7" outlet, including Napoleon.

NOTE: - The Appliance Adapter is not required in every application.

- DIRECT-TEMP WILL SLIDE DIRECTLY ON TO MOST DIRECT VENT APPLIANCE OUTLETS

5 X 8 TO 4 X 6-5/8 REDUCER

- Our Direct-Temp® direct vent reducer allows you to adapt 5 x 8" Direct-Temp pipe diameter to the 4 x 6-5/8" pipe diameter for vertical run applications when permitted by appliance manufacturer



| Size | Description | Part # | SKU # |
|-------|--------------------------------------|--------|---------|
| 5 x 8 | 5 x 8" to 4 x 6-5/8" DT Pipe Reducer | 5DT-R4 | 1605364 |

| SIZE | DIM A | DIM B |
|--------|-------|-------|
| 5 x 8" | 2.88" | 5.75" |

DIRECT VENT TO DIRECT TEMP & DIRECT TEMP TO DIRECT VENT ADAPTERS

- Adapters to use 4" & 5" Selkirk Direct Temp with the 4" & 5" Amerivent Direct Vent product line
- Adapters to use 4" & 5" Amerivent Direct Temp with the 4" & 5" Selkirk Direct Vent product line



| Description | Part # | Height |
|------------------------|---------|--------|
| 4" AMP DV to 4" SLK DT | 1604280 | 6" |
| 5" AMP DV to 5" SLK DT | 1605280 | 6" |
| 4" SLK DT to 4" AMP DV | 1604281 | 6" |
| 5" SLK DT to 5" AMP DV | 1605281 | 6" |

Miscellaneous

BLACK TOUCH-UP PAINT



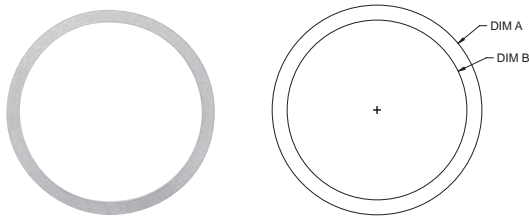
- Forrest 1A54D206 is the recommended touch-up paint.

Part #

AVD-PTU

Direct-Temp Accessories

RESTRICTION DISK

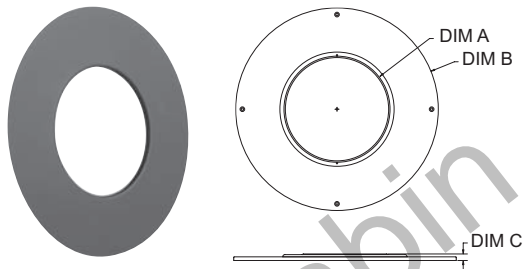


- Use in accordance with appliance manufacturer's instructions only

| Size | Description | Part # | Sku # |
|-------------------|-----------------------------|--------|---------|
| 4 x 6 5/8" | Restriction Disk 4 x 6-5/8" | 4DT-RD | 1604285 |

| SIZE | DIM A | DIM B |
|-------------------|--------------|-------------|
| 4 x 6-5/8" | 5.25" | 4.5" |

ROUND TRIM PLATE

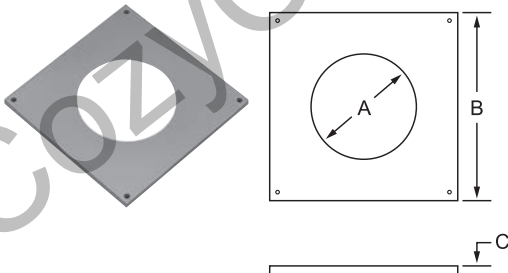


- Used to provide a finished look at the ceiling or wall for vertical or horizontal installations

| Size | Description | Part # | Sku # |
|-------------------|-----------------------------------|---------|----------|
| 4 x 6 5/8" | Round Trim Plate 4 x 6-5/8" Black | 4DT-TPR | 1604502B |
| 5 x 8" | Round Trim Plate 5 x 8" Black | 5DT-TPR | 1605502B |

| SIZE | DIM A | DIM B | DIM C |
|-------------------|---------------|------------|--------------|
| 4 x 6-5/8" | 6.875" | 14" | .25" |
| 5 x 8" | 8.25" | 19" | .312" |

SQUARE TRIM PLATE

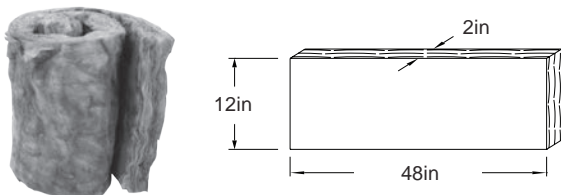


- Used to provide a finished look at the ceiling or wall for vertical or horizontal installations

| Size | Description | Part # | Sku # |
|-------------------|-------------------------|---------|----------|
| 4 x 6 5/8" | Square Trim Plate Black | 4DT-TPS | 1604503B |
| 5 x 8" | Square Trim Plate Black | 5DT-TPS | 1605503B |

| SIZE | DIM A | DIM B | DIM C |
|-------------------|---------------|------------|-------------|
| 4 x 6-5/8" | 6.875" | 12" | .54" |
| 5 x 8" | 8.25" | 14" | .54" |

SUSI (SELKIRK UNIVERSAL SHIELDING INSULATION)

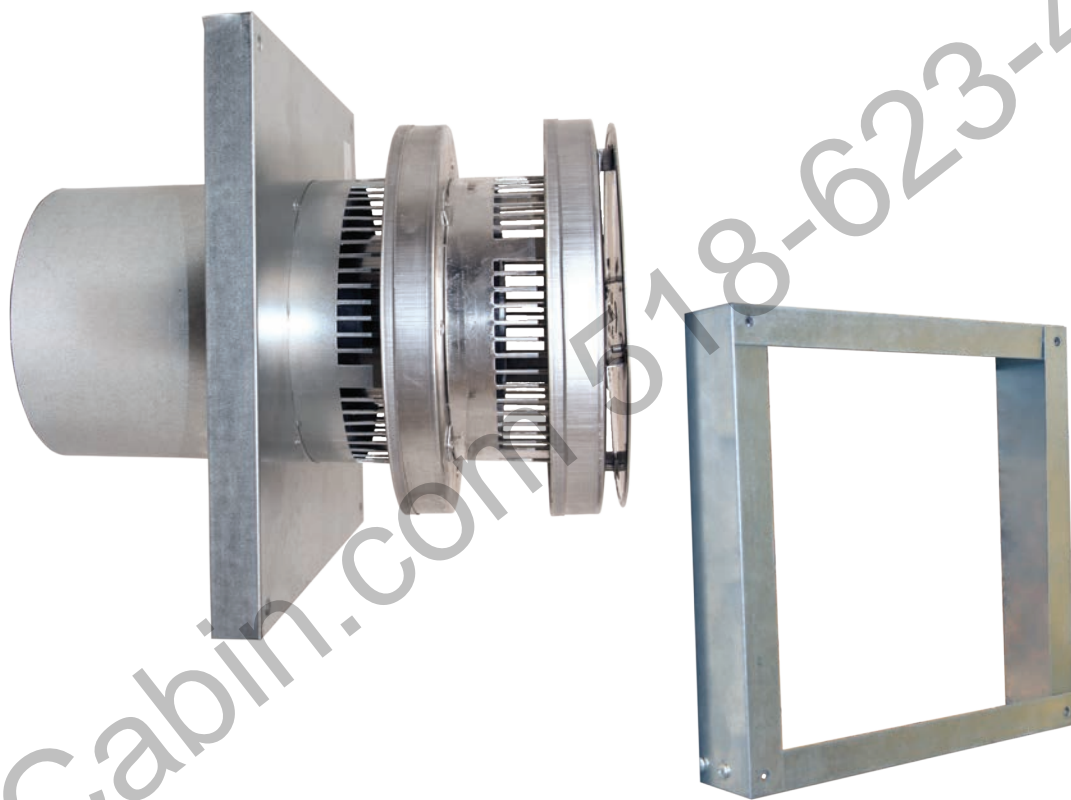


- Optional insulation for use with the Cathedral Ceiling Support Box, Attic Insulation Shield and Wall Thimble. The SUSI protects building materials against radiant heat from the vent and helps maintain temperatures within the vent system. The SUSI also reduces air infiltration into the dwelling.

Part # **Sku #**

SUSI 200001

Gas Accessories



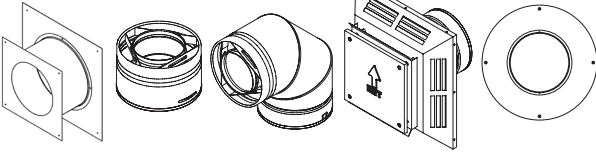
CozyCabin.com 518-623-4349

Direct-Temp Termination Kits

TERMINATION KITS

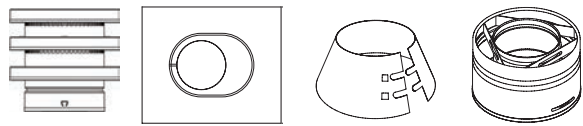
Horizontal Termination Kit "A" Includes:

90° Elbow, Wall Thimble, Horizontal Termination, Black Round Trim Plate, and Appliance Adapter



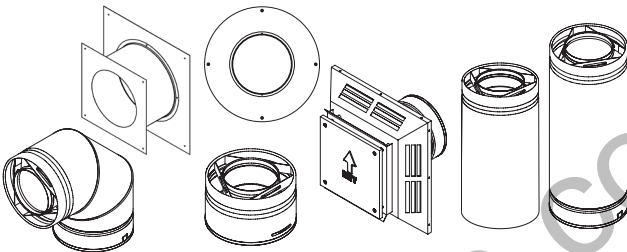
Vertical Termination Kit Includes:

Adjustable Flashing 0/12-6/12, Appliance Adapter, Storm Collar, and Vertical Termination



Horizontal Termination Kit "B" Includes:

90° Elbow, Wall Thimble, Horizontal Termination, Appliance Adapter, 24" Pipe, Black Round Trim Plate, and Adjustable Length Pipe (4"-10")



| Size | Description | Part # | SKU # |
|-----------|--------------------------------|---------|---------|
| 4 x 6 5/8 | Vertical Termination Kit | 4DT-VKC | 1604620 |
| | Horizontal Termination Kit "A" | 4DT-HKA | 1604621 |
| | Horizontal Termination Kit "B" | 4DT-HKB | 1604622 |



CHIMNEY CONVERSION KITS (USA ONLY)

| Size | Description | Part # | SKU # |
|-----------|--|----------|---------|
| 4 x 6 5/8 | Masonry Chimney Conversion Kit | 4DT-MCK | 1604630 |
| | CHIM. CONV. KIT A (for 6" ID / 8" OD Class A Chimney) | 4DT-CCKA | 1604631 |
| | CHIM. CONV. KIT B (for 8" ID / 10" OD Class A Chimney) | 4DT-CCKB | 1604635 |



Masonry Chimney Conversion Kit
Connect to a masonry chimney using Selkirk aluminum Flexi-Liner (sold separately)



Chimney Conversion Kit
Connect to a 6" I.D. or 8" I.D. Class A chimney using Selkirk aluminum Flexi-Liner (sold separately)

Masonry Chimney Conversion Kit Includes:

Chimney Inlet Adapter, Chimney Outlet Adapter, and Flashing

Chimney Conversion Kit "A" Includes:

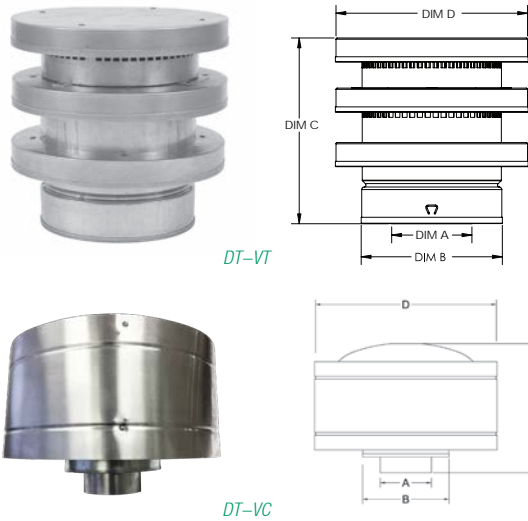
6" Chimney Inlet Connector, 6" Chimney Outlet Connector, and screw pack

Chimney Conversion Kit "B" Includes:

8" Chimney Inlet Connector, 8" Chimney Outlet Connector, and screw pack

Direct-Temp Termination Caps

VERTICAL TERMINATION



- Used as end cap for vertical applications only

| Size | Description | Part # | SKU # |
|------------|-----------------------------------|--------|---------|
| 4 x 6 5/8" | Vertical Termination 4 x 6-5/8" | 4DT-VT | 1604800 |
| 5 x 8" | Vertical Termination 5 x 8" | 5DT-VT | 1605800 |
| 4 x 6 5/8" | High Wind Vertical Cap 4 x 6-5/8" | 4DT-VC | 1604802 |
| 5 x 8" | High Wind Vertical Cap 5 x 8" | 5DT-VC | 1605802 |

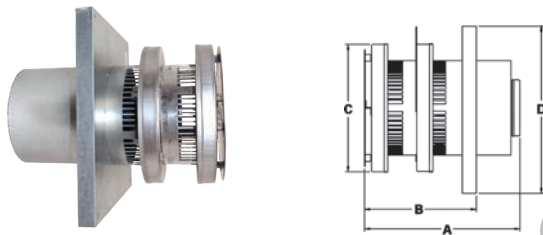
DT-VT

| SIZE | DIM A | DIM B | DIM C | DIM D |
|------------|-------|--------|-------|-------|
| 4 x 6-5/8" | 4" | 6.625" | 10" | 12" |
| 5 x 8" | 5" | 8" | 10" | 12" |

DT-VC

| SIZE | DIM A | DIM B | DIM C | DIM D |
|------------|-------|--------|-------|-------|
| 4 x 6-5/8" | 4" | 6.625" | 10" | 12" |
| 5 x 8" | 5" | 8" | 10" | 12" |

ROUND HORIZONTAL CAP

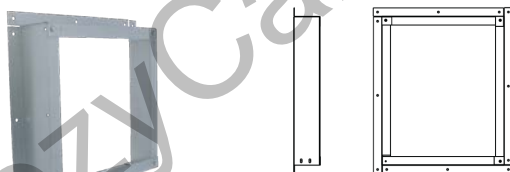


- For horizontal venting applications
- Corrosion-resistant construction with stainless steel inner wall
- Low-restriction design improves efficiency and minimizes wall temperature

| Size | Description | Part # | SKU # |
|------------|---------------------------------|---------|---------|
| 4 x 6 5/8" | Round Horizontal Cap 4 x 6-5/8" | 4DT-HCR | 2003949 |
| 5 x 8" | Round Horizontal Cap 5 x 8" | 5DT-HCR | 2003950 |

| SIZE | DIM A | DIM B | DIM C | DIM D |
|------------|-------|-------|--------|--------|
| 4 x 6-5/8" | 11" | 8" | 9.125" | 12" |
| 5 x 8" | 13" | 8.5" | 11" | 17.25" |

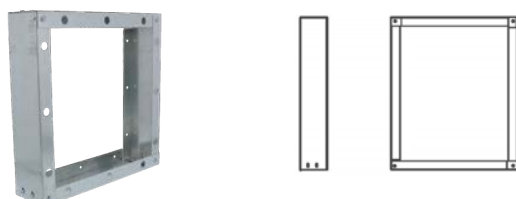
VINYL SIDING STANDOFF FOR ROUND HORIZONTAL CAP (BEFORE VINYL SIDING IS INSTALLED)



- Required for vinyl siding applications
- DT-VSK for use before vinyl siding is installed
- Assembly required
- Provides 3" extension from wall

| Size | Description | Part # | SKU # |
|------------|--|---------|---------|
| 4 x 6 5/8" | Vinyl Siding Standoff - Before Installed | 4DT-VSK | 2003503 |
| 5 x 8" | Vinyl Siding Standoff - Before Installed | 5DT-VSK | 2003504 |

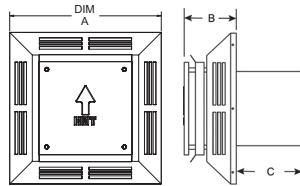
VINYL SIDING STANDOFF FOR ROUND HORIZONTAL CAP (AFTER VINYL SIDING IS INSTALLED)



- Required for vinyl siding applications
- DT-VSKB for use after vinyl siding is installed
- Assembly required
- Provides 3" extension from wall

| Size | Description | Part # | SKU # |
|------------|---|----------|---------|
| 4 x 6 5/8" | Vinyl Siding Standoff - After Installed | 4DT-VSKB | 2006469 |
| 5 x 8" | Vinyl Siding Standoff - After Installed | 5DT-VSKB | 2006470 |

ADJUSTABLE SQUARE HORIZONTAL CAP

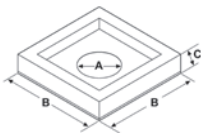


- For horizontal venting applications
- New design provides installer an additional 5" of flexibility
- Now even simpler to connect the venting system to the termination
- No need to be exact in the length of your horizontal run
- Sleek, low profile design
- Supplied with insulation pad

| Size | Description | Part # | Sku # |
|----------------------------|-----------------------------------|---------|---------|
| 4 x 6^{5/8} | Horizontal Termination 4 x 6-5/8" | 4DT-AHC | 1604807 |
| 5 x 8 | Horizontal Termination 5 x 8" | 5DT-AHC | 1605807 |

| SIZE | DIM A | DIM B | DIM C |
|-------------------|--------------|-----------|-----------|
| 4 x 6.625" | 13.5" | 7" | 8" |
| 5 x 8" | 16" | 7" | 8" |

LOW PROFILE SIDING SHIELD – SQUARE TERMINATIONS

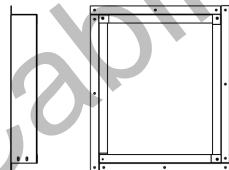


- DT-VS used with metal siding, brick or masonry finished surfaces

| Size | Description | Part # | Sku # |
|----------------------------|------------------------------------|--------|---------|
| 4 x 6^{5/8} | Low Profile Siding Shield - Square | 4DT-VS | 1604806 |
| 5 x 8 | Low Profile Siding Shield - Square | 5DT-VS | 1605806 |

| SIZE | DIM A | DIM B | DIM C |
|-------------------|---------------|--------------|-----------|
| 4 x 6.625" | 6.825" | 17.4" | 2" |
| 5 x 8" | 8.25" | 19.8" | 2" |

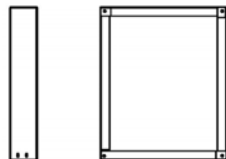
VINYL SIDING STANDOFF FOR SQUARE HORIZONTAL CAP (BEFORE VINYL SIDING IS INSTALLED)



- Required for vinyl siding applications
- DT-VSS for use before vinyl siding is installed
- Assembly required
- Provides 3" extension from wall

| Size | Description | Part # | Sku # |
|----------------------------|--|---------|---------|
| 4 x 6^{5/8} | Square Vinyl Siding Standoffs - Before Installed | 4DT-VSS | 2004818 |
| 5 x 8 | Square Vinyl Siding Standoffs - Before Installed | 5DT-VSS | 2004819 |

SQUARE VINYL SIDING STANDOFFS – AFTER VINYL SIDING INSTALLED (AFTER VINYL SIDING IS INSTALLED)

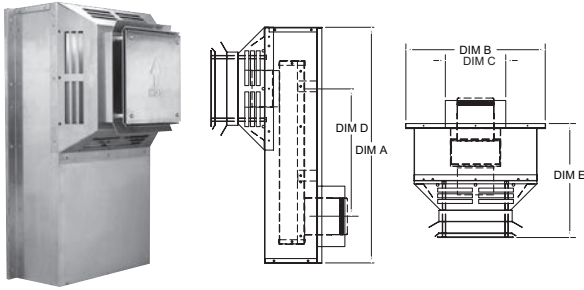


- Required for vinyl siding applications
- DT-VSSB for use after vinyl siding is installed
- Assembly required
- Provides 3" extension from wall

| Size | Description | Part # | Sku # |
|----------------------------|---|----------|---------|
| 4 x 6^{5/8} | Square Vinyl Siding Standoffs - After Installed | 4DT-VSSB | 2006471 |
| 5 x 8 | Square Vinyl Siding Standoffs - After Installed | 5DT-VSSB | 2006472 |

Direct-Temp Termination Caps *continued*

SNORKEL TERMINATION



- Use when horizontal termination is too close to grade or additional height is needed

| Size | Description | Part # | SKU # |
|------------------|---|----------|---------|
| 4 x 6 5/8 | 14" Rise Snorkel Termination 4 x 6-5/8" | 4DT-ST14 | 1604836 |
| | 36" Rise Snorkel Termination 4 x 6-5/8" | 4DT-ST36 | 1604838 |
| 5 x 8 | 14" Rise Snorkel Termination 5 x 8" | 5DT-ST14 | 1605836 |
| | 36" Rise Snorkel Termination 5 x 8" | 5DT-ST36 | 1605838 |

4 x 6 5/8

| SNORKEL SIZE | DIM A | DIM B | DIM C | DIM D | DIM E |
|--------------|-------|--------|-------|-------|--------|
| 14" | 26" | 15.25" | 6.63" | 14" | 13.25" |
| 36" | 48" | 15.25" | 6.63" | 36" | 13.25" |

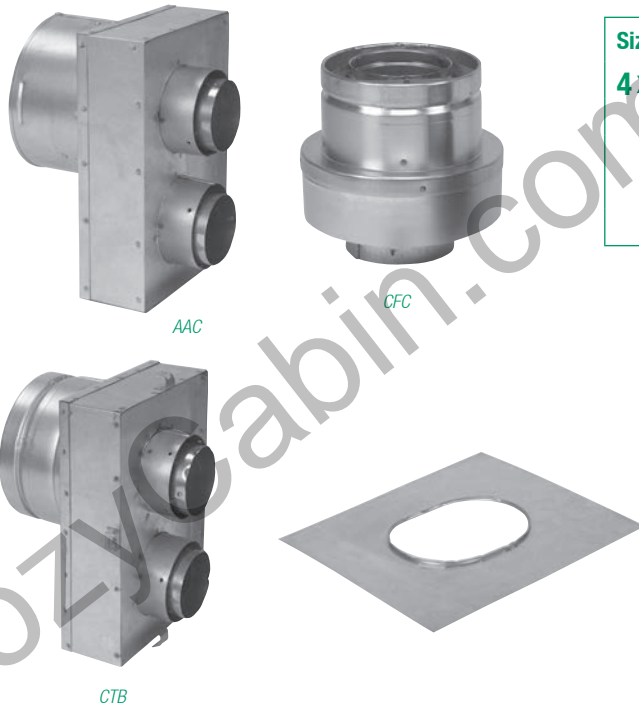
5 x 8

| SNORKEL SIZE | DIM A | DIM B | DIM C | DIM D | DIM E |
|--------------|--------|--------|-------|-------|--------|
| 14" | 27.55" | 17.81" | 8.04" | 14" | 13.25" |
| 36" | 49.55" | 17.81" | 8.04" | 36" | 13.25" |

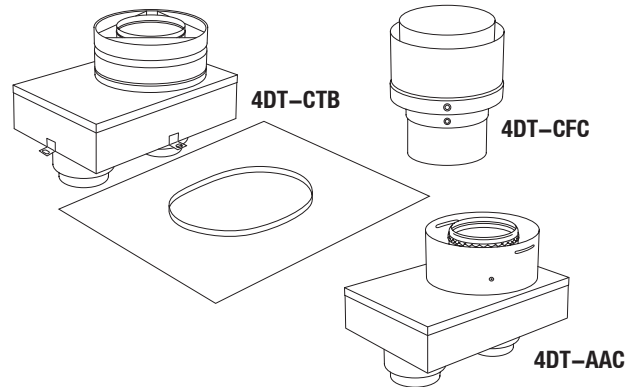
Direct-Temp Adapters

CO-LINEARS – PARTS AND ADAPTERS

- Use with Selkirk 3" aluminum Flexi-Liner or equivalent.

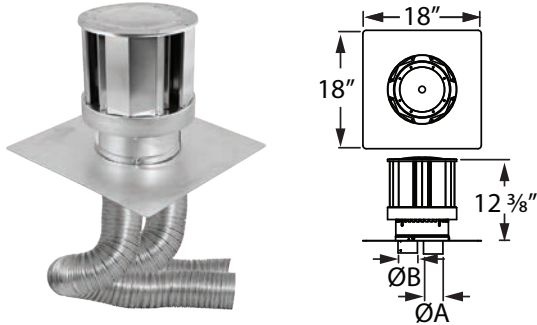


| Size | Description | Part # | SKU # |
|------------------|---|----------|---------|
| 4 x 6 5/8 | Co-Linear Termination Box with Baseplate | 4DT-CTB | 1604650 |
| | Co-Linear Appl. Adapter-Standard | 4DT-AAC | 1604655 |
| | Co-Linear Appl. Adapter-Vermont Castings | 4DT-AACV | 1604656 |
| | Co-Linear Appl. Adapter-Travis Industries | 4DT-AACT | 1604657 |
| | Co-Linear Flex Connector | 4DT-CFC | 1604085 |



NEW

CO-LINEAR INSERT KITS

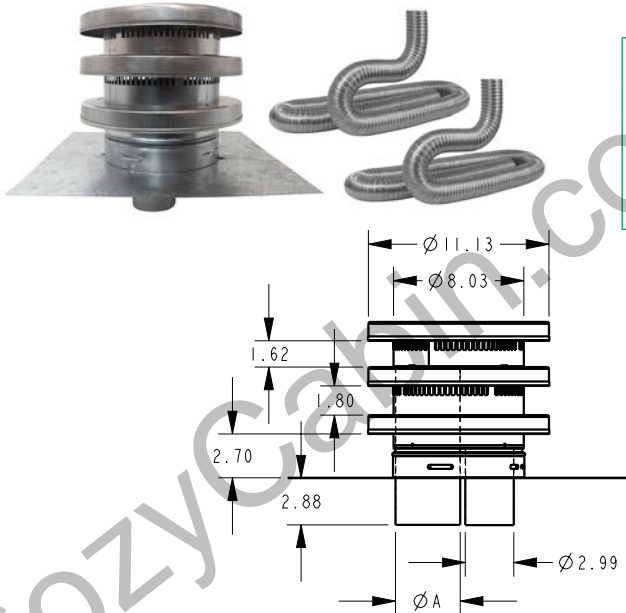


- Use when installing a direct vent co-linear gas insert into a masonry chimney
- Easy installation saves time and labor costs
- Kit Includes:
 - High Wind Termination Cap with 18" x 18" base plate
 - Two 35 foot Aluminum Flexible Liner Lengths
 - Exhaust identified with red tape at both ends
 - Clamps
 - Hardware Pack

| Size | Description | Part # | SKU # | Dim A |
|-------|--------------------------|--------------|---------|-------|
| 3 / 3 | 35' Co-linear Insert Kit | 4DT-33IK35VB | 1604633 | 3" |
| 3 / 4 | 35' Co-linear Insert Kit | 4DT-34IK35VB | 1604634 | 4" |

NOTE: High Wind Cap only available with the new Co-Linear Insert Kit.

INTEGRATED CO-LINEAR CAP AND KIT



- No adapter required
- 16" x 16" flashing base
- Integrated air intake/exhaust connections

| Size | Description | Part # | SKU # | Dim A |
|-------|-----------------------------|------------|---------|-------|
| 3 / 3 | 3" Co-linear Cap | 4DT-CC33 | 1604643 | 3" |
| 3 / 4 | 4" Co-linear Cap | 4DT-CC43 | 1604644 | 4" |
| 3 / 3 | 3" Co-linear 35' Liner Kit* | 4DT-33IK35 | 1604645 | 3" |
| 3 / 4 | 4" Co-linear 35' Liner Kit* | 4DT-34IK35 | 1604646 | 4" |

*Co-linear kits includes co-linear cap and 35' Flexi-Liner aluminum liner

Pellet Accessories



CozyCozy 1-8-623-4349

PELLET VENT COMPONENTS

PELLET STOVE ADAPTERS



4DT-VPSA

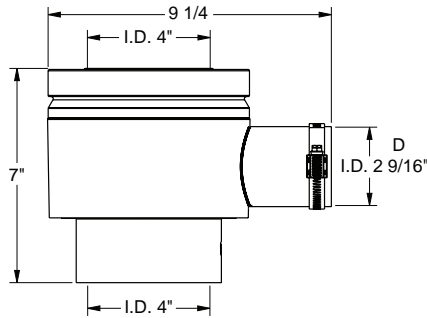
| Description | Part # | Sku # | A | B | C | D |
|--------------------------------------|------------|---------|-------|--------|-------|-----------|
| VP Pellet Stove Adapter | 4DT-VPSA | 1604248 | 6.59" | 6.125" | 4.54" | 2.75" |
| VP Pellet Stove Adapter Low Profile | 4DT-VPSAL | 1604249 | 6.59" | 5.5" | 4" | 2.6" I.D. |
| UPP Pellet Stove Adapter | 4UPP-DTA | 824037 | 6.57" | 7.75" | 4.75" | N/A |
| UPP Pellet Stove Adapter-Black | 4UPP-DTAB | 824037B | 6.57" | 7.75" | 4.75" | N/A |
| UPP Pellet Stove Adapter Low Profile | 4DT-UPPSAL | 1604840 | 9.25" | 7" | 4" | 2.625" |

| DIM A | DIM B | DIM C | DIM D |
|-------|--------|-------|-------|
| 6.59" | 6.125" | 4.54" | 2.75" |

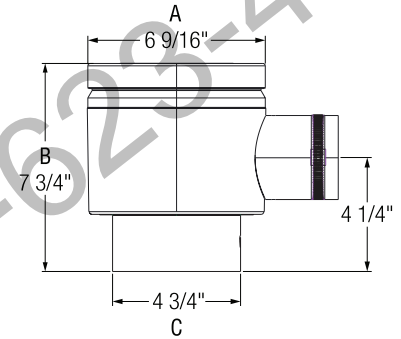
NOTE: Allows pellet stove to connect to Direct Temp



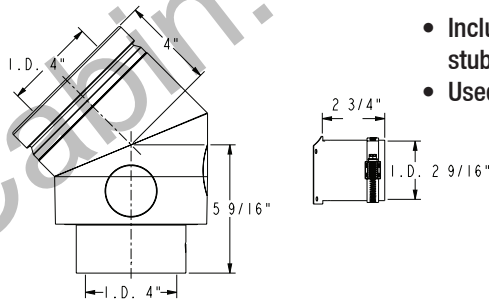
4DT-UPPSAL



4UPP-DTA



45° PELLET STOVE ADAPTER

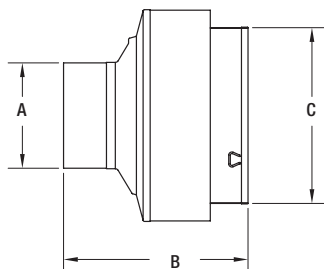


| Description | Part # | Sku # |
|------------------------------------|-------------|---------|
| VP Pellet Stove Adapter 45 Degree | 4DT-VPSA45 | 1604250 |
| UPP Pellet Stove Adapter 45 Degree | 4DT-UPPSA45 | 1604841 |

NOTE: Allows pellet stove to connect to Direct Temp

- Includes 3 knock-out locations for flexibility when connecting stub for combustion air kit
- Used for appliances in corner installations

PELLET STOVE TERMINATION ADAPTER



| Description | Part # | Sku # |
|--|----------|---------|
| Direct Vent Pellet Termination Adapter | 4DT-VPTA | 1604805 |

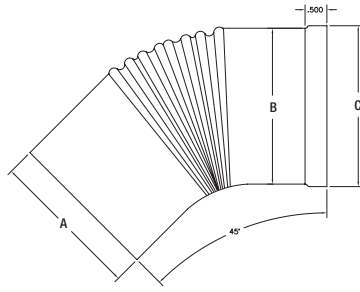
| DIM A | DIM B | DIM C |
|-------|-------|-------|
| 4" | 7" | 6.67" |

NOTE: Use in conjunction with horizontal Exit Cap (4VP-EC), Decorative Cone Cap (4DT-DCC) or Vertical Termination (4VP-VC)

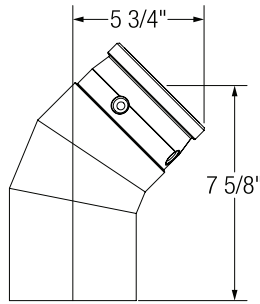
45° HORIZONTAL TERMINATION ELBOW



VP



UPP



| Description | Part # | SKU # |
|--|-----------|---------|
| VP 45° Horizontal Termination Elbow* | 4DT-VPTE | 1604214 |
| UPP 45° Horizontal Termination Elbow** | 4UPP-45E | 824008 |
| UPP 45° Horizontal Termination Elbow Black** | 4UPP-45EB | 824008B |

| DIM A | DIM B | DIM C |
|--------|-------|-------|
| 3.915" | 4.03" | 4.16" |

***NOTE:** Use in conjunction with Exit Cap (4VP-EC) or Decorative Cone Cap (4DT-DCC) to direct horizontal exhaust directionally

****NOTE:** Use in conjunction with Screen Cap (4UPP-45T)

DECORATIVE CONE CAP



| Description | Part # | SKU # |
|------------------------|---------|---------|
| VP Decorative Cone Cap | 4DT-DCC | 1604803 |

316 Stainless Steel

COMBUSTION AIR KIT

To direct combustion air from 4DT-VPSA to pellet stove incoming air inlet.



| Description | Part # | SKU # |
|--------------------|---------|---------|
| Combustion Air Kit | 4DT-CAK | 1604614 |

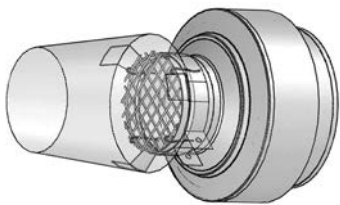
KIT INCLUDES:

- One hose clamp...adjusts from 1-1/2" to 3-1/2" to fit all pellet stoves
- 3 feet of 3" ID aluminum flex pipe

OUTLET SCREEN

Attaches inside 4DT-DCC or 4VP-EC to prevent animals, birds and debris from entering horizontal vent.

| Description | Part # | Sku # |
|------------------|----------|---------|
| VP Outlet Screen | 4DT-VPOS | 1604790 |

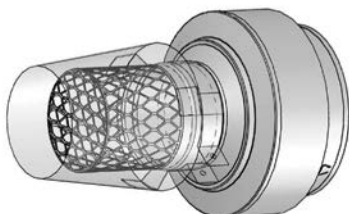


4DT-VPOS Outlet Screen installed

SPARK SCREEN

Attaches inside 4DT-DCC to reduce sparks and to prevent animals, birds and debris from entering. Easily removed for cleaning.

| Description | Part # | Sku # |
|-----------------|----------|---------|
| VP Spark Screen | 4DT-VPSS | 1604791 |

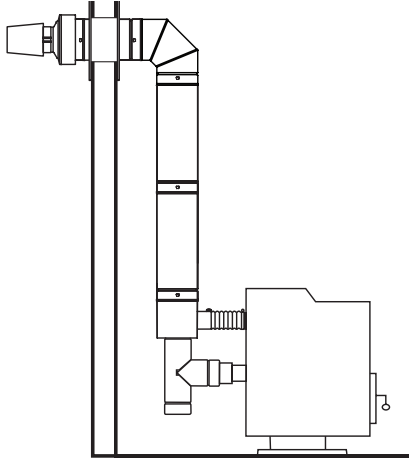


4DT-VPSS Spark Screen installed

VP PELLET TERMINATION KITS

VP Pellet Pipe common termination kits. Pipe lengths not included.

UP & OUT HORIZONTAL TERMINATION KIT*



KIT INCLUDES:

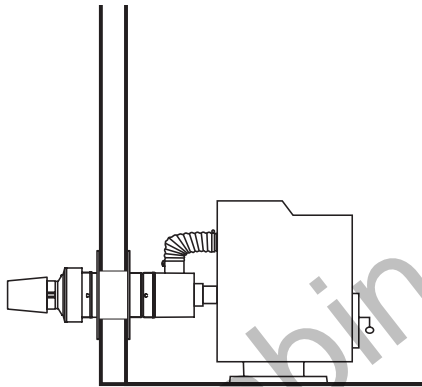
- One 3" Pipe Connector, 3VP-PC
- One 3" to 4" Increaser, 3VP-I4
- One 4" Tee with Cap, 4VP-TS
- One Pellet Stove Adapter, 4DT-VP5A
- One Wall Thimble, 4DT-WT
- One 90° Elbow, 4DT-EL90SB

- One Pellet Stove Termination Adapter, 4DT-VP7A
- One Decorative Cone Cap, 4DT-DCC
- One Combustion Air Kit, 4DT-CAK
- One Black Round Trim Plate, 4DT-TPR

| Description | Part # | SKU # |
|--|-----------|---------|
| Up and Out Horizontal Termination Kit* | 4DT-VP8KB | 1604680 |

*Kit includes everything but Direct-Temp pipe lengths.

STRAIGHT OUT HORIZONTAL TERMINATION KIT*



KIT INCLUDES:

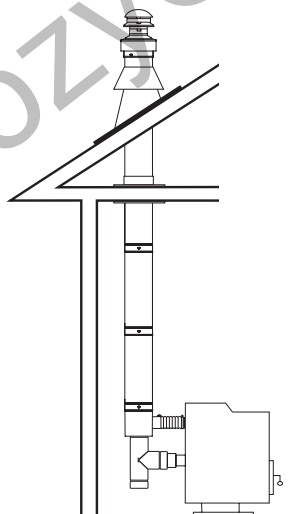
- One 3" Pipe Connector, 3VP-PC
- One 3" to 4" Increaser, 3VP-I4
- One Pellet Stove Adapter, 4DT-VP5A
- One Wall Thimble, 4DT-WT
- One Pellet Stove Termination Adapter, 4DT-VP7A

- One Decorative Cone Cap, 4DT-DCC
- One Combustion Air Kit, 4DT-CAK
- One Black Round Trim Plate, 4DT-TPR

| Description | Part # | SKU # |
|--|-----------|---------|
| Straight Out Horizontal Termination Kit* | 4DT-VP8KA | 1604682 |

*Kit includes everything but Direct-Temp pipe lengths.

THROUGH-THE-ROOF VERTICAL TERMINATION KIT*



KIT INCLUDES:

- One 3" Pipe Connector, 3VP-PC
- One 3" to 4" Increaser, 3VP-I4
- One 4" Tee with Cap, 4VP-TS
- One Pellet Stove Adapter, 4DT-VP5A
- One Ceiling Support, 4DT-CS
- One Trim Plate, 4DT-TPR
- One Roof Flashing, 4DT-AF6
- One Storm Collar, 4DT-SC

- One Pellet Stove Termination Adapter, 4DT-VP7A
- One Vertical Cap, 4VP-VC
- One Combustion Air Kit, 4DT-CAK

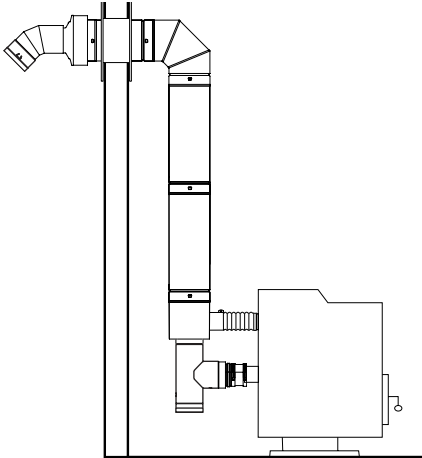
| Description | Part # | SKU # |
|--|----------|---------|
| Through-the-Roof Vertical Termination Kit* | 4DT-VPVK | 1604681 |

*Kit includes everything but Direct-Temp pipe lengths.

UPP PELLET TERMINATION KITS

Ultimate Pellet Pipe common termination kits. Pipe lengths not included.

UP & OUT HORIZONTAL TERMINATION KIT*



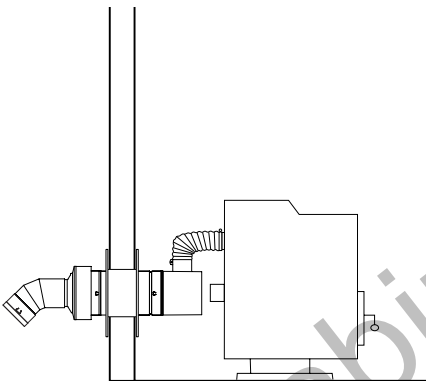
KIT INCLUDES:

- One 4UPP-DTA Pellet Adapter
- One 4DT-CAK Combustion Air Kit
- One 4DT-WT Wall Thimble
- One 4DT-VPTA –Termination Adapter
- One 4DT-EL90 – 90 Degree Elbow
- One 3UPP-ITB In increaser Tee and Cap (3" to 4")
- One 3UPP-AA – UPP Appliance Adapter (3")
- One 4UPP-45E – Pellet Elbow
- One 4UPP-45T – Pellet Horizontal Termination Screen
- One Black Round Trim Plate, 4DT-TPR

| Description | Part # | Sku # |
|--|------------|--------|
| Up and Out Horizontal Termination Kit* | 4DT-UPPHKB | 824053 |

*Kit includes everything but Direct–Temp pipe lengths.

STRAIGHT OUT HORIZONTAL TERMINATION KIT*



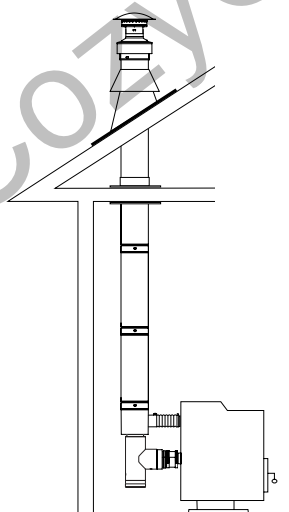
KIT INCLUDES:

- One 4DT-CAK Combustion Air Kit
- One 4DT-WT Wall Thimble
- One 4DT-VPTA Termination Adapter
- One 3UPP-I4 3-4" In increaser
- One 4UPP-DTA Direct Temp Adapter
- One 3UPP-AA Pellet Appliance Adapter
- One 4UPP-AA Pellet Appliance Adapter
- One 4UPP-45E – Pellet Elbow
- One 4UPP-45T – Pellet Horizontal Termination Screen
- One Black Round Trim Plate, 4DT-TPR

| Description | Part # | Sku # |
|--|------------|--------|
| Straight Out Horizontal Termination Kit* | 4DT-UPPHKA | 824051 |

*Kit includes everything but Direct–Temp pipe lengths.

THROUGH-THE-ROOF VERTICAL TERMINATION KIT*



KIT INCLUDES:

- One 4UPP-DTA Pellet Adapter
- One 4DT-TPR Trim Plate
- One 4DT-CAK Combustion Air Kit
- One 4DT-SC Storm Collar
- One 4UPP-VC Vertical Termination Cap
- One 4DT-CS Ceiling Support
- One 4DT-VPTA Termination Adapter
- One 4DT-AF6 Adjustable Flashing (0/12 to 6/12)
- One 3UPP-AA UPP Appliance Adapter (3")
- One 3UPP-ITB In increaser Tee and Cap

| Description | Part # | Sku # |
|--|-----------|--------|
| Through-the-Roof Vertical Termination Kit* | 4DT-UPPVK | 824052 |

*Kit includes everything but Direct–Temp pipe lengths.

Multi-Fuel System



CozyCabin.com 513-623-4349



Direct-Temp / Multi-Fuel (DT-M) Appliance Venting Solution

Direct-Temp / Multi-Fuel (DT-M) is a unique venting system designed to address the problem of highly corrosive flue gases produced by burning corn or other bio-fuels.

- Converts any conventional corn-burning or multi-fuel stove into a Direct Vent system.
- DT-M 3 x 5 and 4 x 7 systems easily connect to 3" or 4" flue outlets.
- Strong positive seal that's able to handle both positive and negative pressure direct venting applications.
- Laser-welded, double-wall system made from the toughest alloys.
- Concentric design eliminates the need for two separate penetrations.

Bio-Fuel Alternatives

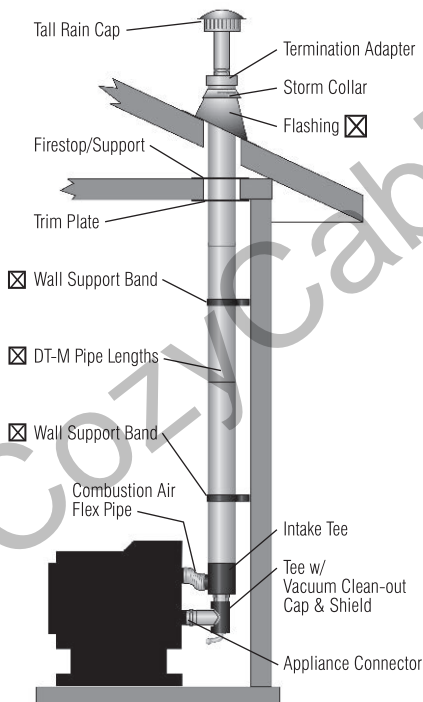
- | | | |
|----------------|------------------------|-----------------------|
| • Corn | • Olive pits | • Processed silage |
| • Hulled wheat | • Cherry pits | • Grass Pellets |
| • Soy beans | • Bio-mass fuel grains | • Waste paper pellets |

Direct-Temp / Multi-Fuel (DT-M) Specifications

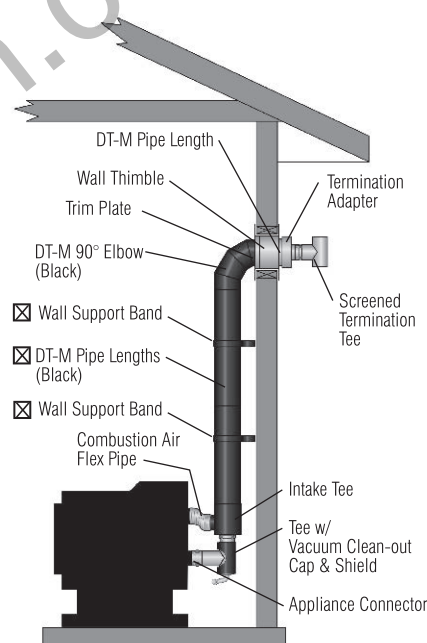
- Inner liner constructed of 29-4C Stainless Steel with built-in seal
- Outer jacket constructed of 409 Stainless Steel
- 1" clearance to combustibles
- Available in 3" and 4" diameters
- "Smart Choice" Lifetime Warranty

Typical Installations

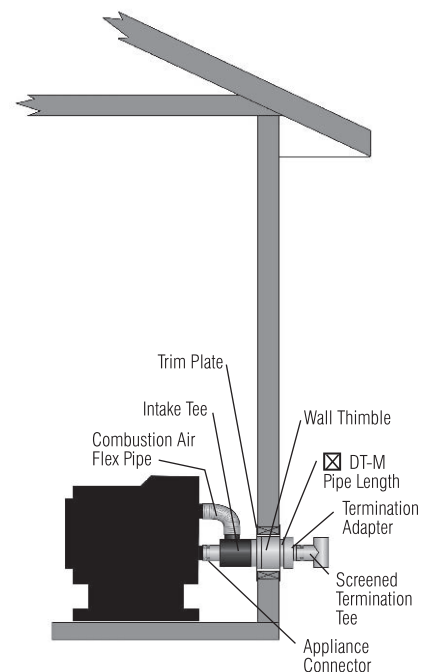
Through-The-Roof Installation



Up & Out Installation



Straight Out Installation



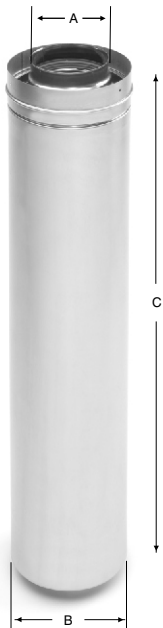
☒ = Items NOT included in Kits

Direct-Temp® Multi-Fuel Appliance Venting Solution

Lengths

Straight Lengths

- Available in 6", 12", 24" and 36" lengths
- Available in 409 SS or black



| Size | Length | Dimensions | | | Installed Length | Part # | Part # (Black) |
|---------|--------|------------|----|-------|------------------|---------|----------------|
| | | A | B | C | | | |
| 3" x 5" | 6" | 3" | 5" | 3.88" | SC03L6 | SC03L6B | |
| 4" x 7" | 6" | 4" | 7" | 3.88" | SC04L6 | SC04L6B | |

| Size | Length | Dimensions | | | Installed Length | Part # | Part # (Black) |
|---------|--------|------------|----|-------|------------------|----------|----------------|
| | | A | B | C | | | |
| 3" x 5" | 12" | 3" | 5" | 9.88" | SC03L12 | SC03L12B | |
| 4" x 7" | 12" | 4" | 7" | 9.88" | SC04L12 | SC04L12B | |

| Size | Length | Dimensions | | | Installed Length | Part # | Part # (Black) |
|---------|--------|------------|----|--------|------------------|----------|----------------|
| | | A | B | C | | | |
| 3" x 5" | 24" | 3" | 5" | 21.88" | SC03L24 | SC03L24B | |
| 4" x 7" | 24" | 4" | 7" | 21.88" | SC04L24 | SC04L24B | |

| Size | Length | Dimensions | | | Installed Length | Part # | Part # (Black) |
|---------|--------|------------|----|--------|------------------|----------|----------------|
| | | A | B | C | | | |
| 3" x 5" | 36" | 3" | 5" | 35.38" | SC03L36 | SC03L36B | |
| 4" x 7" | 36" | 4" | 7" | 35.38" | SC04L36 | SC04L36B | |

| Size | Length | Dimensions | | | Installed Length | Part # | Part # (Black) |
|---------|--------|------------|----|--------|------------------|----------|----------------|
| | | A | B | C | | | |
| 3" x 5" | 24" | 3" | 5" | 21.88" | SC03L24 | SC03L24B | |
| 4" x 7" | 24" | 4" | 7" | 21.88" | SC04L24 | SC04L24B | |

| Size | Length | Dimensions | | | Installed Length | Part # | Part # (Black) |
|---------|--------|------------|----|--------|------------------|----------|----------------|
| | | A | B | C | | | |
| 3" x 5" | 36" | 3" | 5" | 35.38" | SC03L36 | SC03L36B | |
| 4" x 7" | 36" | 4" | 7" | 35.38" | SC04L36 | SC04L36B | |

| Size | Length | Dimensions | | | Installed Length | Part # | Part # (Black) |
|---------|--------|------------|----|--------|------------------|----------|----------------|
| | | A | B | C | | | |
| 3" x 5" | 36" | 3" | 5" | 35.38" | SC03L36 | SC03L36B | |
| 4" x 7" | 36" | 4" | 7" | 35.38" | SC04L36 | SC04L36B | |

| Size | Length | Dimensions | | | Installed Length | Part # | Part # (Black) |
|---------|--------|------------|----|--------|------------------|----------|----------------|
| | | A | B | C | | | |
| 3" x 5" | 36" | 3" | 5" | 35.38" | SC03L36 | SC03L36B | |
| 4" x 7" | 36" | 4" | 7" | 35.38" | SC04L36 | SC04L36B | |

Adjustable Lengths

- Used to adjust pipe to a non-standard length
- Adjustable from 12.5" to 19.5"
- Available in 409 SS or black



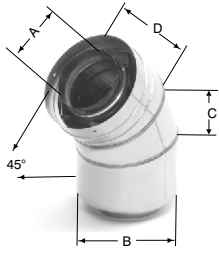
| Size | Length | Dimensions | | | Installed Length | Part # | Part # (Black) |
|---------|----------------|------------|----|----------------|------------------|---------|----------------|
| | | A | B | C | | | |
| 3" x 5" | 12.5" to 19.5" | 3" | 5" | 12.5" to 19.5" | SC03AJ | SC03AJB | |
| 4" x 7" | 12.5" to 19.5" | 4" | 7" | 12.5" to 19.5" | SC04AJ | SC04AJB | |

| Size | Length | Dimensions | | | Installed Length | Part # | Part # (Black) |
|---------|----------------|------------|----|----------------|------------------|---------|----------------|
| | | A | B | C | | | |
| 3" x 5" | 12.5" to 19.5" | 3" | 5" | 12.5" to 19.5" | SC03AJ | SC03AJB | |
| 4" x 7" | 12.5" to 19.5" | 4" | 7" | 12.5" to 19.5" | SC04AJ | SC04AJB | |

Direct-Temp® Multi-Fuel Appliance Venting Solution

Elbows and Tees

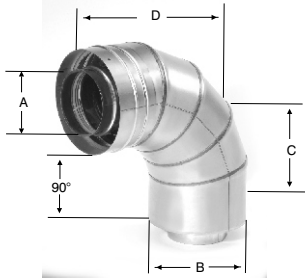
45° Elbow



- Used to achieve offsets or changes in the direction of the vent system
- Degree of these welded seam elbows is not adjustable
- Available in 409 SS or black

| Size | Dimensions | | | | Part # | Part # (Black) |
|---------|------------|----|------|------|---------|----------------|
| | A | B | C | D | | |
| 3" x 5" | 3" | 5" | 3.1" | 3.7" | SC03E45 | SC03E45B |
| 4" x 7" | 4" | 7" | 3.3" | 4.3" | SC04E45 | SC04E45B |

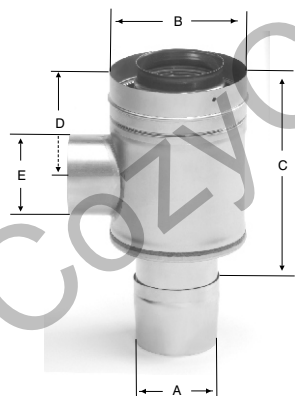
90° Elbow



- Used to achieve offsets or changes in the direction of the vent system
- Degree of these welded seam elbows is not adjustable
- Available in 409 SS or black

| Size | Dimensions | | | | Part # | Part # (Black) |
|---------|------------|----|------|-------|---------|----------------|
| | A | B | C | D | | |
| 3" x 5" | 3" | 5" | 6.1" | 7.0" | SC03E90 | SC03E90B |
| 4" x 7" | 4" | 7" | 6.8" | 7.75" | SC04E90 | SC04E90B |

Air Intake Tee



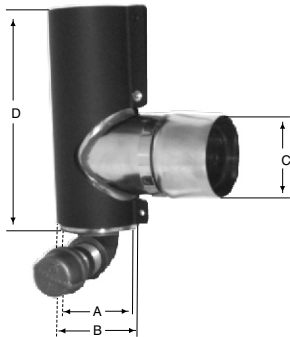
- Allows outside combustion air to be directed to the pellet stove and vents the flue gases to the outside
- Can be installed horizontally or vertically when connected to a Tee with Cleanout
- Available in 409 SS or black

| Size | Dimensions | | | | | Part # | Part # (Black) |
|---------|------------|----|-----|------|----|----------|----------------|
| | A | B | C | D | E | | |
| 3" x 5" | 3" | 5" | 9" | 4.0" | 3" | SC03TAD3 | SC03TAD3B |
| 4" x 7" | 4" | 7" | 10" | 4.6" | 3" | SC04TAD3 | SC04TAD3B |

Direct-Temp® Multi-Fuel Appliance Venting Solution

Elbows and Tees

Tee w/Vacuum Cleanout Cap & Shield

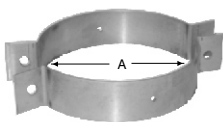


- Used to change the orientation of the vent from horizontal to vertical
- Allows any ash to be removed via a vacuum

| Size | Dimensions | | | | Part # | Part # (Black) |
|----------|------------|------|----|------|--------|----------------|
| | A | B | C | D | | |
| 3" x 5" | 3" | 3.5" | 3" | 6.3" | N/A | 9316DTMB |
| 3" to 4" | 4" | 4.5" | 3" | 6.3" | N/A | 9416DTM3B |
| 4" x 7" | 4" | 4.5" | 4" | 7.3" | N/A | 9416DTMB |

Supports

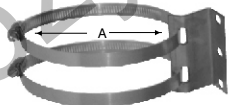
304 Support Clamps



- Used with horizontal systems to provide support at the required 6-foot intervals
- Support clamps by themselves do not maintain the necessary clearances to combustible materials: be sure to consider clearances when planning the system
- Support clamps are sold in pairs to clamp around the vent and suspend from single rod or cable, or used singularly as a saddle to rest the vent in

| Size | Dimensions | | Part # | Part # (Black) |
|---------|------------|--|--------|----------------|
| | A | | | |
| 3" DT-M | 5" | | 4527SS | N/A |
| 4" DT-M | 7" | | 4727SS | N/A |

1" Clearance Support Clamps

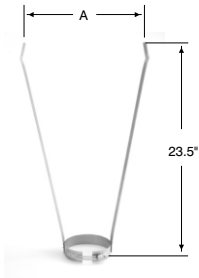


- Provides support to the DT-M system and establishes the required 1" clearance to combustible materials
- Secured in place via worm gear clamps

| Size | Dimensions | | Part # | Part # (Black) |
|---------|------------|--|----------|----------------|
| | A | | | |
| 3" DT-M | 5" | | SC03SUP1 | N/A |
| 4" DT-M | 7" | | SC04SUP1 | N/A |

Supports

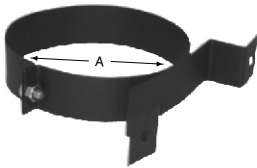
Vertical Support Leg



- Used to provide vertical support
- 20 gauge stainless steel support legs can be used below or above the roof

| Size | Dimensions | | Part # | Part # (Black) |
|---------|------------|--|---------|----------------|
| | A | | | |
| 3" DT-M | 5" | | SC03VSL | N/A |
| 4" DT-M | 7" | | SC04VSL | N/A |

1" Clearance Wall Support Band

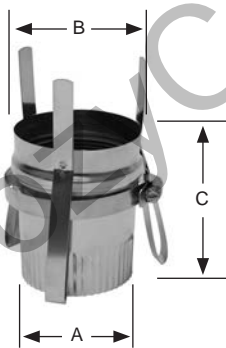


- Provides vertical or horizontal support for the DT-M system
- Provides the required minimum clearance to combustibles
- Painted black for use in locations where it will be visible

| Size | Dimensions | | Part # | Part # black |
|---------|------------|--|--------|--------------|
| | A | | | |
| 3" DT-M | 5" | | N/A | SC03WB |
| 4" DT-M | 7" | | N/A | SC04WB |

Parts & Accessories

Appliance Connector - Inside Fit



- Inlet end connects to the appliance and the outlet connects to the Pellet Stove Adapter or to the Tee if venting vertically

| Size | Dimensions | | | Part # | Part # (Black) |
|----------|------------|----|------|--------|----------------|
| | A | B | C | | |
| 3" | 2.9" | 3" | 4" | 9363 | N/A |
| 3" to 4" | 2.9" | 4" | 5.3" | 9364 | N/A |
| 4" | 3.9" | 4" | 4" | 9464 | N/A |

Direct-Temp® Multi-Fuel Appliance Venting Solution

Parts & Accessories

Appliance Connector - Outside Fit



- Inlet end connects to the appliance and the outlet connects to the Pellet Stove Adapter or to the Tee if venting vertically

| Size | Dimensions | | | Part # | Part # (Black) |
|------|------------|----|--------|---------|----------------|
| | A | B | C | | |
| 3" | 3.06" | 3" | 2-7/8" | 9301MOD | N/A |

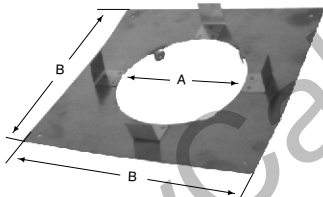
Bixby Appliance Adapter



- Provides for a direct connection between a Bixby Appliance and 3" x 5" DT-M product

| Size | Dimensions | | Part # | Part # (Black) |
|---------|------------|--|--------|----------------|
| | A | | | |
| 3" x 5" | 4" | | N/A | SC03AD08 |

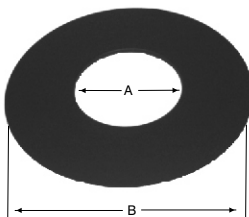
Firestop / Support / Wall Plate



- Required any time the DT-M vent penetrates a combustibile ceiling or wall
- Spacers maintain the mandatory 1" air space clearance
- Can be used as a firestop or support in vertical or horizontal applications
- Serves as a support when DT-M Vent is secured to tabs in plate

| Size | Dimensions | | Part # | Part # (Black) |
|---------|------------|-----|----------|----------------|
| | A | B | | |
| 3" DT-M | 5.06" | 9" | SC03AFSP | N/A |
| 4" DT-M | 7.06" | 11" | SC04AFSP | N/A |

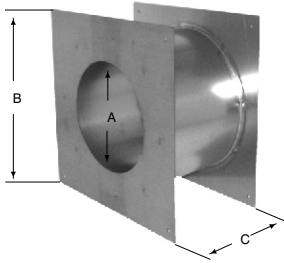
Trim Plate



- Used to provide a finished look at the ceiling for vertical installations
- Painted black

| Size | Dimensions | | Part # | Part # (Black) |
|---------|------------|-----|--------|----------------|
| | A | B | | |
| 3" DT-M | 5.13" | 12" | N/A | SC03TP |
| 4" DT-M | 7.13" | 14" | N/A | SC04TP |

Wall Thimble

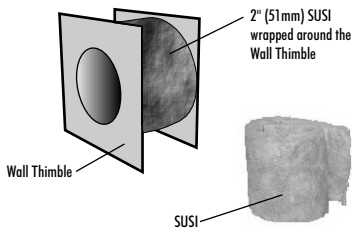


- Used when the vent pipe passes through a wall

| Size | Dimensions | | | Part # | Part # (Black) |
|---------|------------|-----|------------|--------|----------------|
| | A | B | C | | |
| 3" DT-M | 5.06" | 9" | 4.5" to 7" | SC03WT | N/A |
| 4" DT-M | 7.06" | 11" | 4.5" to 7" | SC04WT | N/A |

NOTE: add SUSI to this part for increased performance and safety

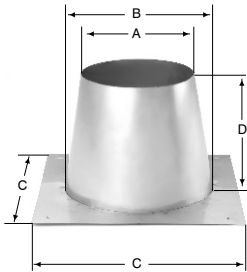
SUSI - Selkirk Universal Shielding Insulation



- Insulation used with Wall Thimble for increased performance and safety

| Size | Dimensions | Part # | Part # (Black) |
|-----------|----------------|--------|----------------|
| Universal | 2" x 12" x 48" | SUSI | N/A |

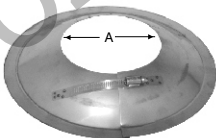
Roof Flashings



- Used to seal the opening where the pipe penetrates the roof
- Must be installed with a Storm Collar (ordered separately)

| Size | Dimensions | | | | Roof Pitch | Part # | Part # (Black) |
|---------|------------|------|-------|------|---------------------|----------|----------------|
| | A | B | C | D | | | |
| 3" DT-M | 5.5" | 7.5" | 12.5" | 6.0" | Flat to 2/12 Pitch | SC03TCF | N/A |
| 3" DT-M | 5.5" | 7.5" | 12.5" | 6.0" | 2/12 to 6/12 Pitch | SC03TCFA | N/A |
| 3" DT-M | 5.5" | 7.5" | 12.5" | 6.0" | 6/12 to 12/12 Pitch | SC03TCFB | N/A |
| 4" DT-M | 7.5" | 9.5" | 14.5" | 6.0" | Flat to 2/12 Pitch | SC04TCF | N/A |
| 4" DT-M | 7.5" | 9.5" | 14.5" | 6.0" | 2/12 to 6/12 Pitch | SC04TCFA | N/A |
| 4" DT-M | 7.5" | 9.5" | 14.5" | 6.0" | 6/12 to 12/12 Pitch | SC04TCFB | N/A |

304 Storm Collar



- Used to provide a weather proof seal to pipe above roof flashing
- Tighten and apply silicone sealant to upper edge
- Made from Type 304 Stainless Steel

| Size | Dimensions | Part # | Part # (Black) |
|---------|------------|--------|----------------|
| | A | | |
| 3" DT-M | 5" | 4526SS | N/A |
| 4" DT-M | 7" | 4726SS | N/A |

Outside the House Parts

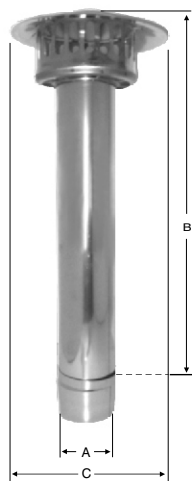
4DT-CAK Combustion Air Kit



- Provides an avenue for combustion air to flow from the Pellet Stove Adapter to the combustion air inlet of the appliance
- Includes 36" length of Aluminum Flex and Hose Clamp

| Size | Length | Part # | Part # (Black) |
|------|--------|---------|----------------|
| 3" | 3' | 4DT-CAK | N/A |

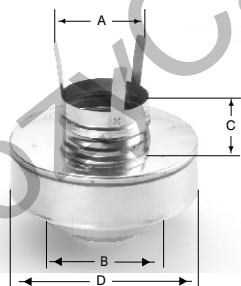
Tall Rain Cap



- Used as a termination for vertical systems
- Prevents rain water from entering the vent
- 29-4C construction
- Extension prevents flue gases from entering/ contaminating the intake air

| Size | Dimensions | | | Part # | Part # (Black) |
|---------|------------|-------|----|---------|----------------|
| | A | B | C | | |
| 3" DT-M | 3" | 17.5" | 5" | SC03RCX | N/A |
| 4" DT-M | 4" | 18.3" | 7" | SC04RCX | N/A |

Termination Adapter

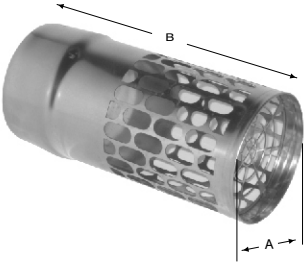


- Attaches to the last length of pipe in a vertical run
- Complete installation with a termination raincap
- Extra housing provides passage way for intake air

| Size | Dimensions | | | | Part # | Part # (Black) |
|---------|------------|----|------|------|--------|----------------|
| | A | B | C | D | | |
| 3" DT-M | 3" | 5" | 3.8" | 7.1" | SC03VT | N/A |
| 4" DT-M | 4" | 7" | 3.8" | 9.1" | SC04VT | N/A |

Outside the House Parts

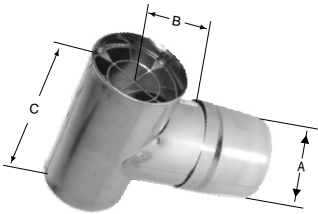
Free Flow Horizontal Termination Cap



- Used as a termination on horizontal systems

| Size | Dimensions | | Part # | Part # (Black) |
|---------|------------|-------|----------|----------------|
| | A | B | | |
| 3" DT-M | 3" | 6.25" | 9390FFHT | N/A |
| 4" DT-M | 4" | 7.25" | 9490FFHT | N/A |

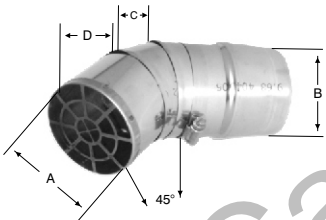
Screened Termination Tee



- Used as a termination on horizontal or vertical systems

| Size | Dimensions | | | Part # | Part # black |
|---------|------------|------|----|---------|--------------|
| | A | B | C | | |
| 3" DT-M | 3" | 5.5" | 6" | 9390TEE | N/A |
| 4" DT-M | 4" | 6.0" | 7" | 9490TEE | N/A |

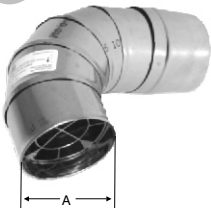
45° Screened Termination Elbow



- Used as a termination on horizontal or vertical systems

| Size | Dimensions | | | | Part # | Part # (Black) |
|---------|------------|------|------|------|----------|----------------|
| | A | B | C | D | | |
| 3" DT-M | 3" | 3.8" | 5.3" | 6.8" | 9311TERM | N/A |
| 4" DT-M | 4" | 5.3" | 6" | 8.0" | 9411TERM | N/A |

90° Screened Termination Elbow



- Used to terminate a horizontal system
- Directs the exhaust down

| Size | Dimensions | | Part # | Part # (Black) |
|---------|------------|--|----------|----------------|
| | A | | | |
| 3" DT-M | 3" | | 9314TERM | N/A |
| 4" DT-M | 4" | | 9414TERM | N/A |

Direct-Temp® Multi-Fuel Appliance Venting Solution

Support Kits

Selkirk has put together 3 DT-M kits to get your project done . . .

We have taken the guess work out of installation by putting the most common parts for each installation all in one box. These 3 kits depict the most common installations. Simply decide which of these scenarios fits your need, then pick up your Direct-Temp lengths and if required the proper roof flashing

Vertical Kit

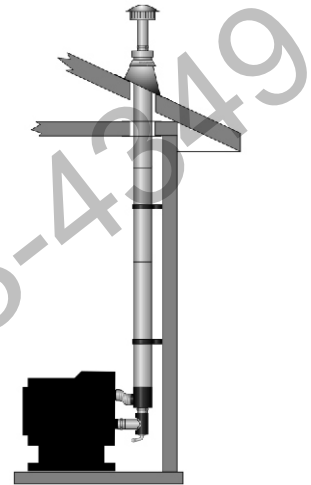
When your chimney goes up through a ceiling, then thru the roof, you'll need the VERTICAL KIT - *DTM-VK which includes:

- Tee with Vacuum Cleanout Cap & Shield
- Air Intake Tee - Black
- Firestop/Support
- Trim Plate
- Appliance Adapter
- 304 Storm Collar
- Termination Adapter
- Tall Rain Cap
- Combustion Air Kit

| SIZE | PRODUCT CODE |
|------|--------------|
| 3" | 3DTM-VK |
| 4" | 4DTM-VK |

Now just add:

DT-M Lengths available in 6", 12", 24" and 36" lengths and the appropriate **Roof Flashing**
Flat - 2/12
2/12 - 6/12
6/12 - 12/12



Up & Out Kit

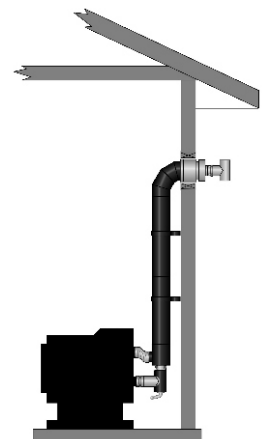
When your chimney goes up and then out the wall you'll need the Up & Out KIT - *DTM-UK which includes:

- Tee with Vacuum Cleanout Cap & Shield
- Air Intake Tee - Black
- 90° Elbow - Black
- Trim Plate
- Wall Thimble
- (1) Wall Band/Support
- Appliance Adapter
- Termination Adapter
- Screened Termination Tee
- Combustion Air Kit

| SIZE | PRODUCT CODE |
|------|--------------|
| 3" | 3DTM-UK |
| 4" | 4DTM-UK |

Now just add:

DT-M Lengths available in 6", 12", 24" and 36" lengths



Horizontal Kit

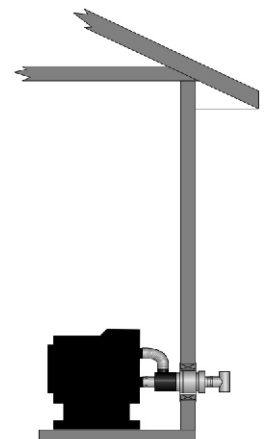
When your chimney goes straight out the wall you'll need the HORIZONTAL KIT - *DTM-HK which includes:

- Air Intake Tee - Black
- Trim Plate
- Wall Thimble
- Appliance Adapter
- Termination Adapter
- Screened Termination Tee
- Combustion Air Kit

| SIZE | PRODUCT CODE |
|------|--------------|
| 3" | 3DTM-HK |
| 4" | 4DTM-HK |

Now just add:

DT-M Lengths available in 6", 12", 24" and 36" lengths



DIRECT-TEMP[®]

For training, detailed product information, downloadable catalogs and installation instructions visit our website:

selkirkcorp.com



Selkirk USA

4460 44th Street S.E., Suite F
Grand Rapids, MI 49512

phone: 1.800.992.VENT (8368)
email: info@selkirkcorp.com

selkirkcorp.ca



Selkirk Canada

P.O. Box 526, Depot 1,
Hamilton, ON, L8L 7X6

phone: 1.888.SELKIRK (735.5475)
email: cscanada@selkirkcorp.com

Complete Linecard



residential chimney



roof curbs & equipment rails



access doors



rooftop products*



residential vent



filters*



duct components



grilles, registers, diffusers



commercial industrial vent