

## On-Site Custom Surround: MI25-5040CS-BK, MI30-5040CS-BK, MI35-5040CS-BK

### Installation Instructions -



Leave this manual with party responsible for use and operation.

**CAUTION! Risk of Cuts, Abrasions or Flying Debris.**  
Wear protective gloves and safety glasses during installation. Sheet metal edges are sharp.

**THE ON-SITE CUSTOM SURROUND REQUIRES THE APPLIANCE OPENING DEPTH TO BE AN ADDITIONAL 3/4". SEE MINIMUM APPLIANCE OPENING SECTION IN THE APPLIANCE INSTALLATION MANUAL. THE ON-SITE CUSTOM SURROUND COMES STANDARD AS A 4-SIDED SURROUND AND SHIPS WITH A VANITY PANEL. WHEN THIS SURROUND IS INSTALLED AS A 4-SIDED SURROUND, THE VANITY PANEL SHOULD BE USED. IT IS PERMISSIBLE TO CUT THE BOTTOM 5 OR 6 INCHES OFF THE SURROUND AND INSTALL IT AS A 3-SIDED SURROUND WHEN INSTALLED AS A 3-SIDED SURROUND THE VANITY PANEL WILL NOT BE USED.**

#### INTRODUCTION

The surround is used to fill the space between the insert and the solid fuel firebox opening. The front is placed onto the surround after it is attached to the insert. The surround is required.

**WARNING! Risk of Fire! Combustible materials *MUST NOT* overlap or be placed under a surround.**

#### Combustible Materials Specification

Materials made of or surfaced with wood, compressed paper, plant fibers, plastics, or other material that can ignite and burn, whether flame proofed or not, or plastered or unplastered shall be considered combustible materials.

#### SURROUND KIT COMPONENTS

- (1) Metal Surround
- (1) Rocker Switch
- (1) Rocker Switch Mounting Bracket
- (4) 1/2 in. Sheet Metal Screw
- (2) Shoulder Screws
- (1) Vanity Panel
- (1) Self-Drilling Screw
- (1) USB-C Plug Mounting Bracket
- (1) USB-C Plug

#### TOOLS NEEDED

- 1/4 in. driver
- Pliers
- De-burring tool
- Sheet metal cutting tool

# ! DANGER



**HOT GLASS WILL  
CAUSE BURNS.**

**DO NOT TOUCH GLASS  
UNTIL COOLED.**

**NEVER ALLOW CHILDREN  
TO TOUCH GLASS.**

A barrier designed to reduce the risk of burns from the hot viewing glass is provided with this appliance and must be installed for the protection of children and other at-risk individuals.

- CAREFULLY SUPERVISE children in same room as fireplace.
- Alert children and adults to hazards of high temperatures.

#### High temperatures may ignite clothing or other flammable materials.

- Keep clothing, furniture, draperies and other flammable materials away.
- Do NOT operate with protective barriers open or removed.
- The decorative front must remain closed if children will be present during the operation of the fireplace.
- The decorative front may be made operable per these instructions. This may be done only upon request of a person responsible for the use and operation of the fireplace.
- The decorative front can be returned to the locked position following these instructions.

## Installation Instructions

### USB-C and Reset Switch Relocation

1. Remove vanity panel, decorative front and firebox glass assembly if previously installed.
2. Install the reset switch, found in the kit manual bag into the reset switch mounting bracket.
3. Use the self-drilling screw to attach the reset switch bracket to the center standoff. The bracket should sit flat on the base of the appliance. Center the hole in the bracket on the center of the standoff. See Figure 1.

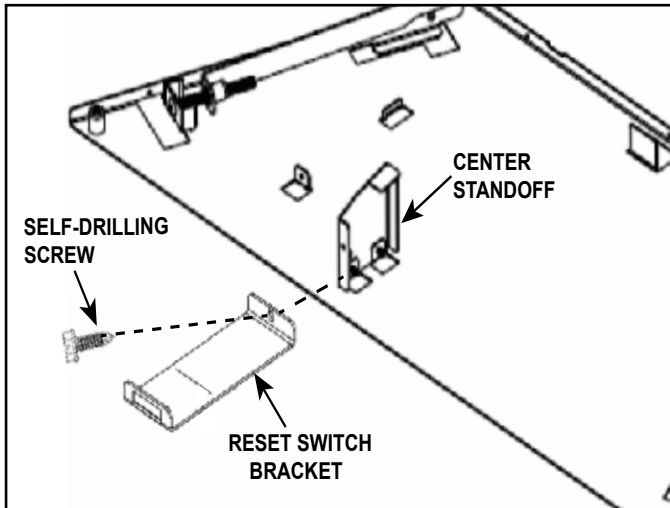


Figure 1 Reset Switch Bracket Location

4. Disconnect the jumper wire from the “BATT (+)” and “BATT (-)” wires coming out of the ECM. Remove the jumper wire from the unit and discard.
5. Slide the component tray and component heat shield out from underneath the firebox. Remove component heat shield.
6. Remove USB-C bracket from kit manual bag and bend it as shown in Figure 2.
7. Remove the USB-C plug from the kit manual bag and insert it into the USB-C bracket. Attach the USB-C bracket to the component tray by placing it in the slot as noted in Figure 3.
8. Connect the jumper wire to the “BATT (+)” and “BATT (-)” wires on the ECM.
9. Locate the reset switch wire on the outer wrap on the right side of the appliance and feed it through the grommet into the appliance. Move only enough wire back through to reach the rocker switch location. Attach to the rocker switch. Leave the excess wire outside of the appliance. See Figure 4.
10. Reinstall the component heat shield on the component tray and slide the complete assembly back into position underneath the firebox as shown in Figure 5.
11. Reinstall firebox glass assembly, decorative front and vanity panel, if previously installed.

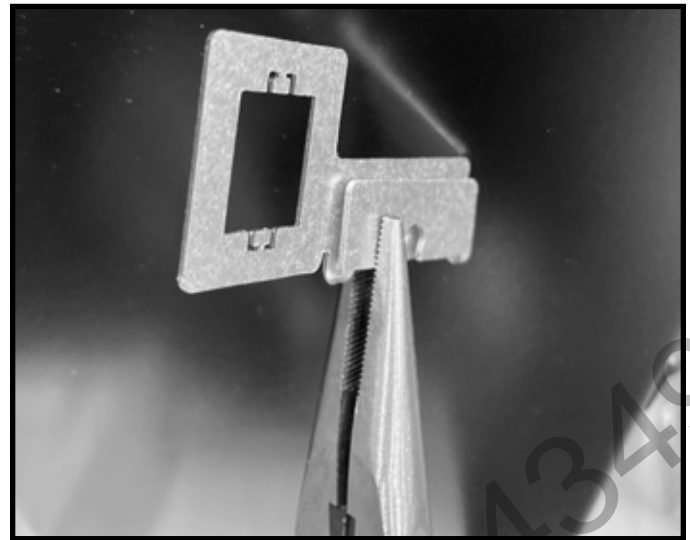


Figure 2 Bend USB-C Bracket

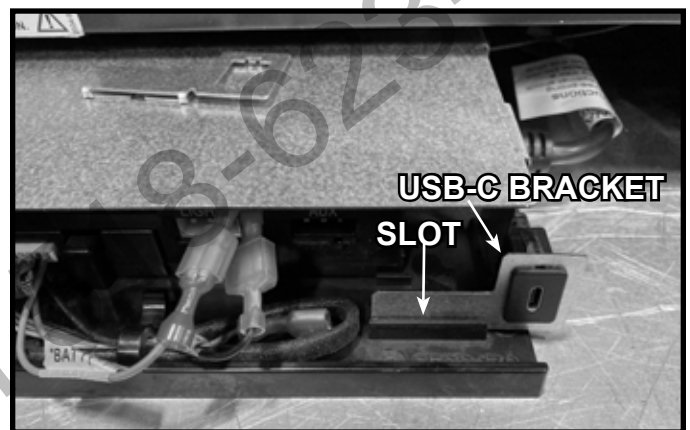


Figure 3

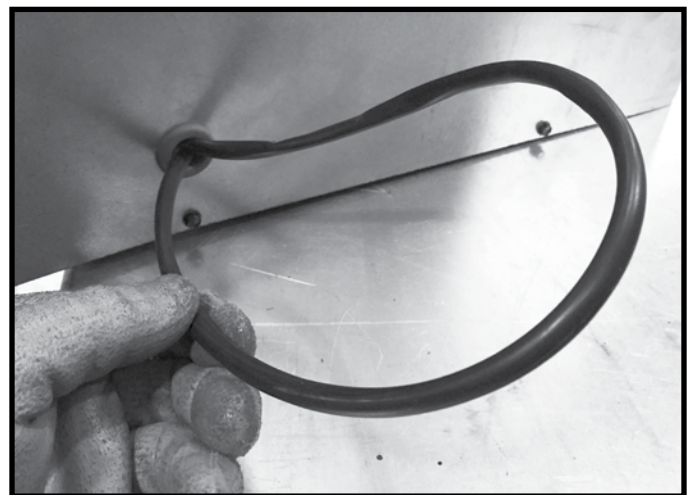


Figure 4 Feed Reset Switch Wire Through Grommet



Figure 5 Location of Component Tray Underneath Firebox

**NOTICE:** DO NOT store battery backup pack or batteries under the appliance. If using the battery backup system, the pack and batteries should be left in front of the appliance. See Figure 6.

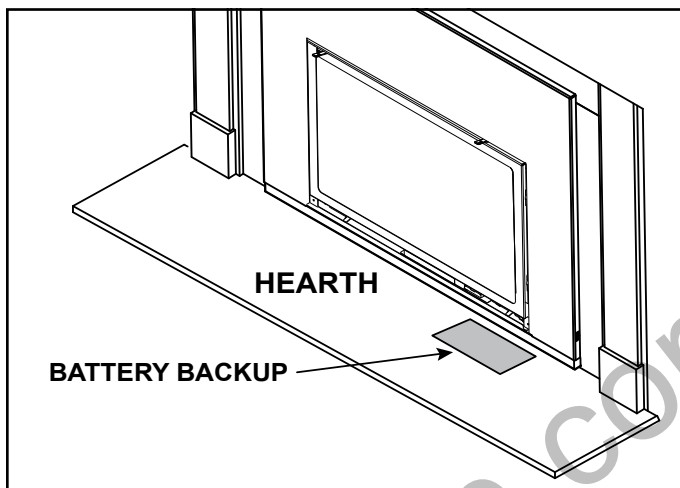


Figure 6

### Surround Installation and Trimming

12. Remove surround from packaging.
13. Measure the dimensions for the desired application.
14. Mark the dimensions on the surround and cut to size. An electric shear like the one shown in Figure 6 is a good option for a clean, burr free, cut.
15. Remove any burrs or sharp edges/corners that were created during cutting. Touch up the paint if needed.
16. See the front instructions for surround installation.



Figure 6

17. If installed as a 4-sided surround, install shoulder screws in bottom corners of surround opening. Bend tabs on vanity panel toward the 90° return bend and hang on shoulder screws. See Figures 7 and 8.

**NOTE:** In certain applications the surround may bow during operation. Removable mechanical fasteners can be installed to hold the surround flush against the non-combustible surface.

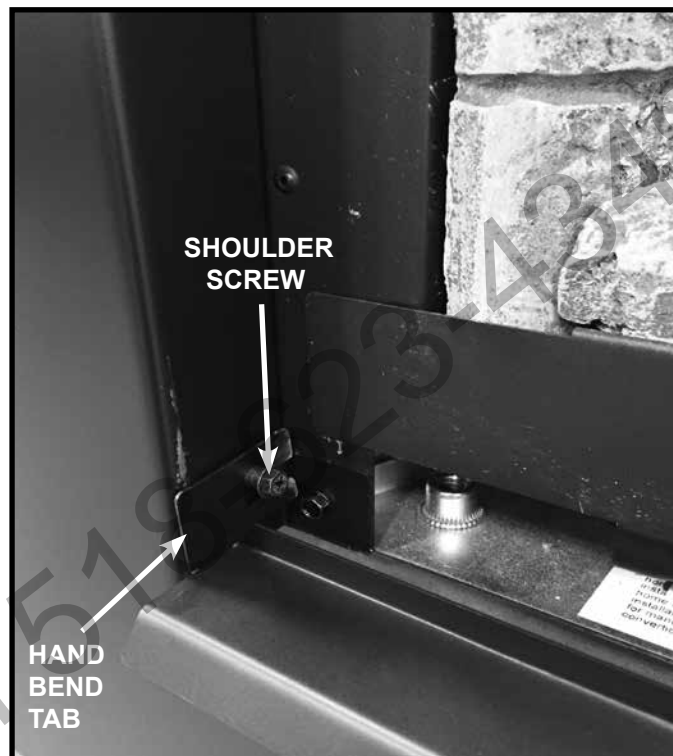


Figure 7 Hand Bend Tab & Shoulder Screw

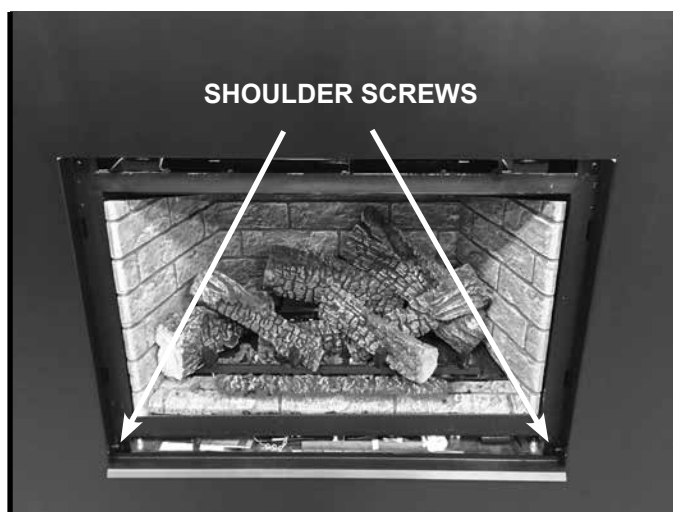


Figure 8 Vanity Panel Installed

Please contact your Hearth & Home Technologies dealer with any questions or concerns.  
For the location of your nearest Hearth & Home Technologies dealer, please visit [www.hearthnhome.com](http://www.hearthnhome.com).

Hearth & Home Technologies  
7571 215th Street West, Lakeville, MN 55044  
[www.hearthnhome.com](http://www.hearthnhome.com)