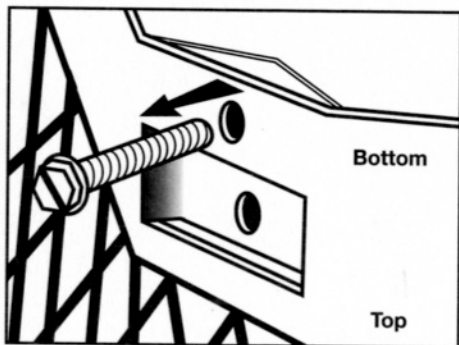


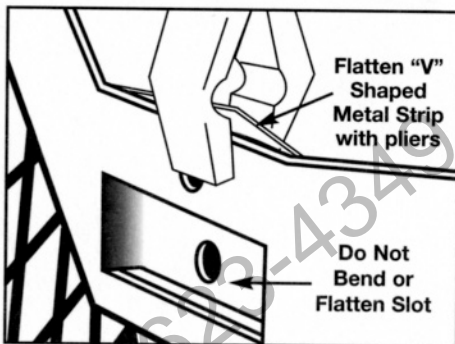
Instructions For Installing CHIMNEY COVER LEG KIT MODEL LK4 & LK4-SS TO BE USED WITH CHIMNEY COVER MODELS CB0 OR SS ONLY

READ ALL INSTRUCTIONS AND CAUTIONS (ON BACK) BEFORE PROCEEDING!

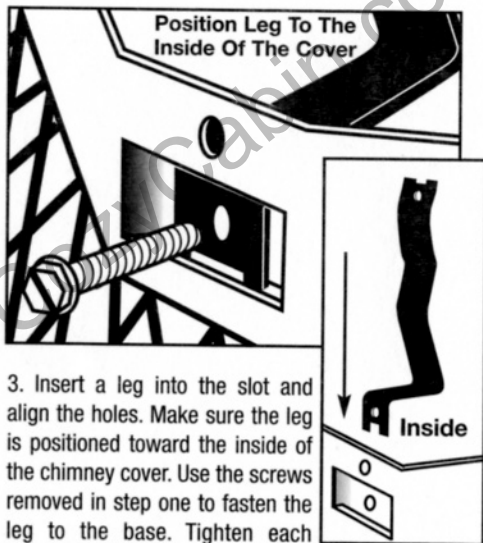
CONTENTS: Four metal legs



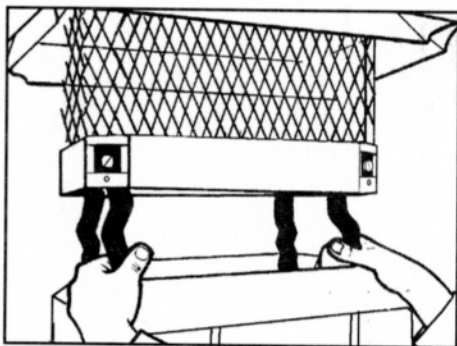
1. Place the chimney cover upside-down to remove the four screws in the base. Keep the screws — they will be needed later.



2. The "V" shaped metal strip inside the base at each corner needs to be flattened. It is advised to use pliers. Do Not Flatten or bend the slot directly below the "V" shaped metal strip.



3. Insert a leg into the slot and align the holes. Make sure the leg is positioned toward the inside of the chimney cover. Use the screws removed in step one to fasten the leg to the base. Tighten each screw so the head is flush to the leg. Repeat this step for the remaining three legs.



4. Install the cover by placing two legs inside the flue liner no more than 1". Carefully compress the remaining two legs to insert them into the flue liner. With all four legs securely inserted into the flue liner an equal depth, firmly push the cover straight down until the base of the chimney cover is flush against the flue liner or as close as possible. The installation is now complete.

KEEP THIS SHEET FOR FUTURE REFERENCE