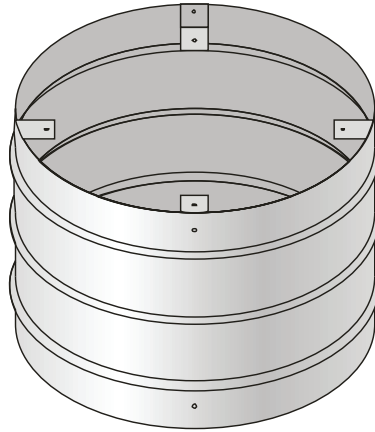
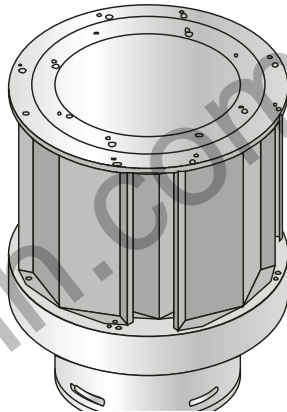
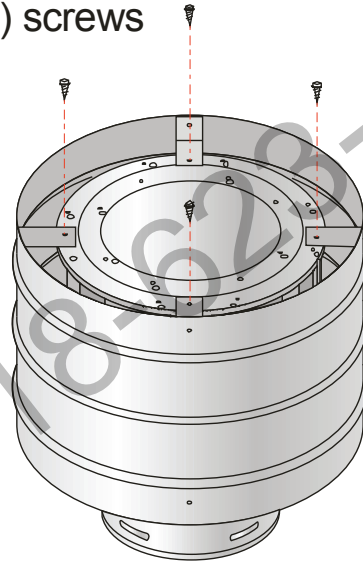


Instructions: Installing Vertical Wind Guard



46DVA-VWG

(4) screws



46DVA-VCH, 58DVA-VCH,
46DVA-CL33, OR 46DVA-CL34

**46DVA-VWG DirectVent Pro Wind Guard for the 46DVA-VCH, 58DVA-VCH,
46DVA-CL33, and 46DVA-CL34**

For questions contact:
Technical Support
DuraVent, Inc
800-835-4429
techsupport@duravent.com

DuraVent®

DirectVent Pro is a registered trademark of DuraVent, Inc.
All rights reserved. Made in the USA. ©2011, 2017

DirectVent® Pro