

Installation Instructions



DirectVent Pro Chimney Liner System
For Use With Direct Vent Gas Appliances.

DIRECTVENT® PRO

CHIMNEY LINER SYSTEM

DuraVent®

CozyCabin.com 518-625-4349

A MAJOR CAUSE OF VENT RELATED FIRES IS FAILURE TO MAINTAIN REQUIRED CLEARANCES (AIR SPACES) TO COMBUSTIBLE MATERIALS. IT IS OF THE UTMOST IMPORTANCE THAT DIRECTVENT PRO BE INSTALLED ONLY IN ACCORDANCE WITH THESE INSTRUCTIONS.

NOTE:

Read through all of these instructions before beginning your installation. Failure to install as described in this instruction will void the manufacturer's warranty, and may have an effect on your homeowner's insurance and UL listing status. Keep these instructions for future reference.

APPLICATION

These instructions apply to the DuraVent DirectVent Pro Liner System. This venting system, in combination with the gas appliance, has been tested and listed as a decorative gas appliance system, or as a direct vent heater system by a major testing agency such as UL, CSA, OMNI or Warnock Hersey. Check the manufacturer's rating plate and instruction manual to confirm that the DuraVent DirectVent Pro Chimney Liner System is approved for use on the brand name appliance you have selected.

IMPORTANT

Read all instructions carefully before starting the installation. Failure to follow these instructions may create a fire or other safety hazard, and will void the warranty. Be sure to check the appliance manufacturer's installation instructions for specific venting and clearance to combustible requirements, which may vary from one appliance to another.

Dear Customer, Installer, or End User:

I welcome any comments regarding matters pertaining to our DuraVent products. I welcome any ideas, input or complaints and I'll make sure that someone responds directly back to you. Send your emails to: president@duravent.com

If you are searching for tech support or product information, please phone us at 800-835-4429. Or email us at: techsupport@duravent.com

Chimney Liner System for Direct Vent Gas Appliances

CONTENTS

Installation Precautions, Warning, Safety Precautions, Parts List, Planning
Your Installation..... 4

Installation in Masonry or 2nd Clearance Chimney..... 5

General Maintenance..... 7

CHIMNEY LINEAR SYSTEM

DIRECTVENT® PRO

DuraVent®

INSTALLATION PRECAUTIONS

The DuraVent Direct Vent Chimney Liner System is an engineered product that has been designed and tested for use with an approved list of direct vent gas appliances. The DuraVent warranty will be voided, and serious fire, health, or other safety hazards may result from any of the following actions:

- Installation of any damaged Chimney Liner System.
- Unauthorized modifications of the Chimney Liner System.
- Installation of any component part not manufactured or approved by DuraVent.
- Installation other than as instructed by DuraVent and the appliance manufacturer.

Consult your local building codes before beginning the installation.

WARNING

• Always maintain required clearances (air spaces) to nearby combustibles to prevent a fire hazard. Be sure to check the appliance manufacturer's installation instructions for minimum clearance requirements between the outer walls of the vent pipe/liner system and nearby combustible surfaces. Be sure to check the vent termination clearance requirements from decks, windows, soffits, gas regulators, and air supply inlets, as specified in local building codes.

• The gas appliance and vent system must be vented directly to the outside of the building, and never be attached to a chimney serving a separate solid fuel or gas-burning appliance. Each direct vent gas appliance must use its own separate vent system. Common vent systems are prohibited.

SAFETY PRECAUTIONS FOR THE INSTALLER

- Wear gloves and safety glasses for

protection.

- Exercise extreme caution when using ladders or on roof tops.
- Be aware of electrical wiring locations in walls and ceilings.

PARTS LIST

The DuraVent Direct Vent Chimney Liner System offers a complete line of component parts for installation. Please see our catalog for details.

Parts List	
Number	Description
46DVA-ADF	CO-LINEAR FLEX CONNECTORS
46DVA-GK (3") 46DVA-CT (4")	DIRECT VENT CHIMNEY LINER TERMINATION KIT (BASEPLATE & CO- LINEAR TO CO-AXIAL ADAPTER)
46DVA-GCL	CO-AXIAL TO CO-LINEAR APPLIANCE CONNECTOR (STANDARD)
46DVA-TCL	CO-AXIAL TO CO-LINEAR APPLIANCE CONNECTOR (CONNECTOR FOR TRAVIS INDUSTRIES)
46DVA-VCL	CO-AXIAL TO CO-LINEAR APPLIANCE CONNECTOR (CONNECTOR FOR VERMONT CASTINGS)
46DVA-VC	VERTICAL TERMINATION CAP
46DVA-VCH	VERTICAL TERMINATION CAP (HIGH WIND)
2280	3" CHIMNEY LINER PIPE
790	3" FLEX PULLER (ROPE NOT INCLUDED)

PLANNING YOUR INSTALLATION

The Direct Vent Chimney Liner System was designed to be installed in an existing masonry or zero clearance chimney, and connected to either a stove, insert or other appropriate direct vent gas appliance. **(Figure 1)**. It is important to carefully measure the length of flex needed to reach from the appliance outlet to the termination cap. If the flex length is too

short, a flex coupler will be needed to attach an additional length of Flex Liner to make up the difference. If the flex length is too long, the liner could sag below the appliance outlet which could result in a potential fire hazard.

Note: For installation in a zero clearance chimney, you must have at least a 7" I.D. in order to run the two lines of Flex Liner needed.

INSTALLATION IN MASONRY OR ZERO CLEARANCE CHIMNEY

Step 1. Measure and record dimensions to determine total Flex Liner length requirements (see instructions below for details).

Step 2. Insert a rope through the end of the Flex Puller and tie a knot at the end of the rope. Attach the Flex Puller to the Flex Liner using four sheet metal screws as shown.

(Figure 2) Carefully feed the liner down the chimney (masonry or zero clearance) and out through the damper. One person should feed the liner through the chimney, and another person should pull the liner from the bottom, using the rope to guide the liner through to the chimney bottom. **Note:** If additional lengths of Flex Liner are needed span the chimney height, use a Flex Coupling to connect the pieces of Flex Liner together. Connect the Flex to the Coupling by using four sheet metal screws for each side. **(Figure 3).**

Step 3. After carefully feeding the Flex Liner down the chimney to the bottom, form an angle to line up the Flex Liner with the vent opening on the appliance. Important: Do not let the Flex Liner sag below the level at which it will connect to the appliance or connector. This could allow hot gas to become trapped and potentially become a fire hazard. The Flex Liner path should always be sloped up toward the Termination Cap.

Step 4. Remove the Flex Puller from the Flex

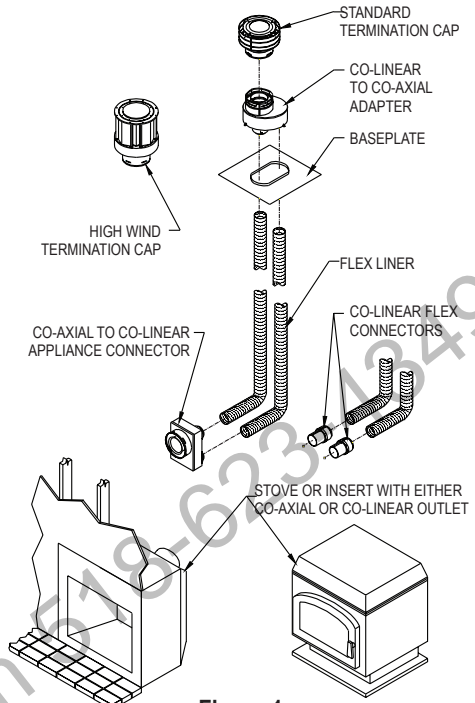


Figure 1

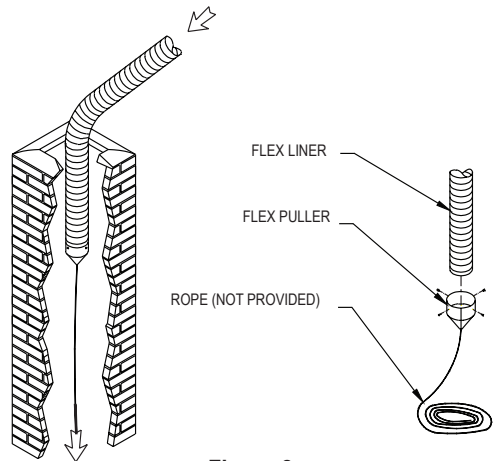


Figure 2

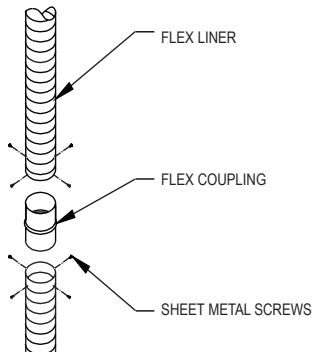


Figure 3

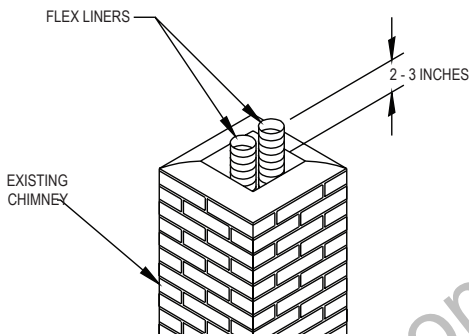


Figure 4

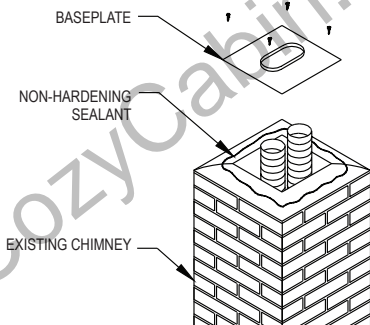


Figure 5

Liner and temporarily secure the Flex Liner at the top of the chimney. Be sure to leave 2-3 inches of flex above the existing chimney to allow for connection to the Termination Kit (Baseplate and Adaptor). **(Figure 4)**

Step 5. Repeat Steps 1-4 for the second

length of Flex Liner.

Step 6. At the top of the chimney, slide the Baseplate over the two ends of the Flex Liner and secure it to the surrounding masonry using masonry anchor bolts. Before installing the Baseplate, run a bead of non-hardening sealant between the Baseplate and the masonry to prevent moisture from entering the chimney. **(Figure 5)**

Note: Verify that there is sufficient room to mount the Baseplate on to the masonry. You must have a level surface in order to install the Baseplate properly.

Step 7. Attach the Flex Liner ends at the top of the chimney to the Co-Linear to Co-Axial Adaptor. Use four sheet metal screws to connect each Flex Liner run to the Adaptor.

(Figure 6) Mount the Adaptor to the Baseplate using sheet metal screws as shown. **(Figure 7)**

Step 8. Twist lock the Vertical Termination Cap (Standard or High Wind) to the Adaptor.

(Figure 8) Note: If you are planning to extend the height of the chimney using DirectVent Pro Pipe, please refer to the Direct Vent Installation Instructions for information concerning the proper procedure and restrictions of Direct Vent Pipe. Also, consult the appliance manufacturer for any height restrictions on the chimney.

Step 9. Depending upon the type of connection that your appliance has, it will require either the Co-Linear Flex Connectors or a Co-Axial to Co-Linear Appliance Connector in order to attach the Flex Liners to the appliance. For the Co-Linear connection, attach the Co-Linear Flex Connectors to the two outlets on the back of the appliance. See the appliance manufacturer's instructions for details. Connect the two Flex Liner runs to the Connectors using four sheet metal screws each. For the Co-Axial connection, twist lock the Co-Axial to Co-Linear Appliance Connector to the adaptor on the appliance. Attach the

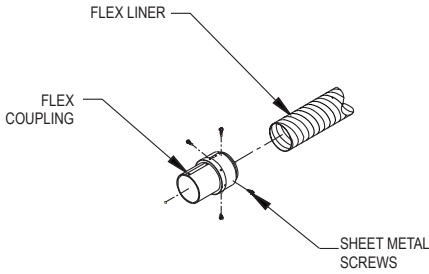


Figure 6

Flex Liners to the Appliance Connector using four sheet metal screws each. **(Figure 9)** In either case, make sure the Flex Liners do not sag behind the appliance. Finally, move the appliance into its appropriate place.

GENERAL MAINTENANCE

Conduct an inspection of the venting system semiannually. Recommended areas to inspect are as follows:

1. Check areas of the Venting System which are exposed to the elements for corrosion. These will appear as rust spots or streaks, and in extreme cases, holes. These components should immediately be replaced.
2. Remove the cap and remove any bird nests, or other foreign material.
3. Check for evidences of excessive condensate, such as water droplets forming in the liners, and subsequently dripping out at joints. Continuous condensate can cause corrosion of caps, liners, and fittings. It may be caused by having exterior portions of the system being exposed to cold weather.

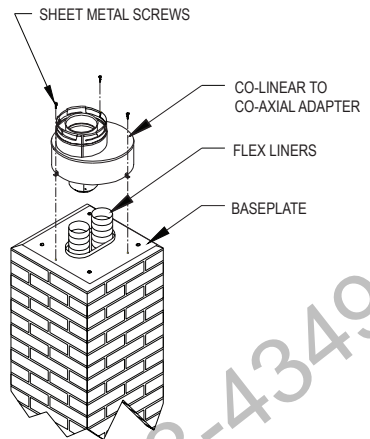


Figure 7

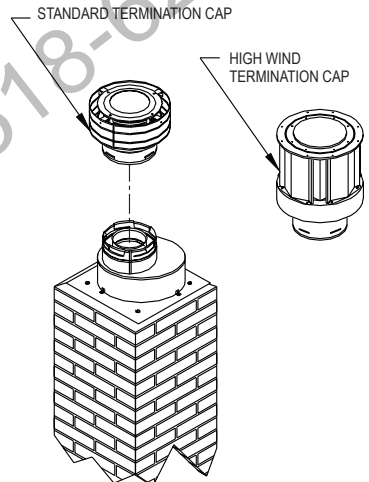


Figure 8

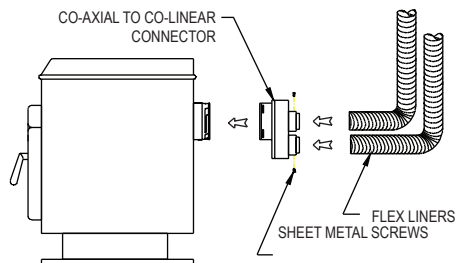
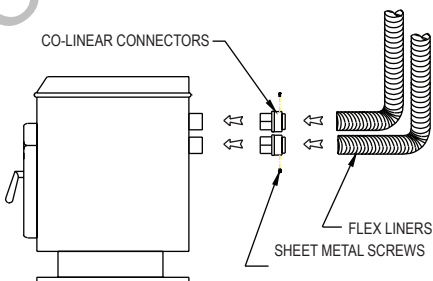


Figure 9

DURAVENT LIMITED LIFETIME WARRANTY

DuraVent, Inc. ("DuraVent") provides this limited lifetime warranty for all of its products to the original purchaser, with the exception of Ventinox (lifetime), DuraBlack (five years) and all Termination Caps (five years). Subject to the limitations set forth below, DuraVent warrants that its products will be free from substantial defects in material or manufacturing, if properly installed, maintained and used. This Warranty is non-transferable with the exception of Ventinox which is transferable from the original homeowner to the buyer of the home for a period of ten (10) years. This warranty does not cover normal wear and tear, smoke damage or damage caused by chimney fires, acts of God, or any product that was: (1) purchased other than from an authorized DuraVent dealer, retailer or distributor; (2) modified or altered; (3) improperly serviced, inspected or cleaned; or (4) subject to negligence or any use not in accordance with the printed materials provided with the product as determined by DuraVent. This limited lifetime warranty applies only to parts manufactured by DuraVent.

DuraVent provides the following warranties for its products: One Hundred Percent (100%) of the purchase price or MSRP at time of purchase, whichever is lower, for 15 years from the date of purchase, and Fifty Percent (50%) thereafter, except for the following limitations: Ventinox liner and components in wood, oil, wood pellet, and gas installations are warranted at One Hundred Percent (100%) for the lifetime of the original homeowner; Ventinox 316 liner and components for coal burning installations which are warranted One Hundred Percent (100%) for ten years; all Termination Caps and DuraBlack® are warranted at One Hundred Percent (100%) for five years, and at Ten Percent (10%) thereafter.

All warranty obligations of DuraVent shall be limited to repair or replacement of the defective product pursuant to the terms and conditions applicable to each product line. These remedies shall constitute DuraVent's sole obligation and sole remedy under this limited warranty. This warranty provides no cash surrender value. The terms and conditions of this limited lifetime warranty may not be modified, altered or waived by any action, inaction or representation, whether oral or in writing, except upon the express, written authority of an executive officer of DuraVent.

VENTINOX WARRANTY CONDITIONS

Liner and Component warranties contained herein are subject to the following conditions: (1) The Liner and Components must be installed according to DV's installation instructions; (2) The Liner and Components are used only to line or reline chimneys venting residential appliances for which the liner was intended; and (3) documented annual inspection of the Liner and Components and maintenance as deemed necessary, beginning one year after the date of installation and continuing throughout the warranty period, by a Nationally Certified Chimney Sweep or VENTINOX® installer. The Liner and Components warranty is further subject to compliance with the following requirements throughout the warranty period: The chimney must have a chimney cap and chemical chimney cleaners must not be used when cleaning the Liner or Components. Plastic-bristle flue cleaning brushes are recommended. Corn, biofuels, driftwood or other wood containing salt, preservative-treated lumber, plastic and household trash or garbage, or wood pellets containing such materials must not be burned in the appliance or fireplace. In case of a chimney fire, the chimney must be inspected and approved by a certified Chimney Sweep before reuse. After each annual inspection, maintenance, and cleaning, the certified Chimney Sweep must fill out and date the appropriate section of the warranty card provided with the chimney liner.

LIMITATIONS ON INTERNET SALES:

Notwithstanding any other terms or conditions of this limited lifetime warranty, DuraVent provides no warranty for the following specific products if such products are both: (a) purchased from an Internet seller; and (b) not installed by a qualified professional installer: DuraTech®, DuraPlus HTC®, PelletVent Pro®, FasnSeal®, and DuraVent's relining products including DuraLiner®, DuraFlex® 304, DuraFlex® 316, DuraFlex® Pro, DuraFlex® SW, and Ventinox®. For purposes of this warranty, a trained professional installer is defined as one of the following: licensed contractors with prior chimney installation experience, CSIA Certified Chimney Sweeps, NFI Certified Specialists, or WETT Certified Professionals.

DuraVent reserves the right to inspect defective product to determine if it qualifies for replacement under the terms of this limited lifetime warranty. All warranty claims must be submitted with proof of purchase. Labor and installation costs are not covered under this warranty. To obtain warranty service contact DuraVent promptly at DuraVent Warranty Service, 902 Aldridge Rd., Vacaville CA 95688, or call 800-835-4429.

WHERE LAWFUL, DuraVent DISCLAIMS ALL OTHER WARRANTIES, INCLUDING BUT NOT LIMITED TO IMPLIED WARRANTIES OF MERCHANTABILITY AND FITNESS FOR A PARTICULAR PURPOSE. IN NO EVENT WILL DuraVent BE LIABLE FOR INCIDENTAL, CONSEQUENTIAL, PUNITIVE OR SPECIAL DAMAGES OR DIRECT OR INDIRECT LOSS OF ANY KIND, INCLUDING BUT NOT LIMITED TO PROPERTY DAMAGE AND PERSONAL INJURY. DuraVent's ENTIRE LIABILITY IS LIMITED TO THE PURCHASE PRICE OF THIS PRODUCT. SOME STATES DO NOT ALLOW LIMITATIONS ON IMPLIED WARRANTIES, OR THE EXCLUSION OR LIMITATION OF INCIDENTAL OR CONSEQUENTIAL DAMAGES, SO THE ABOVE LIMITATIONS AND EXCLUSIONS MAY NOT APPLY TO YOU. THIS LIMITED WARRANTY GIVES YOU SPECIFIC LEGAL RIGHTS, AND YOU MAY ALSO HAVE OTHER RIGHTS THAT VARY FROM STATE TO STATE.

For the most up-to-date installation instructions, see www.duravent.com
REV 05.26.17

Manufactured in Vacaville CA and Albany NY

DuraVent®

Customer Service Support 800-835-4429 707-446-4740 FAX www.duravent.com

DirectVent Pro is a registered trademark of DuraVent, Inc.
All rights reserved, Made in the USA. ©2011, 2017

L952_820003171_Install Instructions_DirectVent Pro Chimney Liner_05-26-17_V2