



# I1200S Wood Insert

Owners & Installation Manual



[www.regency-fire.com](http://www.regency-fire.com)

Tested by:



*Installer:* Please complete the details on the back cover and leave this manual with the homeowner.

*Homeowner:* Please keep these instructions for future reference.

Thank-you for purchasing a  
**REGENCY FIREPLACE PRODUCT.**

The pride of workmanship that goes into each of our products will give you years of trouble-free enjoyment. Should you have any questions about your product that are not covered in this manual, please contact the **REGENCY DEALER** in your area.

Keep those **REGENCY FIRES** burning.

**SAFETY NOTE:** If this Insert is not properly installed, a house fire may result. For your safety, follow the installation instructions, contact local building or fire officials about restrictions and installation inspection requirements in your area.

**The authority having jurisdiction (such as municipal building department, fire department, fire prevention bureau, etc.) should be consulted before installation to determine the need to obtain a permit.**



**SAFETY LABEL**

Safety Label..... 4

**UNIT DIMENSIONS**

With standard flue adaptor ..... 5  
 With offset flue adaptor..... 6

**INSTALLATION**

Before Installing Your Insert..... 7  
 Chimney Specifications ..... 7  
 Fireplace Specifications..... 7  
 Masonry And Factory Built Fireplace Clearances ..... 8  
 How To Determine If Alternate..... 8  
 Floor Protection Materials Are Acceptable..... 8  
 Installing Your Insert ..... 9  
 Installation Into a Masonry Fireplace..... 10  
 Installation Into a Factory Built Fireplace..... 10  
 Stainless steel smoke deflector Installation..... 11  
 Faceplate, Trim & Optional ..... 12  
 Bottom Faceplate & Fan Support Installation ..... 12  
 Fan / Blower ..... 16  
 Door Handle ..... 17  
 Firebrick Assembly ..... 17  
 Draft Control ..... 17  
 Brick Flue Baffle & Secondary Air Tube Installation .... 17  
 Screen Door ..... 18

**OPERATING INSTRUCTIONS**

First Fire ..... 18  
 Fan Operation..... 19  
 Ash Disposal..... 19  
 Some Safety Guidelines ..... 19

**MAINTENANCE**

Creosote ..... 19  
 Maintenance Of Gold-plated Doors ..... 20  
 Door Gasket ..... 20  
 Door Latch Adjustment ..... 20  
 Glass Cleaning ..... 20  
 Glass Replacement ..... 20  
 Glass Removal ..... 20

**PARTS LIST**

Main Assembly ..... 21  
 Faceplates ..... 22  
 Firebrick..... 23

**WARRANTY**

Warranty ..... 27




<http://oee.nrcan.gc.ca/residential/personal/retrofit-homes/retrofit-qualify-grant.cfm>


# SAFETY LABEL

This is a copy of the label that accompanies each **11200S Wood Insert**. We have printed a copy of the contents here for your review.

**NOTE:** Regency units are constantly being improved. Check the label on the unit and if there is a difference, the label on the unit is the correct one.




LISTED FACTORY BUILT FIREPLACE INSERT  
CERTIFIED FOR USE IN CANADA AND U.S.A.  
MODEL: **11200S**  
TESTED TO:  
ULC S628-M93 / UL 1482-1998 / ULC S627-00 / UL 737-2000



**DO NOT REMOVE THIS LABEL**

**326**

**CAUTION**



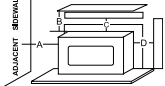
**HOT WHILE IN OPERATION  
DO NOT TOUCH. KEEP CHILDREN,  
CLOTHING AND FURNITURE AWAY.  
CONTACT MAY CAUSE SKIN BURNS.  
READ ABOVE INSTRUCTIONS.**

---

INSTALL AND USE ONLY IN ACCORDANCE WITH THE MANUFACTURER'S INSTALLATION AND OPERATING INSTRUCTIONS. INSTALL AND USE ONLY IN MASONRY FIREPLACE OR FACTORY BUILT FIREPLACE. CONTACT LOCAL BUILDING OR FIRE OFFICIALS ABOUT RESTRICTIONS AND INSTALLATION INSPECTION IN YOUR AREA.

---

MINIMUM CLEARANCES TO COMBUSTIBLE MATERIALS (MEASURED FROM INSERT BODY)

ADJACENT SIDEWALL A) 15in / 380mm MANTLE B) 20in / 510mm TOP FACING C) 14in / 355 mm SIDE FACING D) 7.375in / 185mm		INSTALL ONLY ON A NON-COMBUSTIBLE HEARTH RAISED (F) 1.5IN / 38MM ABOVE AN ADJACENT COMBUSTIBLE FLOOR. COMBUSTIBLE FLOOR MUST BE PROTECTED BY NON-COMBUSTIBLE MATERIAL EXTENDING (E) 16 IN / 405MM TO FRONT AND (G) 8IN / 205MM TO SIDES FROM FUEL DOOR.
--	---	---

---

COMPONENTS REQUIRED FOR INSTALLATION: 5.5" (140mm) or 6" (152mm) STAINLESS STEEL LINER. STANDARD ADAPTOR (171-932) OR OFFSET ADAPTOR (171-936). OPTIONAL COMPONENT: FAN (170-915), ELECTRICAL RATING: VOLTS 115, 60 HZ, 0.6 AMPS, SCREEN DOOR (846-101) DO NOT REMOVE BRICKS OR MORTAR IN MASONRY FIREPLACE. FOR USE WITH SOLID WOOD FUEL ONLY. DO NOT USE GRATE OR ELEVATE FIRE. BUILD WOOD FIRE DIRECTLY ON HEARTH. OPERATE WITH FEED DOOR CLOSED, OPEN TO FEED FIRE ONLY. REPLACE GLASS ONLY WITH CERAMIC GLASS (5MM). INSPECT AND CLEAN CHIMNEY FREQUENTLY. UNDER CERTAIN CONDITIONS OF USE CREOSOTE BUILDUP MAY OCCUR RAPIDLY. DO NOT OVERFIRE, IF INSERT GLOWS YOU ARE OVER-FIRING.	MANUFACTURED BY: FPI FIREPLACE PRODUCTS INTERNATIONAL LTD. 6988 VENTURE ST. DELTA, BC V4G 1H4 918-666b
--	---

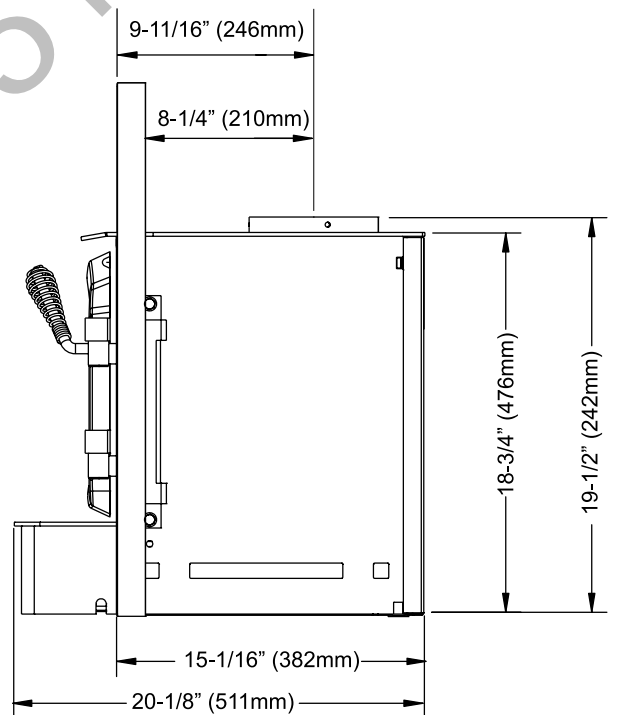
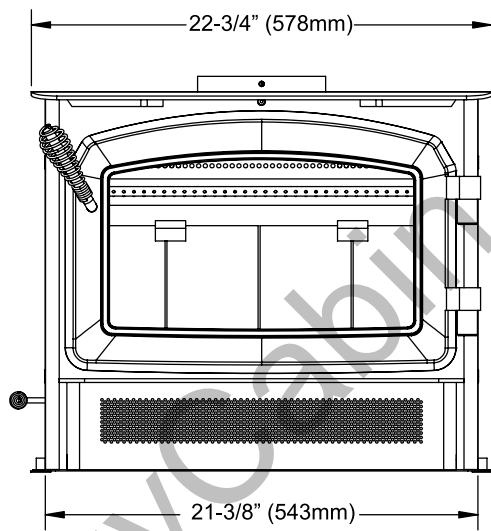
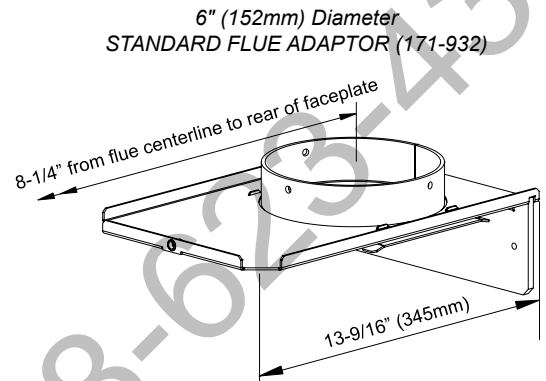
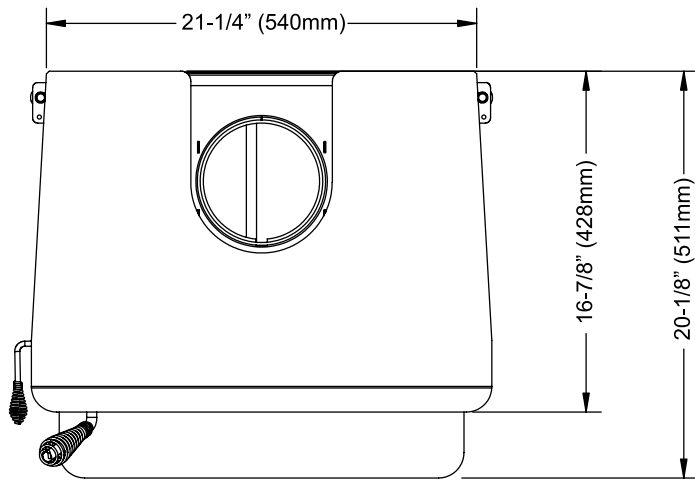
---

DATE OF MANUFACTURE	2015	2016	2017	JAN	FEB	MAR	APR	MAY	JUN	JUL	AUG	SEPT	OCT	NOV	DEC	UNITED STATES ENVIRONMENTAL PROTECTION AGENCY CERTIFIED TO COMPLY WITH JULY 1990, PARTICULATE EMISSION STANDARDS.
MADE IN CANADA	<input type="radio"/>	<input type="radio"/>	<input type="radio"/>	<input type="checkbox"/>	<input type="checkbox"/>	<input type="checkbox"/>	<input checked="" type="checkbox"/>	<input type="checkbox"/>	<input type="checkbox"/>	<input type="checkbox"/>	<input type="checkbox"/>	<input type="checkbox"/>	<input type="checkbox"/>	<input type="checkbox"/>	<input type="checkbox"/>	

(Duplicate Serial #) **326**

CozyCabin.com

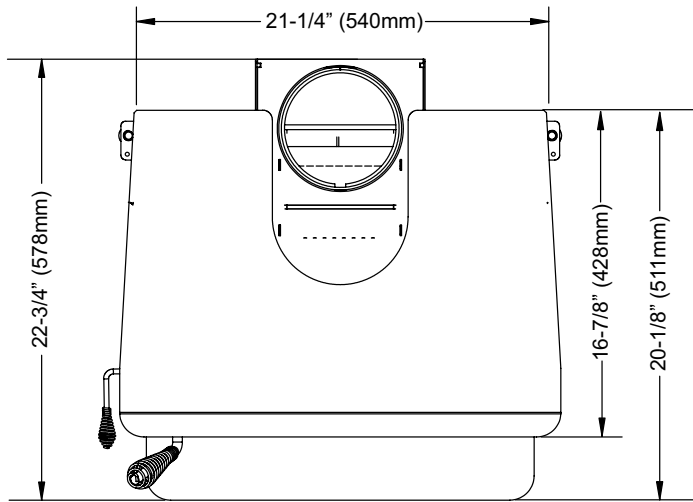
WITH STANDARD FLUE ADAPTOR



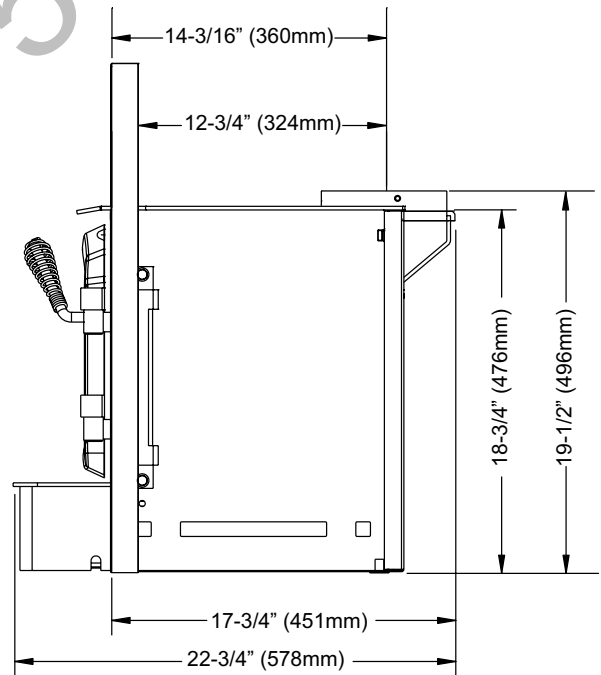
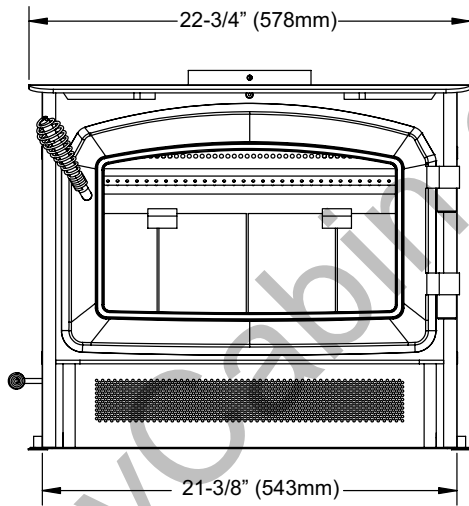
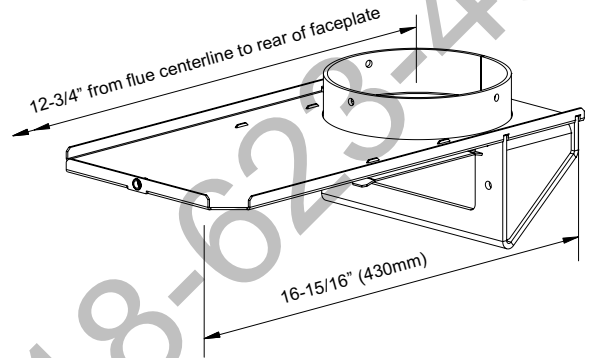
Regency Inserts are designed to use either a 5.5" (140mm) or 6" (152mm) flue.

# DIMENSIONS

## WITH OFFSET FLUE ADAPTOR



6" (152mm) Diameter  
OFFSET FLUE ADAPTOR (171-936)



Regency Inserts are designed to use either a 5.5" (140mm) or 6" (152mm) flue.

Regency Inserts are constructed with the highest quality materials and assembled under strict quality control procedures that ensure years of trouble free and reliable performance.

It is important that you read this manual thoroughly and fully understand the installation and operating procedures. Failure to follow instructions may result in property damage, bodily injury or even death. The more you understand the way your Regency Insert operates, the more enjoyment you will experience from knowing that your unit is operating at peak performance.

## BEFORE INSTALLING YOUR INSERT

- 1) Read all instructions before installing and using your fireplace insert. Install and use only in accordance with manufacturer's installation and operating instructions.
- 2) **Check your local building codes - Building Inspection Department. You may require a permit before installing your insert. Be aware that local codes and regulations may override some items in the manual.**

**WARNING: Careless installation is the major cause of safety hazard. Check all local building and safety codes before installation of unit.**

- 3) Notify your home insurance company that you plan to install a fireplace insert.
- 4) Your fireplace insert is heavy and requires two or more people to move it safely. The insert and surrounding structure can be badly damaged by mishandling.
- 5) If your existing fireplace damper control will become inaccessible once you have installed your Regency Insert, you should either remove or secure it in the open position.
- 6) Inspect your fireplace and chimney prior to installing your insert to determine that it is free from cracks, loose mortar or other signs of damage. If repairs are required, they should be completed before installing your insert. Do not remove bricks or mortar from your masonry fireplace.
- 7) Do not connect the insert to a chimney flue servicing another appliance or an air distribution duct.

Emissions from burning wood or gas could contain chemicals known to the State of California to cause cancer, birth defects or other reproductive harm.

## CHIMNEY SPECIFICATIONS

Before installing, check and clean your chimney system thoroughly. If in doubt about its condition, seek professional advice. Your Regency Insert is designed for installation into a masonry fireplace that is constructed in accordance with the requirements of "The Standard for Chimneys, Fireplaces, Vents, and Solid Fuel Burning Appliance", N.F.P.A. 211, the National Building Code of Canada, or the applicable local code requirements.

The appliance, when installed, must be electrically grounded in accordance with local codes or, in the absence of local codes, with the National Electrical Code, ANSI/NFPA 70, or the Canadian Electrical code, CSA C22.1.

Regency Inserts are designed to use either a 5.5" (140mm) or 6" (152mm) flue.

This insert must be connected to a code-approved masonry chimney or listed factory-built fireplace chimney with a direct flue connector into the first chimney liner section. The chimney size should not be less than or more than three times greater than the cross-sectional area of the flue collar.

### Requirements for Installing Solid-fuel Inserts in Factory-built Fireplaces.

- 1) The insert must be tested and meet the requirements of UL 1482 (U.S.) and/or ULC S628 (Canada) when tested in a masonry fireplace built per ULC S628.
- 2) The factory-built fireplace must be listed per UL 127 or ULC S610.
- 3) Clearances obtained from the masonry fireplace tests are also relevant for installation in factory-built fireplaces.
- 4) Installation must include a full height listed chimney liner type HT requirements (2100 degree F.) per UL 1777 (U.S.) or ULC S635 (Canada). The liner must be securely attached to the insert flue collar and the chimney top.
- 5) Means must be provided to prevent room air passage to the chimney cavity of the fireplace. This may be accomplished by sealing the damper area around the chimney liner, or sealing the fireplace front.

- 6) Alteration of the fireplace in any manner is not permitted with the following exceptions;
  - a. external trim pieces which do not affect the operation of the fireplace may be removed providing they can be stored on or within the fireplace for re-assembly if the insert is removed.
  - b. the chimney damper may be removed to install the chimney liner.
- 7) Circulating air chambers (i.e. in a steel fireplace liner or metal heat circulator) shall not be blocked.
- 8) Means must be provided for removal of the insert to clean the chimney flue.
- 9) Inserts that project in front of the fireplace must be supplied with appropriate supporting means.
- 10) Installer must mechanically attach the supplied label to the inside of the firebox of the fireplace into which the insert is installed.

**"WARNING:** This fireplace has been converted for use with a wood insert only and cannot be used for burning wood or solid fuels unless all original parts have been replaced, and the fireplace re-approved by the authority having jurisdiction."

## FIREPLACE SPECIFICATIONS

Your fireplace opening requires the following minimum sizes:

Height:	19" (483mm)
Width:	23" (584mm)
Depth:	
(w/ standard flue adaptor)	13-3/4" (349mm)
(w/ offset flue adaptor)	16-1/2" (419mm)

Two faceplates are available to seal the fireplace opening:

Standard	38" W x 26" H
Oversize	44" W x 30" H



## MASONRY AND FACTORY BUILT FIREPLACE CLEARANCES

The minimum required clearances to combustible materials when installed into a masonry or factory built fireplace are listed below.

Unit	Adjacent Side Wall (to Side) A	Mantle ** (to Top) B	Top Facing (to Top of Unit) C	Side Facing (to Side of Unit) D	Minimum Hearth Extension* E	Minimum Hearth Thickness F	Minimum Hearth Side Extension* G	From Top of Unit H
I1200S	15" (381mm)	20" (508mm)	14" (356mm)	7-3/8"(187mm)	16" (406mm)	1.5" (38mm)	8" (203mm)	18-3/4"(476mm)

Side and Top facing is a maximum of 1.5" thick. Floor protection must non-combustible, insulative material with an R value of 1.1 or greater.

\* If the hearth extension is flush with the floor (F) it must extend 19.5" in front of the body face (E).

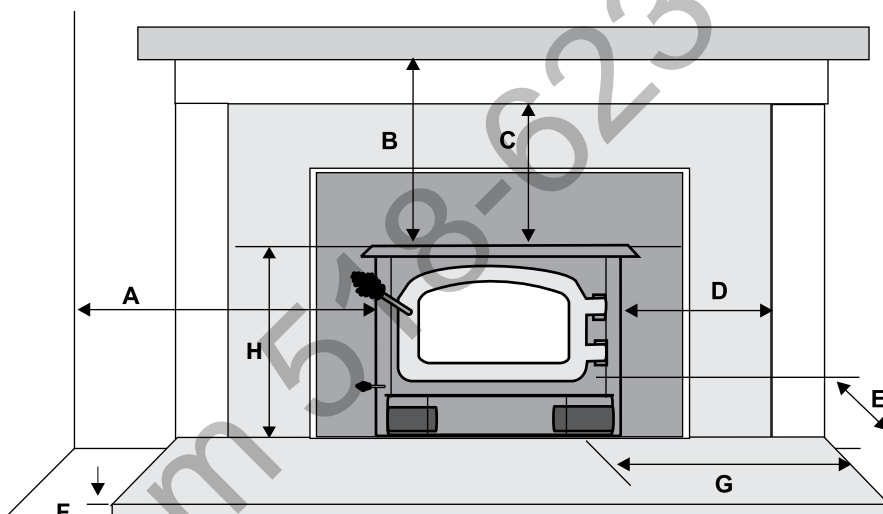
**Note:** Hearth Extension Width (G) is measured from edge of fuel door to side of hearth.

\*\* A non-combustible mantel may be installed at a lower height if the framing is made of metal studs covered with a non-combustible board.

\*\*\* Mantel depth, maximum of 10" (254mm).

Thermal floor protection is not required if the unit is raised 3.5" minimum (measured from the bottom of the stove). However, standard ember floor protection is required. It will need to be a non-combustible material that covers 16" (406 mm) in the US and 18" (450 mm) in Canada to the front of the unit and 8" (200 mm) to the sides.

If the unit is not raised, thermal floor protection required is 18" (450 mm) in the US and Canada.



Clearance diagram for installations

### Floor Protection

Please check to ensure that your floor protection and hearth will meet the standards for clearance to combustibles. Your hearth extension must be made from a non-combustible material.

## HOW TO DETERMINE IF ALTERNATE FLOOR PROTECTION MATERIALS ARE ACCEPTABLE

The specified floor protector should be 3/8" (18mm) thick material with a K - factor of 0.84.

The proposed alternative is 4" (100mm) brick with a C-factor of 1.25 over 1/8" (3mm) mineral board with a K-factor of 0.29.

### Step (a):

Use formula above to convert specification to R-value.  
 $R = 1/k \times T = 1/0.84 \times .75 = 0.893.$

### Step (b):

Calculate R of proposed system.  
 4" brick of C = 1.25, therefore  
 $R_{brick} = 1/C = 1/1.25 = 0.80$   
 1/8" mineral board of k = 0.29, therefore  
 $R_{min.bd.} = 1/0.29 \times 0.125 = 0.431$   
 Total R =  $R_{brick} + R_{mineral\ board} = 0.8 + 0.431 = 1.231.$

### Step (c):

Compare proposed system R of 1.231 to specified R of 0.893. Since proposed system R is greater than required, the system is acceptable.

### DEFINITIONS

#### Thermal Conductance:

$$C = \frac{Btu}{(hr)(ft^2)(^{\circ}F)} = \frac{W}{(m^2)(K)}$$

#### Thermal Conductivity:

$$k = \frac{(Btu)(inch)}{(hr)(ft^3)(^{\circ}F)} = \frac{W}{(m)(K)} = \frac{Btu}{(hr)(ft)(^{\circ}F)}$$

#### Thermal Resistance:

$$R = \frac{(ft^2)(hr)(^{\circ}F)}{Btu} = \frac{(m^2)(K)}{W}$$



## INSTALLING YOUR INSERT

**SAFETY NOTE:** The insert is very heavy and will require two or three people to move it into position. The insert can be made a little lighter by removing the cast iron door by opening it and lifting it off its hinges. Be sure to protect your hearth extension with a heavy blanket or carpet scrap during the installation.

**NOTE:** You will be required to purchase either the standard or offset 6" diameter (152mm) flue adaptor that is best suited for the specific installation.

**List of Tools needed;**

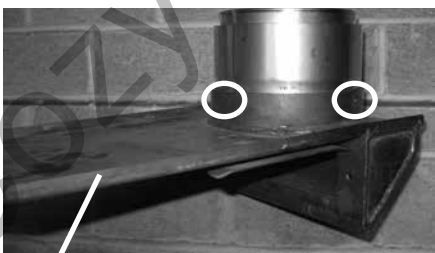
- Pull Rod (included with insert)
- 1/2" socket / ratchet
- 3/8" open face wrench

- 1) Install flex liner into existing chimney as per liner manufacturer's specifications. See diagram 1.
- 2) Install the required flue adaptor onto the end of the flex liner. Secure the adaptor using 3 screws - 1 on the front, left and right side as shown in diagram 2.

Alignment of the flue adaptor can be critical during the install, it is recommended that the flex liner be left as compressed as possible. Before inserting the unit the adaptor should hang, when level, slightly above the required height.



Diagram 1 Flex Liner



Flue Adaptor Diagram 2

Secure adaptor using 3 screws - 1 in the front and 1 each on the left and right side.

- 3) Install the unit by first setting the rear of the unit into the fireplace. See diagram 3. Ensure that the unit is centered in the existing fireplace and lined up with the flue adaptor.



Diagram 3

- 4) Slide the unit back until the flue adaptor is slightly engaged.
- 5) At this point it is recommended to level the unit and ensure that the leveling bolts rest on the surface of the fireplace. This will keep the adaptor from binding as the unit is slid into position.
- 6) Insert the provided pull rod through the hole in the top center of the unit. Secure the threaded end into the flue adaptor as shown in diagram 4. While sliding the unit into place pull on the rod to ensure that the flue adaptor is properly engaged. See diagram 5.

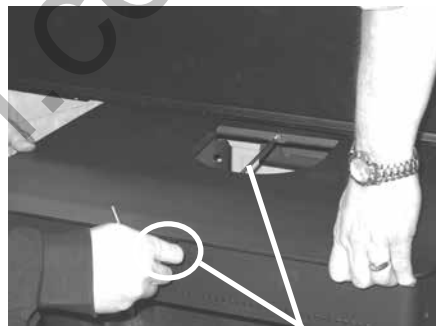


Diagram 4 Pull Rod



Pull Rod In Place Diagram 5

- 7) Ensure that the unit is still level.
- 8) To complete the installation and to ensure a secure fit and connection of the flue adaptor to the insert, it is essential that the two bolts, flat washers and lock washers (supplied with packaged manual) be installed and tightened using a 1/2" socket as shown in diagram 6. This prevents the possibility of creosote drip and exhaust gas leakage.

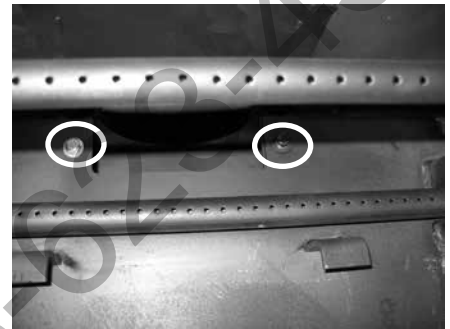
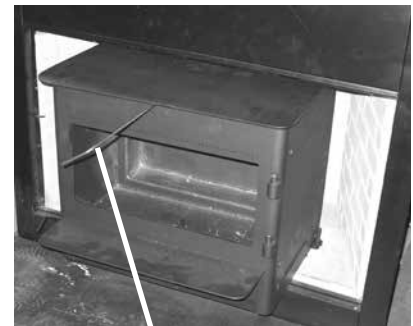


Diagram 6

- 9) Remove the pull rod from the top center of the fireplace. See diagram 7.



Pull Rod Diagram 7

**NOTE:** The pull rod should not be thrown away. It should be kept if the stove is ever needed to be removed from the fireplace.

- 10) Re-install the door if removed prior to installation.

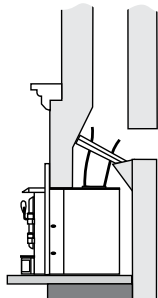
## INSTALLATION INTO A MASONRY FIREPLACE

When referencing installation or connection to masonry fireplaces or chimneys, the masonry construction must or shall be code complying.

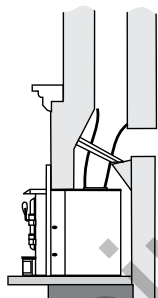
The insert must be installed as per the requirements of your local inspection authority. Three methods of flue connection are acceptable in most areas, these include:

- 1) Positive flue connection, where a large blocking plate and a short connector pipe is used.
- 2) Direct flue connection, where a smaller blocking plate and a connector pipe to the first flue liner tile is used.
- 3) Full flue liner, where a stainless steel rigid or flexible liner pipe is routed from the insert outlet collar to the top of the chimney.

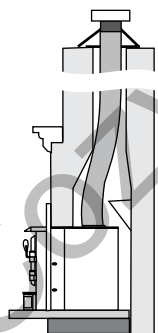
Regency highly recommends the use of a full liner as the safest installation and provides the most optimum performance. Your retailer should be able to help you decide which system would be the best for your application.



1) Positive Flue Connection with Cleanout



2) Direct Flue Connection with Cleanout



3a) Full Flue Liner (No Cleanout Required)

**In Canada this fireplace insert must be installed with a continuous chimney liner of 5.5" (140mm) or 6" (152mm) diameter extending from the fireplace insert to the top of the chimney. The chimney liner must conform to the Class 3 requirements of CAN/ULC-S635 or CAN/ULC-S640, Standard for Lining Systems for New Masonry Chimneys.**

**Note: A clean-out door is sometimes required, by your inspector, to be installed when either the Positive flue connection or Direct flue connection method is used.**

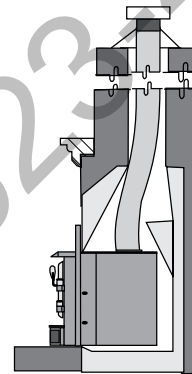
The use of one of the connection methods listed on this page not only increases the safety of your insert by directing the hot gases up the flue, but will also help increase the unit's efficiency and decrease creosote deposits in the chimney.

When a connected flue or liner is in use, the insert is able to "breathe" better by allowing a greater draft to be created. The greater draft can decrease problems such as, difficult start-ups, smoking out the door, and dirty glass.

## INSTALLATION INTO A FACTORY BUILT FIREPLACE

- 1) When installed in a factory built fireplace, a full stainless steel rigid or flexible flue liner is mandatory, for both safety and performance purposes. When a flue or liner is in use, the insert is able to breathe better by allowing a greater draft to be created. The greater draft can decrease problems such as, difficult start-ups, smoking out the door, and dirty glass.
- 2) In order to position the flue liner, the existing rain cap must be removed from your chimney system. In most cases the flue damper should also be removed to allow passage of the liner.
- 3) In most cases opening the existing spark screens fully should give enough room for the insert installation. If it does not, remove and store.

- 4) If the floor of your fireplace is below the level of the fireplace opening, adjust the insert's levelling bolts to accommodate the difference. When additional shimming is required, use non-combustible masonry or steel shims.
- 5) Measure approximately the alignment of the flue liner with the position of the smoke outlet hole on the insert to check for possible offset. If an offset is required, use the appropriate offset adaptor in your installation.



- 6) Once the above items have been checked, slide your insert into position after first positioning and securing the flue liner to the offset adaptor.

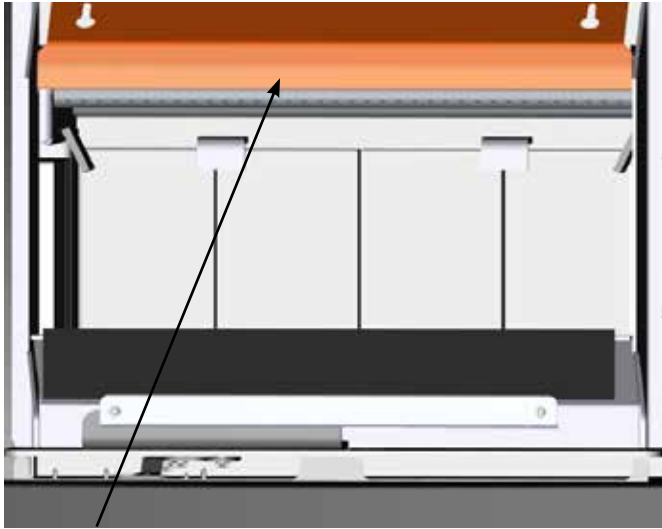
Attach the rod to the adaptor and slide the adaptor onto the unit as the unit is slid into position. Ensure a positive connection.

Secure the adaptor to the unit by using 2 bolts, flat washers, lock washers and one screw in the front.

Re-install raincap at completion of installation.

## STAINLESS STEEL SMOKE DEFLECTOR ADJUSTMENT / REPLACEMENT

The stainless smoke deflector is located in the upper front area of the firebox. The deflector is held in place with 2 bolts. Prior to the first fire, ensure deflector is seated properly and secured with 2 hand tightened bolts.



Smoke deflector

*Smoke deflector is installed through the door opening in location shown in diagram*



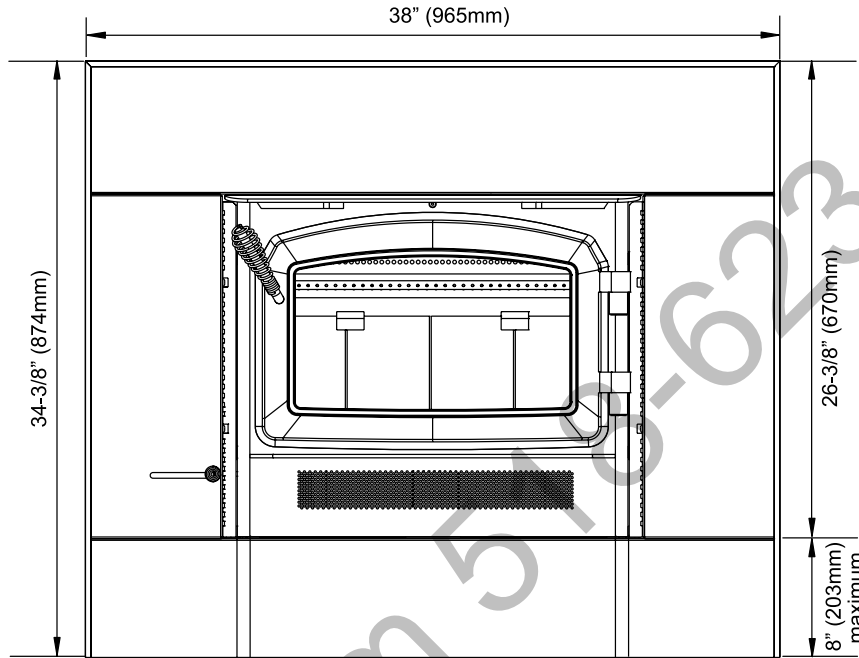
*Ensure deflector is seated so bolts are situated at the top of the keyhole before tightening.*

To replace the deflector, loosen off both bolts and slide deflector upward and out. Install new deflector and hand tighten bolts. Ensure positive location of the deflector prior to hand tightening.

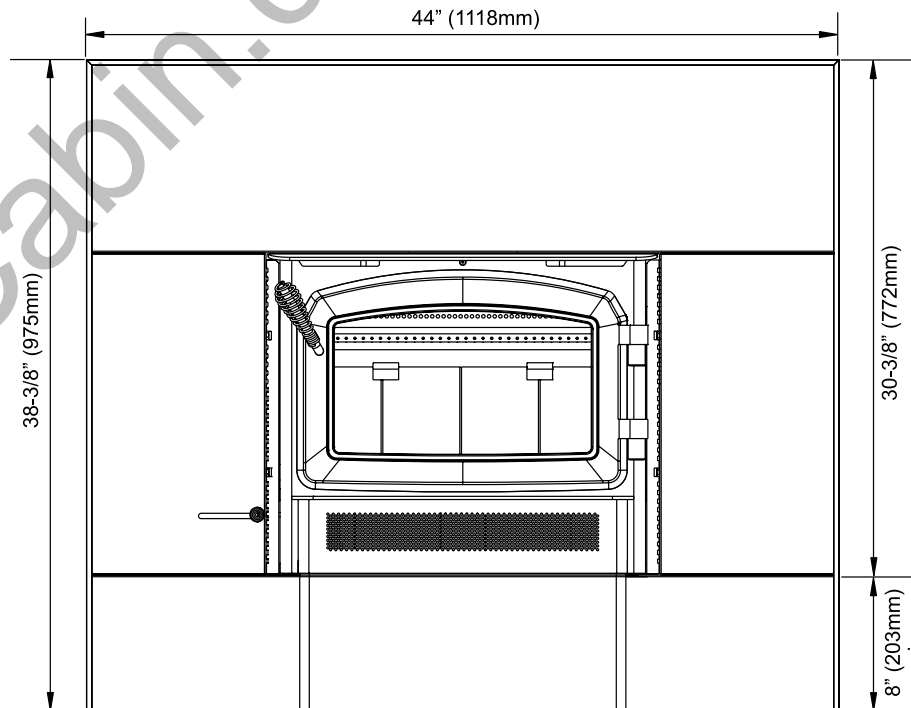
**WARNING:** Operation of the unit with out proper installation of smoke deflector will void warranty.

### FACEPLATE, TRIM & OPTIONAL BOTTOM FACEPLATE & FAN SUPPORT INSTALLATION

**Regular Faceplate Dimensions:**



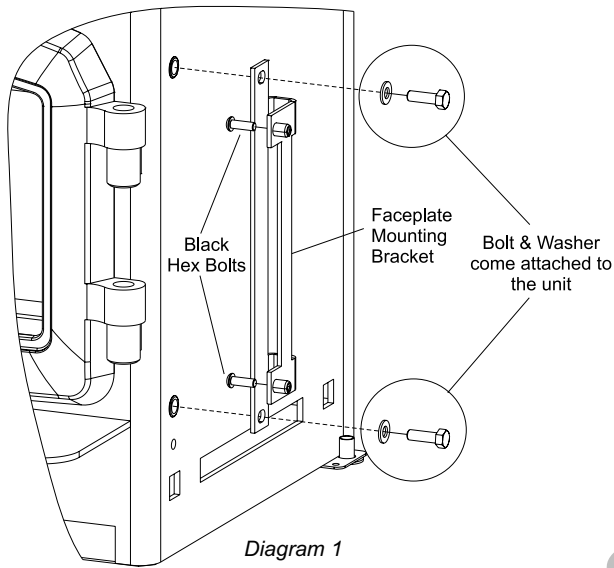
**Oversize Faceplate Dimensions:**



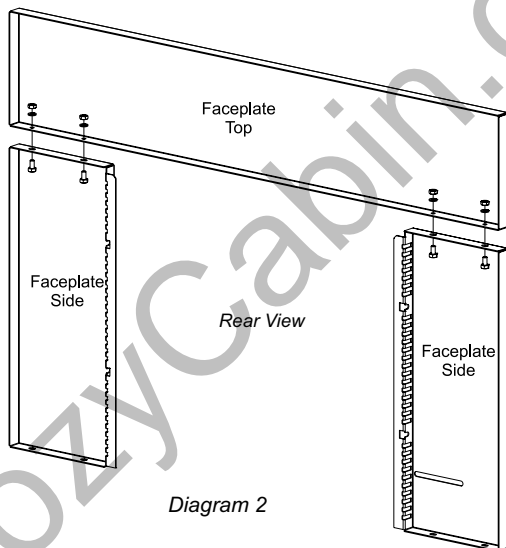
## Regular/Oversize Faceplate Installation:

- 1) Thread the black 1/4" x 3/4" long hex bolts into the faceplate mounting bracket as shown in Diagram 1, leaving them approximately 1/4" out.
- 2) Fasten the faceplate mounting bracket to the side of the insert using 2 bolts for the top and bottom, see Diagram 1. Repeat for other side.

**NOTE:** The bolt and washer come attached to the side of the insert and need to be removed and reused for fastening.



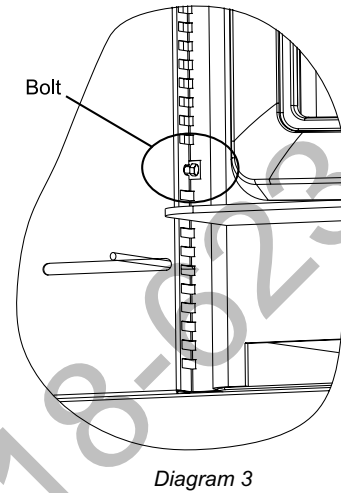
- 3) Assemble the faceplate sides and top using the 1/4" x 1/2" long hex bolts, lock washers and nuts provided. See Diagram 2.



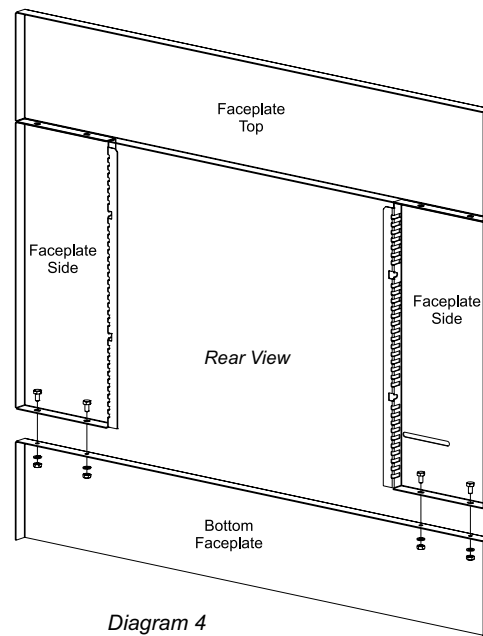
**If the insert is going to sit on the hearth proceed to "Faceplate Trim Installation" (step 8) otherwise continue on to "Bottom Faceplate Installation" (step 4).**

## Optional Regular/Oversize Bottom Faceplate Installation:

- 4) Position the assembled faceplate side and top to the insert. Ensure to align the draft rod into the opening of the faceplate as well as the side faceplate slots with the bolts in the mounting brackets as shown in Diagram 3.



- 5) Measure the height between the hearth and the bottom of the side faceplate.
- 6) Cut the bottom faceplate to the measured height using a metal cutting blade.
- 7) Remove the faceplate assembly from the insert and attach the cut bottom faceplate to the faceplate sides using the 1/4" x 1/2" long hex bolts, lock washers and nuts provided as shown in Diagram 4.



## Regular/Oversize Faceplate Trim Installation:

(Black Trim included with Regular/Oversize Faceplate or Optional Brass Trim)

- 8) Assemble the left and right side trim to the top trim using the trim clips provided as shown in Diagram 5.

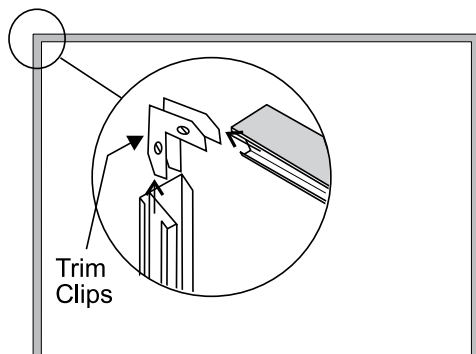


Diagram 5

- 9) Fit the trim assembly over the faceplate assembly. See Diagram 6.

- 10) Drill two 5/32" diameter holes through the trim and side panels and screw the trim to the panels using the self tapping screws provided as shown in Diagram 6.

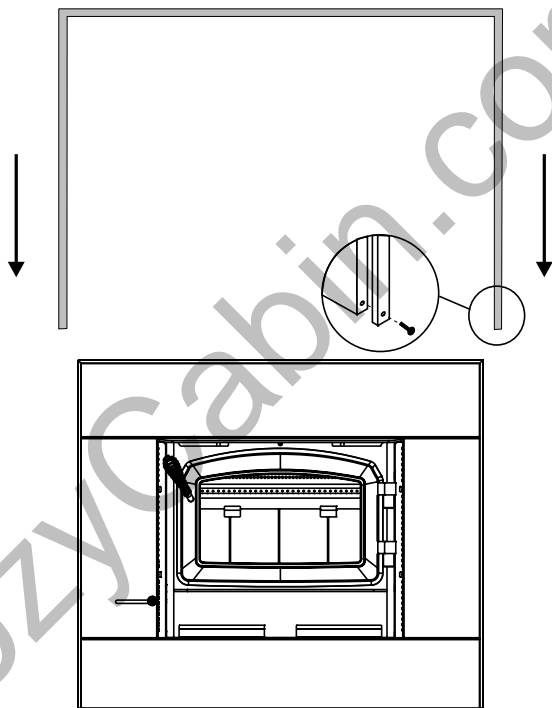


Diagram 6:  
Shown with Optional Bottom Faceplate

- 11) Mount the completed faceplate / trim assembly to the insert. Ensure to align the side faceplate slots with the hex bolts in the mounting brackets and tighten to secure in place.

## Fan Installation:

- 12) Install the fan assembly to ash lip of insert as shown in Diagram 7.

- a) Align the fan with the offset clips on the bottom of the ashlip.
- b) Slide the supports into the clips. The tension holding the clips in place may be adjusted by increasing or decreasing the offset spacing of the clips.
- c) Ensure that the power cord is not in contact with any hot stove surfaces.

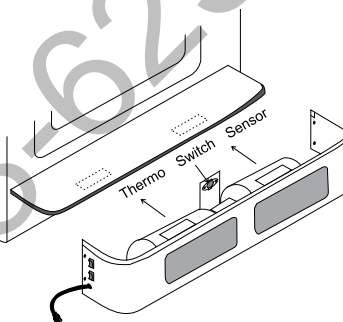


Diagram 7

## Optional Fan Support / Bottom Faceplate Installation:

- 13) To install the optional fan support, measure the distance between the hearth and the bottom surface of the fan housing as shown in Diagram 8.

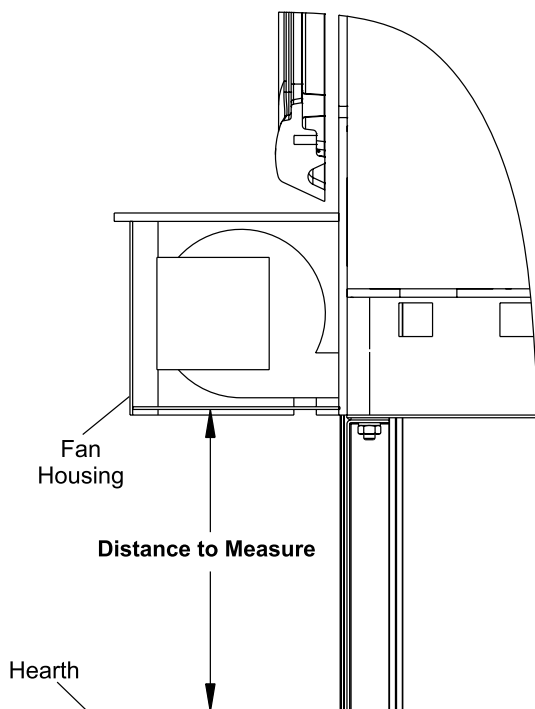


Diagram 8: Side View

- 14) Cut the bottom edge of the fan support and bottom faceplate (using a metal cutting blade) to the length measured in step 13.
- 15) Remove the fan assembly from the ash lip of the insert and position the fan support to the bottom of the fan assembly.
- 16) Drill 4 x 5/32" holes to the underside of the fan assembly using the holes in the fan support as a guide. See Diagram 9.
- 17) Secure the fan support to the fan assembly using 4 self tapping screws. See Diagram 9.
- 18) Secure the bottom faceplate to the 3-sided faceplate using the 4 supplied bolts/washers.
- 19) Discard both side trims that were included with the regular/oversize faceplate and replace with the new extended trims supplied with the fan support/bottom faceplate. Cut to desired length.
- 20) Fit the trim assembly over the faceplate assembly. See Diagram 6.
- 21) Drill two 5/32" diameter holes through the trim and side panels and screw the trim to the panels using the self tapping screws provided as shown in Diagram 6.
- 22) Re-attach the fan/fan support assembly to the ash lip of the insert.

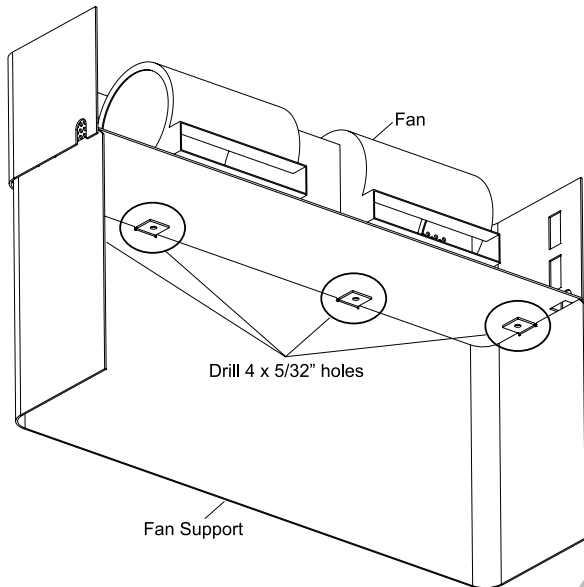
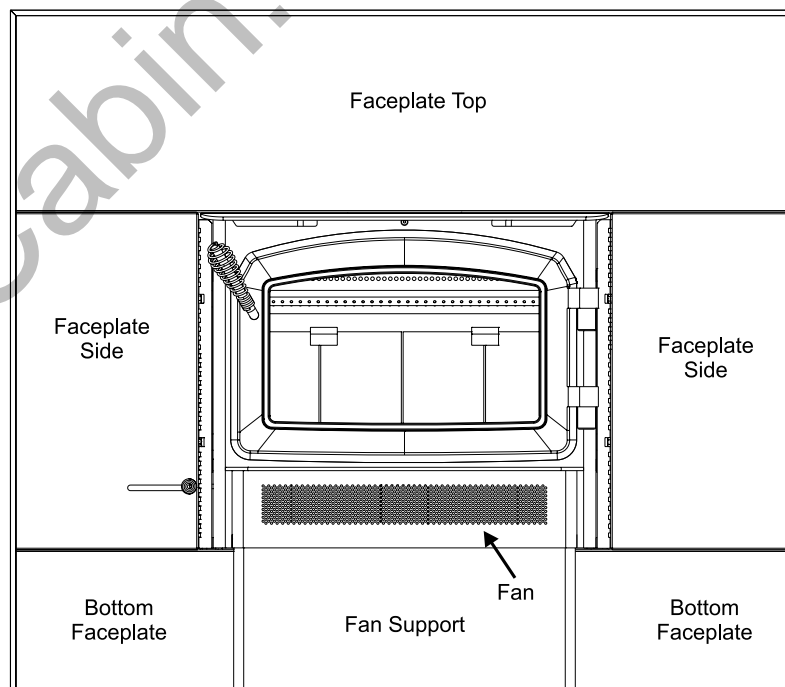


Diagram 9: Rear / Bottom View

## Completed Faceplate Assembly





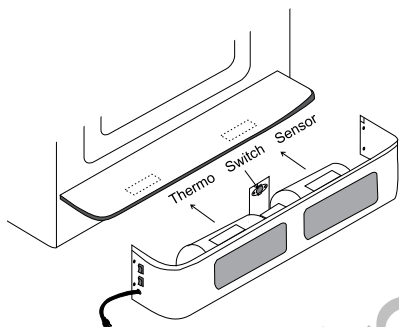
Installer: Please record unit serial number here before installing blower.

Serial No. \_\_\_\_\_

## FAN / BLOWER

Your fan should only be installed once the unit is in place in order to prevent any damage to the fan.

- 1) Align the fan support with the offset clip on the bottom of the ashlip.
- 2) Slide the supports into the clips. The tension holding the clips in place may be adjusted by increasing or decreasing the offset spacing of the clips.
- 3) Ensure that the power cord is not in contact



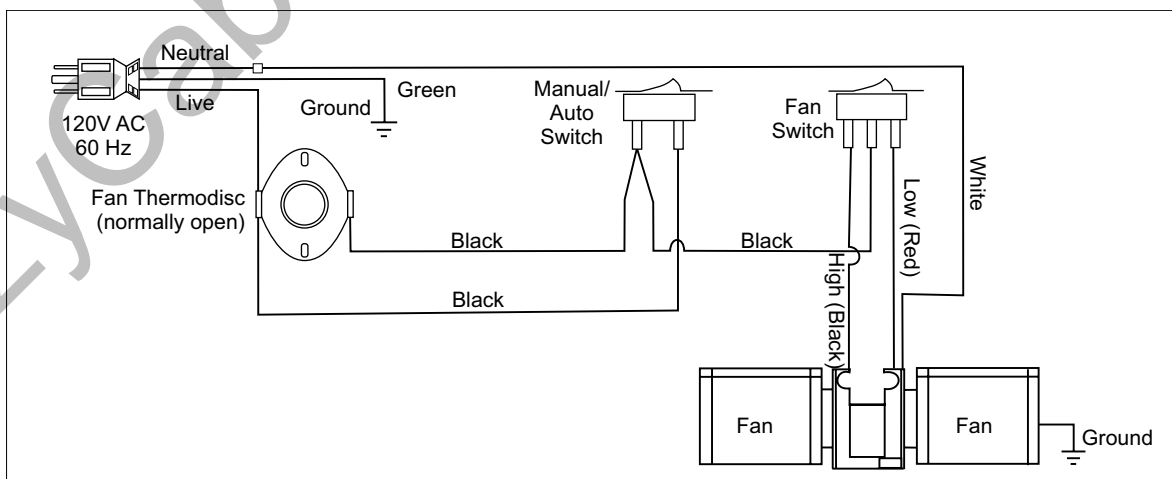
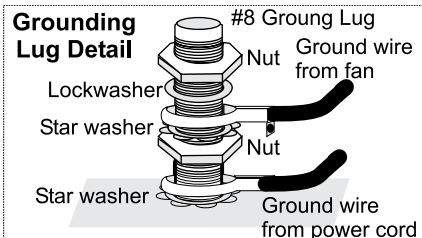
with any hot stove surfaces.

**Do not turn fan ON until your insert has reached operating temperature or at least 30 minutes after starting fire.**

**CAUTION: Label all wires prior to disconnection when servicing controls. Wiring errors can cause improper and dangerous operation.**

### WARNING:

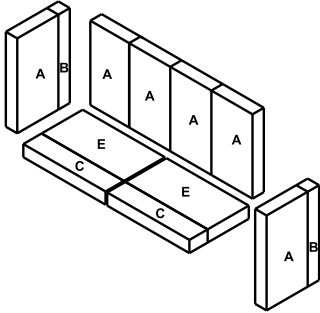
**Electrical Grounding Instructions**  
This appliance is equipped with a three pronged (grounding) plug for your protection against shock hazard and should be plugged directly into a properly grounded three-prong receptacle. Do not cut or remove the grounding prong from this plug.



Blower / Fan Wiring Diagram

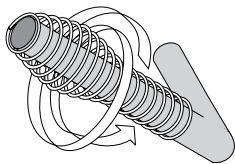
## FIREBRICK ASSEMBLY

Firebrick is included to extend the life of your insert and radiate heat more evenly. Check to see that all firebricks are in their correct positions and have not become misaligned during shipping.



## DOOR HANDLE

Attach spring handle by rotating counter clockwise onto rod. Ensure that the rod fits into the entire length of the spring handle.

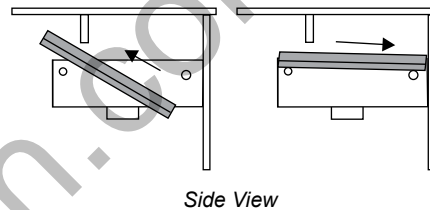


## BRICK FLUE BAFFLE & SECONDARY AIR TUBE INSTALLATION

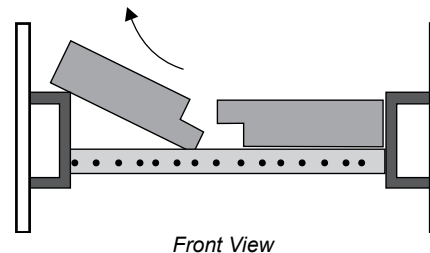
The flue baffle system located in the upper area of the firebox is removable to make cleaning your chimney system easier. The brick baffles must be installed prior to your first fire. **Smoke spillage and draft problems may occur if the baffles are improperly positioned.** Check the position of the brick baffles on a regular basis as they can be dislodged if too much fuel is forced into the firebox.

- 1) If the two air tubes are installed continue on to Step 2), if not, follow the instructions below. Install the air tube into the holes in the side channels. The notch goes on the right hand side with the air holes facing toward the door. Slide the tube into the left hand side, as far as possible and then bring it back into the hole on the right hand side until it locks into position. If the tube will not slide in easily simply use a pair of vise grips or pliers and tap it into place with a hammer. A tighter fit will ensure the tube will not move when the unit is burning.

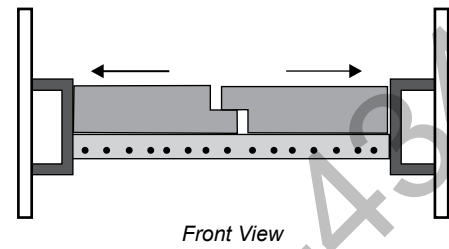
- 2) Slide the left baffle brick over the front air tube and then slide it back over the rear air tube.



- 3) Tilt the left baffle brick up on top of the side channel and it will leave enough room to position the right baffle brick in the same manner as Step 1) above. Then reposition the left baffle brick flat on the air tube.



- 4) Important: push both baffle bricks so they are tight against the side walls and to the back.

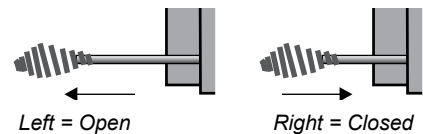
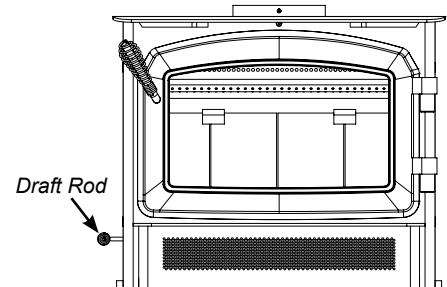


**Note:** When getting the chimney cleaned, remove the baffle bricks for access to the flue, then replace them when cleaning is completed.

## DRAFT CONTROL

Before establishing your first fire, it is important that you fully understand the operation of your draft control. The draft rod is on the left side of the Insert and it controls the intensity of the fire by increasing or decreasing the amount of air allowed into the firebox. To increase your draft - slide left, and to decrease - slide right.

As well as a primary and glass wash air system,

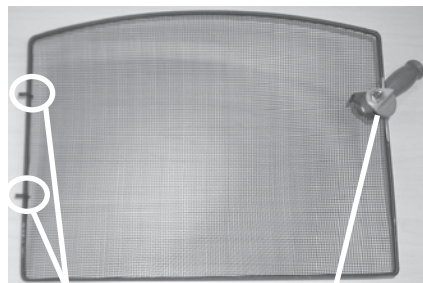


the unit has a full secondary draft system that allows air to the induction ports at the top of the firebox, just below the flue baffle.

**WARNING:** To build a fire in ignorance or to disregard the information contained in this section can cause serious permanent damage to the unit and void your warranty.

## SCREEN DOOR

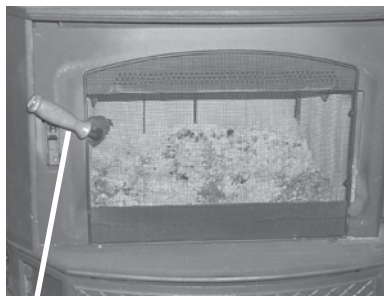
Hook screen to the inside on the right side of the firebox door opening. Lock in place by turning handle.



Hooks Handle Lock

Back Side of Screen Shown

**NOTE:** The handle must be positioned at 10 o'clock when closed to avoid the handle from getting hot and to ensure the screen stays in place.



Handle at 10 o'clock position.

**WARNING**

**Operate with doors fully open or fully closed. If doors are left partly open, gas and flame may be drawn out of the opening, creating risks from both fire and smoke.**

**When operated with doors fully open the manufacturer supplied screen must be used.**

## FIRST FIRE

When your installation is completed and inspected, you are ready for your first fire.

- 1) Open draft control fully.
- 2) Open firebox door and build a small fire using paper and dry kindling, wait a few minutes for a good updraft in the flue to establish the fire. Leaving the door slightly open will help your fire start more rapidly.

**CAUTION: Never leave unit unattended if door is left open. This procedure is for fire start-up only, as unit may over-heat if door is left open for too long.**

- 3) With the draft still in the fully open position, add two or three seasoned logs to your fire. Form a trench in the ash bed to allow air to reach the rear of the firebox prior to closing the door.
- 4) After about 15 to 20 minutes, when your wood has begun to burn strongly, adjust your draft control down to keep the fire at a moderate level.

**WARNING: Never build a roaring fire in a cold stove. Always warm your stove up slowly!**

- 5) Once a bed of coals has been established, you may adjust the draft control to a low setting to operate the unit in its most efficient mode.
- 6) During the first couple of hours, keep the combustion rate at a moderate level and avoid a large fire until the paint is cured. Only then can you operate the insert at its maximum setting, and only after the metal has been warmed.
- 7) For the first few hours, the insert will give off an odour from the paint. This is to be expected as the high temperature paint becomes seasoned. Windows and/or doors should be left open to provide adequate ventilation while this temporary condition exists. Burning the insert at a very high temperature the first few times may damage the paint. Burn fires at a moderate level the first few days.
- 8) Do not place anything on the insert top during the curing process. This may result in damage to your paint finish.

- 9) During the first few hours it may be more difficult to start the fire. As you dry out your fire brick and your masonry flue (if applicable), your draft will increase.
- 10) For those units installed at higher elevations or into sub-standard masonry fireplaces, drafting problems may occur. Consult an experienced dealer or mason on methods of increasing your draft.
- 11) Some cracking and popping noises may be experienced during the heating up process. These noises will be minimal when your unit reaches temperature.
- 12) Before opening your door to reload, open draft fully for approximately 10 to 15 seconds until fire has been re-established. This will minimize any smoking.
- 13) All fuel burning appliances consume oxygen during operation. It is important that you supply a source of fresh air to your unit while burning. A slightly opened window is sufficient for this purpose.

**CAUTION: If the body of your unit starts to glow you are overfiring. Stop loading fuel immediately and close the draft control until the glow has completely subsided.**

- 14) Green or wet wood is not recommended for your unit. If you must add wet or green fuel, open the draft control fully until all moisture has been dispersed by the intense fire. Once all moisture has been removed, the draft control may be adjusted to maintain the fire.
- 15) If you have been burning your insert on a low draft, use caution when opening the door. After opening the damper, open the door a crack, and allow the fire to adjust before fully opening the door.
- 16) The controls of your unit should not be altered to increase firing for any reason.

## FAN OPERATION



How to Light & Maintain a Wood Stove Fire

The fan is to be operated only with the draft control rod **pulled out at least 1/2" from the fully closed position**. The fan is not to be operated when the draft control rod is in the closed position (pushed in). The fully closed position is the low burn setting.

The fan must not be turned on until a fire has been burning for at least 30 minutes. Also note it is recommended that the fan be turned off before each fuel loading and again wait for 30 minutes before the fan is turned on again. This is to allow the stove to reach its optimum temperature.

To operate fan automatically, push switch on side of fan housing to "Auto" and second switch to either "High" or "Low" for fan speed. The automatic temperature sensor will engage the blower when the unit is at temperature and will shut off the blower once the fire has gone out and the unit has cooled to below a useful heat output range.

To manually operate the fan system, push the first switch to "Man" and second switch to either "high" or "Low". This will bypass the sensing device and allow full control of the fan. Switching from "Auto" to "Manual" or "High" to "Low" may be done at any time.

## ASH DISPOSAL

During constant use, ashes should be removed every few days. Please take care to prevent the build-up of ash around the start-up air housing located inside the firebox, under the loading door lip.

### DO NOT ALLOW ASHES TO BUILD UP TO THE LOADING DOORS.

Only remove ashes when the fire has died down. Even then, expect to find a few hot embers. Always leave 1 to 2 inches of ash in the bottom of the firebox. This helps in easier starting and a more uniform burn of your fire.

Ashes should be placed in a metal container with a tight fitting lid. The closed container of ashes should be placed on a noncombustible floor or on the ground, well away from all combustible materials, pending final disposal. If the ashes are disposed of by burial in soil or otherwise locally dispersed, they should be retained in the closed container until all cinders have thoroughly cooled. Other waste should not be placed in the ash container.

## SOME SAFETY

## GUIDELINES

- 1) Never use gasoline, gasoline type lantern fuels, kerosene, charcoal lighter fuel, or similar liquids or chemicals to start or 'freshen up' a fire in your insert. Keep all such liquids well away from the heater while it is in use.
- 2) Never use alternate fuels such as charcoal that have the possibility of generating carbon monoxide.
- 3) Keep the door closed during operation and maintain all seals in good condition.
- 4) Do not burn large quantities of paper in your insert.
- 5) Do not burn garbage or flammable fluids.
- 6) If you have smoke detectors, prevent smoke spillage as this may set off a false alarm.
- 7) Do not overfire your insert. If the insert or its flue baffle begin to glow, you are overfiring. Stop adding fuel and close the draft control. Overfiring can cause extensive damage to your stove including warpage and premature steel corrosion. Overfiring will void your warranty.
- 8) Do not permit creosote or soot buildup in the chimney system. Check and clean chimney at regular intervals.
- 9) Your Regency Insert can be very hot. You may be seriously burned if you touch the insert while it is operating. Warn children of the burn hazard. Keep furniture and clothing away.
- 10) The insert consumes air while operating, provide adequate ventilation with an air duct or open a window while the insert is in use.
- 11) Do not use grates, irons or other methods for supporting fuel. Burn directly on the bricks.
- 12) Open the draft control fully for 10 to 15 seconds prior to slowly opening the door when refuelling the fire.
- 13) Do not connect your unit to any air distribution duct.
- 14) Your insert should burn dry, standard firewood only. The use of "mill ends" is discouraged as this fuel can easily overheat your insert. Evidence of excessive overheating will void your warranty. As well, a large portion of sawmill waste is chemically treated lumber, which is illegal to burn in many areas. Chemically treated fire logs also must not be burned in your insert.
- 15) Do not store any fuel closer than 2 feet from your unit.

16) Do not burn salt drift wood as it will corrode your unit and void the warranty.

17) Do not strike or slam the glass door shut as this may cause the glass to break.

18) Do not operate the unit if the glass is broken or missing. Do not operate the unit if the gasketing is worn out and not sealing the door or the glass.

It is very important to carefully maintain your insert, including burning seasoned wood and maintaining a clean stove and chimney system. Have the chimney cleaned before the burning season and as necessary during the season, as creosote deposits may build up rapidly. Moving parts of your insert require no lubrication.

## CREOSOTE

When wood is burned slowly, it produces tar and other organic vapors, which form creosote when combined with moisture. The creosote vapors condense in the relatively cool chimney flue of a slow-burning fire. As a result, creosote residue accumulates on the flue lining. When ignited, this creosote can make an extremely hot fire.

### Removal for Cleaning etc.

Removal of your insert for cleaning purposes is usually not required if a proper installation has been done. In the event that removal is required, be sure not to damage any parts needed for re-installation. In most cases removal and replacement of the baffle system should allow full access for cleaning.

### WARNING: Things to remember in case of chimney fire:

- 1) Close draft control
- 2) Call the Fire Department

### Ways to Prevent and Keep Unit Free of Creosote

- 1) Burn insert with draft control wide open for about 15 minutes every morning during burning season. This helps to prevent creosote deposits within the heating system.
- 2) Burn insert with draft control wide open for about 10 - 15 minutes every time you add fresh wood. This allows the wood to achieve the charcoal stage faster and burns up any wood vapors which might otherwise be deposited within the system.
- 3) **Only burn seasoned wood!** Avoid burning wet or green wood. Seasoned wood has

been dried at least one year.

- 4) A small hot fire is preferable to a large smoldering one that can deposit creosote within the system.
- 5) Check the chimney at least twice a month during the burning season for creosote build-up.
- 6) Have chimney system and unit cleaned by competent chimney sweeps twice a year during the first year of use and at least once a year thereafter or when needed.

## MAINTENANCE OF GOLD-PLATED DOORS

The gold electroplated finish on the doors requires little maintenance, and need only be cleaned with a damp cloth. **DO NOT** use abrasive materials or chemical cleaners, as they may harm the finish and void the warranty.

## DOOR GASKET

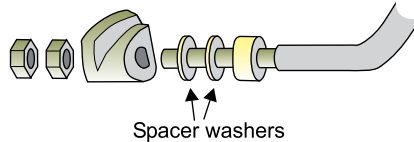
If the door gasket requires replacement, 7/8" diameter material must be used. A proper high temperature gasket adhesive is required. A gasket repair kit, Part # 846-570 is available from your local Regency dealer.

## DOOR LATCH

## ADJUSTMENT

The door latch may require adjustment as the door gasket material compresses over time. Removal of the spacer washer, shown in the diagram below, will allow the latch to be moved closer to the door frame, causing a tighter seal. Remove and replace the nuts, washer as shown.

## GLASS CLEANING



Do not attempt to clean the glass when it is hot, allow the glass to cool before cleaning.

Do not use abrasive cleaners to clean the glass. Your local retailer can supply you with special glass cleaner if plain water and a soft cloth does not remove all deposits.

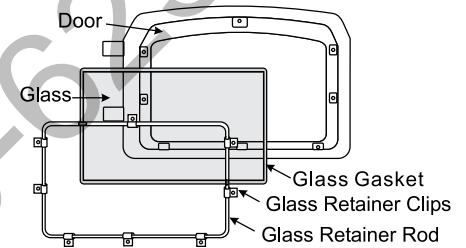
## GLASS REPLACEMENT

Your Regency Insert is supplied with 5 mm. Neoceram ceramic glass that will withstand the highest heat that your unit will produce. In the event that you break your glass by impact - purchase your replacement from an authorized Regency dealer only, and follow our step-by-step instructions.

## GLASS REMOVAL

Allow the stove to cool before removing or replacing glass. Remove the door from the insert and remove the glass retainer. Use caution when removing broken glass to prevent injury.

When placing the replacement glass in the door, make sure that the glass gasketing will properly seal your unit. Replace the retainer and tighten securely, but do not wrench down on the glass as this may cause breakage. Do not substitute materials. If your glass door does break, do not continue to use your unit until it has been replaced.

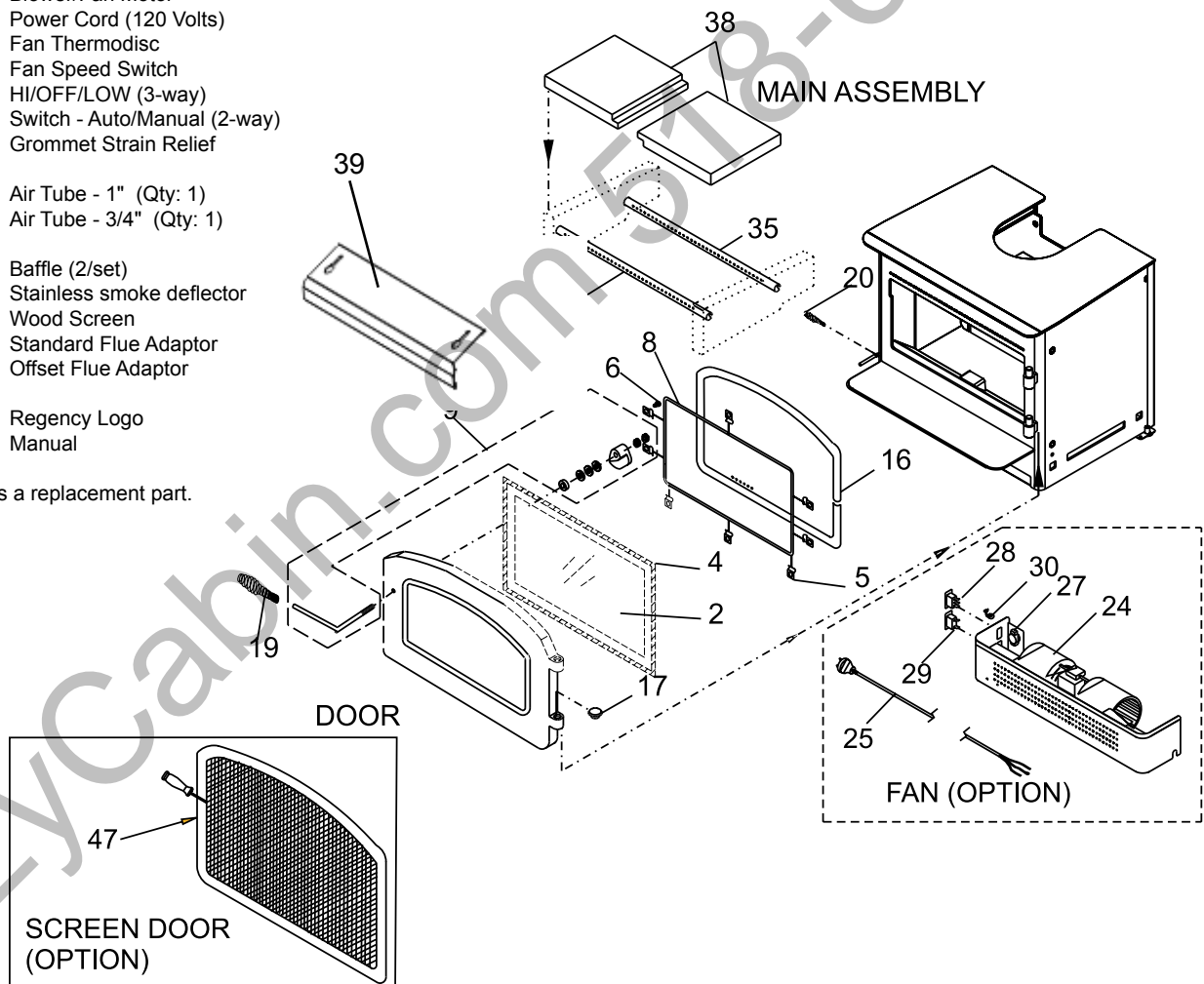




## MAIN ASSEMBLY

Part #	Description
850-141	Black Door - Complete
850-143	Nickel Accent Door - Complete
2)	846-302 Glass - Replacement
4)	936-243 7/8" Adhesive Tape Gasket
5)	846-920 Glass Retainer Clips/Screws (set of 8)
6)	* Screws - 1/4-20 x 3/8"
8)	948-170/P Glass Retainer
9)	846-973 Door Handle Assembly
16)	846-570 Med. Density Door Gasket Kit
17)	948-079BN Hinge Caps - Nickel
19)	948-135 Spring Handle - Large Nickel
20)	948-136 Spring Handle - Small Nickel
170-915	Fan/Blower Assembly
24)	910-157/P Blower/Fan Motor
25)	910-678 Power Cord (120 Volts)
27)	910-142 Fan Thermodisc
28)	910-140 Fan Speed Switch HI/OFF/LOW (3-way)
29)	910-138 Switch - Auto/Manual (2-way)
30)	* Grommet Strain Relief
35)	074-954 Air Tube - 1" (Qty: 1)
36)	033-953 Air Tube - 3/4" (Qty: 1)
38)	073-955 Baffle (2/set)
39)	820-483 Stainless smoke deflector
47)	846-101 Wood Screen 171-932 Standard Flue Adaptor 171-936 Offset Flue Adaptor
948-223	Regency Logo
918-998	Manual

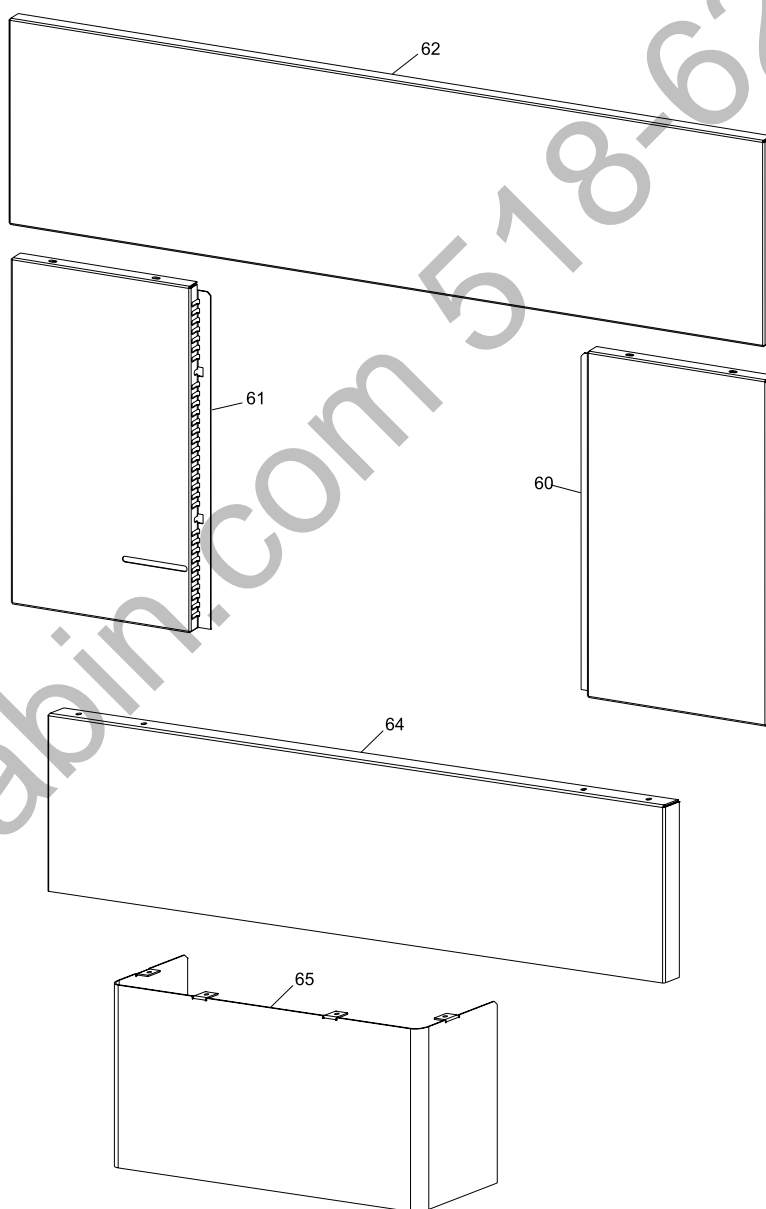
\*Not available as a replacement part.



FACEPLATES

Part #	Description		
171-920	Faceplate & Trim Set - Regular - Black	60) *	Faceplate Right Side Regular / Oversize
		61) *	Faceplate Left Side Regular / Oversize
171-922	Faceplate & Trim Set - Oversize - Black	62) *	Faceplate Top Regular / Oversize
171-928	Bottom Piece and Fan Support - Regular	64) *	Bottom 1 Piece Faceplate
171-930	Bottom Piece and Fan Support - Oversize	65) *	Fan Support

\*Not available as a replacement part.

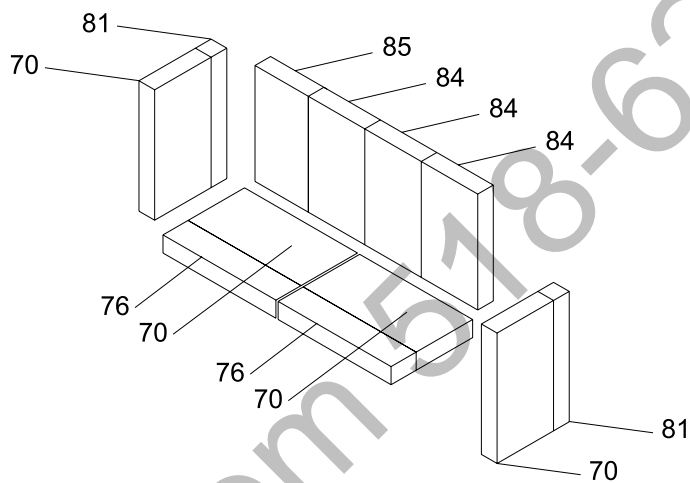




## FIREBRICK

Part #	Description
170-960	Complete Brick Set
70) *	Brick Regular Full Size: 1-1/4" x 4-1/2" x 9"
76) *	Brick Partial: 1-1/4" x 2" x 9"
81) *	Brick Partial: 1-1/4" x 1-1/4" x 9"
84) *	Brick Partial: 1-1/4" x 4-1/2" x 8"
85) *	Brick Partial: 1-1/4" x 4-1/4" x 8"

\*Not available as a replacement part.











**Regency Fireplace Products are designed with reliability and simplicity in mind. In addition, our internal Quality Assurance Team carefully inspects each unit thoroughly before it leaves our door. FPI Fireplace Products International Ltd. is pleased to extend this limited lifetime warranty to the original purchaser of a Regency Product. This warranty is not transferable.**

**The Warranty:** Lifetime

Covered under the agreement are the following components:

Firebox, ceramic baffle, vermiculite baffle, steel baffles (H2100), convector airmate, castings, ashdrawer, glass (thermal breakage), gold plating (against defective manufacture), airtubes (against warpage) and door handles.

The above will be covered for parts and subsidized labour for the first five years and parts only thereafter with the exception of the fireboxes (see below).

FPI is not liable for freight or labor on any wood burning appliance replaced in field.

Electrical components such as blowers, switches and thermodisc's are covered for two years parts and one year subsidized labour\* from date of purchase.

Repair/replacement parts purchased by the consumer from FPI after the original coverage has expired on the unit will carry a 90 day warranty, valid with a receipt only. Any item shown to be defective will be repaired or replaced at our discretion. No labor coverage is included with these parts.

**Conditions:**

Any part or parts of this unit which in our judgement show evidence of such defects will be repaired or replaced at FPI's option, through an accredited distributor or agent provided that the defective part be returned to the distributor or agent **Transportation Prepaid**, if requested.

It is the general practice of FPI to charge for larger, higher priced replacement parts and issue credit once the replaced component has been returned to FPI and evaluated for manufacturer defect.

The authorized selling dealer is responsible for all in-field service work carried out on your Regency product. FPI will not be liable for results or costs of workmanship from unauthorized service persons or dealers.

At all times FPI reserves the right to inspect product in the field which is claimed to be defective.

All claims must be submitted to FPI by authorized selling dealers. It is essential that all submitted claims provide all of the necessary information including customer name, purchase date, serial #, type of unit, problem, and part or parts requested, without this information the warranty will be invalid.

**Exclusions:**

This limited Lifetime Warranty does not extend to or include paint, door or glass gasketing, firebrick or trim. It does not cover installation and operational related problems such as over-firing, use of corrosive driftwood, downdrafts or spillage caused by environmental conditions, nearby trees, buildings, hilltops, mountains, inadequate venting or ventilation, excessive offsets, negative air pressures caused by mechanical systems such as furnaces, fans, clothes dryers etc.

At no time will FPI be liable for any consequential damages which exceed the purchase price of the unit. FPI has no obligation to enhance or modify any unit once manufactured. ie. as products evolve, field modifications or upgrades will not be performed.

FPI will not be liable for travel costs for service work.

Installation and environmental problems are not the responsibility of the manufacturer and therefore are not covered under the terms of this warranty policy.

Any unit which shows signs of neglect or misuse is not covered under the terms of this warranty policy.

The warranty will not extend to any part which has been tampered with or altered in any way, or in our judgment has been subject to misuse.

Freight damage to stoves and replacement parts is not covered by warranty and is subject to a claim against the freight carrier by the dealer.

FPI will not be liable for acts of God, or acts of terrorism, which cause malfunction of the appliance.

Performance problems due to operator error will not be covered by this warranty policy.

Products made or provided by other manufacturers and used in conjunction with the operation of this appliance without prior authorization from FPI, may nullify your warranty on this product.

\* Subsidy according to job scale as predetermined by FPI.

# Register your Regency® warranty online [www.regency-fire.com](http://www.regency-fire.com)

## Reasons to register your product online today!

- View and modify a list of all your registered products.
- Request automatic email notification of new product updates.
- Stay informed about the current promotions, events, and special offers on related products.

***Installer: Please complete the following information***

**Dealer Name & Address:** \_\_\_\_\_  
\_\_\_\_\_

**Installer:** \_\_\_\_\_

**Phone #:** \_\_\_\_\_

**Date Installed:** \_\_\_\_\_

**Serial No.:** \_\_\_\_\_