

LINER-BK-25, LINER-BK-30, LINER-BK-35

Models: SUPREME-I25-IFT, SUPREME-I25-BIR, SUPREME-I30-IFT, SUPREME-I30-BIR, SUPRM-I30LP-IFT, SUPREME-I35-IFT, SUPREME-I35-BIR, RUBY25I, RUBY30I, RUBY35I, EXCURSION-I, EXCURSION-II, EXCURSION-III, PROV-I30-IPI, PROV-I35-IPI, JASPER30IN, TRILLIANT25I, TRILLIANT30I, TRILLIANT35I, I25X-AU/AUB, I30X-AU/AUB, I35X-AU/AUB
Glass Refractory Panel Installation Instructions



Leave this manual with party responsible for use and operation.

CAUTION! Risk of Cuts or Abrasions. Wear protective gloves and safety glasses during installation.

I30X-AU INSTALLATION INSTRUCTIONS, SKIP TO PAGE 4.

KIT COMPONENTS

- (1) Left Glass Refractory Panel
- (1) Right Glass Refractory Panel
- (1) Back Glass Refractory Panel
- (1) Rear Glass Clip
- (4) Magic Glass Channels
- (1) Magic Glass Insulation Board

SERVICE PARTS	
PART NUMBER	DESCRIPTION
SRV2531-079	25 in. Glass Panel Kit
SRV2532-079	30 in. Glass Panel Kit
SRV2533-079	35 in. Glass Panel Kit
2532-159	Magic Glass Channels
060-235-25	Rear Glass Clips (qty 25)
2532-158	30 in. Magic Glass Insulation

Note: The Black Glass Refractory kit is not recommended for use with the Ambient Light Kit.



Figure 1. Glass Panels

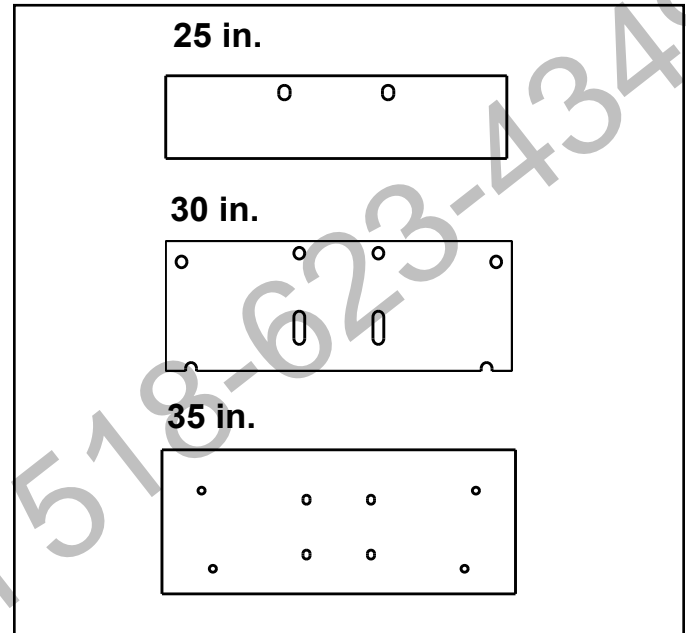


Figure 2. Insulation Boards



Figure 3. Magic Glass Channels and Rear Glass Clip

Instructions

1. Position the insulation board on the air baffle as shown in Figure 4. The board should be positioned flush against the back of the firebox.
2. Position four (4) magic glass channels and screw into place. See Figure 4.

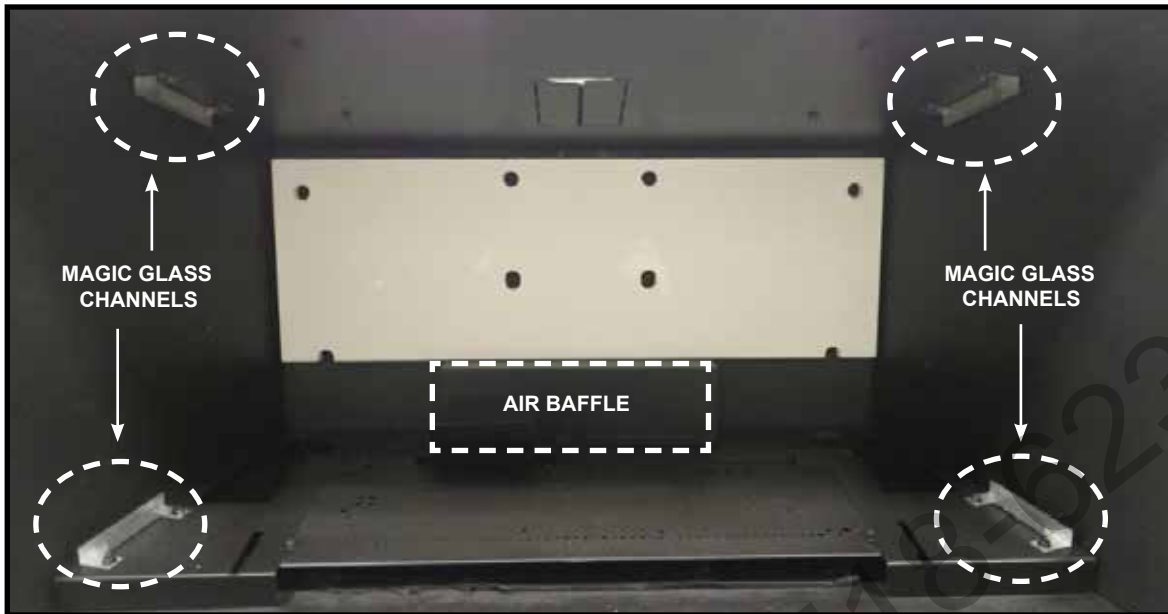


Figure 4. Position Insulation Board and four (4) Magic Glass Channels

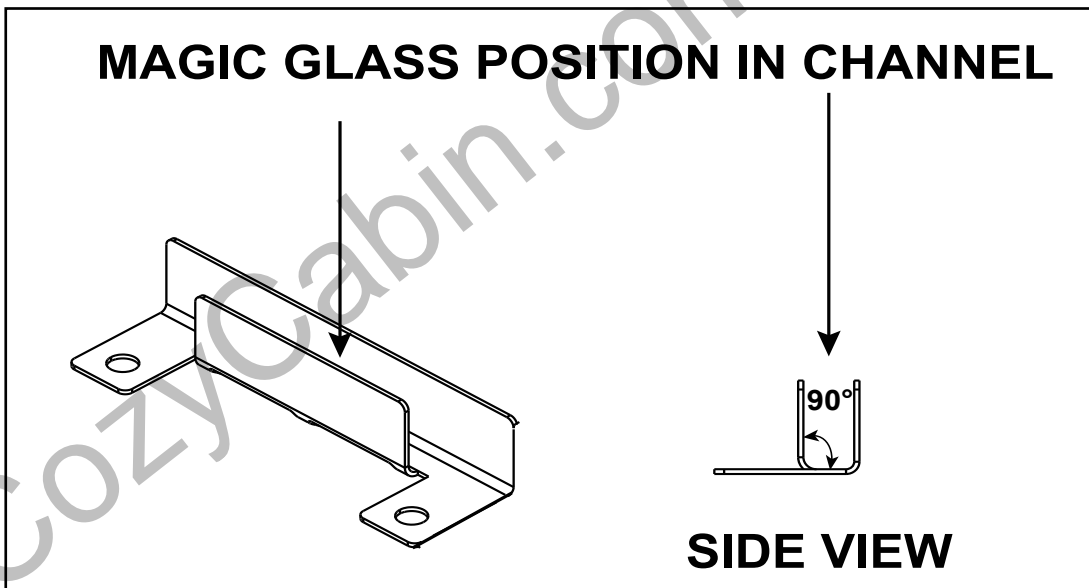


Figure 5. Magic Glass Position in Channel

NOTE: The hand bend tabs are shipped unbent and must be bent to a 90° angle to ensure glass sits vertically.

3. Position rear glass refractory in front of insulation board as shown in Figure 6. Secure with glass clip.

Be sure to hold glass panel in position until clip can be installed.



Figure 6. Install Rear Glass Panel

4. Install left and right glass refractory panels by sliding them into the channels.

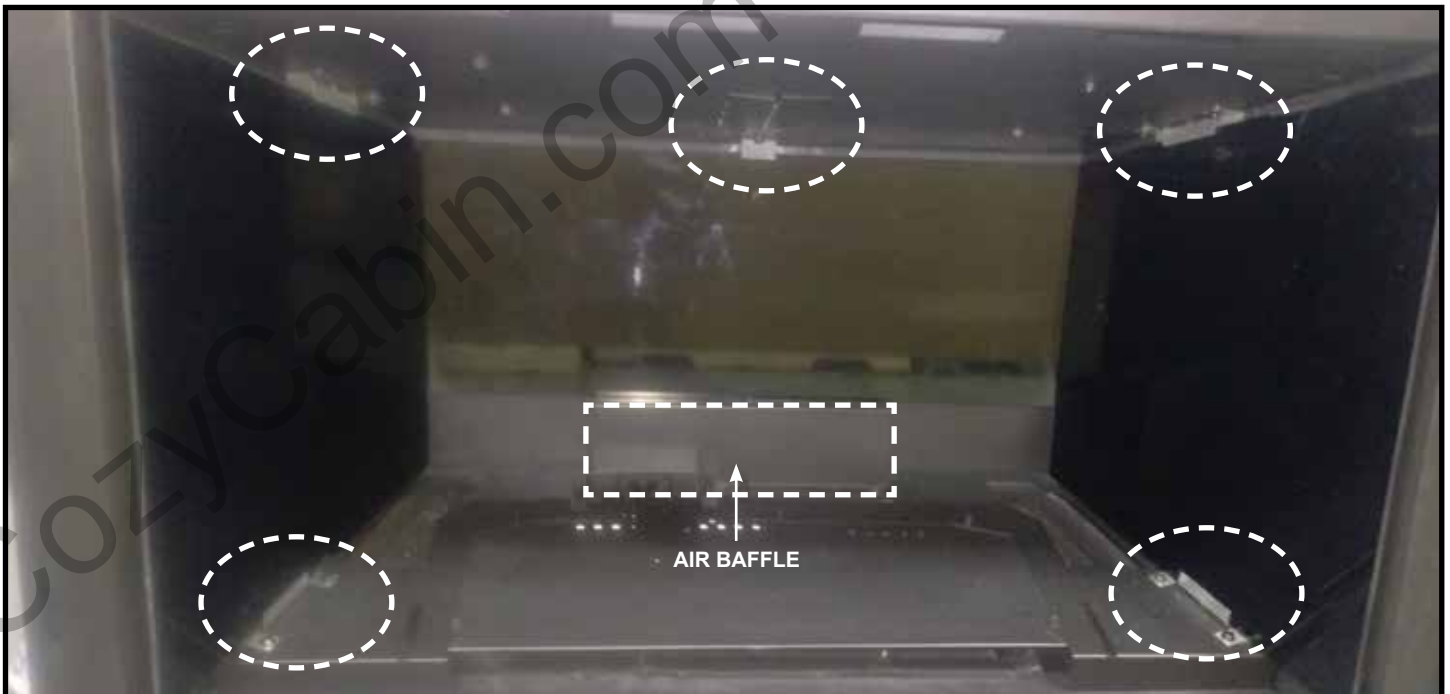


Figure 7. All Glass Panels Installed

I30X-AU / I30X-AUB INSTALLATION INSTRUCTIONS:

CAUTION! Risk of Cuts or Abrasions. Wear protective gloves and safety glasses during installation.

KIT COMPONENTS

- (1) Left Glass Refractory Panel
- (1) Right Glass Refractory Panel
- (1) Back Glass Refractory Panel
- (1) Rear Glass Clip (**Not needed for I30X-AU**)
- (4) Magic Glass Channels
- (1) Magic Glass Insulation Board

SERVICE PARTS	
PART NUMBER	DESCRIPTION
SRV2532-079	30 in. Glass Panel Kit
2532-159	Magic Glass Channels
2532-158	30 in. Magic Glass Insulation

Note: The Black Glass Refractory kit is not recommended for use with the Ambient Light Kit.

Note: Left and right glass refractory panels are not interchangeable. Left glass panel has a chamfer on the bottom rear corner. See Figure 1.



Figure 1 Glass Panels

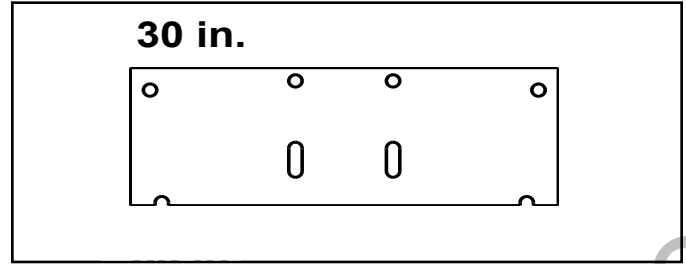


Figure 2 Insulation Board



Figure 3 Magic Glass Channels and Rear Glass Clip

Instructions

1. Position four (4) magic glass channels and screw into place. See Figure 4. See Figure 5 for location of Magic Glass channels on top.
2. Position the insulation board on the air baffle as shown in Figure 4. Top of insulation board must go in first. The board should be positioned flush against the back of the firebox.

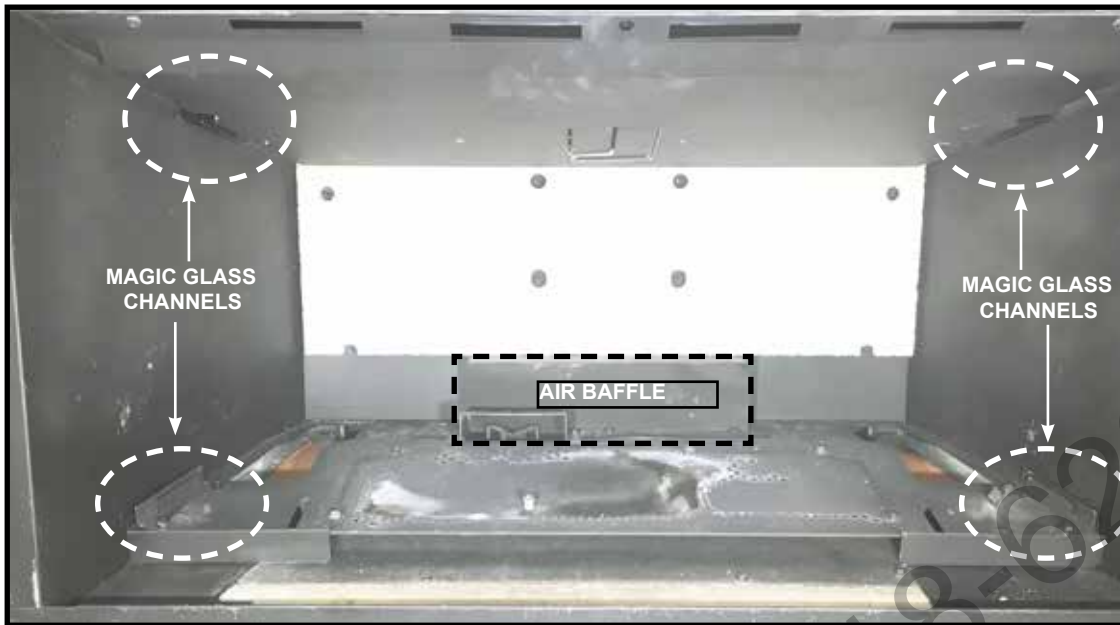


Figure 4 Position Insulation Board and four (4) Magic Glass Channels



Figure 5 Location of top Magic Glass channels

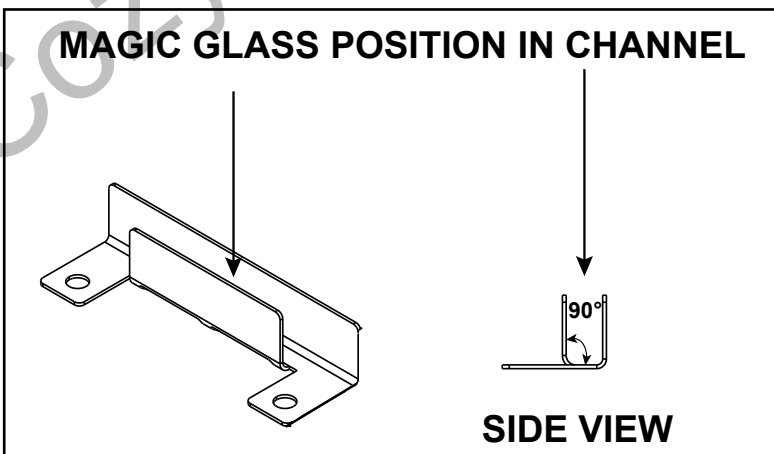


Figure 6 Magic Glass Position in Channel

NOTE: The hand bend tabs are shipped unbent and must be bent to a 90° angle to ensure glass sits vertically.

3. Position rear glass refractory in front of insulation board, top of rear glass refractory must go in first as shown in Figure 7.

Be sure to hold glass panel in position until side panels get installed.



Figure 7 Install Rear Glass Panel

4. Install left and right glass refractory panels by sliding them into the channels.



Figure 8 All Glass Panels Installed

Please contact your Hearth & Home Technologies dealer with any questions or concerns.
For the location of your nearest Hearth & Home Technologies dealer, please visit www.hearthnhome.com.

Hearth & Home Technologies
7571 215th Street West, Lakeville, MN 55044
www.hearthnhome.com