

FIGURE 1

Place literature plate (attached to gas valve) on the cabinet base.

Carefully remove log set from protective packaging and install as follows:

IMPORTANT – Hard, refractory logs are heavy and fragile. Handle them gently. Do not expose logs to direct flame; logs are expansion and contraction sensitive.

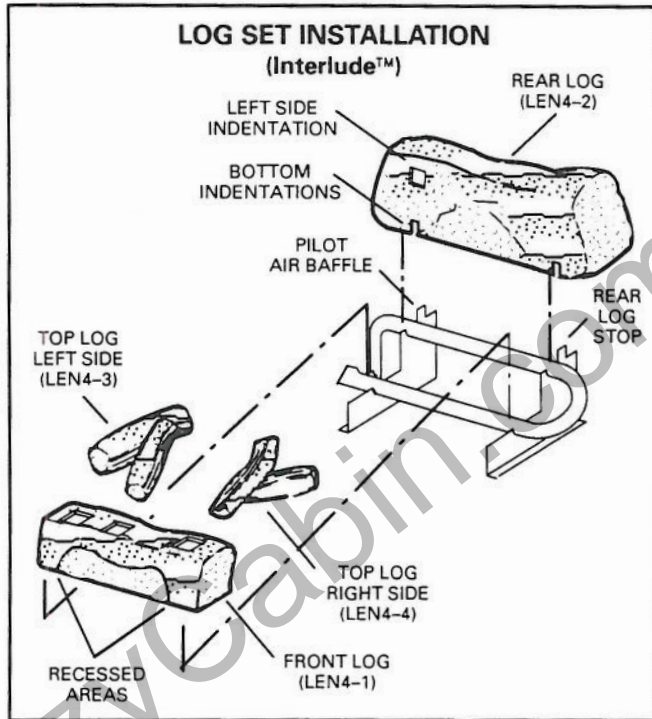


FIGURE 2

- a – Install rear log so that bottom indentations rest on the bracket. Pull log toward front of burner until left indentation touches pilot air baffle and right side of log touches rear log stop.

- b – Install front log in the middle of the burner so that bottom recessed areas sit on burner bracket. Push log back until it touches the burner bracket.
- c – Install top logs so that they rest in recessed areas on the front and rear logs. See figure 2.
NOTE–Top logs fit one way only. Each log is stamped with a part number for easy identification.
- d – If glowing embers are desired, separate the ember material into loose, fluffy pieces, approximately 1/2" to 3/4" (13mm to 19mm) in diameter. Take care not to compress the ember material. Place pieces roughly 1/4" (7mm) apart onto the front section of the burner tube. Ember material may be placed directly over burner ports. See figure 3.

⚠ WARNING

The package of ember material supplied with the Interlude™ log set is the only acceptable type and amount of material to be used for safe operation. Do not increase the amount of ember material used or substitute any other ember material for use with this appliance. Do not place ember material on back section of burner or on the side front of the burner tube under the log.

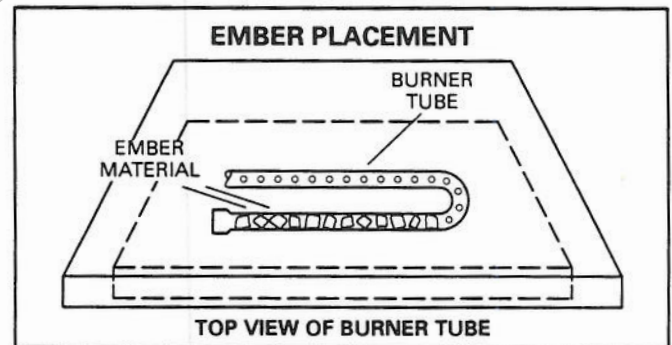


FIGURE 3

- e – If desired, place Vermiculite on the firebox bottom around the burner tray and the bottom bay area of the door assembly.
- f – Continue with installation, start-up and adjustment procedure outlined in GFP3/GFP4 installation instructions.