

GFK-160A Fan Kit

- Installation and Operating Instructions -

Introduction

The GFK-160A fan has been designed to circulate room air through the fireplace to enhance heat output. The GFK160A fan system operates on 120 VAC, 60 Hz power. This is available through a receptacle in the factory installed junction box. The junction box is located in the controls compartment of the fireplace.

A variable speed control is provided with the fan system to provide quiet forced air flow at the desired speeds. A temperature sensor switch, which automatically turns the fan ON/OFF, is also provided with this kit.

NOTE: The variable speed control and temperature sensor switch are not used with some remote control systems.

Kit Contents:

Compare system components in Figure 1 with the actual parts received. If any parts are missing or damaged, contact your dealer before starting installation. Do not install a damaged fan kit.

CAUTION! Do not install damaged components.

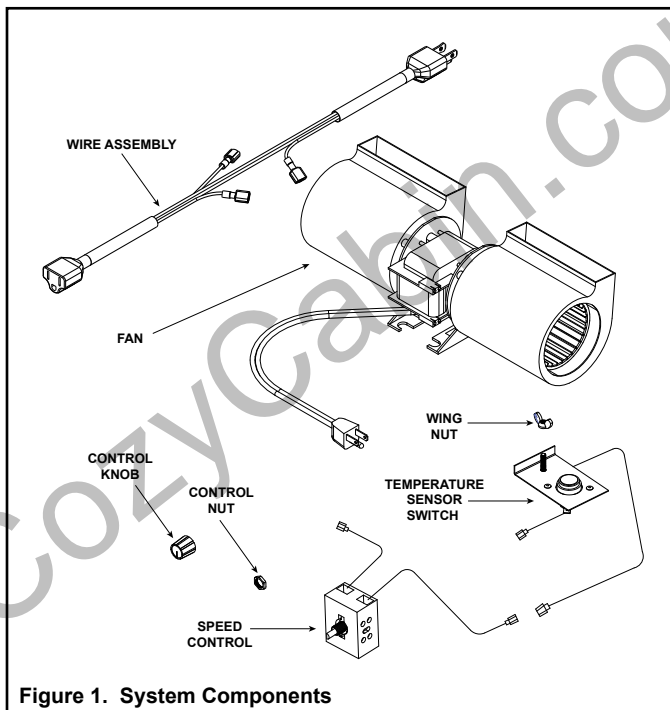


Figure 1. System Components

Installation Precautions

The GFK-160A Fan Kit is tested and safe when installed in accordance with this installation manual. It is your responsibility to read all instructions before starting installation and to follow these instructions carefully during installation to assure maximum benefit from, and safe operation of, the fan.

This fan is carefully engineered and must be installed only as specified. If you modify it or any of its components, you may cause a fire hazard and will void the WARRANTY. In addition, such action may void the coverage provided by the owner's home insurance.

CAUTION: All wiring should be done by a qualified electrician and shall be in compliance with local codes and with the National Electric Code ANSI/NFPA NO. 70-current (in the United States), or with the current CSA C22.1 Canadian Electric Code (in Canada).

Installation Instructions

WARNING: Risk of Shock! Turn electrical power off at the circuit breaker before beginning this installation.

NOTE: The factory installed junction box in the gas fireplace must be wired with 110 VAC before installing this kit. See Installation Instructions section.

Installing the Fan

Position the fan all the way to the rear and center in the fireplace. Pull the blower forward 1/8" to 1/4" from the back wall of the fireplace. See Figure 2. Thread fan cord plug through hole on bottom of cord bracket and plug into receptacle labeled "FAN" on power cord.

Installing the Speed Control and Sensor Switch

If using a remote control system that utilizes fan control, disregard steps 1-3 and follow remote control installation instructions.

1. Remove the knob and locknut from the variable speed control. Slide the control behind the fireplace wall, in, with the stem sticking out of the pre-punched hole which is often in the lower right front corner. Attach the locknut tightly and reattach the knob on the stem. Turn the speed control switch to the "ON" position.

NOTE: Some models may have a separate mounting location on the control panel or valve bracket for mounting this speed control.

2. Slide the temperature sensor switch/bracket assembly onto the weld stud on the outside of the combustion chamber. Secure the bracket assembly with the wing nut provided. See Figure 3.

NOTICE: The weld stud is located either on the lower right side or the bottom of the combustion box.

NOTICE: The switch/bracket assembly must be installed so that the sensor switch is facing the combustion box surface.

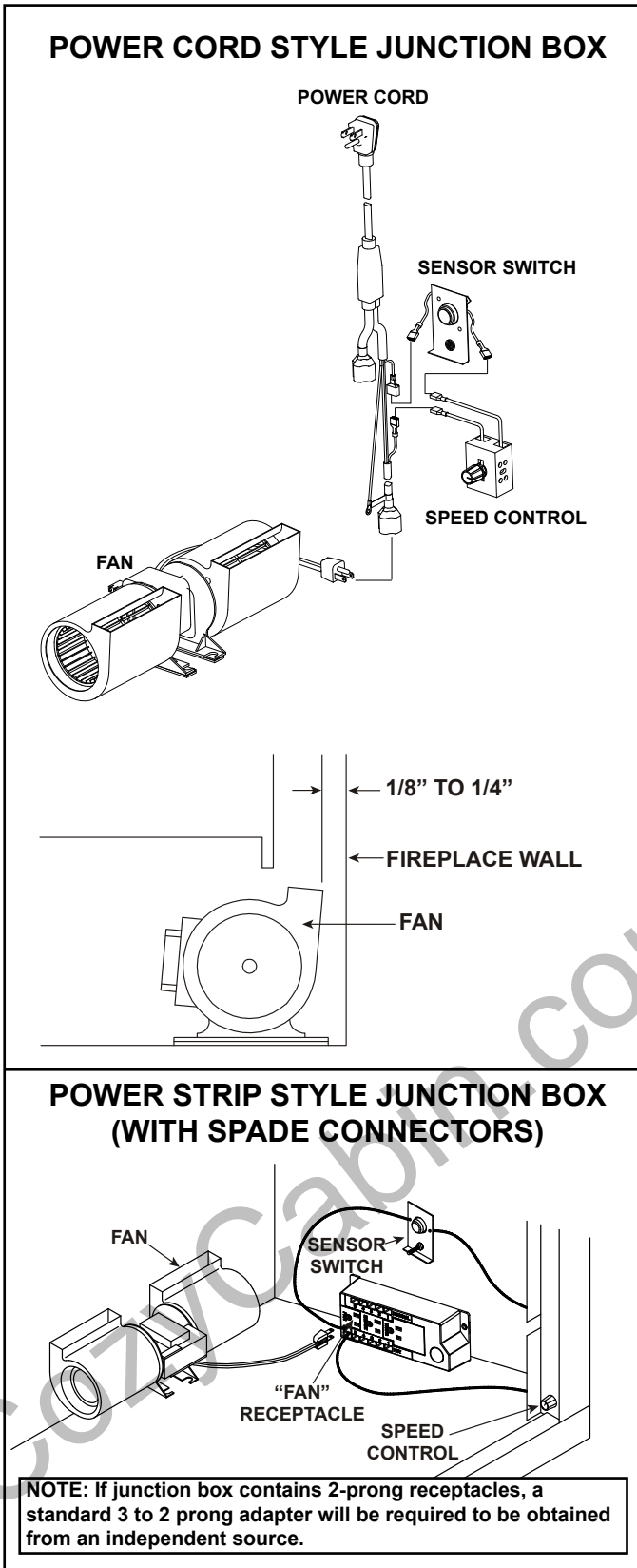


Figure 2. Junction Box Styles

3. Connect the variable speed control and the temperature sensor switch to the junction box with the wires provided. See Figure 4 for the wiring diagram that matches the style of junction box on the fireplace.

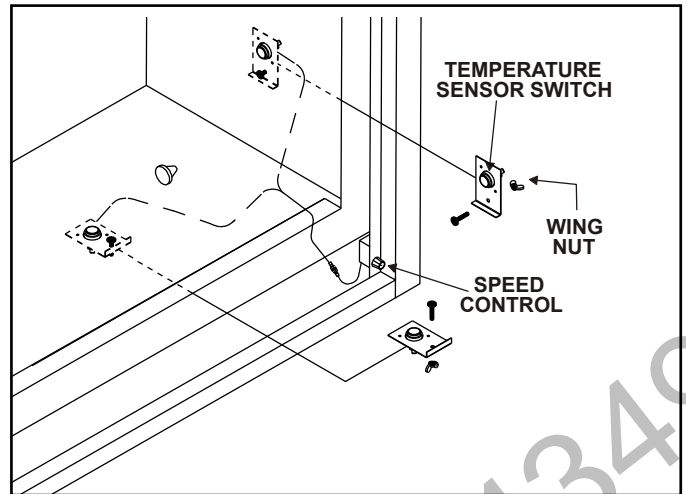


Figure 3. Mounting the Temperature Sensor Switch

NOTE: The variable speed control and temperature sensor switch are not used with some remote control systems.

4. Turn the 110-120 VAC service "ON" at the circuit breaker.

Recommended Operating Procedures When Variable Speed Control and Temperature Switch Are Used

Ignite the fire in the fireplace with the variable speed control switch in an "ON" position. The fan will automatically turn on when the temperature sensor switch closes at approximately 110° F. Heated air should be delivered at the outlet grille. The fan will continue to operate after the fireplace is turned OFF until the sensor switch opens.

Various conditions (such as fireplace model, type of fireplace installation, outside air temperature vs. inside air temperature) can contribute to the length of the time the fan remains on after the fireplace is turned OFF. The fan can be turned off manually with the speed control switch.

WARNING! Risk of Injury! DO NOT contact fan blades during operation.

Maintenance

Periodically check the fireplace louvers, if present, and controls compartment. Remove any dust, dirt or obstructions as directed in the appliance Owner's Manual.

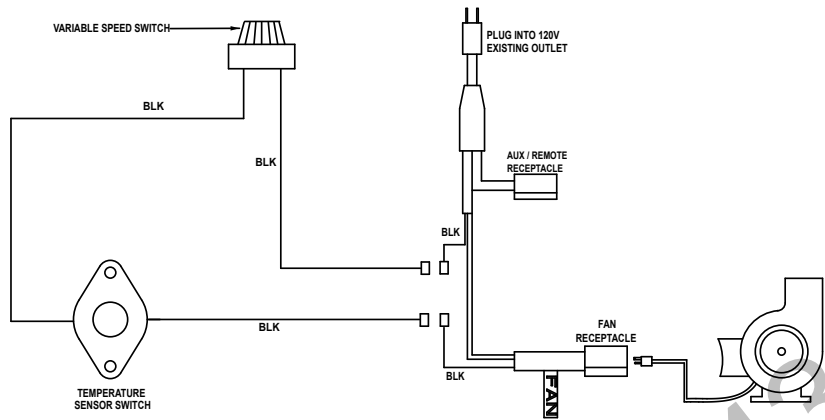
Replacement Parts And Customer Service

Replacement parts and service may be obtained through your dealer.

SERVICE PARTS	
Part Number	Description
SRV107-570A	Hardware Bag - Rheostat and Temp Disc
SRV4021-708	Hardware Bag - Timer Kit
GFK-160C	Fan Kit Only

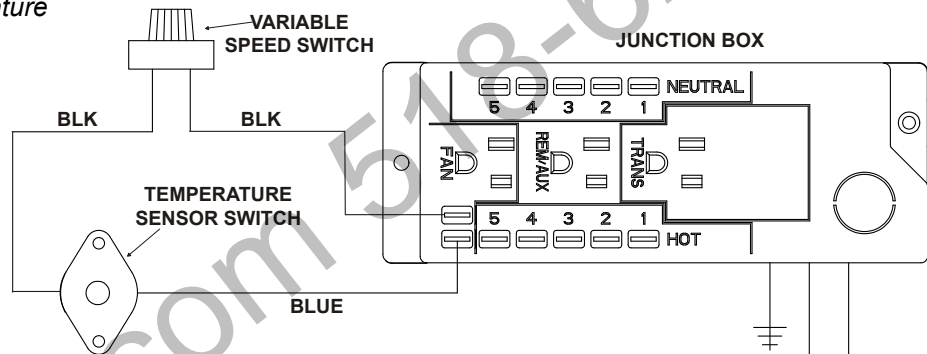
POWER CORD ASSEMBLY

WARNING! Risk of Shock! Replace damaged wire with type 105° C rated wire. Wire must have high temperature insulation.



POWER STRIP STYLE JUNCTION BOX WITH SPADE CONNECTORS

WARNING! Risk of Shock! Replace damaged wire with type 105° C rated wire. Wire must have high temperature insulation.



POWER STRIP STYLE JUNCTION BOX WITHOUT SPADE CONNECTORS

WARNING! Risk of Shock! Replace damaged wire with type 105° C rated wire. Wire must have high temperature insulation.

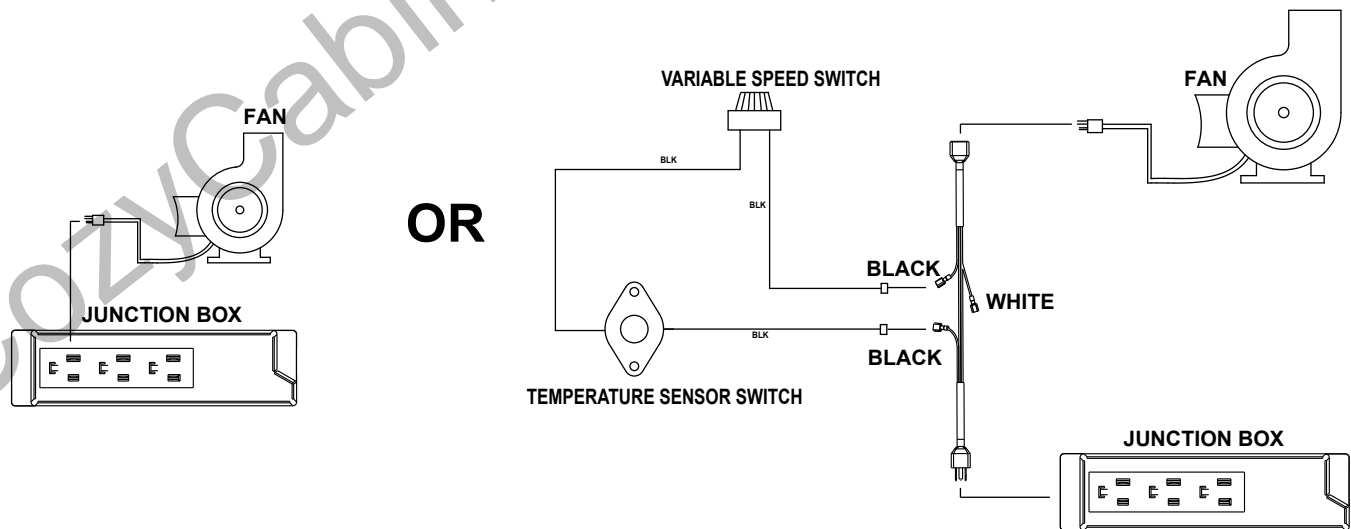


Figure 4. Fan Wiring Diagram

Please contact your Hearth & Home Technologies dealer with any questions or concerns.
For the location of your nearest Hearth & Home Technologies dealer, please visit www.hearthnhome.com.

Hearth & Home Technologies
7571 215th Street West, Lakeville, MN 55044
www.hearthnhome.com