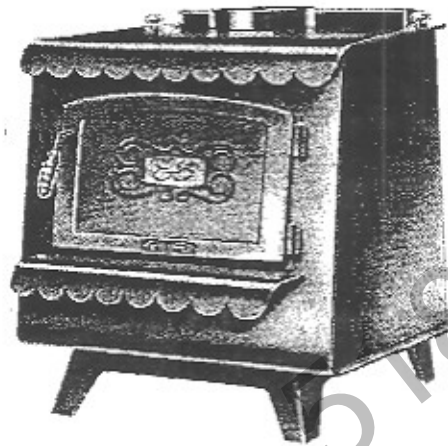


**INSTALLATION
AND OPERATION
MANUAL**



MODEL 101/1001

*Read thoroughly before starting
installation. Save this manual
for future reference.*



Protected by United States and Canadian patents.

The Earth Stove 1986

SAFETY NOTICE

CAUTION: IF THIS STOVE IS NOT PROPERLY INSTALLED, A HOUSE FIRE MAY RESULT. FOR YOUR SAFETY, FOLLOW THE INSTALLATION DIRECTIONS, CONTACT LOCAL BUILDING OFFICIALS ABOUT RESTRICTIONS AND INSTALLATION INSPECTION REQUIREMENTS IN YOUR AREA.

IMPORTANT, PLEASE READ!

- (1) Protection against fire is of primary importance when installing a wood heating stove. If the stove is attached to an older chimney, it must be inspected for adequate serviceability.
- (2) Minimum clearances between the stove and adjacent combustible surfaces must be maintained. See clearance diagram on pages 4 and 5. The area directly under the stove must be protected by an approved hearth, or a U.L. listed stove pad. This protected area must extend a minimum of 16 inches from the front of the fuel door opening and 8 inches from each side of the stove.
- (3) Both the chimney and chimney connector should be inspected for creosote deposits at least twice a month. Remove all buildups as often as necessary.
- (4) Overfiring the stove could cause a house fire. A sure sign of overfiring is a glowing chimney connector.
- (5) The minimum clearances diagrams on pages 4 and 5 should be maintained for all combustible materials such as furniture, clothing, wood, papers, etc.
- (6) Never use kerosene, gasoline, lighter fluid or other flammable liquids to start or freshen a fire. Store all such liquids far from the stove.
- (7) Use a metal container with a tightfitting lid to dispose of ashes.
- (8) Teach children to never touch the air control. In fact, train them to stay away from the stove entirely. A stove hot enough to warm your home can severely burn anyone touching it.
- (9) Do NOT attach this stove to a chimney flue connected to another stove.
- (10) Whenever possible, use dry wood to minimize creosote buildup.
- (11) Do not install in a bedroom.
- (12) Minimum height of ceiling must be 7 ft.
- (13) Do not allow anyone to operate the stove who is not familiar with the instructions and warnings in this booklet. Installation of this stove must comply with local codes. A building or installation permit is required for the installation of any heating device in almost every area of the country. Be sure to check with your local building or fire department before installing. Burning any kind of fuel uses oxygen from the room air. Be sure that you allow an adequate source of fresh air into the room where the stove is operating. Since there are always several potential sources of fire in any home, we would like to suggest, that now you have selected a quality stove, you continue your safety program and install smoke detectors. WHEN INSTALLING SMOKE DETECTORS, DO NOT INSTALL THEM TOO CLOSE TO THE STOVE. HEAT CAN ACTIVATE THEM. (NOTE: Many local codes now require smoke detectors.)
- (14) Never leave the stove unattended with the thermostat set on high.

TESTING/LISTING

Models 101 and 1001 have been tested to U.L. Standard 1482 for installation in residential and mobile home construction. The listing laboratory is OMNI Environmental Services, Portland, Oregon. I.C.B.O. No. TL-130.

SPECIFICATIONS**Model 101**

- * Width: 30"
- * Depth: 23"
- * Height (to flue): 36"
- * Height: 34"
- * Weight with brick: 350 Lbs. (Approx.)
- * Approx. sq. heating capacity: 2400
- * Maximum heat output: 65,000 BTU
- * Log length: 24 Inches
- * Rear heat shield: Standard
- * Blower: Optional
- * Flue position: Top
- * Air control: Auto Thermo
- * Flue collar size: 8"
- * Approx. burn time: 10-16 Hrs.
- * Fuel capacity: 70 Lbs.
- * Loading: Front
- * Outside air provision: Yes

Model 1001

- * Width: 23 3/4"
- * Depth: 23"
- * Height (to flue): 28"
- * Height: 30"
- * Weight with brick: 270 Lbs. (Approx.)
- * Approx. sq. heating capacity: 1400
- * Maximum heat output: 35,000 BTU
- * Log length: 18 Inches
- * Rear heat shield: Standard
- * Blower: Optional
- * Flue position: Top
- * Air control: Auto Thermo
- * Flue collar size: 6"
- * Approx. burn time: 6-10 Hrs.
- * Fuel capacity: 60 Lbs.
- * Loading: Front
- * Outside air provision: Yes

*** Square ft. heating capacity and burn time area approximations only. They will vary depending upon the level of insulation, climate, house design, ceiling height, ambient outside temperatures and the way the stove is operated.*

INSTALLATION

SELECTING A LOCATION

The design of your home and where you place your stove will determine its value as a source of heat. A woodstove depends primarily on air circulation (convection) to disperse its heat, and therefore, a central area is often best. However, other practical considerations may be most important in selecting its location:

Existing Chimneys	Proximity To Combustibles
Room Traffic	Aesthetic Considerations
Wood Storage	Electrical Wiring
Roof Design(Rafter Locations & Roof Pitch)	

Once your options are determined, consult with your local building officials regarding any potential problems. If you plan on venting your stove into an existing masonry chimney, have it inspected by a local fire marshall or qualified installer. Remember that a stove's performance is heavily influenced by the chimney. An oversized flue may not provide for effective draw, and a flue line may be required. Consult your dealer if there is any question.

CLEARANCES

WARNING!

IT IS VERY IMPORTANT THAT YOU OBSERVE
THE MINIMUM CLEARANCES SHOWN ON NEXT PAGE!

There are usually two or three sets of clearances listed for your Earth Stove. These are established in laboratory tests using various "classes" of stove pipe or chimney. Minimums are first established for the stove itself, and increased based on the heat transfer of each class of pipe.

NOTE: Mobile home installations require the use of Type A vent or Type E vent chimney pipe to the top of the stove. Use of a single wall flue pipe connection to the chimney is not permitted.

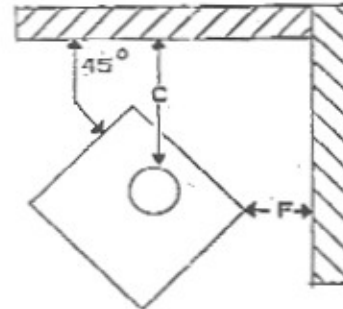
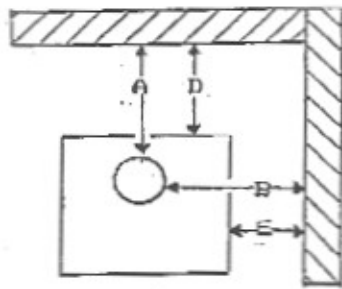
COMBUSTIBLE WALL INSTALLATIONS

MOBILE HOME OR RESIDENTIAL - Using Type A chimney or Type E vent pipe, to the top of the stove.

TYPE A VENT

MINIMUM CLEARANCE TO COMBUSTIBLES

Pro-Jet, Metal-Bestos, Security, Metal-Vent, Jackes-Evans



DIMENSIONS 101

A	B	C	D	E	F
12"	30"	22"	8"	20"	12"

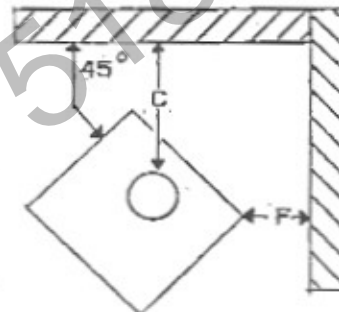
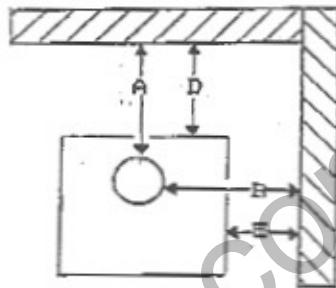
DIMENSIONS 1001

A	B	C	D	E	F
12"	30"	22"	8"	23"	14"

TYPE E VENT (With Air Insulated Double Wall Connectors)

MINIMUM CLEARANCE TO COMBUSTIBLES

Dura-Vent, Security E, Pro-Jet E



DIMENSIONS 101

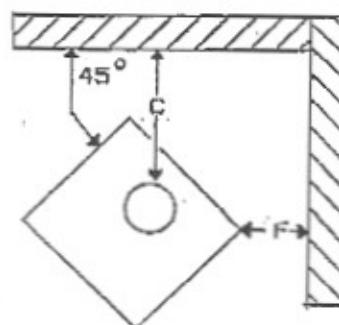
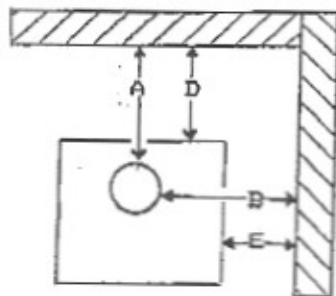
A	B	C	D	E	F
12"	30"	22"	8"	20"	12"

DIMENSIONS 1001

A	B	C	D	E	F
12"	30"	22"	8"	23"	12"

RESIDENTIAL (not approved for mobile homes) - Using single wall pipe connector to the top of the stove.

SINGLE WALL PIPE



DIMENSIONS 101

A	B	C	D	E	F
18"	31"	23"	13"	20"	12"

DIMENSIONS 1001

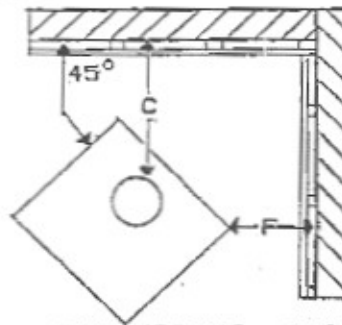
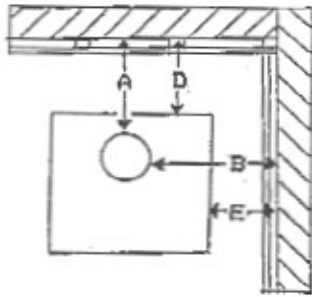
A	B	C	D	E	F
18"	31"	23"	13"	22"	14 1/2"

PROTECTED WALL INSTALLATION*

NOTE: All measurements are through the wall protector to the closest combustible surface.

MOBILE HOME OR RESIDENTIAL - Using Type A vent chimney or Type E vent pipe, to the top of the stove.

TYPE A VENT



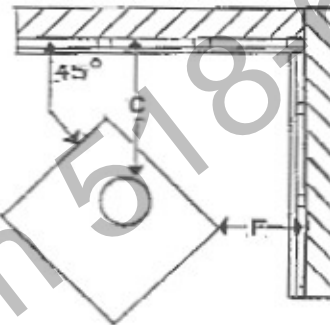
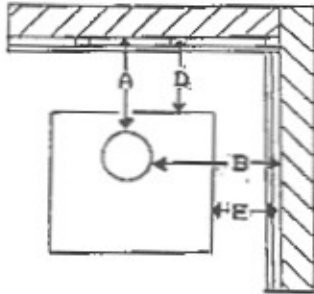
DIMENSIONS 101

DIMENSIONS 1001

A	B	C	D	E	F
12"	22"	18"	8"	12"	4"

A	B	C	D	E	F
12"	22"	18"	8"	14"	6"

TYPE E VENT



DIMENSIONS 101

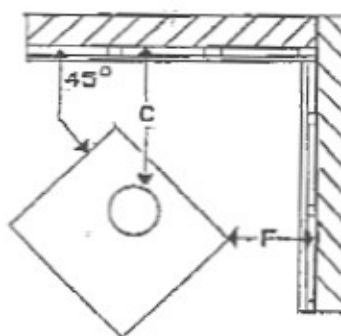
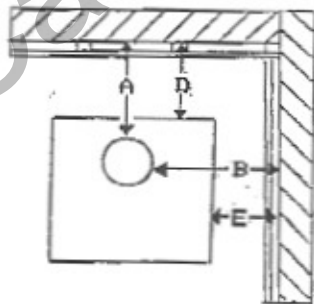
DIMENSIONS 1001

A	B	C	D	E	F
12"	22"	18"	8"	12"	4"

A	B	C	D	E	F
12"	22"	18"	8"	14"	6"

RESIDENTIAL (not approved for mobile homes) - Using single wall connector to the top of the stove.

SINGLE WALL PIPE



DIMENSIONS 101

DIMENSIONS 1001

A	B	C	D	E	F
13"	23"	15"	8"	12"	4"

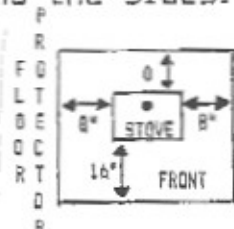
A	B	C	D	E	F
13"	23"	15"	8"	14"	6"

*A protected wall system must be approved by your local building official. Generally, it is defined as a non-combustible material with a minimum of 1" air space behind. Check your local building codes or a qualified installer.

FLOOR PROTECTION

MATERIAL Your Earth Stove requires the use of a floor protector that meets minimum UL standards. This can be a light gauge metal pan with ceramic tile or brick, pre-cast masonry or other listed non-combustible floor protection that resists heat transfer.

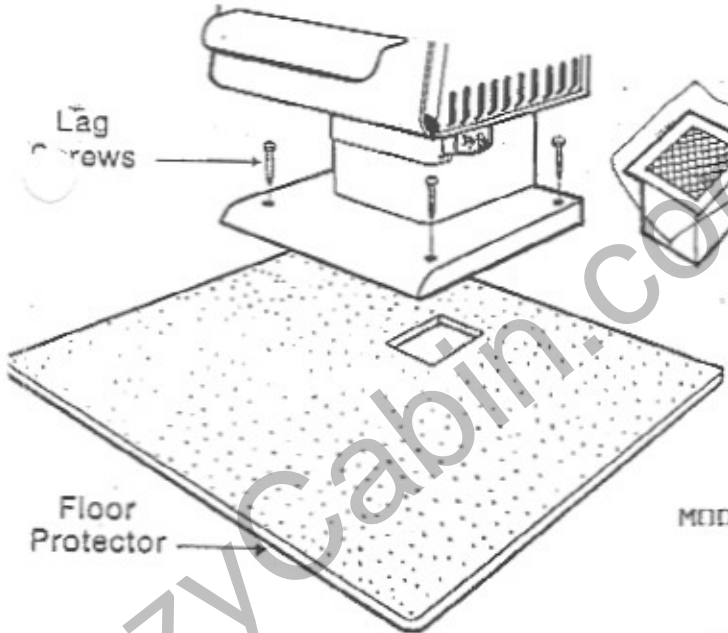
SIZE The floor protector must extend 16" in front of the door opening and 8" beyond the sides.



OUTSIDE AIR In all mobile homes and many municipalities, a stove may be required to use "outside air" for its primary source for combustion. Below are two types of outside air connections provided for in the various models of The Earth Stove.

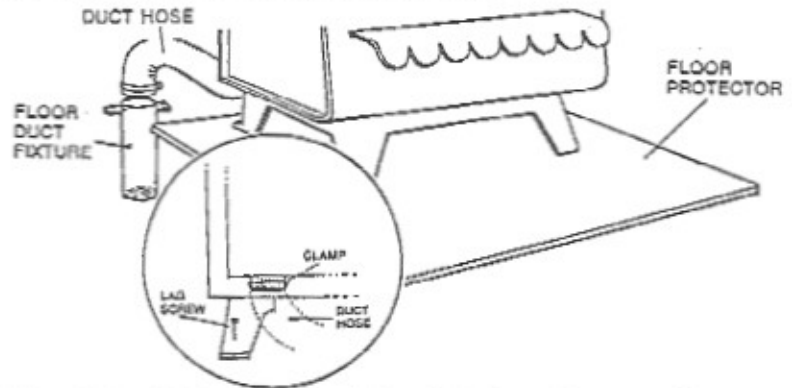
Air ducts and connector kits are available through your dealer.

MODELS 102/1002(HT)-D/S26



The pedestal style stove will take air directly through the base, and requires a hole through the floor protector and the use of the floor air duct to penetrate into the air space below the home

MODELS 101/1001/1001(HT)-D*



Stoves with a leg base utilize a 3" flex pipe connection beneath or at the rear of the stove. Outside air can be taken from beneath the home or through an outside wall.

In all cases, the air duct opening must be kept clear of any possible obstruction including loose floor insulation or drifting snow.

CHIMNEYS

The chimney is a vital part of your stove installation. A properly built masonry chimney (see Fig.4) or a properly installed factory built chimney (see Fig.5) will assure a consistent draft under a variety of weather conditions. (A smoking stove will almost invariably point to a chimney problem.)

All chimneys must be installed either according to local building codes in the case of a masonry chimney or according to the chimney manufacturer's instructions in the case of a factory built metal chimney.

See the chimney manufacturers instructions for exact specifications.

Fig. 4

Tile-lined masonry chimney

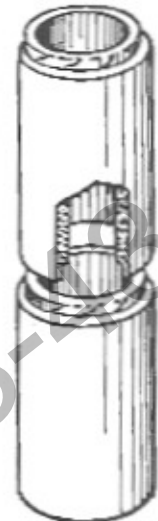
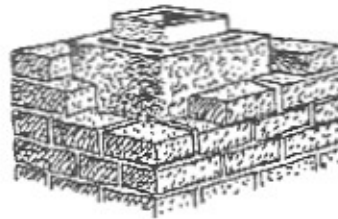


Fig. 5

Factory built metal chimney

CHIMNEY HEIGHT REQUIREMENTS

The chimney must extend 3 feet above the level of roof penetration and a minimum of 2 feet higher than any roof surface within 10 feet. Check with your local code officials for any additional regional guidelines.

Due to prevailing winds, local terrain, adjacent tall trees, a hill or ravine near the home, or adjacent structures, additional chimney height may be required.

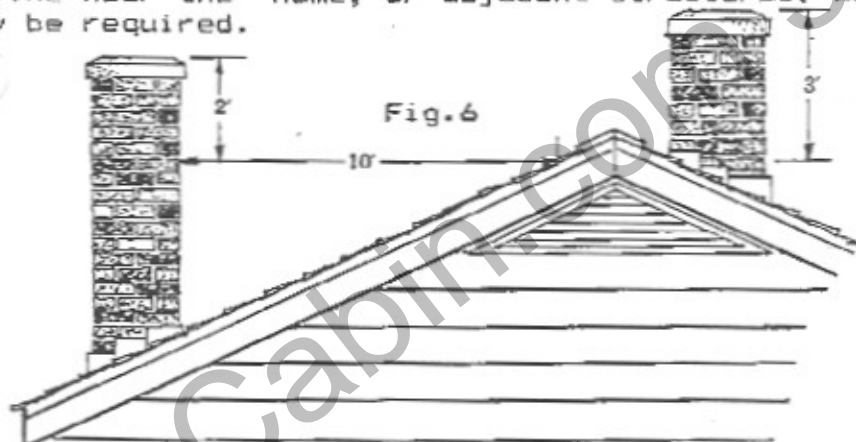


Fig.6

CHIMNEY INSPECTION

We strongly recommend the inspection of any existing chimney before installing the stove. Consult your local building department for chimney code requirements. A masonry chimney should have a code approved liner. This liner must not have broken or missing pieces.

Some non-code masonry chimneys can be professionally re-lined and thus be brought up to code. (Consult your dealer or the yellow pages.)

Factory built metal chimneys should also be inspected, first for creosote deposits, which should be removed, and then for integrity of the stainless steel liner. Look for obvious bulges in the lining (use a good flashlight) which may indicate the need to replace that section. Also inspect the attic to see that the chimney has proper clearance to combustible framing members.

OPERATION

BREAK IN

Steel is extremely strong and durable but requires a break-in period to allow the stresses built into the metal during welding to be relieved. Build your first fires as small fires and gradually over a period of days let the temperature increase to your normal operating temperature.

Your original finish paint will require several hours to cure with a moderate fire. During this time, the room (or house) should be well ventilated, as the fumes can be quite severe and in some cases will even set off a smoke alarm. We recommend that the original finish be cured before any new paint is applied.

NOTE: DO NOT touch paint during curing period.

FUEL

WARNING!

DO NOT USE GASOLINE, LIGHTER FLUID, KEROSENE OR OTHER FLAMMABLE LIQUIDS TO START OR FRESHEN A FIRE. STORE SUCH LIQUIDS FAR FROM THE STOVE.

Use only natural dry wood. Do not burn particle board scraps or pressed logs using bonding agents. These produce temperatures which can erode metal. Do not burn garbage. (You may burn newspapers and most packaging materials, but nothing plastic.) Do not use these as primary fuels. Do not overload with kindling wood. This can result in overfiring. Green or uncured wood does not work well as fuel, and may cause creosote buildups in the chimney, posing a fire threat. The value of green wood as a source of heat is limited.

STARTING THE FIRE

DON'T elevate the fire on a grate. Build it directly on the fire brick in the bottom of the stove.

Set the draft control to high. Place five or six loosely crumpled sheets of newspaper in the bottom of the stove. Arrange kindling loosely stacked on top. Throw a few more pieces of paper on top and light the lower paper, then light the paper above. Once the fire is well underway, close the fuel door. The upper flame will preheat the chimney and create an effective draft.

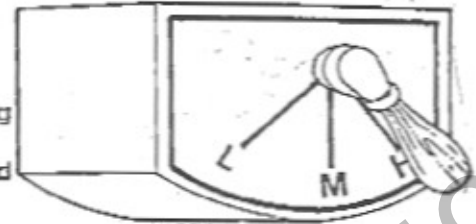
When the kindling is burning well, add increasingly larger pieces of wood until fire is underway. After fire is established, set the draft control to maintain the desired heat output.

THERMOSTAT OPERATION

Your stove is equipped with a thermostatically controlled air intake. This feature allows the stove to react to the heat output, constantly monitoring and regulating its air supply, producing a consistent and even heating cycle.

The temperature of the stove can be controlled by adjusting the thermostat dial to any of the variable settings between high and low.

NOTE: The thermostat is calibrated at the factory and should not be tampered with.



REFUELING

To refuel the stove, move the air control to a higher setting. Let the fire "liven up" for about one minute. Open the fuel door about 1/2 inch and hold in this position about 30 seconds. Open the door and add wood. **NOTE:** Do not forget to reset the thermostat to the desired position.

DANGER: OVERFIRING

A glowing chimney connector is a sign that you are overfiring the stove. This could ignite creosote buildups in the chimney which should have been removed through more frequent chimney cleanings. Another danger of overfiring is the possible ignition of combustible furnishings which may have been moved closer to the stove than the stove listing allows.

WARNING: Keep the fuel door seal in good condition; otherwise with this additional source of air, the stove may burn too hot.

DO NOT leave the fuel door open or ajar as a way of providing air to the fire. This can produce excessive temperatures which could damage the stove. (Such damage is not covered by the warranty.)

ASH REMOVAL AND DISPOSAL

Ashes can hold live embers for several days, and must be disposed of carefully. What you may assume to be cold ashes often times have enough heat to start a fire. They should be placed in a metal container as they are removed from the stove. **NEVER** place ashes in a cardboard box or any combustible receptacle. The metal container must also have a tightfitting metal lid. The closed container should be stored only on a non-combustible surface, away from combustible materials. Keep ashes in this closed container until you are sure all cinders have completely cooled.

COMBUSTIBLES NEAR STOVE

An often overlooked potential danger in the use of woodburning stoves is the placement of combustible furnishings too close to the stove. **TYPICAL SITUATIONS:** Drying clothes near the stove, stacking wood near the stove, setting a couch or chair too near the stove.

Always remember that the clearances shown on pages 4 and 5 were established by laboratory testing to provide enough space between the stove and combustibles for safe operation.

MAINTENANCE

KEEP CHIMNEY CLEAN

The wood you burn and the way you burn it will determine how often the chimney will need cleaning. If the stove begins to smoke when you open the fuel door, suspect a dirty chimney.

INSPECT THE CHIMNEY TWICE MONTHLY, until it becomes apparent how long it can go until cleaning time. If you are not experienced, or feel hesitant about cleaning the chimney, call a professional!

Remember that deposits in the chimney can ignite into a chimney fire. Should that ever happen, shut fuel door and the air control and then call the fire department as a precaution.

DOOR GASKET

A spun ceramic gasket provides the seal around the fuel door. Should this become frayed or damaged it should be replaced. Spun ceramic "rope" gasketing can be purchased from your dealer or some hardware stores. It should be the same diameter as the original. Use silicone sealer or furnace cement as an adhesive.

PAINT

Should you wish to repaint the stove to renew the finish or to change its color, paint may be purchased from your dealer and some hardware stores. (Use only hi-temp stove paint.) Do not use "stove blacking," since this is formulated mainly of graphite and will prevent paint from sticking should you desire to paint the stove later.

CAUTION: Never attempt to paint a hot stove!

NOTE: Should you wish to change the stove's color while still new, start a fire to cure the original paint before repainting.

TROUBLESHOOTING

SMOKES OUT FUEL DOOR WHEN OPEN

- (1) Deposits may have built up in chimney and are restricting the upward movement of smoke, or the spark arrester on top of chimney may be plugged.
- (2) Horizontal smoke pipe too long, or too many elbows when venting into a chimney in the wall.
- (3) Chimney not tall enough to provide proper lift.
- (4) House is too airtight. (It takes 20 to 30 minutes for problem to appear as stove lowers air pressure in house.) Crack a window open or provide an outside source of air near stove.
- (5) Chimney too small.
- (6) Chimney too cool. Set thermostat to higher setting for a few minutes before opening fuel door.
- (7) Excess buildup on inside of stove's sides and door, (usually found in catalytic stoves). Burn a small, hot fire at more frequent intervals (with by-pass open in catalytic stoves).

LIMITED WARRANTY

Sole And Exclusive Remedy

To the ORIGINAL PURCHASER of a stove during the period of warranty coverage stated below, The Earth Stove warrants the stove to be free of defects in material and workmanship. This warranty gives you specific legal rights and you may have other rights which vary from state to state. Some states MAY NOT ALLOW the limitations or exclusions set forth below SO THE LIMITATIONS OR EXCLUSIONS MAY NOT APPLY TO YOU.

SCOPE OF COVERAGE	PERIOD OF COVERAGE	FAILURE COVERED
1. PARTS	1 YEAR from date of purchase	Defective materials or workmanship
2. PARTS EXCEPT electrical components, fire-brick, door, glass, insulation seal and paint. Warranty will be pro-rated as follows: Year 2 - 80% current retail cost of replacement or repair. Year 3 - 60% Year 4 - 40% Year 5 - 20%	2 THROUGH 5 YEARS from date of purchase	Defective materials or workmanship

No repair or replacement costs will be honored without the prior approval of The Earth Stove or its authorized dealer. You may obtain the benefits of this warranty coverage on a failed part by returning the part to your Earth Stove Manufacturer or authorized dealer AT PURCHASERS EXPENSE, for inspection prior to repair or replacement. This warranty DOES NOT include or cover the cost of inspection or labor involved in removing or replacing a defective part, all of which must be borne by the purchaser.

This warranty is limited to defects in material and workmanship, and it does not apply to loss or damage which is the result of accident, misuse, negligence, improper installation or any other cause occurring after delivery to the ORIGINAL PURCHASER.

No person is authorized to extend or enlarge any liability or obligation which we may have in connection with the sale of the stove.

ALL OTHER WARRANTIES, expressed, implied or statutory, including warranties or fitness for a particular purpose of merchantability are conditioned upon compliance with the following terms and are LIMITED TO a period ending ONE YEAR after the original retail purchase after which there are no remedies which extend beyond the description on the face hereof.

WE SHALL NOT BE LIABLE FOR INCIDENTAL OR CONSEQUENTIAL DAMAGES OR COMMERCIAL LOSS, NOR FOR ANY OTHER LOSS OR DAMAGE EXCEPT AS SET FORTH ABOVE.

IMPORTANT: This warranty is NOT VALID unless:

- A. The warranty registration card has been properly completed and returned within 30 days of purchase.
- B. The defective stove or part is promptly delivered, with ALL FREIGHT AND HANDLING CHARGES PREPAID, to The Earth Stove or our authorized dealer from which the stove was purchased.

For your records:

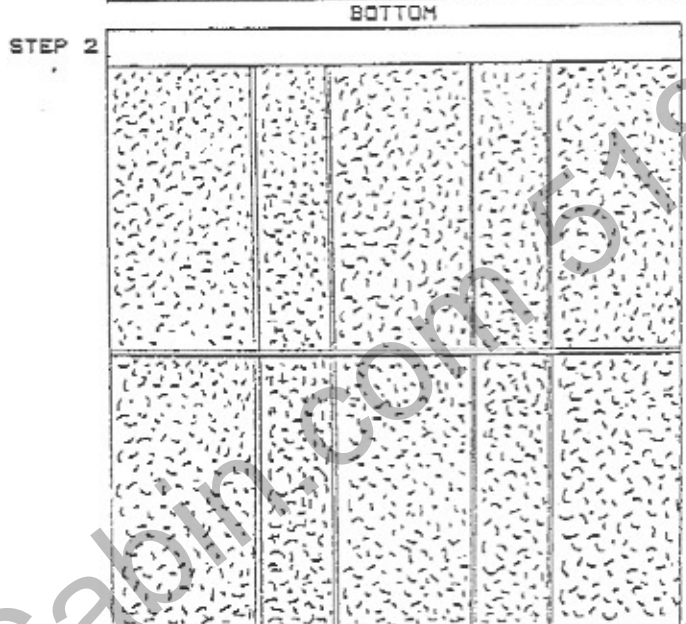
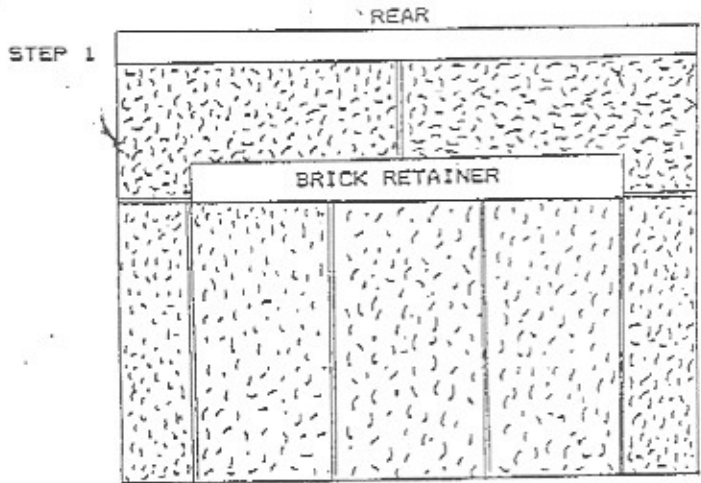
Date Purchased _____ Authorized Dealer _____

Model No. _____ Serial No. _____

The Earth Stove
9775 S.W. Commerce Circle
Wilsonville, OR 97070
(503) 682-3384

CozyCabin.com 518-623-4349

FLAT PATTERN FOR REFERENCE ONLY-WORK TO FINISHED DIMENSIONS



This Drawing is The Property Of The Earth Stove, Inc. And Embodies Confidential Proprietary Design In Which The Earth Stove Retains All Patent And Other Rights, Including Exclusive Right Of Use, Manufacture Or Sale. It is Submitted Under A Confidential Relationship For A Specific Purpose And The Equipment Agrees By Accepting This Drawing Not To Supply Or Disclose Any Information Relating It To Any Other Party Or To Use It For Any Purpose Other Than The Specific Purpose For Which Submitted.		MAT'L	The Earth Stove			
		QTY/UNIT	PART			
		DWN	DATE	SCALE	PART NO.	REV.
	A	APV	DATE	TOLERANCE		
	KEY.					

101 1986- Side Hinged Door.

EARTH STOVE MARKETING, INC.
BLDG.C-7 9775 S.W. COMMERCE CIRCLE
WILSONVILLE, OREGON 97070
(503) 682-3384

THE EARTH STOVE 1984

PRINTED IN U.S.A.

CozyCabin.com 518-623-4349