



**INSTALLER/CONSUMER
SAFETY INFORMATION**

**PLEASE READ THIS MANUAL
BEFORE INSTALLING AND
USING APPLIANCE**

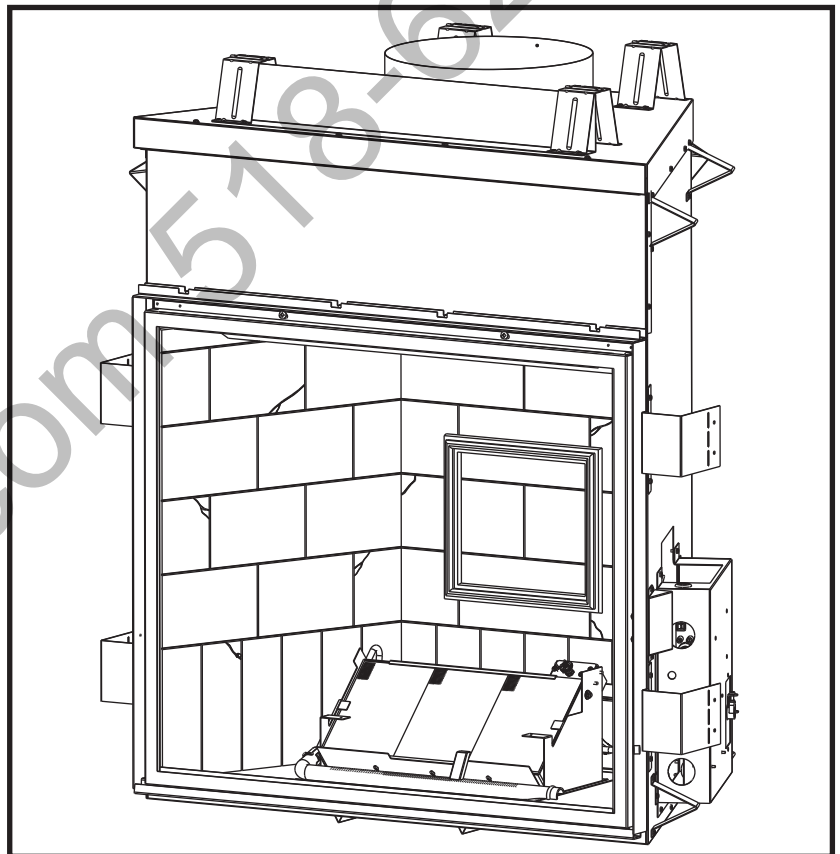
WARNING!
**IF THE INFORMATION IN THIS
MANUAL IS NOT FOLLOWED
EXACTLY, A FIRE OR EXPLOSION
MAY RESULT CAUSING
PROPERTY DAMAGE, PERSONAL
INJURY OR LOSS OF LIFE.**

FOR YOUR SAFETY
**Installation and service must
be performed by a qualified
installer, service agency or
the gas supplier.**

- WHAT TO DO IF YOU SMELL GAS:**
- Do not try to light any appliance.
 - Do not touch any electric switch;
 - Do not use any phone in your building.
 - Immediately call your gas supplier from your neighbor's phone. Follow the gas suppliers instructions.
 - If you cannot reach your gas supplier call the fire department.

**DO NOT STORE OR USE
GASOLINE OR OTHER
FLAMMABLE VAPORS AND
LIQUIDS IN THE VICINITY OF
THIS OR ANY OTHER
APPLIANCE.**

**Chateau™
Direct Vent Gas
Fireplace
Model: DVT38IN, DVT44IN**



**Installation Instructions and
Homeowner's Manual**

**INSTALLER: Leave this manual with the appliance.
CONSUMER: Retain this manual for future reference.**



Table of Contents

Please read the installation & operating instructions before using this appliance.

Thank you and congratulations on your purchase of a CFM Corporation fireplace.

IMPORTANT: Read all instructions and warnings carefully before starting installation.

Failure to follow these instructions may result in a possible fire hazard and will void the warranty.

Installation & Operating Instructions	General Information, Warnings, Cautions	3	
	Commonwealth of Massachusetts Requirements	4	
	Fireplace Dimensions	5	
	Locating Your Fireplace	6	
	Clearance to Combustibles	6	
	Mantels	6	
	Hearth	7	
	Framing & Finishing	7	
	Final Finishing	7	
	Gas Specifications	8	
	Gas Inlet and Manifold Pressures	8	
	High Elevations	8	
	Gas Line Installation	8	
	Electrical Junction Box	9	
	Control System	9	
	Control System Installation	9	
	Remote Control Transmitter Operating Instructions	11	
	General Venting Information	General Venting	15
		General Venting Information - Termination Location	16
		Quick Reference for Fresh Air Restrictor Plate / Flue Baffle	17
General Information Assembling Vent Pipes		18	
SK8 Venting Pipes		18	
Horizontal Termination		18	
Vertical Termination		18	
Sidewall Applications		19	
Use of the Restrictor Plates in Horizontal Venting Applications		19	
Sidewall Installation		20	
Vertical Through-the-Roof Applications		22	
Use of Restrictor Plates for Vertical Venting Applications		22	
Vertical Through-the-Roof Installation		23	
Operating Instructions	Chimney Components	25	
	Glass Information	26	
	Glass Frame Assembly Removal	26	
	Glass Cleaning	26	
	Restrictor Plate Installation	26	
	Ceramic Refractory Installation	27	
	Log, Lava Rock and Ember Placement	28	
	Flame Characteristics	33	
	Trim Installation	34	
	Lighting and Operating Instructions (Automatic Control System)	35	
Maintenance Replacement Parts Accessories Warranty Energuide	Troubleshooting	36	
	Fuel Conversion	39	
	Cleaning the Control System	42	
	43	
.....	46		
.....	47		
.....	48		

Installation & Operating Instructions

This gas fireplace must be installed by a qualified installer, preferably NFI or WETT (Canada) certified, in accordance with local building codes and with current CSA-B149.1 Installation codes for Gas Burning Appliances and Equipment. For USA Installations follow local codes and/or the current National Fuel Gas Code. ANSI Z223.1/NFPA 54.

FOR SAFE INSTALLATION AND OPERATION PLEASE NOTE THE FOLLOWING:

1. This fireplace gives off high temperatures and should be located out of high traffic areas and away from furniture and draperies.
2. Children and adults should be alerted to the hazards of the high surface temperatures of this fireplace and should stay away to avoid burns or ignition of clothing.
3. **CAUTION: Due to high glass surface temperature children should be carefully supervised when in the same room as fireplace.**


WARNING



HOT GLASS WILL CAUSE BURNS.

DO NOT TOUCH GLASS UNTIL COOLED.

NEVER ALLOW CHILDREN TO TOUCH GLASS.

4. Under no circumstances should this fireplace be modified. Parts removed for servicing should be replaced prior to operating this fireplace again.
5. A professional service person should be contacted to inspect the fireplace annually. More frequent cleaning may be required due to excess lint and dust from carpeting, bedding material, etc.
6. Control compartments, burners and air passages in this fireplace should be kept clean and free of dust and lint. Make sure that the gas valve and pilot light are turned off before you attempt to clean this fireplace.
7. The venting system (chimney) of this fireplace should be checked at least once a year and if needed your venting system should be cleaned.
8. Keep the area around your fireplace clear of combustible materials, gasoline and other flammable vapor and liquids. This fireplace should not be used as a drying rack for clothing, nor should Christmas stockings or decorations be hung on or around the fireplace.
9. Under no circumstances should any solid fuels (wood, coal, paper or cardboard etc.) be used in this fireplace.
10. The flow of combustion and ventilation air must not be obstructed in any way.
11. When the fireplace is installed directly on carpeting, vinyl tile or any combustible material other than wood, this fireplace must be installed on a metal or wood panel extending the full width and depth of the fireplace.
12. This fireplace requires adequate ventilation and combustion air to operate properly.

13. This fireplace must not be connected to a chimney flue serving a separate solid fuel burning fireplace.
14. When the fireplace is not in use it is recommended that the gas control valve be left in the "OFF" position.
15. For operation during power outages, the installation of the optional battery back-up kit Model DVTBBK is recommended at initial installation.

This appliance has been designed, certified and approved to be installed indoors only.

DVT38IN / DVT44IN

Certified To

ANSI Z21.50a-2008/CSA 2.22a-2008

Vented Gas Fireplace

WARNING: Check with your electronics manufacturer before installing a television or other electronic device above this fireplace.

This appliance may be installed in an aftermarket permanently located, manufactured home or mobile home, where not prohibited by local codes. This appliance is only for use with the type of gas indicated on the rating plate. This appliance is not convertible for use with other gases, unless a certified kit is used. The DVT38/44 has been approved for mobile home installations.

IMPORTANT:

PLEASE REVIEW THE FOLLOWING CAREFULLY

Remove any plastic from parts before turning the fireplace ON.

It is normal for fireplaces fabricated of steel to give off some expansion and/or contraction noises during the start up or cool down cycle. Similar noises are found with your furnace heat exchanger or car engine.

It is not unusual for your gas fireplace to give off some odor the first time it is burned. This is due to the curing of the paint and any undetected oil from the manufacturing process.

Please ensure that your room is well ventilated-open all windows.

It is recommended that you burn your fireplace for at least ten (10) hours the first time you use it.

Proposition 65 Warning: Fuels used in gas, woodburning or oil fired appliances, and the products of combustion of such fuels, contain chemicals known to the State of California to cause cancer, birth defects and other reproductive harm. California Health & Safety Code Sec. 25249.6

Installation & Operating Instructions

Requirements for the Commonwealth of Massachusetts

All gas fitting and installation of this heater shall only be done by a licensed gas fitter or licensed plumber.

For all side wall horizontally vented gas fueled equipment installed in every dwelling, building or structure used in whole or in part for residential purposes, including those owned or operated by the Commonwealth and where the side wall exhaust vent termination is less than seven (7) feet above finished grade in the area of the venting, including but not limited to decks and porches, the following requirements shall be satisfied:

Installation of Carbon Monoxide Detectors

At the time of installation of the side wall horizontal vented gas fueled equipment, the installing plumber or gas fitter shall observe that a hard wired carbon monoxide detector with an alarm is installed on each additional level of the dwelling, building or structure served by the side wall horizontally vented gas fueled equipment. It shall be the responsibility of the property owner to secure the services of qualified licensed professionals for the installation of hard wired carbon monoxide detectors.

In the event that the side wall horizontally vented gas fueled equipment is installed in a crawl space or an attic, the hard wired carbon monoxide detector with alarm and battery back-up may be installed on the next adjacent floor level.

In the event that the requirements of this subdivision can not be met at the time of completion of installation, the owner shall have a period of thirty (30) days to comply with the above requirements; provided, however, that during said thirty (30) day period, a battery operated carbon monoxide detector with an alarm shall be installed.

Approved Carbon Monoxide Detectors

Each carbon monoxide detector as required in accordance with the above provisions shall comply with NFPA 720 and ANSI/UL 2034 listed and IAS certified.

Signage

A metal or plastic identification plate shall be permanently mounted to the exterior of the building at a minimum height of eight (8) feet above grade directly in line with the exhaust vent terminal for the horizontally vented gas fueled heating appliance or equipment. The sign shall read, in print size no less than one-half (1/2) inch in size, "**GAS VENT DIRECTLY BELOW, KEEP CLEAR OF ALL OBSTRUCTIONS**".

Inspection

The state or local gas inspector of the side wall horizontally vented gas fueled equipment shall not approve the installation unless, upon inspection, the inspector observes carbon monoxide detectors and signage installed in accordance with the provisions of 248 CMR 5.08(2)(a)1 through 4.

Exemptions

The following equipment is exempt from 248 CMR 5.08(2)(a)1 through 4:

- The equipment listed in Chapter 10 entitled "Equipment Not Required To Be Vented" in the most current edition of NFPA 54 as adopted by the Board; and
- Product Approved side wall horizontally vented gas fueled equipment installed in a room or structure separate from the dwelling, building or structure used in whole or in part for residential purposes.

MANUFACTURER REQUIREMENTS

Gas Equipment Venting System Provided

When the manufacturer of Product Approved side wall horizontally vented gas equipment provides a venting system design or venting system components with the equipment, the instructions provided by the manufacturer for installation of the equipment and the venting system shall include:

- Detailed instructions for the installation of the venting system design or the venting system components; and
- A complete parts list for the venting system design or venting system.

Gas Equipment Venting System NOT Provided

When the manufacturer of a Product Approved side wall horizontally vented gas fueled equipment does not provide the parts for venting the flue gases, but identifies "special venting systems", the following requirements shall be satisfied by the manufacturer:

- The referenced "special venting system" instructions shall be included with the appliance or equipment installation instructions; and
- The "special venting systems" shall be Product Approved by the Board, and the instructions for that system shall include a parts list and detailed installation instructions.

A copy of all installation instructions for all Product Approved side wall horizontally vented gas fueled equipment, all venting instructions, all parts lists for venting instructions, and/or all venting design instructions shall remain with the appliance or equipment at the completion of the installation.

Fireplace Dimensions - DVT38IN

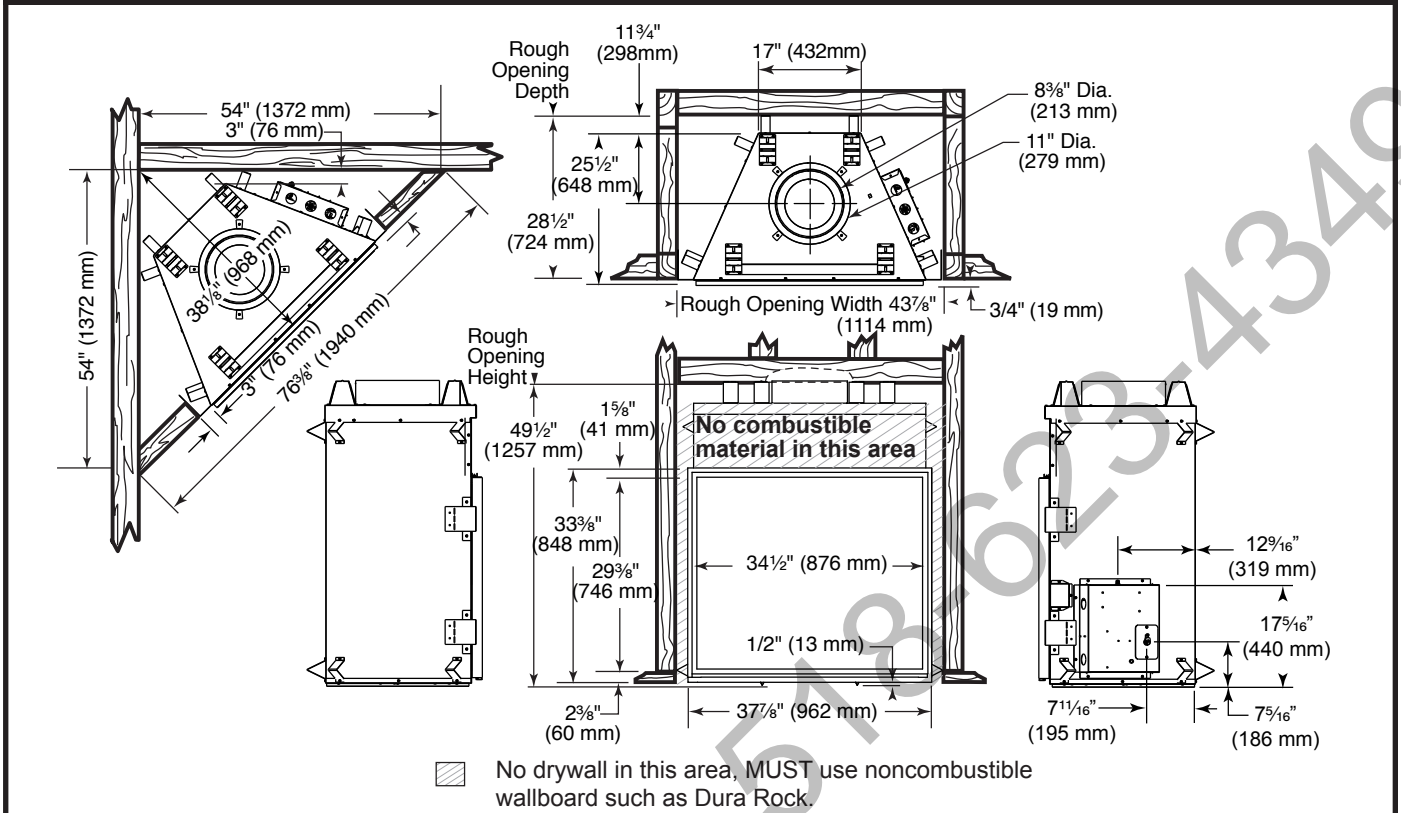


Fig. 1 Fireplace specifications and framing dimensions for DVT38.

Fireplace Dimensions - DVT44IN

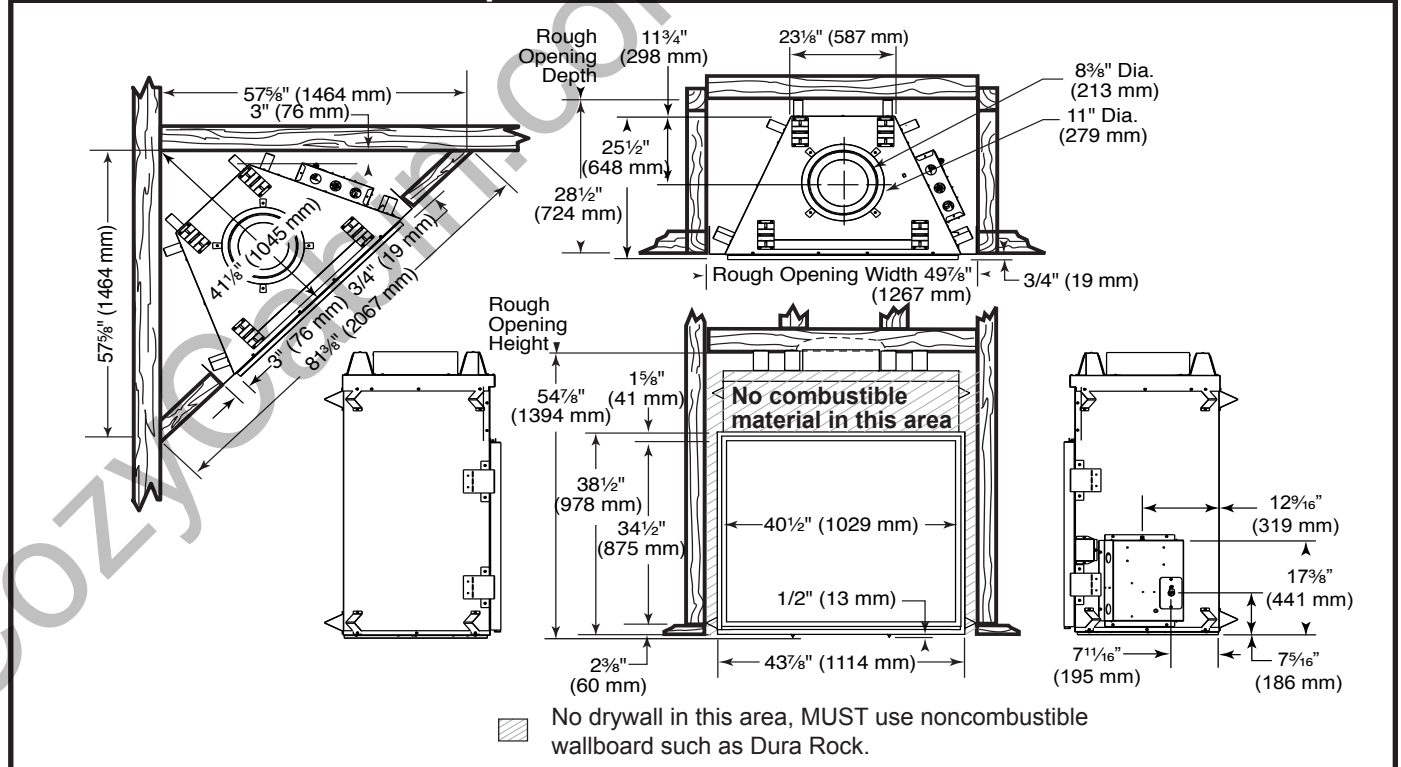


Fig. 2 Fireplace specifications and framing dimensions for the DVT44.

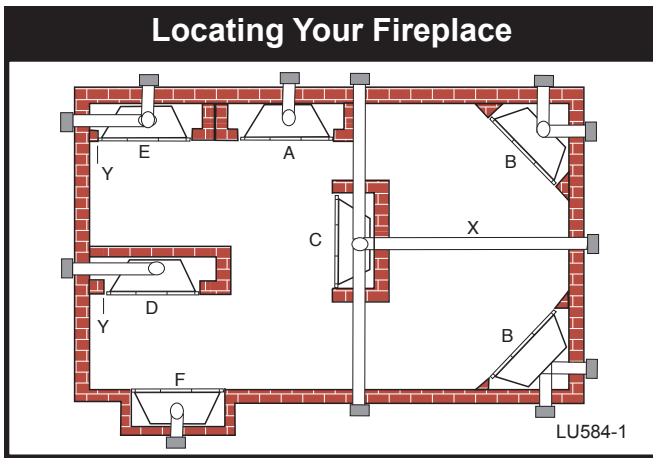


Fig. 3 Locate gas fireplace.

- A) Flat on wall B) Cross corner C) **Island
 D) *Room divider E) *Flat on wall corner F) Chase installation
 Y) 6" minimum

NOTE (Fig. 3):

** Island (C) and Room Divider (D) installation is possible as long as the horizontal portion of the vent system (X) does not exceed 20' (6 m). See details in Venting Section.

* When you install your gas fireplace in (D) Room divider or (E) Flat on wall corner positions (Y), a minimum of 6" (152 mm) clearance must be maintained from the perpendicular wall and the front side edge of the fireplace.

Clearance to Combustibles

Appliance

- Top Standoffs 0" (0 mm)
- Bottom* 0" (0 mm)
- Side Standoffs 0" (0 mm)
- Back Standoffs 0" (0 mm)
- Front 36" (914 mm)
- Top of Unit to Ceiling 36" (914 mm)

Venting

Horizontal Termination through-a-side wall:

Vertical Sections:

- Sides 2½" (64 mm)

Horizontal Sections:

- Top 3½" (89 mm)
- Bottom 1½" (38 mm)
- Sides 2½" (64 mm)

Vertical Vent Application:

- Sides 1½" (38 mm)

* To prevent the potential for odors, do not use epoxy-filled particle board directly under this fireplace.

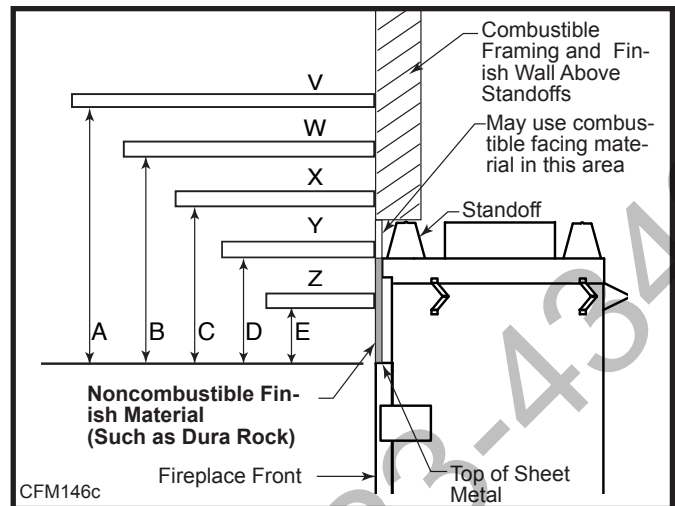
Mantels

The height that a combustible mantel is fitted above the fireplace is dependent on the depth of the mantel. This also applies to the distance between the mantel leg (if fitted) and the fireplace.

For the correct mounting height and widths refer to Figs. 4a and 4b, the following Mantel Charts.

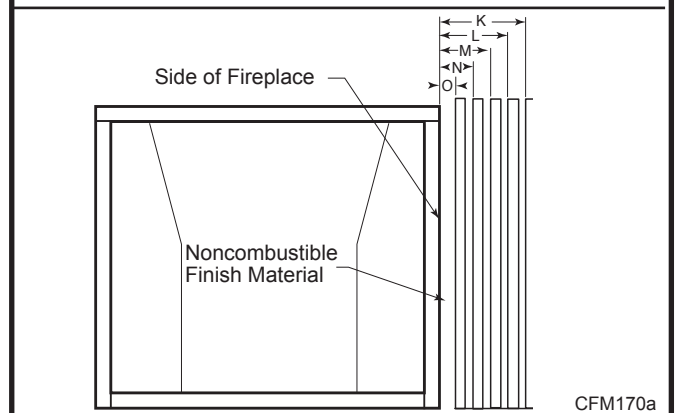
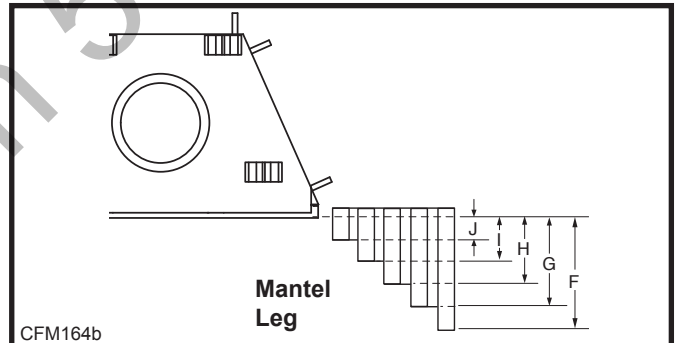
Noncombustible mantels and legs may be installed at any height and width around the appliance.

When using paint or lacquer to finish the mantel, such paint or lacquer must be heat resistant to prevent discoloration.



Mantel Chart			
Ref.	Mantel Shelf or Breast Plate Depth	Ref.	Mantel from Top of Comb. Chamber
V	10" (254 mm)	A	10" (254 mm)
W	9" (229 mm)	B	9" (229 mm)
X	8" (203 mm)	C	8" (203 mm)
Y	7" (178 mm)	D	7" (178 mm)
Z	6" (152 mm)	E	6" (152 mm)

Fig. 4a Combustible mantel minimum installation.



Ref.	Mantel Leg Depth	Ref.	Mantel Leg from Side of Comb. Opening
F	12" (305 mm)	K	12" (305 mm)
G	9" (229 mm)	L	9" (229 mm)
H	6" (152 mm)	M	6" (152 mm)
I	4" (102 mm)	N	4" (102 mm)
J	3" (76 mm)	O	3" (76 mm)

Fig. 4b Combustible mantel leg minimum installation.

Hearth

A hearth is not mandatory but is recommended for aesthetic purposes. We recommend a noncombustible hearth which projects out 12" (305 mm) or more from the front of the fireplace. The hearth cannot exceed 1½" (38mm) in height from bottom of fireplace for ease of door accessibility. (Fig. 5)

Cold climate installation recommendation:



When installing this unit against a non-insulated exterior wall or chase, it is mandatory the outer walls be insulated to conform to applicable insulation codes.

If a vapor barrier is used it can not come into contact with fireplace.

Framing and Finishing

1. Choose the unit location.
2. The unit is shipped with four (4) nailing flanges mounted to the sides near the front corners. (Fig. 5)
3. Frame the fireplace with a header across the top of the standoff. (Fig. 6) It is very important to allow for the finished wall face along with marble, tiles or any other noncombustible face finish material desired when setting the depth of the framing.

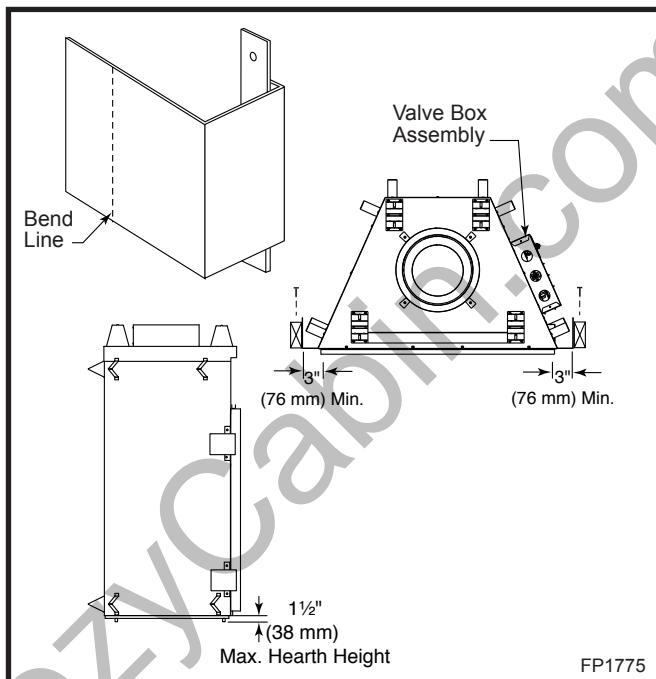


Fig. 5 Nailing flanges.

4. Attach the fireplace nailing flanges to the frame as shown in Figure 5.
5. The gas components are located in the control panel assembly attached to the right side of the unit. (Fig. 5)

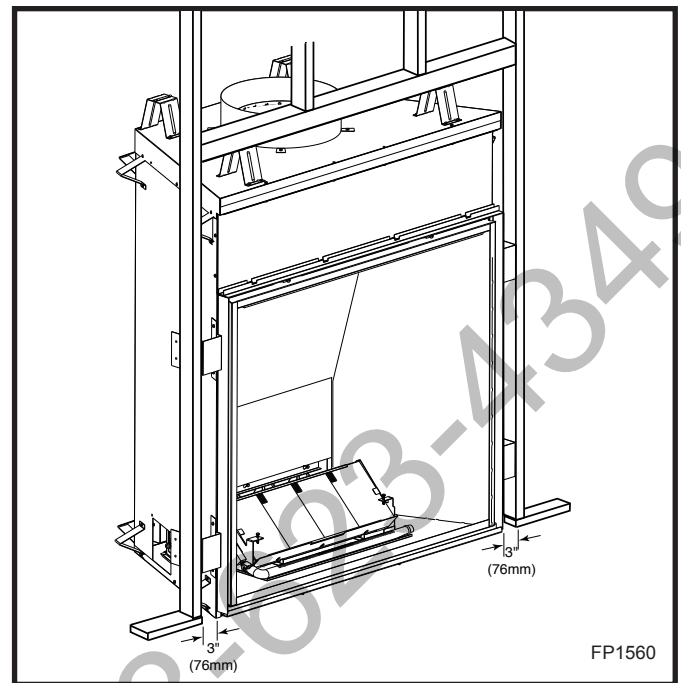


Fig. 6 Fireplace framing.

6. The U-channel located on the top of the unit as well as the nailing flanges on the sides that were mentioned in Step 1, are designed to accommodate noncombustible board (recommended Dura-Rock). They are positioned 1" (25mm) back from the face of the unit. **NOTE:** The U-channel depth can be adjusted by loosening the hex nut inside the channel. If marble, tile or any other noncombustible decorative face finish material is desired, a 3" (76 mm) wide noncombustible board (recommended Dura-Rock) is to be nailed to the nailing flanges on both sides of the unit. Also, 12" (305 mm) of noncombustible board is to be nailed to the front face of the U-channel and the top framing member above the standoff. Combustible material can then be brought to the outside edges of the noncombustible board installed earlier. Any noncombustible decorative face finish could be brought to the sides and top of the unit and can cover the framing and sheet rock. If a decorative facing is not desired, then the noncombustible boards must be double thickness and brought flush with the face of the unit.

Final Finishing

Noncombustible materials such as brick or tile may be brought to the edges of the face of the appliance.

Gas Specifications

Model	Fuel	Gas Control	Max. Input BTU/hr	Min. Input BTU/hr
DVT38IN	Natural Gas	American Flame	46,000	32,000
DVT38IP	Propane	AF-4034	46,000	36,000
DVT44IN	Natural Gas	with	60,000	37,000
DVT44IP	Propane	7.5V DC Hi/Lo	60,000	45,000

Gas Inlet and Manifold Pressures

	Natural	LP (Propane)
Minimum Inlet Pressure	5.5" w.c.	11.0" w.c.
Maximum Inlet Pressure	14.0" w.c.	14.0" w.c.
Manifold Pressure	3.5" w.c.	10.0" w.c.

High Elevations



Input ratings are shown in BTU per hour and are certified without deration for elevations up to 4,500 feet (1,370 m) above sea level.

For elevations above 4,500 feet (1,370 m) in USA, installations must be in accordance with the current ANSI Z223.1/NFPA 54 and/or local codes having jurisdiction.

In Canada, please consult provincial and/or local authorities having jurisdiction for installations at elevations above 4,500 feet (1,370 m).

WARNING: Improper installation, adjustment, alteration, service or maintenance can cause injury or property damage. Refer to this manual for correct installation and operational procedures. For assistance or additional information consult a qualified installer, service agency, or the gas supplier.

Gas Line Installation

-  When purging gas line the front glass must be removed.
-  A gas shut off valve must be installed on the gas pipe line going into the appliance within easy access. Refer to local codes.

The gas pipeline can be brought in through the top of the valve box assembly.

The gas line connection can be made with properly tinned 1/2" copper tubing or 1/2" gas tight. Some municipalities have additional local codes, it is always best to consult your local authority and the **CSA-B149.1** installation codes.

For USA installations consult the current National Fuel Gas Code, **ANSI Z223.1/NFPA 54**.

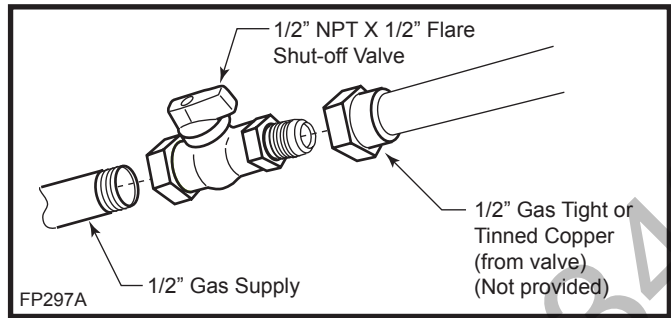




Fig. 7 Typical gas supply installation.


 **Always check for gas leaks with a mild soap and water solution applied with a brush no larger than 1" (25 mm). Never apply soap and water solution with a spray bottle. Do not use an open flame for leak testing.**

 **The fireplace valve must not be subjected to any test pressures exceeding 1/2 psi. Isolate or disconnect this or any other gas appliance control from the gas line when pressure testing.**

The fireplace is equipped with an inlet and manifold pressure test point, therefore it is not necessary to provide a 1/8" test point up stream of the control.

When using copper, use only approved fittings. **Always provide a union** when using black iron pipe so the gas line can be easily disconnected for burner servicing. A union may not be behind a wall. Refer to the gas specifications for pressure details and ratings.

Electrical Junction Box

 **The fireplace, when installed, must be electrically connected and grounded in accordance with local codes or, in the absence of local codes, with the current CSA C22.1 Canadian Electrical Code or the national electrical code ANSI/NFPA No. 70 in the USA.**

 **It is strongly suggested that the wiring of the Electrical Junction Box be carried out by a licensed electrician.**

 **Ensure the power to the supply line has been disconnected before commencing this procedure.**

Control System

The gas control system is located on the right hand side of the firebox behind an access panel and the decorative brick panel. The fireplace is operated using only the hand held remote control unit. The system wiring diagram is shown in Figure 11. **NOTE: If you choose to install either the optional battery back-up module, (Model DVTBBK), or the optional wireless wall mountable remote control, (Part #20012267), it is easier to install these at the time of fireplace installation. Refer to Items #11 & #20 in the next section.**

Control System Installation

1. Locate the fireplace in the desired location.
2. Remove the glass. Refer to Glass Frame Assembly Removal section.
3. If installed, remove the lava rock, volcanic rock, and irons, embers and logs, making note of each log's location.
4. If installed, remove the refractory brick panel right side and rear pieces.
5. Using a back-up wrench, disconnect the gas supply fitting near the right rear corner of the firebox. (Fig. 8)

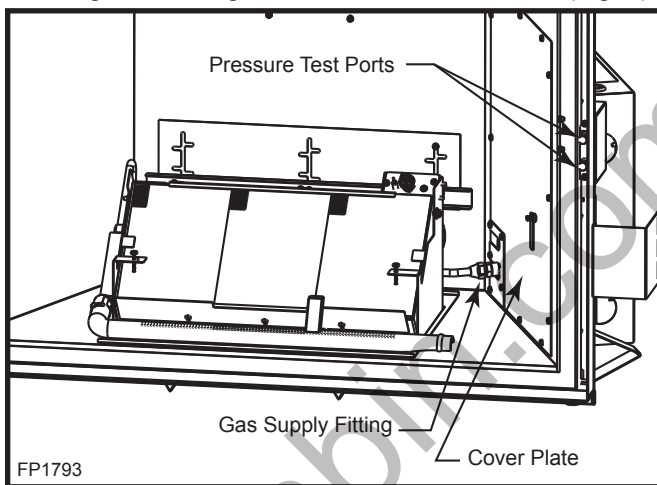


Fig. 8 Disconnect gas supply fitting and remove 13 screws securing the cover plate.

6. Remove pilot assembly from burner assembly by removing two (2) screws.
7. Carefully slide the burner assembly to the left out of the way, taking care not to bend or break the pilot tubes or wiring.
8. Remove 13 screws around the perimeter holding large access panel on the right hand side of the firebox.
9. Carefully pull back the panel just enough to gain access to control box.
10. Connect the gas supply to the valve. (Fig. 9) Be sure to use a back-up wrench when tightening supply fitting.

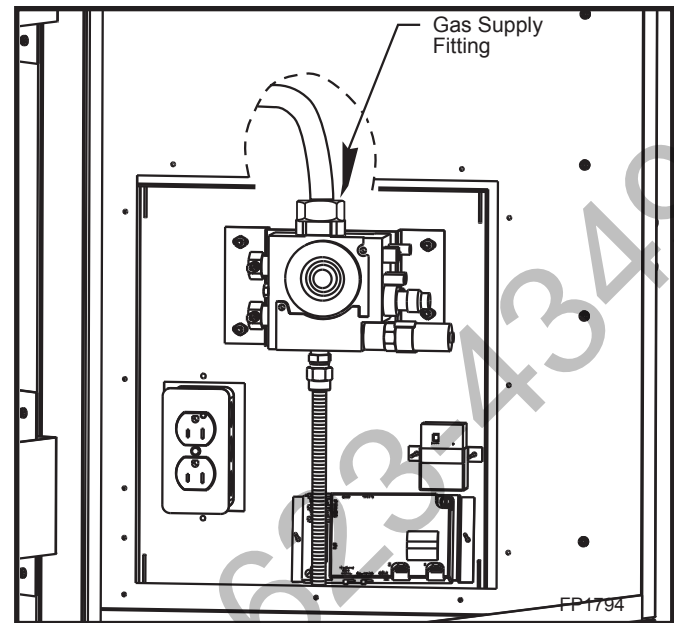


Fig. 9 Connect gas supply to valve.

11. If you chose to install the optional back-up battery pack (No. DVTBBK), you must install a wall box within 15 feet (4.6 m) of the fireplace. Assemble the connectors on one end of the supplied extension wire harness to the mating connectors on the wire harness within the control box. Make sure to connect red coded wire to red coded wire.
12. The other end of the extension wire harness should be connected to the wiring of the back-up battery holder located within a wall box.
13. Insert the supplied four (4) "AA" batteries into the battery holder. Be sure to note correct polarity for each battery.
14. Mount electrical wall box containing back-up batteries at a convenient location with 15 feet (4.6 m) of the fireplace. Cover wall box using a blank wall plate.
15. Connect a 120V AC electrical supply to the junction box duplex outlet. Use a Romex-type strain relief connector when running wires out through the box knockout. Replace the duplex outlet and cover plate.
16. Plug the AC adaptor plug into the duplex outlet.
17. This control must now be programmed to the remote control transmitter(s). To program the remote control(s), make sure the 120V AC is connected and powered to the fireplace.
18. Remove the battery door on the back of the hand held remote control and install two (2) supplied "AAA" batteries. Be sure to note correct polarity. Replace battery door.
19. If you choose to install the optional wireless wall mounted remote control (Part No. 20012267), install two (2) button batteries provided with the remote control by removing four (4) screws holding the back

cover in place. Carefully remove the circuit board. Install batteries with dimpled side showing. (Fig. 10) Carefully replace circuit board and back cover. Tighten screws.

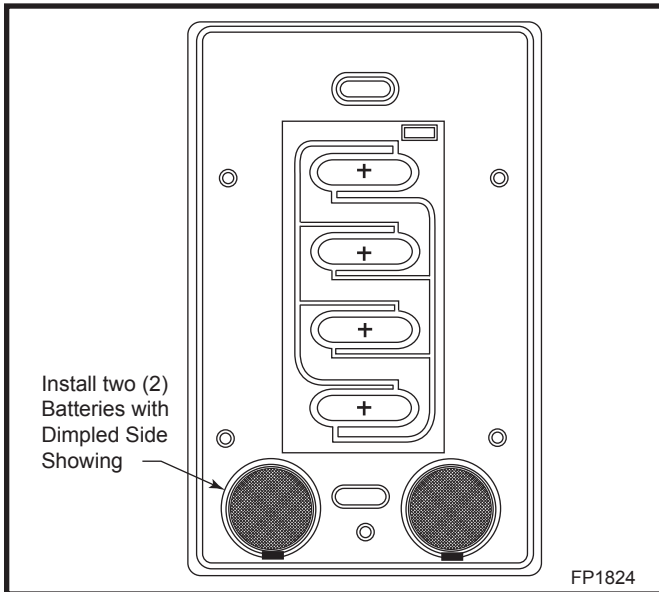


Fig. 10 Inside view of wireless wall switch.

20. Locate the learn button on the main module. (Fig. 11) Press and release the learn button using a pencil point. There will be a beep sound from the module. Then press any key on the hand-held remote control transmitter. Once the module's internal receiver accepts the transmitter code, there will be a series of confirming beeps. If you are using the optional wall mountable remote control transmitter, press the learn button on the main module a 2nd time. There will be a beep sound from the module. Then press the ON button on the wall mountable transmitter. Once the module's internal receiver accepts the transmitter code, there will be a series of confirming beeps.

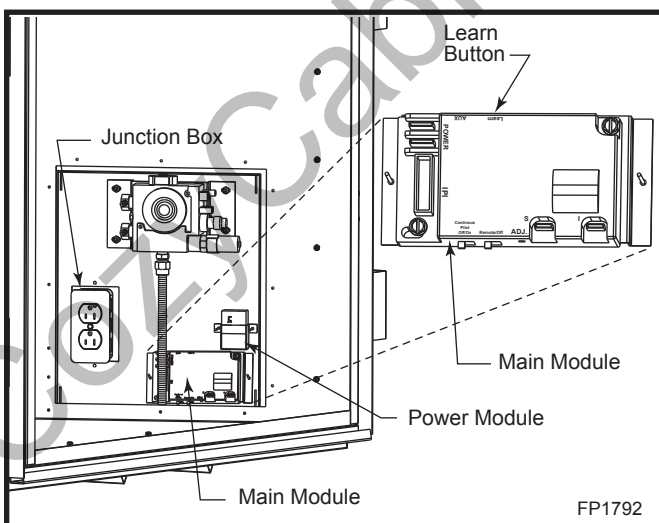


Fig. 11 Connect 120V AC electrical supply.

21. The fireplace remote system is now ready for use and will respond to either wireless transmitter.
22. Reassemble access panel, burner assembly, gas supply connector, brick panels, logs, embers, andirons and lava rock in reverse order of removal. (Refer to Log, Lava Rock and Ember Placement section).
23. Turn on gas supply and check that all connections are tight and leak free.

NOTE: If you need to test the inlet pressure and/or manifold pressure, there are two (2) test ports available along the right side front edge between the firebox side and outer casing. The upper test port is inlet pressure. The lower test port is manifold pressure. (Refer to Figure 8)



CAUTION: Turn off the gas supply before removing test port plug.

24. Using a 7/16" nut driver, remove the threaded plug from the test port.
25. Thread the supplied extension adaptor into the open test port.
26. Attach a 1/4" diameter pressure gauge flexible hose fully onto the barb of the adaptor.
27. Turn on gas supply and operate valve with remote control as needed to indicate gas pressure.



CAUTION: Turn off the fireplace and gas supply before removing test port adaptor and replacing plug.

28. After test, remove extension adaptor and replace plug securely.
29. Turn on gas supply and check that plugs are tight and leak free.

Special Feature for Cold Climates

This gas control system has the option of a continuous pilot feature. This allows the user to change from a spark to pilot system to a standing pilot system for direct vent appliances during cold climate conditions to keep the firebox warm.

When the continuous pilot mode is activated and the fireplace is turned ON, the pilot will spark and light. When the fireplace is turned OFF, the pilot will stay ON when the main burner shuts OFF.

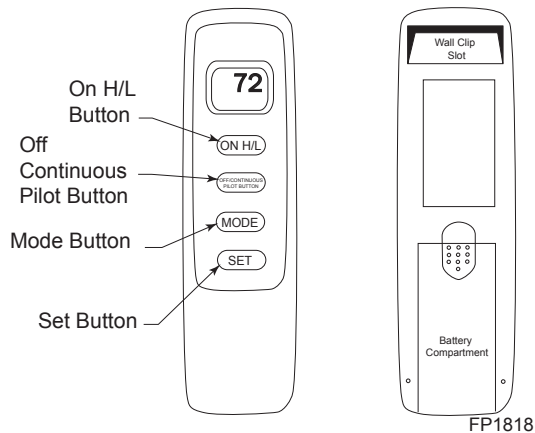
The continuous pilot mode can be activated or de-activated by the hand held remote control transmitter.

Hand-Held Remote Control Transmitter Operating Instructions

Introduction

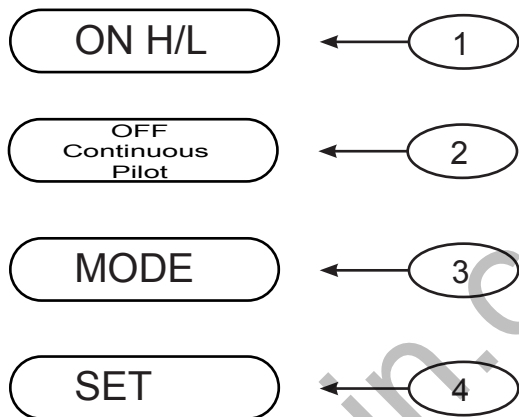
This transmitter operating range is approximately 20 feet (6 m). The transmitter operates on one of 1,048,576 security codes that are programmed into the transmitter at the factory; this transmitter operates on radio frequencies with non-

Transmitter



The transmitter operates on (2) 1.5V AAA batteries. It is recommended that ALKALINE batteries always be used for longer battery life and maximum operational performance.

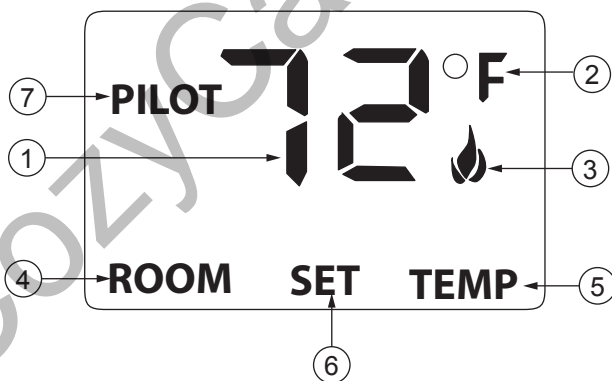
Before using the transmitter, install the (2) AAA transmitter batteries into the battery compartment. (Use caution that batteries are installed in the proper direction.)



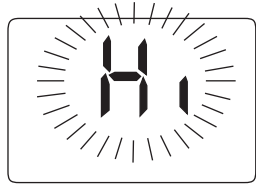
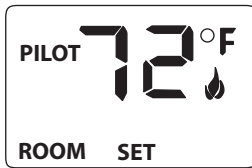
Key Settings

- 1. ON H/L — Turns unit to ON and operates the flame control HI or LO.
- 2. OFF CONTINUOUS PILOT — Shuts the unit OFF and activates the continuous pilot on feature.
- 3. MODE — Changes unit from manual mode to thermostatic mode.
- 4. SET — Sets temperature in thermo mode.

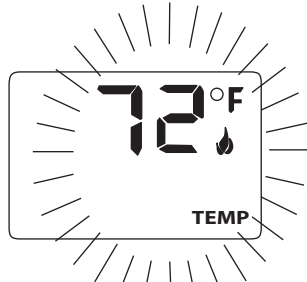
LCD - Liquid Crystal Display



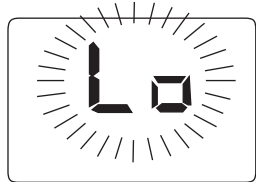
- 1. DISPLAY Indicates CURRENT room temperature.
- 2. ° F or ° C Indicates degrees Fahrenheit or Celsius
- 3. FLAME Indicates burner/valve in operation
- 4. ROOM Indicates remote is in THERMOSTATIC mode
- 5. TEMP Appears during manual operation
- 6. SET Appears while setting the desired temperature in the thermostatic mode
- 7. PILOT Appears in the Continuous Pilot mode



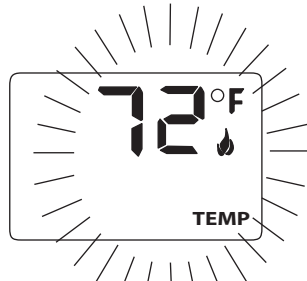
Screen while depressing ON key



Screen after 3 second default



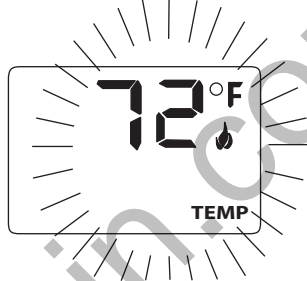
Screen while depressing OFF key



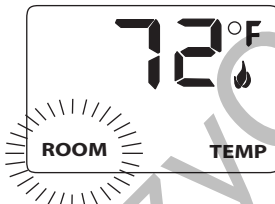
Screen after 3 second default



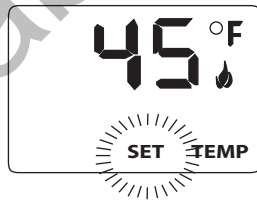
Screen while depressing OFF key



Screen after 3 second default



Screen after depressing MODE key



Screen while depressing SET key

Setting ° F / ° C Scale

The factory setting for temperature is ° F. To change this setting to ° C;

Press the ON H/L key and the OFF CONTINUOUS PILOT key on the transmitter at the same time. This will change from ° F to ° C. Follow this same procedure to change from ° C to ° F.

Manual Function

To operate the system in the manual "MODE" do the following:

ON - HI Flame Operation

Press and release the ON H/L key. The appliance flame will come ON and display will show "HI".

ON - LO Flame Operation

Press the ON H/L key. The appliance flame will modulate down to low flame and display will show "LO".

Changing Flame Height

Press and hold the ON H/L key to raise or lower the flame height.

OFF Operation

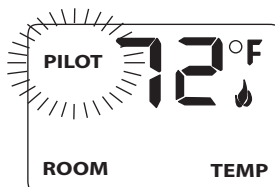
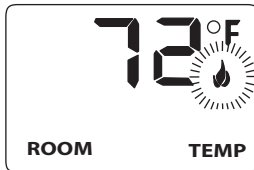
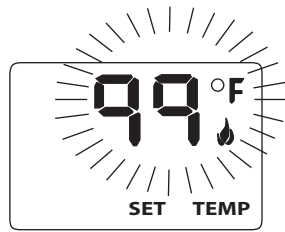
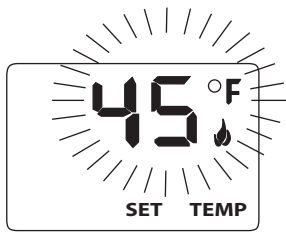
Press the OFF Continuous Pilot key and the appliance flame will shut off. During this time the LCD screen will show "OF". After 3 seconds, the LCD screen will default to display room temperature and the word "TEMP" will also show on the screen. (Flame icon will NOT appear on the LCD screen in OFF mode)

Thermostat Function

Setting Desired Room Temperature

This remote control system can be thermostatically controlled when the transmitter is in the THERMOSTATIC mode. To set the MODE and DESIRED room temperature; Press the MODE key until the LCD screen shows the word "ROOM". The remote is now in the thermostatic mode.

NOTE: When the word "ROOM" is displayed on the screen, the transmitter is in the thermostatic mode.



NOTE: If the appliance is *already* operating in the ON or THERMOSTATIC modes, engaging the “LOCK-OUT” *will not* cancel the operating mode. Engaging the “LOCK-OUT” prevents only the *manual operation of the transmitter*. If in the auto modes, the THERMOSTATIC operation will continue to operate normally. To totally “LOCK-OUT” the operation of the transmitter’s operating signals; the transmitter’s mode must be set to OFF.

To Change the Set Temperature

Press and hold the SET key until the desired set temperature is reached. (By pressing and holding the set key, the LCD screen set numbers will increase from 45° to 99°, then restart at 45°)

Release the SET key. The LCD screen will display the set temperature for 3 seconds, then will flash the set temperature for 3 seconds, then the LCD screen will default to display the room temperature.

To Disengage Thermostatic Mode

Press and release the MODE key or press the OFF CONTINUOUS PILOT key to disengage the thermostatic mode. The word “ROOM” on the LCD screen will not show when the thermostatic mode is not in operation.

NOTE: The highest SET temperature is 99° Fahrenheit (32° Celsius) and the lowest temperature is 45° Fahrenheit (6° Celsius).

CONTINUOUS PILOT FEATURE

This feature allows you to change from a spark to pilot system to a standing pilot system for appliances during Cold Climate to keep the firebox warm.

To operate the CONTINUOUS PILOT FEATURE do the following:

On or Off Operation

Press and hold the OFF CONTINUOUS PILOT key for approximately 5 seconds, until the word “PILOT” appears on the LCD screen.

NOTE: The word “PILOT” will appear on the LCD screen in ON mode.

CP (CHILDPROOF) FEATURE

This SKYTECH remote control includes a CHILDPROOF “LOCK-OUT” feature that allows the user to “LOCK-OUT” operation of the appliance from the transmitter.

SETTING “LOCK-OUT” - (CP)

- To activate the “LOCK-OUT” feature, press and hold the ON H/L key and the MODE key at the same time for 5 seconds. The letters “CP” will appear in the TEMP frame on the LCD screen.
- To disengage the “LOCK-OUT”, press and hold the ON H/L key and the MODE key at the same time for 5 seconds and the letters “CP” will disappear from the LCD screen and the transmitter will return to its normal operating condition.
- To verify the transmitter is in the CP lock-out mode, press any key and the LCD screen will show “CP”.

Operational Notes:

The Thermostatic feature on the transmitter operates the appliance whenever the ROOM TEMPERATURE varies a certain number of degrees from the SET TEMPERATURE. This variation is called the "SWING" or TEMPERATURE DIFFERENTIAL. The normal operating cycle of an appliance may be 2-4 times per hour depending on how well the room or home is insulated from the cold or drafts. The factory setting for the "swing number" is 2. This represents a temperature variation of +/- 2° F (1° C) between SET temperature and ROOM temperature, which determines when the fireplace will be activated. This function is pre-set at the factory.

The transmitter has ON and OFF manual functions that are activated by pressing either button on the face of the transmitter. When a button on the transmitter is pressed the word "ON" or "OF" will appear on the LCD screen to show while the signal is being sent. Upon initial use, there may be a delay of three seconds before the remote receiver will respond to the transmitter. This is part of the system's design.

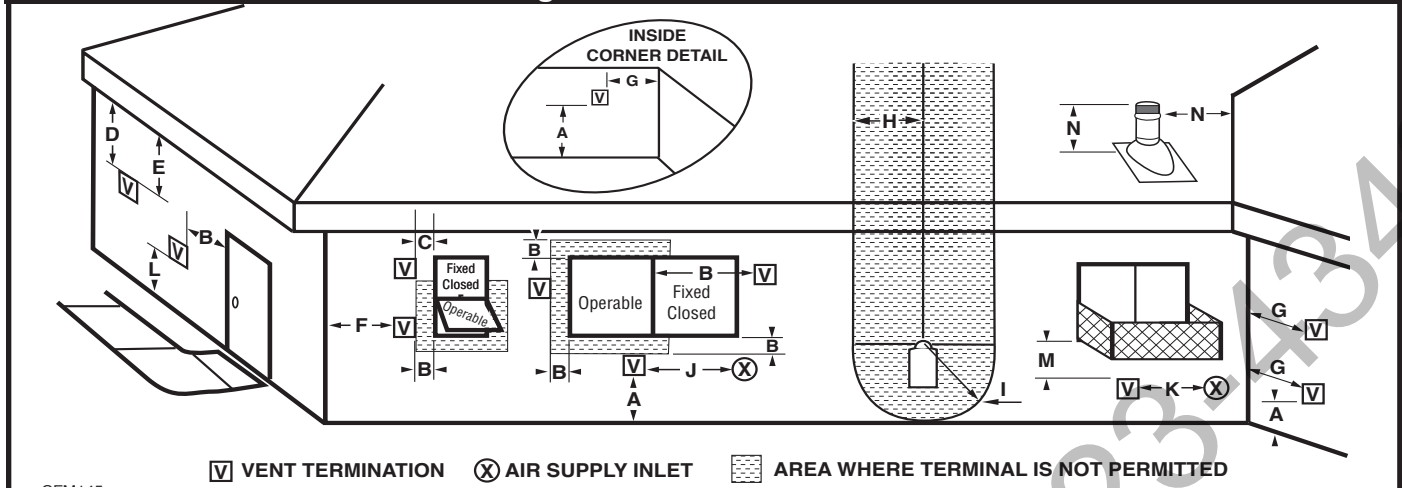
NOTE: The fireplace receiver will only respond to the transmitter when the 2-position slide button on the module is in the REMOTE position. If the system does not respond to the battery transmitter on initial use, refer to MATCHING SECURITY CODES, and recheck battery positions in the remote receiver.

Thermostatic Updating Feature

This remote control has a THERMOSTATIC UPDATING feature built into its software. The THERMOSTATIC UPDATING feature operates in the following manner, while in the THERMOSTATIC mode.

The transmitter reads the ROOM temperature every 2 minutes checking the ROOM temperature against the SET temperature and then sends a signal to the receiver.

General Venting Information - Termination Location



	Canadian Installations ¹	US Installations ²
A = Clearance above grade, veranda, porch, deck, or balcony	12" (30 cm)	12" (30 cm)
B = Clearance to window or door that may be opened	6" (15 cm) for appliances < 10,000 Btuh (3kW), 12" (30 cm) for appliances > 10,000 Btuh (3kW) and < 100,000 Btuh (30kW), 36" (91 cm) for appliances > 100,000 Btuh (30kW)	6" (15 cm) for appliances < 10,000 Btuh (3kW), 9" (23 cm) for appliances > 10,000 Btuh (3kW) and < 50,000 Btuh (15kW), 12" (30cm) for appliances > 50,000 Btuh (15kW)
C = Clearance to permanently closed window	12" (305 mm) recommended to prevent window condensation	12" (305 mm) recommended to prevent window condensation
D = Vertical clearance to ventilated soffit located above the terminal within a horizontal distance of 2 feet (610mm) from the center line of the terminal	18" (458 mm) for non-vinyl soffits 24" (610 mm) for vinyl soffits	18" (458 mm) for non-vinyl soffits 24" (610 mm) for vinyl soffits
E = Clearance to unventilated soffit	24" (610 mm)	24" (610 mm)
F = Clearance to outside corner	see next page	see next page
G = Clearance to inside corner (see next page)	see next page	see next page
H = Clearance to each inside of center line extended above meter/regulator assembly	3' (91 cm) within a height of 15' above the meter/regulator assembly	3' (91 cm) within a height of 15' above the meter/regulator assy
I = Clearance to service regulator vent outlet	3' (91 cm)	3' (91 cm)
J = Clearance to nonmechanical air supply inlet to building or the combustion air inlet to any other appliances	6" (15 cm) for appliances < 10,000 Btuh (3kW), 12" (30cm) for appliances > 10,000 Btuh (3kW) and < 100,000 Btuh (30kW), 36" (91 cm) for appliances > 100,000 Btuh (30kW)	6" (15 cm) for appliances < 10,000 Btuh (3kW), 9" (23 cm) for appliances > 10,000 Btuh (3kW) and < 50,000 Btuh (15kW), 12" (30 cm) for appliances > 50,000 Btuh (15kW)
K* = Clearance to a mechanical air supply inlet	6' (1.83 m)	3' (91 cm) above if within 10' (3m) horizontally
L = Clearance above paved sidewalk or paved driveway located on public property	7' (2.13 m)†	7' (2.13 m)†
M = Clearance under veranda, porch, deck or balcony	12" (30 cm)‡	12" (30 cm)‡
N = Clearance above a roof shall extend a minimum of 24" (610 mm) above the highest point when it passes through the roof surface, and any other obstruction within a horizontal distance of 18" (450 mm).		

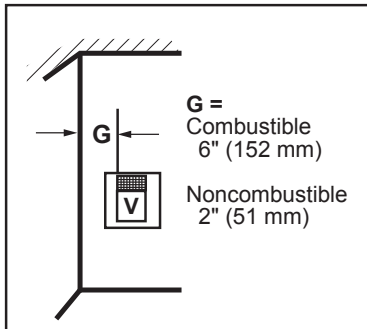
1 In accordance with the current CSA-B149 Installation Codes
 2 In accordance with the current ANSI Z223.1/NFPA 54 National Fuel Gas Codes
 * Clearance to a mechanical air supply refers to an HRV or other mechanical device that brings fresh air into the living space, not a fresh air for an appliance combustion.
 † A vent shall not terminate directly above a sidewalk or paved driveway which is located between two single family dwellings and serves both dwellings
 ‡ only permitted if veranda, porch, deck or balcony is fully open on a minimum 2 sides beneath the floor:
 NOTE: 1. Local codes or regulations may require different clearances.
 2. The special venting system used on Direct Vent Fireplaces are certified as part of the appliance, with clearances tested and approved by the listing agency.
 3. CFM Corporation assumes no responsibility for the improper performance of the appliance when the venting system does not meet these requirements.

Fig. 13 Vent termination clearances.

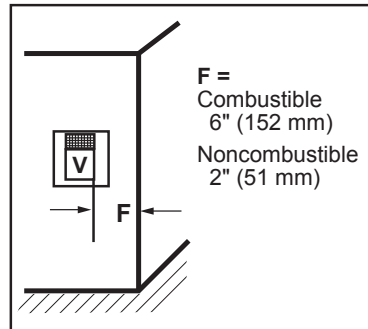
Termination Clearances

Termination clearances for buildings with combustible and noncombustible exteriors.

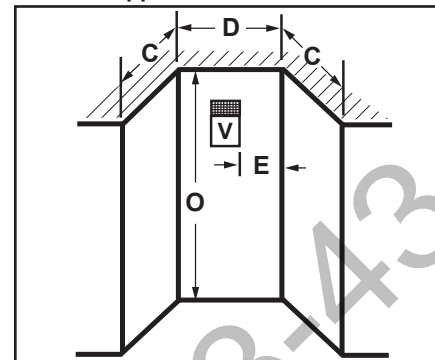
Inside Corner



Outside Corner

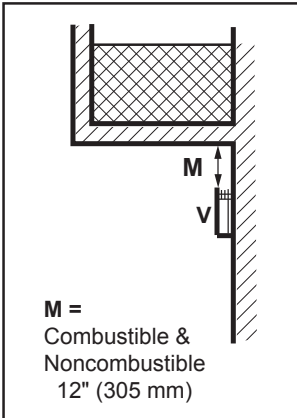


Alcove Applications*



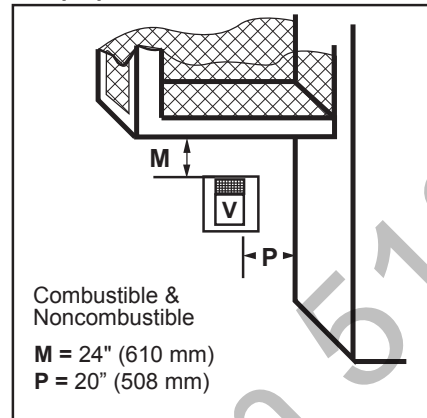
E = Min. 6" (152 mm) for non-vinyl sidewalls
Min. 12" (305 mm) for vinyl sidewalls
O = 8' (2.4 m) Min.

Balcony - with no side wall



M = Combustible & Noncombustible 12" (305 mm)

Balcony - with perpendicular side wall



Combustible & Noncombustible
M = 24" (610 mm)
P = 20" (508 mm)

No. of Caps	D _{Min.}	C _{Max.}
1	3' (914 mm)	2 x D _{Actual}
2	6' (1.8 m)	1 x D _{Actual}
3	9' (2.7 m)	2/3 x D _{Actual}
4	12' (3.7 m)	1/2 x D _{Actual}

D_{Min.} = # of Termination caps x 3
C_{Max.} = (2 / # termination caps) x D_{Actual}

584-15

***NOTE:** Termination in an alcove space (spaces open only on one side and with an overhang) is permitted with the dimensions specified for vinyl or non-vinyl siding and soffits. 1. There must be a 3' (914 mm) minimum between termination caps. 2. All mechanical air intakes within 10' (1 m) of a termination cap must be a minimum of 3' (914 mm) below the termination cap. 3. All gravity air intakes within 3' (914 mm) of a termination cap must be a minimum of 1' (305 mm) below the termination cap.

Fig. 14 Termination clearances.

Quick Reference for Fresh Air Restrictor Plate / Flue Baffle

Application	Item	DVT38N	DVT38P	DVT44N	DVT44P
SK8DVSK	Flue Restrictor Plate	3"	None	None	4½"
	Fresh Air Restrictor Plate	None	None	None	#1
Vertical Less than 12'	Flue Restrictor Plate	None	None	None	None
	Fresh Air Restrictor Plate	None	None	None	None
Vertical 12' to 20'	Flue Restrictor Plate	4½"	4½"	4½"	4½"
	Fresh Air Restrictor Plate	#3	#3	#3	#3
Vertical 20' to 30'	Flue Restrictor Plate	4½"	4½"	4½"	4½"
	Fresh Air Restrictor Plate	#2	#2	#2	#2
Vertical 30' to 40'	Flue Restrictor Plate	4½"	4½"	4½" or 6¾"	4½" or 6¾"
	Fresh Air Restrictor Plate	#1	#1	#1	#1

NOTE: Refer to Page 27, Figure 36 for instructions to fabricate 3" and 4½" flue restrictor plates.

General Information

Assembling Vent Pipes

SK8 Venting Pipes

Canadian Installations:

The venting system must be installed in accordance with the current CSA-B149 .1 installation code.

USA Installations:

The venting system must conform with local codes and/or the current National Fuel Gas code ANSI Z223.1/ NFPA 54.

Only venting components manufactured by CFM Corporation can be used in Direct Vent systems.

NOTE: The joints of the inner pipe (flue pipe) must be taped with 550°F or higher temperature metal adhesive tape that meets the requirements of F.A.R. 25.853(a) High temperature sealant milpack or stove cement of 550°F or higher could be used instead. The joints of the outer pipe (fresh air pipe) must be taped with 315°F or higher temperature metal adhesive tape or the use of high temperature milpack or stove cement would be applicable. When using the unitized 30°, 45° or 90° elbows, apply 1/4" bead of high temperature, 550°F or higher, sealant (milpack or stove cement) to the joint of the inner pipe (flue pipe) and the straight section as it is impossible to be taped. The outer pipe must be taped with 315°F high temperature metal adhesive tape for proper sealing.

Start by attaching the first vent pipe section to the collar on top of the fireplace. In order to attach the first pipe section, it may be necessary to remove the top shield. Remove four (4) screws securing top shield, install first pipe section and replace top shield.

Install the pipe as shown in Figure 15. When you get a good lock, you will hear the pipe clearly snap together. Once sections are snap-locked in place, it is extremely difficult to get them apart. Make sure the pipe is firmly snapped and locked together as each pipe section is mounted. When using 45° or 90° elbows, it is acceptable to use three (3) screws (not supplied) at the joint between the vertical SK8 pipe and the elbow to ensure no separation.

When installing elbows, follow the same procedure. The joints of inner and outer elbow must be taped with UL approved high temperature metal adhesive tape for proper sealing. Be sure to always attach straps on upper elbow to a structural framing member.

For vertical installations, continue installing the pipe as required until pipe is installed up through the ceiling. At this point, you must install a firestop spacer.

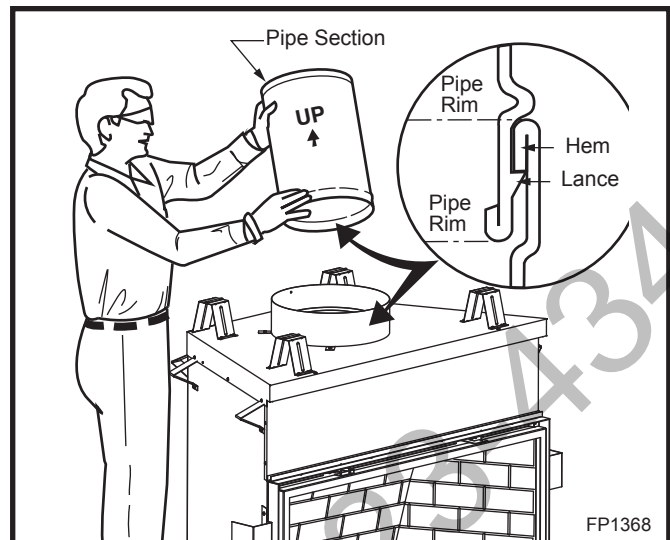


Fig. 15 Install pipe, listening for the snap-lock to fasten.

Horizontal Termination

The vent must rise vertically a minimum of 24" (610mm) off the top of the unit, before the first elbow. The horizontal run may extend up to 20' (6 m) and include a vertical rise of up to 40' (12 m). (Fig. 16) Horizontal termination must also meet the criteria shown in Figures 13 & 14.

- Approved vent systems must terminate above and including the heavy line in Figure 16.
- Two 45° elbows may be substituted for each single 90° elbow.
- With a rise between 2' - 4', one (1) 90° or two (2) 45° elbows may be used.

Vertical Termination

A vertical vent system must terminate no less than 12' (3.66 m) and no more than 40' (12 m) above the appliance flue collar. A 2' (610 mm) vertical section must be installed before any offset. A maximum of 20' (6.1 m) horizontal and three (3) 90° elbows may be installed with a minimum of 12' (3.66 m) vertical section above the flue collar of the unit. Refer to Page 22, Figure 27 for more information.

A vertically terminated vent system must also conform to the following criteria:

- No more than three (3) 90° elbows may be used.
- Two (2) 45° elbows may be substituted for one (1) 90° elbow. No more than six (6) elbows may be used.
- Vent must rise a minimum of 2' (610 mm) before offset is used.
- Termination height must conform to roof clearance as specified in Figure 34.

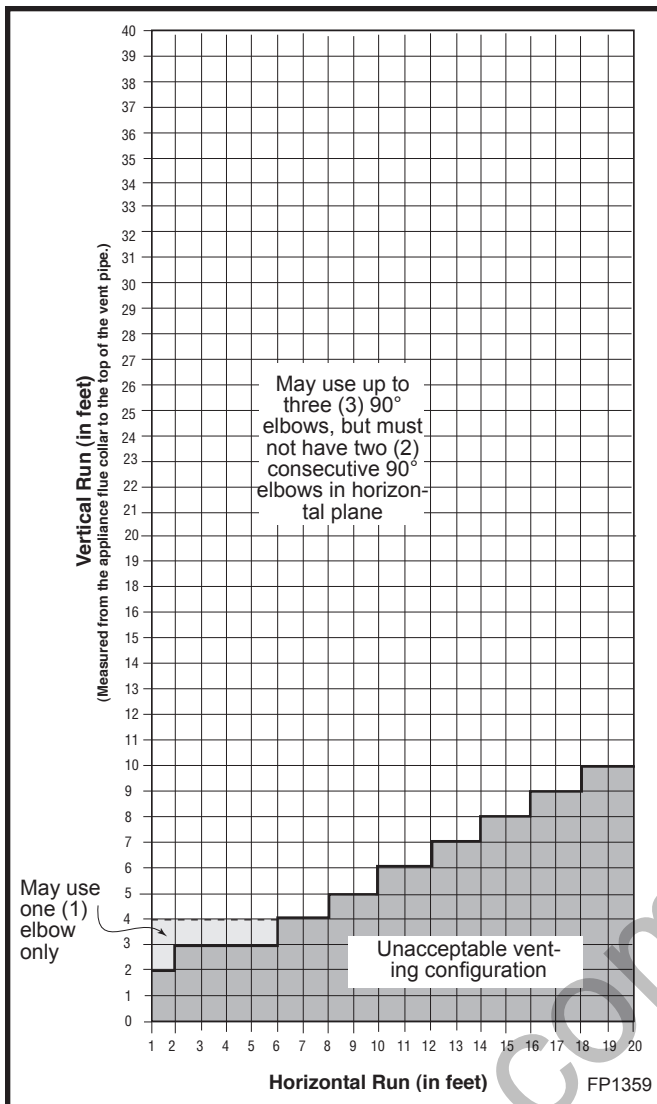


Fig. 16 Horizontal vent termination window.

Sidewall Applications



Since it is very important that the venting system maintain its balance between the combustion air intake and the flue gas exhaust, certain limitations as to vent configurations apply and must be strictly adhered to.

NOTE: The penetration to the outside of the building or structure shall be sealed air and weather tight.

Use of the Restrictor Plates in Horizontal Venting Applications

The primary purpose for the vent restrictor plate is to regain flame height under certain venting conditions as outlined below.

The DVT38IN is shipped with the fresh air plate settings at #4 (this applies to both natural gas and propane) when using the horizontal starter vent kit SK8DVSK.

20011956



Minimum clearance between vent pipes and combustible materials is 3½" (89 mm) on top, 2½" (64 mm) on both sides and 1½" (38 mm) on the bottom.

When the vent termination exits through foundations less than 20" (508 mm) below siding outcrop, the vent pipe must be flush with the siding.

It is always best to locate the fireplace in such a way that minimizes the number of offsets and horizontal vent length of vent pipe from the flue collar of the fireplace to the face of the outer wall.

Horizontal plane means no vertical rise exists on this portion of the vent assembly.

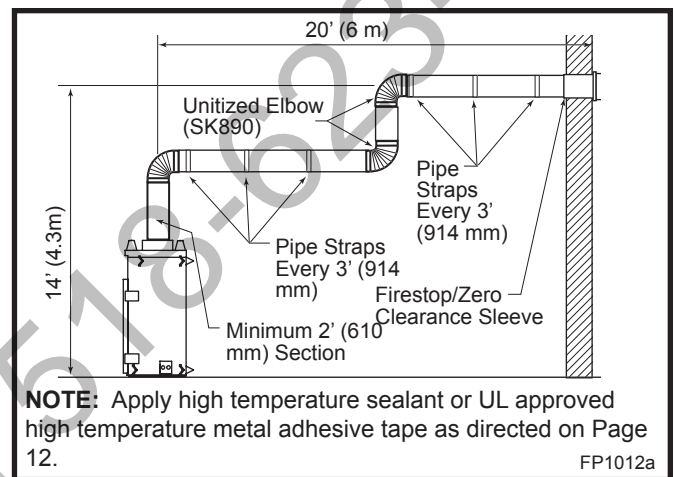


Fig. 17 Support straps for horizontal runs.

- The maximum number of 90° elbows per side wall installation is three (3), but must not have two (2) consecutive elbows in the horizontal plane.
- A minimum of 2' (610 mm) vertical section off the top of the unit is required, an elbow and a 1' (305 mm) maximum horizontal run to get through a wall. (Fig. 18)

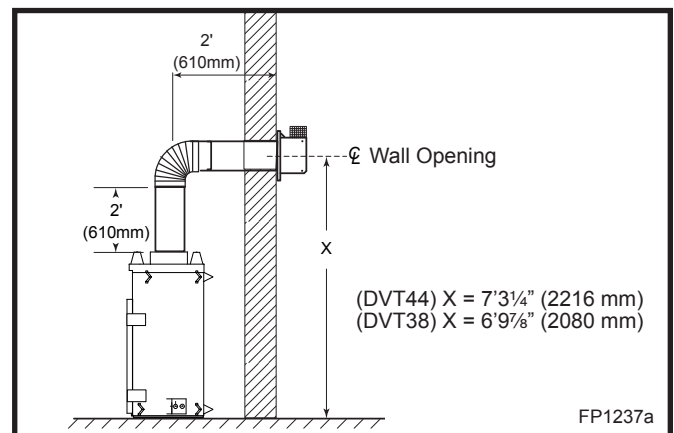


Fig. 18 Minimum vertical run / maximum horizontal run.

- The maximum number of 45° elbows permitted per installation is six (6). These elbows can be installed in either the vertical or horizontal run. (Fig. 19)
- For each 45° elbow installed in the horizontal run, the length of the horizontal run **MUST** be reduced by 18" (45 cm). This does not apply if the 45° elbows are installed on the vertical part of the vent system. For each 90° elbow installed in the horizontal run, the length of the horizontal run **MUST** be reduced by 36" (914 mm).
- The maximum number of elbow degrees in a system is 270°. (Fig. 20)

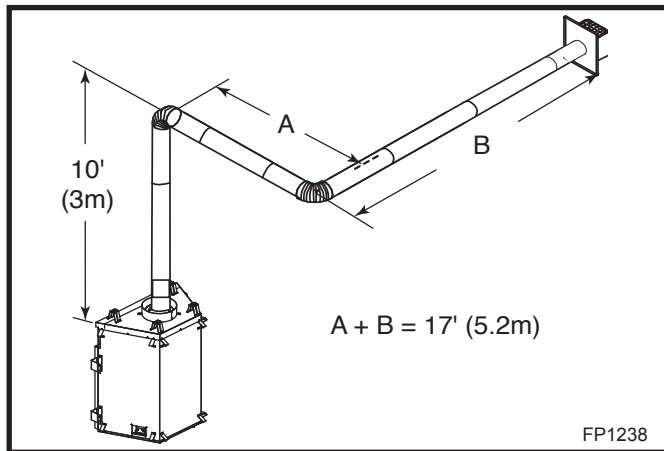


Fig. 19 Maximum vent run with elbows.

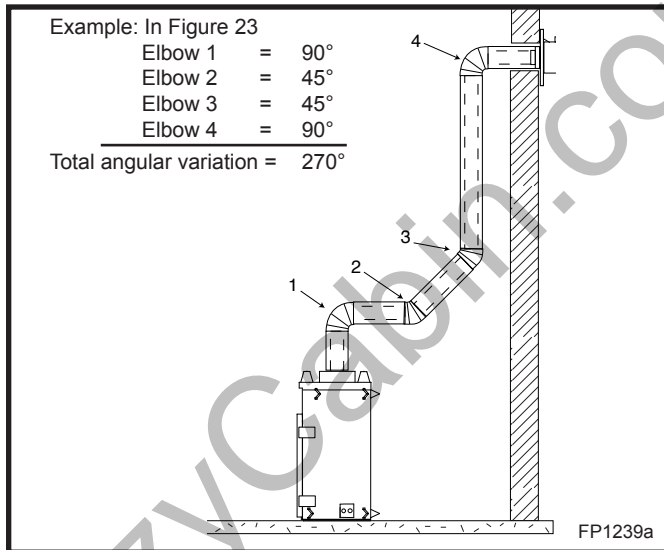


Fig. 20 Maximum number of elbow degrees.

Sidewall Installation

STEP 1

Locate vent opening on the wall. It may be necessary to first position the fireplace and measure to obtain hole location. Depending on whether the wall is combustible or noncombustible, cut opening to size. (Fig. 21)

For combustible walls first frame in opening.

Combustible Walls: Cut a 16¼" h x 16¼" w (413 mm x 413) hole through the exterior wall and frame as shown.

Noncombustible Walls: Hole opening must be 11¼" (286 mm) in diameter.

STEP 2

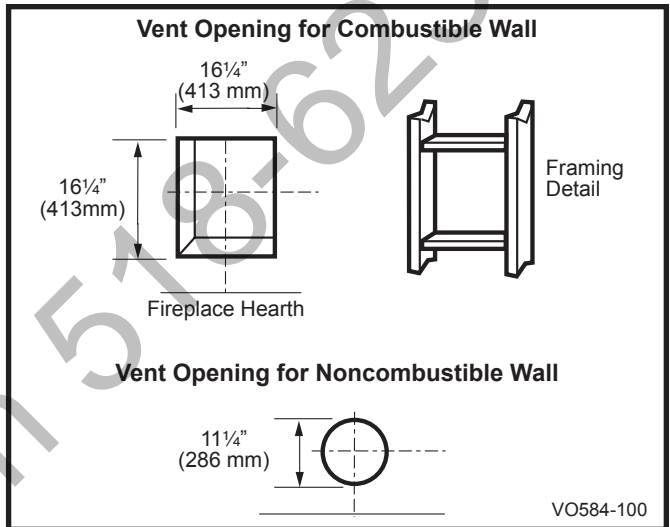


Fig. 21 Locate vent opening on wall.

Measure wall thickness and cut zero clearance sleeve parts to proper length (MAXIMUM 12"/305 mm). Assemble sleeve using #8 sheet metal screws (supplied). (Fig. 22) Install firestop assembly. (Fig. 31)



Zero clearance sleeve is only required for combustible walls.

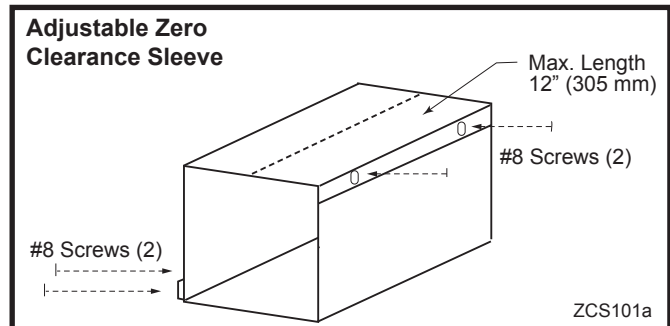


Fig. 22 Adjustable zero clearance sleeve.

STEP 3

Slide the zero clearance sleeve through the wall and install the firestop on the inside surface of the wall. Secure with four (4) #8 sheet metal screws.

STEP 4

Place fireplace into position. (Fig. 23) Measure the vertical height (X) required from the base of the flue collars to the center of the wall opening. **NOTE:** If using the SK8DVSK Kit, the vertical section of pipe is telescopic and could provide adjustment from 24" up to 40" (610 mm to 1016 mm).

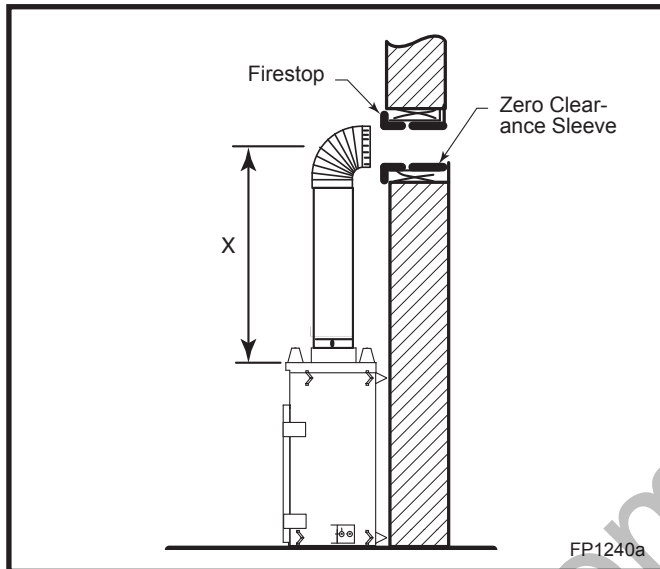


Fig. 23 Vertical height requirement.

STEP 5

Tape the inner and outer flue collars of the fireplace using UL approved metal adhesive tape to ensure the joints are sealed. Attach an appropriate length of vent pipe to the fireplace. Follow with the installation of the inner and outer elbow, tape elbow joints and secure joints as described on Page 18.

STEP 6

Measure the horizontal length requirement including a 2" (50 mm) overlap, ie from the elbow to the outside wall face plus 2" (50 mm) (or the distance required if installing a second 90° elbow). (Fig. 24)



Always install horizontal venting on a level plane.

STEP 7

Use appropriate length of pipe sections and install the horizontal vent sections. You may need to cut 1' wall section to size to be flush with the outside wall. The sections which go through the wall are packaged with the starter kit, and can be cut to suit if necessary. (Fig. 25)

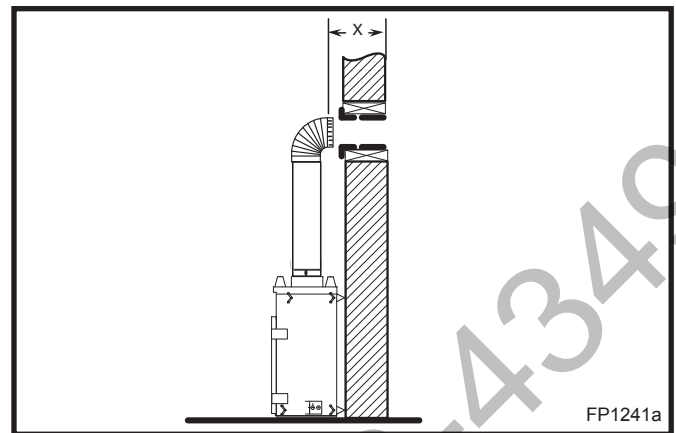


Fig. 24 Horizontal length requirement.

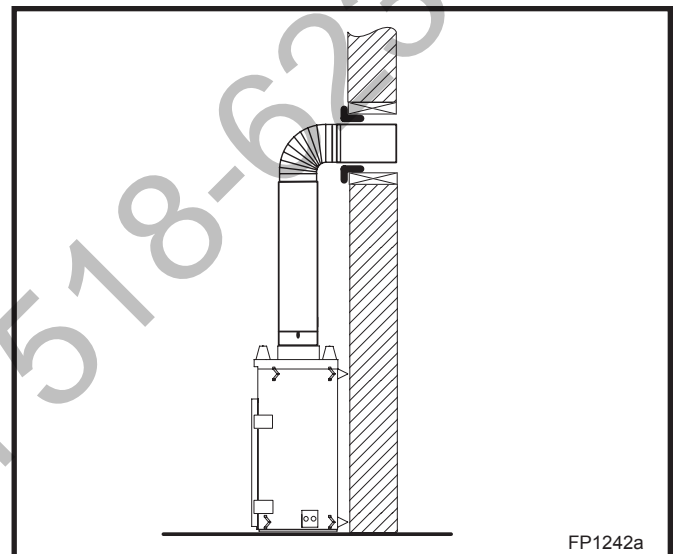


Fig. 25 Through the wall.

Sealing firestop gaps with high temperature sealant will restrict cold air being drawn in around fireplace.

STEP 8

Guide the vent terminations 8" and 11" collars into their respective vent pipes. Double check that the vent pipes overlap the collars by 2" (51 mm). Secure the termination to the wall with screws provided and caulk around the wall plate to weatherproof. (Fig. 26) As an alternative to screwing the termination directly to the wall you may also use expanding plugs or an approved exterior construction adhesive.



Support horizontal pipes every 3' (91 cm) with metal pipe straps.

Check fireplace to make sure it is levelled and properly positioned.

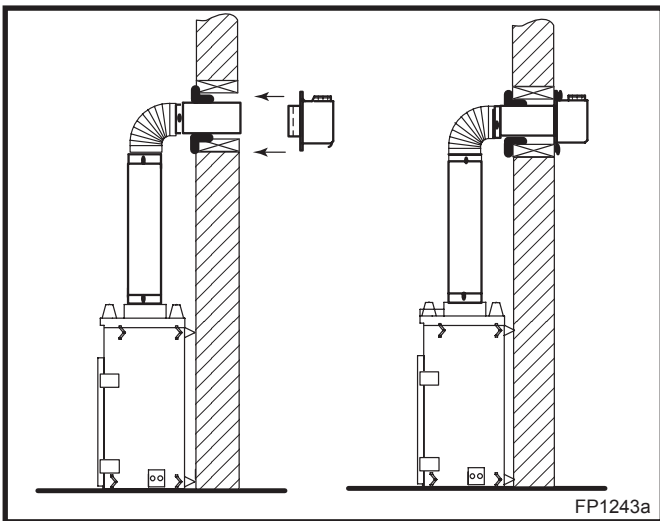


Fig. 26 Secure termination to wall.

Vertical Through-the-Roof Applications
Use of Restrictor Plate for Vertical Venting Applications

The primary purpose for the vent restrictor is to regain flame height under certain venting conditions as outlined below.

NOTE: The joints of the inner pipe (flue pipe) must be taped with 550°F or higher temperature metal adhesive tape that meets the requirements of F.A.R. 25.853(a). High temperature sealant milpack or stove cement of 550°F or higher could be used instead. The joints of the outer pipe (fresh air pipe) must be taped with 315°F or higher temperature metal adhesive tape or the use of high temperature milpack or stove cement would be applicable. When using the unitized 30°, 45° or 90° elbows, apply 1/4" bead of high temperature, 550°F or higher, sealant (milpack or stove cement) to the joint of the inner pipe (flue pipe) and the straight section as it is impossible to be taped. The outer pipe must be taped with 315°F high temperature metal adhesive tape for proper sealing.

For vertically venting either propane or natural gas units, with vertical vent heights of 12' (3.7 m) or greater, (measured from the top of the flue collar) the restrictor plate as supplied with this unit should be used. (Fig. 27) Also, the fresh air restrictor plate could be adjusted according to your vent height. (Fig. 27) Refer to Pages 26 & 27, Figures 36 & 38 for restrictor plate installation and fresh air restrictor plate adjustment.

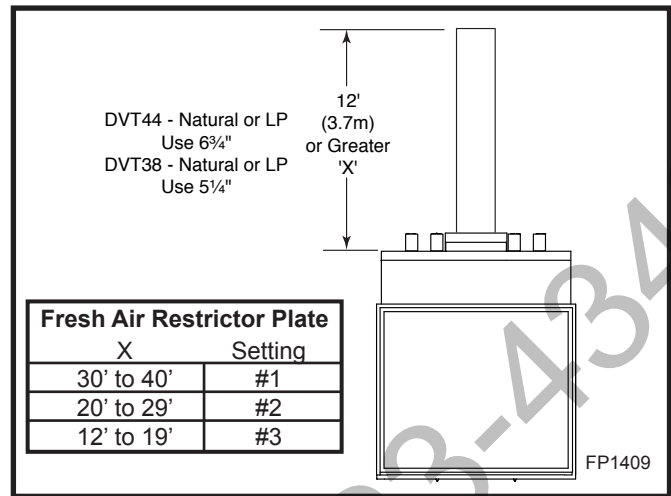


Fig. 27 Restrictor plate use in straight up installation.

For vertical venting configurations that include a minimum vertical rise of 12' (3.7 m) and a maximum horizontal offset of 10' (3 m) the 4½" restrictor plate supplied with this unit should be used. The fresh air restrictor plate could be adjusted to the setting #3 (**DVT44IN Only**). (Fig. 28) Refer to Pages 26 & 27, Figures 36 & 38 for restrictor plate installation and fresh air restrictor plate adjustment.

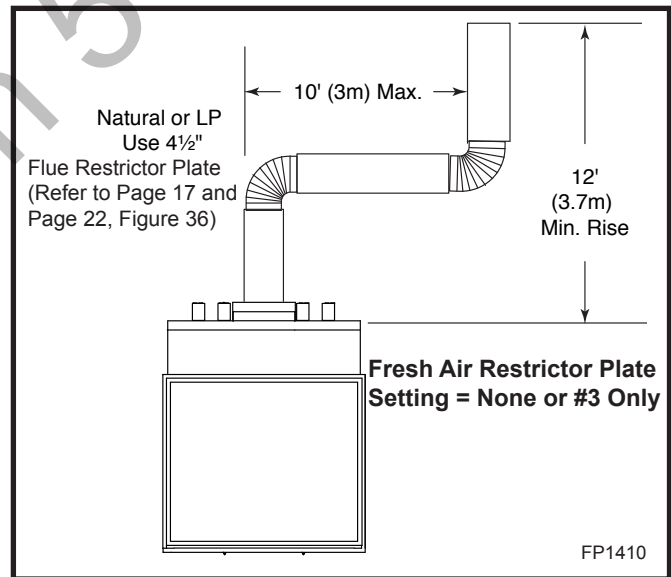


Fig. 28 Restrictor plate use with horizontal offset.

This Gas Fireplace has been approved for,

- Vertical installations up to 40' (12 m) in height. Up to a 20' (6 m) horizontal vent run can be installed within the vent system using a maximum of three (3) 90° elbows. (Fig. 29)
- A 2' (610 mm) vertical section must be installed before any offset. A maximum of 20' (6.1 m) horizontal and three (3) 90° elbows may be installed with a minimum of 12' (3.66 m) vertical section above the flue collar of the unit. (Fig. 29)

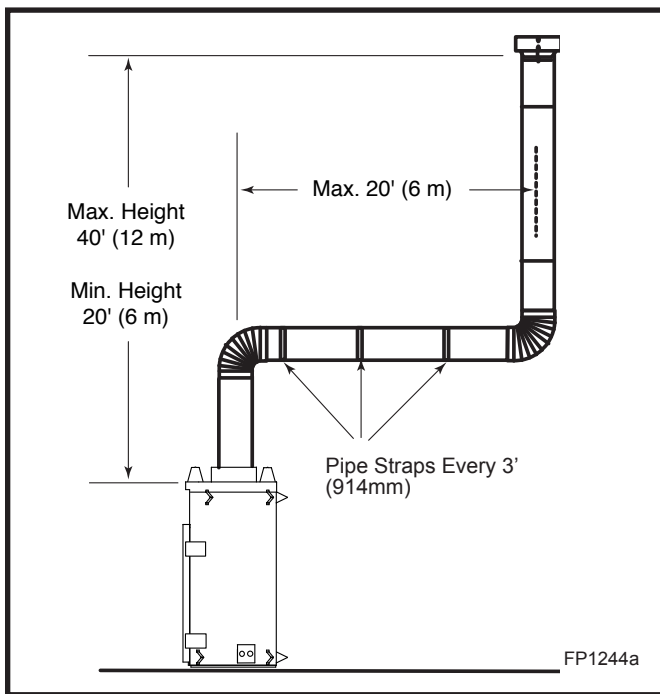


Fig. 29 Support straps for horizontal runs.

- Up to two (2) 30° or 45° elbows may be used within the horizontal run. For each 30° or 45° elbow used on the horizontal level the maximum horizontal length must be reduced by 18" (457 mm).

Example: Maximum horizontal length

- 0 x 30° or 45° elbows = 10' (3 m)
- 1 x 30° or 45° elbows = 8'6" (2.6 m)
- 2 x 30° or 45° elbows = 7' (2.1 m)

- A minimum of an 12' (3.7 m) vertical rise.
- Two sets of 30° or 45° elbows offsets within these vertical installations. From 0 to a maximum of 8' (2.4 m) of vent pipe can be used between elbows. (Fig. 30)
- SKCS8 must be used to support offsets. (Fig. 33) This application will require that you first determine the roof pitch and use the appropriate starter kit. (Refer to Venting Components List)
- The minimum height of the vent above the highest point of penetration through the roof is 2' (610 mm). (Fig. 34)

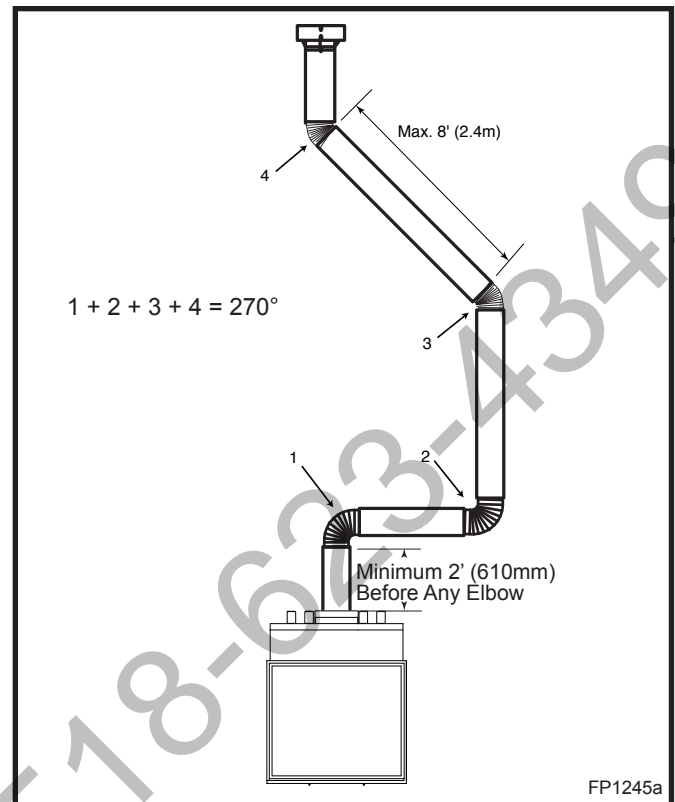


Fig. 30 Typical offset application.

Vertical Through-the-Roof Installation

1. Locate your fireplace.
2. Plumb to center of the (8") flue collar from ceiling above and mark position.
3. Cut opening equal to 14½" x 14½" (368 x 368 mm).
4. Proceed to plumb for additional openings through the roof. In all cases, the opening must provide a minimum of 1½" (38 mm) clearance to the vent pipe, i.e., the hole must be at least 14½" x 14½" (368 mm x 368 mm).
5. Place fireplace into position.
6. Place firestop(s) SKFS2A or Attic Insulation Shield AIS-SK into position and secure. (Figs. 31, 32)
7. Install roof support (Fig. 33) and roof flashing making sure upper flange of flashing is below the shingles.
8. Install appropriate pipe sections until the venting is above the flashing.
9. Seal around the pipe.
10. Add additional vent lengths for proper height. (Fig. 34)

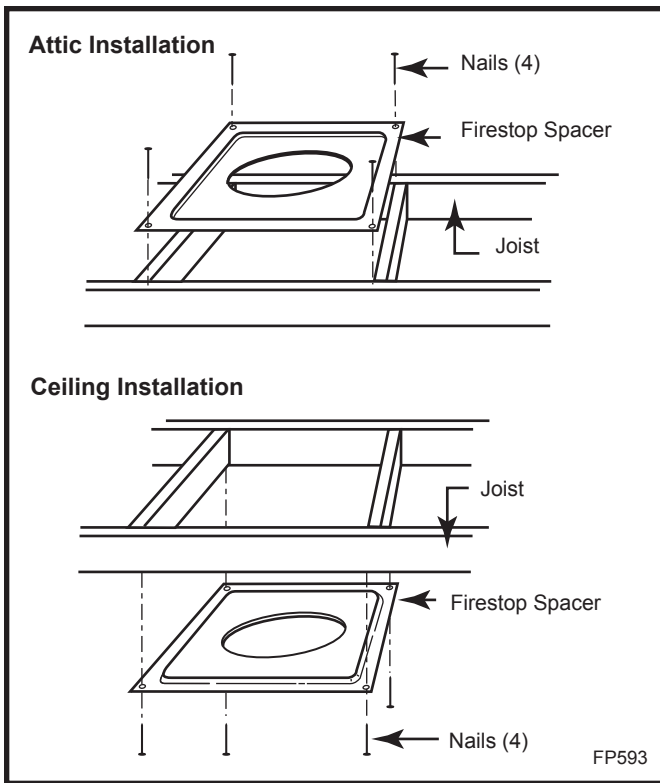


Fig. 31 Installing firestop spacer.

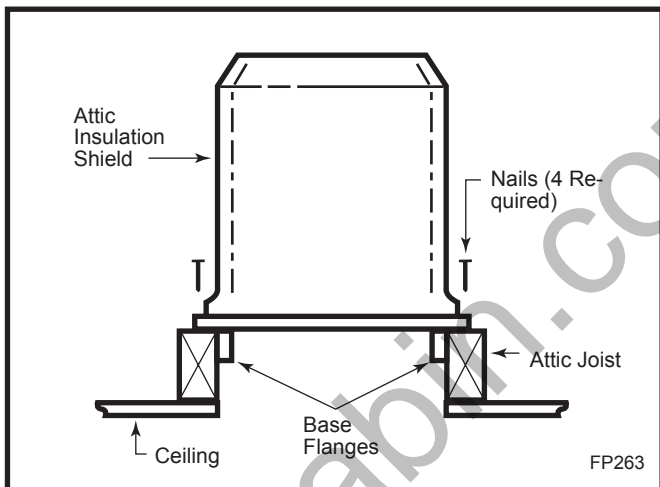


Fig. 32 Attic shield installation.

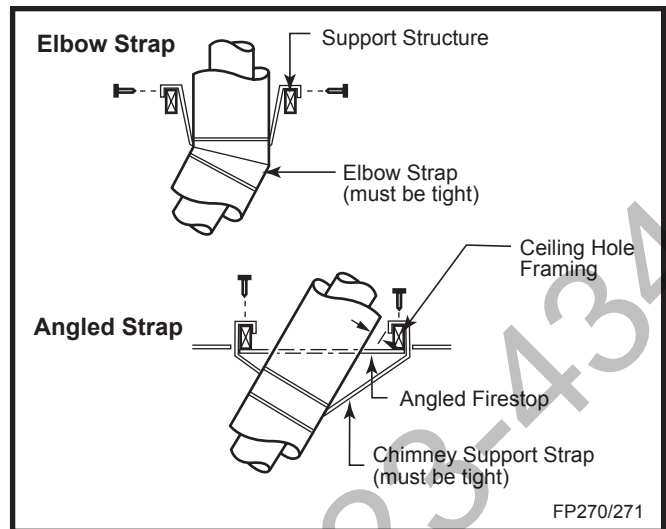


Fig. 33 Attach straps to a structural framing member.

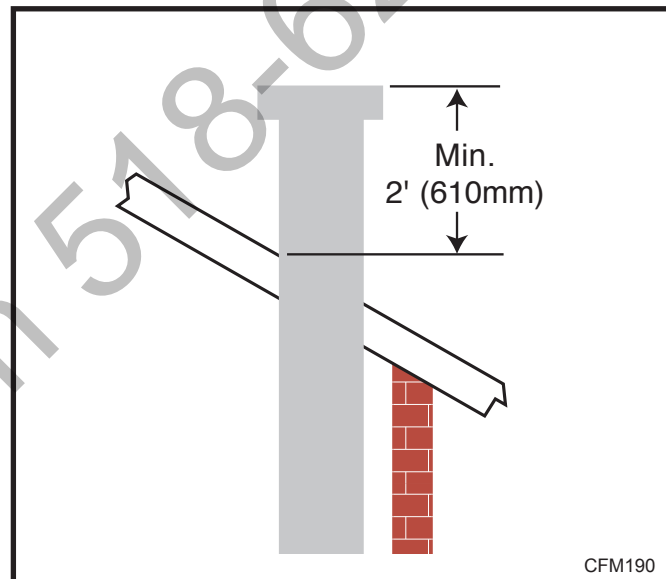


Fig. 34 Minimum termination to roof clearance.



If an attic is above ceiling level an AIS-SK (Attic Insulation Shield) must be installed. The enlarged ends of the vent section always face downward.

Chimney Components

Component	Description	Model Number
Horizontal Starter Kit	Contains 24"-40" telescopic pipe* for minimum vertical rise from collar pipe, 90° elbow, horizontal through-wall starter pipe, zero clearance sleeve, metal adhesive tape, stove cement tube, sidewall termination and firestop.	SK8DVSK
SK8 Chimney Sections	Pipe used to build 8" (SK8) flue systems.	SK81 (1' Long) SK818 (1½' Long) SK83 (3' Long) SK84 (4' Long)
SK8 Chimney Elbows	Elbow used to create an offset in an 8" chimney system.	SK830-2 30° Elbow* (2 per pkg.) SK845 45° Elbow* SK890 90° Elbow*
Firestop	Required at each floor level of chimney installation. (Plus attic on multi-story installation.)	SKFS2A — (8" straight flue) SK8DVFS (Horizontal Firestop)
Zero Clearance Sleeve	Used when horizontal pipe goes through an interior vertical wall.	SK8ZCS
Attic Insulation Shield	Used to prevent insulation from coming in contact with the chimney system.	AIS-SK
Chimney Support	Used to support chimney for each of: 30' vertical height and 6' of angled chimney run.	SKCS8
Round Top Termination	Top used to terminate chimney at roof. (Flashing not included.)	RLTSK8
Round Top Termination - Extended	Top used to terminate chimney at chase. (Flashing not included.)	RLTSK8L
Flashing	Metal finishing required around termination to prevent rain leakage.	8-6-12 with 8" flue: 0-6/12 pitch 8-12-12 with 8" flue: 6/12-12/12 pitch
Housing Extensions	Extends Square Termination on steep pitched roofs.	202036
Chase Top Housing	Low profile pyramid-style chimney cap used to terminate chimney through a chase. Includes adapter. (Flashing not included.)	PTLSK8
Chase Top Housing	Square chimney cap used to terminate chimney through a chase. Terra Cotta Masonry. Includes adapter. (Flashing not included.)	SLTSK8
Horizontal Termination	Cap used to terminate venting through a sidewall.	SK8DVRVT

NOTE: The 24"-40" telescopic pipe is only intended for use with the SK8DVSK.

* Factory unitized elbow

Operating Instructions

Glass Information



Only glass approved by CFM Corporation should be used on this fireplace.

- The use of any non-approved replacement glass will void all product warranties.
- Care must be taken to avoid breakage of the glass.
- **Do not operate appliance with glass front removed, cracked or broken.**
- **A replacement glass frame assembly (complete with gasket) is available through your CFM Corporation dealer and should only be installed by a licensed qualified service person.**

WARNING



HOT GLASS WILL CAUSE BURNS.
DO NOT TOUCH GLASS UNTIL COOLED.
NEVER ALLOW CHILDREN TO TOUCH GLASS.

Glass Frame Assembly Removal

1. Turn the fireplace OFF (including the pilot).
2. If the unit has been operating allow time for the components to cool.
3. Using a Phillips screwdriver, unfasten two (2) screws located at the top of the glass frame. (Fig. 35)
4. Tilt the glass frame at the top away from the unit. Lift it carefully off the bottom door track and set on padded surface.

Glass Cleaning

It is necessary to periodically clean the glass. During start-up, condensation, which is normal, forms on the inside of the glass. This condensation causes lint, dust and other airborne particles to cling to the glass surface.

Also initial paint curing may deposit a slight film on the glass. It is therefore recommended the glass be cleaned two or three times with a non-ammonia based household cleaner and warm water (gas fireplace glass cleaner is recommended) within the first few weeks of operation.

After the initial cleaning process the glass should be cleaned two or three times during each operating season depending on the environment in the house.



Clean the glass after the first two weeks of operation.

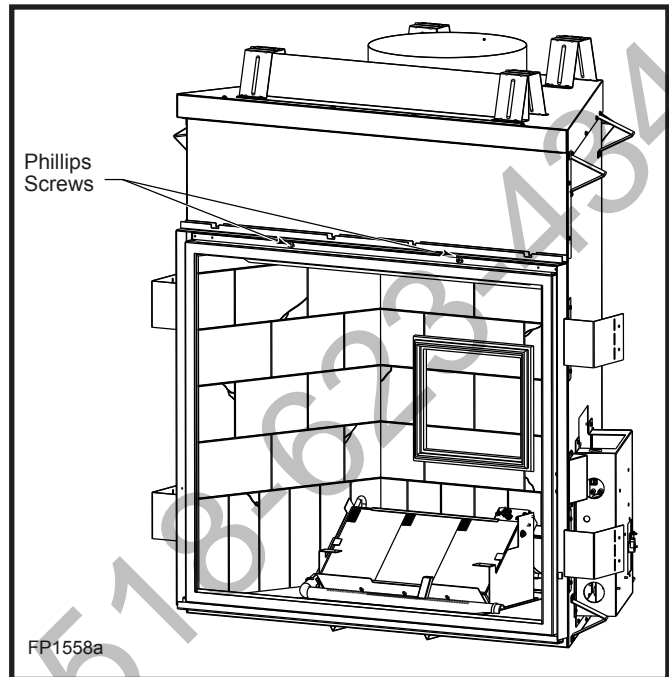


Fig. 35 Remove Phillips screws, tilt frame forward and lift off bottom door track. (Shown without logs for clarity.)

Restrictor Plate Installation

Refer to Figures 14, 15 & 17 for your venting configuration and combination of restrictor plate requirement and fresh air restrictor plate adjustment.

Restrictor Plate Installation

Using the two (2) screws provided along with the restrictor plate shipped with the logset, fasten the restrictor plate to the firebox top through the front of the unit. (Fig. 36)

Fresh Air Restrictor Plate Adjustment

1. Remove the glass.
2. Remove the logs, andirons and fettle.
3. Remove one side refractory (right or left) and remove the rear upper and lower refractory in reverse order of installation. (Refer to "Ceramic Refractory Installation" section.)
4. Remove the rear log bracket by removing three (3) screws. On some models you may be able to loosen the screws and slide bracket to the left and out. (Fig. 37)
5. Adjust the fresh air restrictor plate setting. (Fig. 38) Simultaneously install the plate and the log bracket using the three (3) screws loosened or removed earlier. The adjustment is made by matching the proper setting on the plate with the three (3) holes on the firebox back.

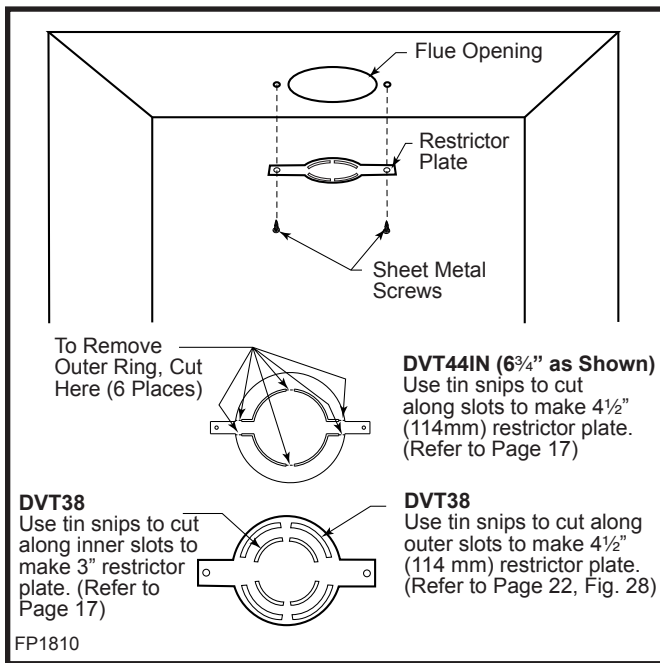


Fig. 36 Restrictor plate location.

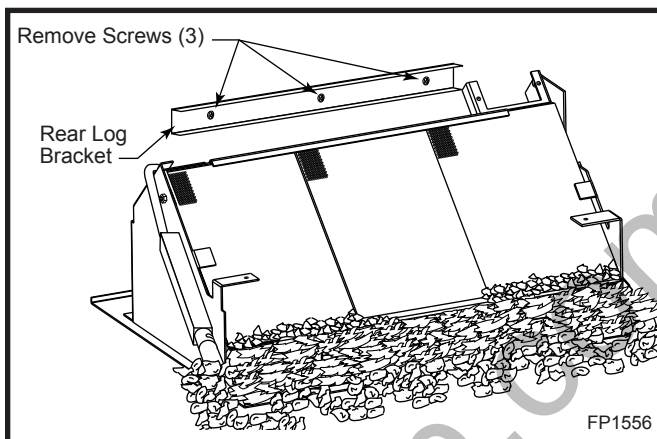


Fig. 37 Remove rear log bracket.

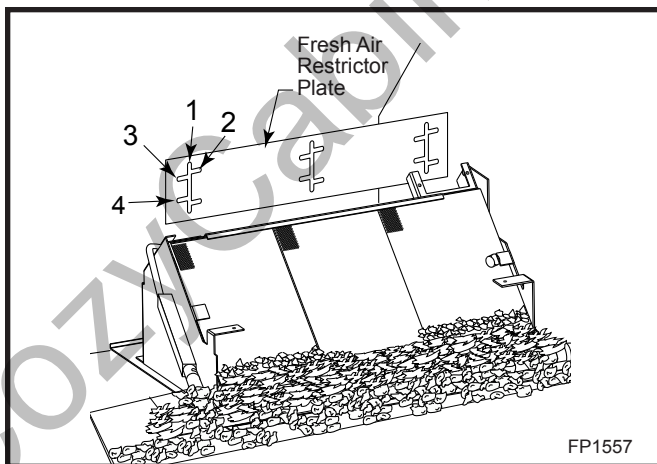


Fig. 38 Fresh air restrictor plate adjustment.

6. Replace the rear lower and upper refractory, side refractory, fettle, andiron, logs and glass.

Ceramic Refractory Installation



The ceramic refractories are fragile and should be handled with care. Due to the size of the refractories, an assistant may be helpful.

NOTE: The ceramic refractories are shipped separate from the unit but **MUST BE** installed.

Refer to Ceramic Refractory Kit listed below.

Appliance	Kit Model	Description
DVT38	DVT38CRR	Colonial Red
DVT38	DVT38CRL	Limestone
DVT38	DVT38CRH	Herringbone
DVT44	DVT44CRR	Colonial Red
DVT44	DVT44CRL	Limestone
DVT44	DVT44CRH	Herringbone

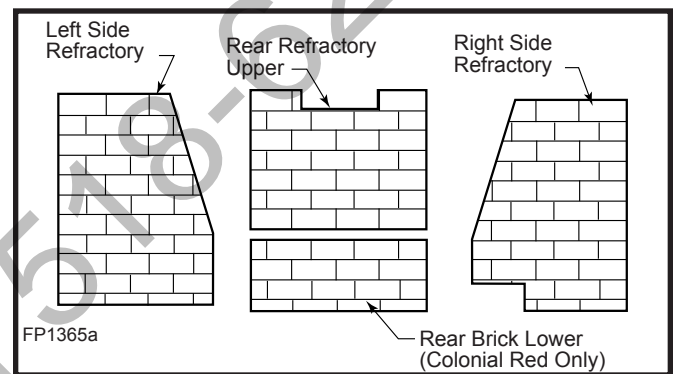


Fig. 39 DVT44IN ceramic refractory panels. (Limestone refractory shown)

- Using a Phillips or Robertson screwdriver, unfasten the two (2) screws holding the fettle to the burner assembly. With a wrench, remove the front burner tube by unfastening the two (2) nuts that secure the burner tube to the front of the burner assembly.
- Using a Phillips or Robertson screwdriver, remove the heat shield located toward the front top of the fire box by unfastening the five (5) screws that secure the heat shield in place. (Fig. 40)

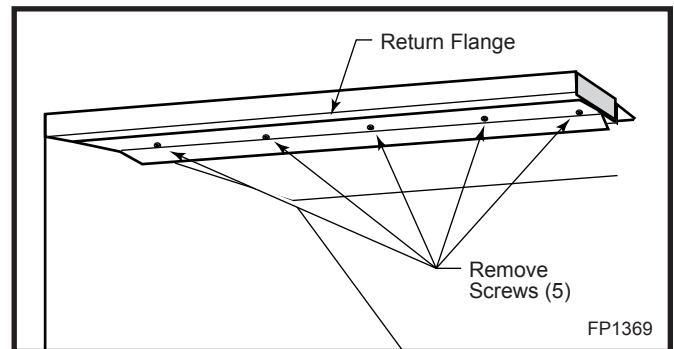


Fig. 40 Remove five (5) screws securing heat shield in place.

3. Start with either the right side refractory or left side refractory. Hold the refractory at an angle. Slide and seat the bottom edge toward the bottom of the firebox. Tilt it carefully toward the side until the piece is in place. Slide the refractory forward until it comes in contact with the front flange on the firebox.
4. Holding the rear refractory lower straight up, rotate it back behind the side refractory and set it on the small return bend of the rear log bracket toward the back of the firebox. Ensure the mortar lines in the refractory match the side refractory already installed.
5. Rotate back and set on the rear log bracket toward the back of the firebox.

6. The rear refractory upper has a notch in the top side. Holding the refractory at an angle, slide the refractory behind the side refractory installed.
7. While holding the rear refractory upper in place, follow Step 3 and install the remaining side refractory.
8. Adjust all refractory pieces so mortar lines are aligned. Replace heat shield removed in Step 2. Make sure the angle on the heat shield goes back. This will secure the side refractory in place.
9. Reinstall the burner tube and fettle.

Log, Lava Rock and Ember Placement

Unpack the logs and log burner overlay from packaging. Remove each log from its wrapping material.

Tools required: Robertson or Phillips screwdriver

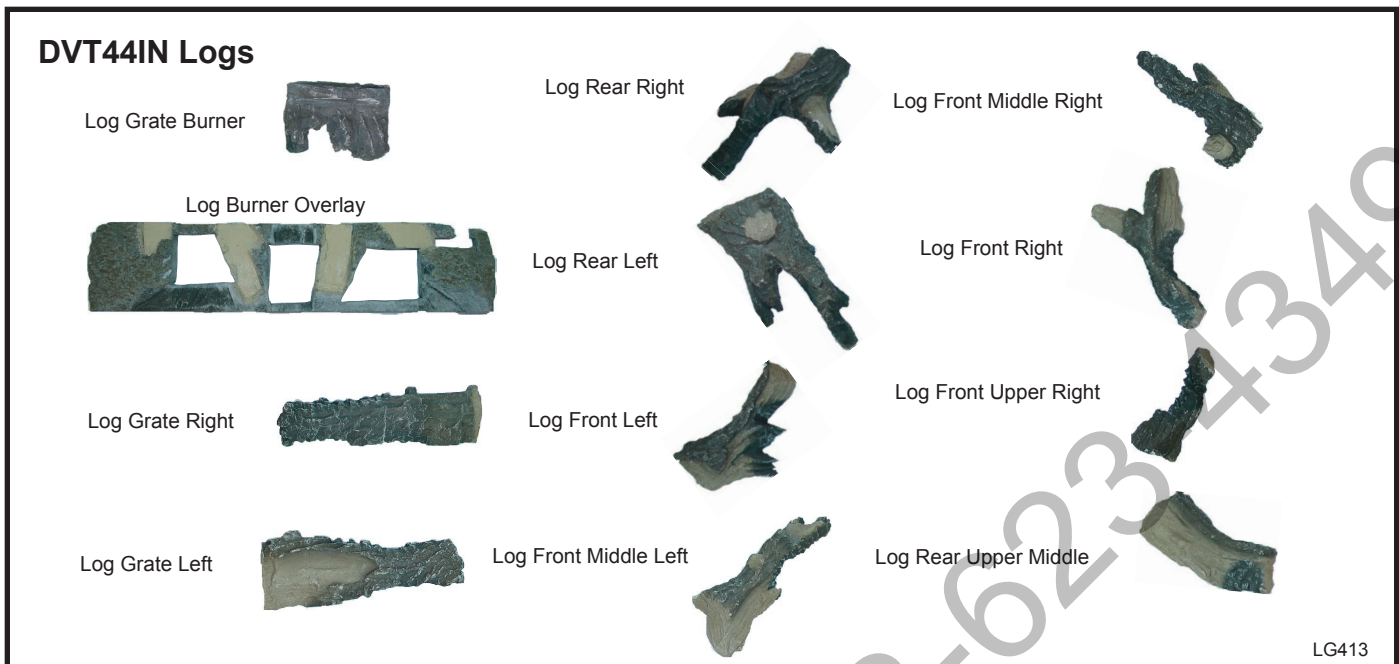


The logs are fragile and should be handled with care. Keep the packaging materials out of the reach of children and dispose of the material in a safe manner.

IMPORTANT: Review these instructions and familiarize yourself with each log before beginning log placement. Find the notches, pins and indentations on each log. Follow the instructions closely, using the Log ID (Fig. 41 or 42) and the illustrations to assist in correctly placing each log.



Fig. 41 DVT38IN log identification.



LG413

Fig. 42 DVT44IN log identification.

- 1. Position the Log Grate Burner.** Remove the two (2) screws that attach the fettle to the burner. Place the log grate burner between the notch on the front of the burner housing behind the burner tube. (Fig. 43) Hold the log in place and set the fettle back in position. When the fettle is in position, it must hook onto the log. Refasten fettle in place. **NOTE:** The log should look as if it has fallen off the grate.
- 2. Position the Log Burner Overlay.** The overlay is very fragile and must be handled with extra care. Hold the overlay with the **flat surface facing down**.

Figure 43



LG401

Log Grate Burner

The notch for the pilot on the overlay should be in the right rear corner. Set the overlay on top of the burner housing toward the back. The overlay must line up with the sides and back of the burner. The overlay rests behind the log grate burner. Make sure the pilot hood lines up with the notch on the overlay. (Fig. 43)

- 3. Position the Andirons.** Set the andirons in place by hooking the tabs on the back of the andiron over the outermost web of the fettle. (Figs. 49 & 50)
- 4. Place the Volcanic Rock.** Place the volcanic rocks over the hearth refractories in front of the burner tube and around the burner assembly as desired. (Figs. 49 & 50)

5. Place the Small Lava Rock. Place the small lava rock approximately 1½" (38 mm) wide behind the lip mounted to the burner housing. Place ember material lightly directly behind the lava rock and the overlay. (Figs. 49 & 50)

- 6. Place the Ember Material.** Place the ember material in front and around the burner tube and behind the burner tube in front of the burner housing. Build up the ember material lightly over the burner tube into the burner housing to cover up the burner tube and the lip mounted to the front of the burner housing. (Figs. 49 & 50) **NOTE: Placing platinum ember material is**

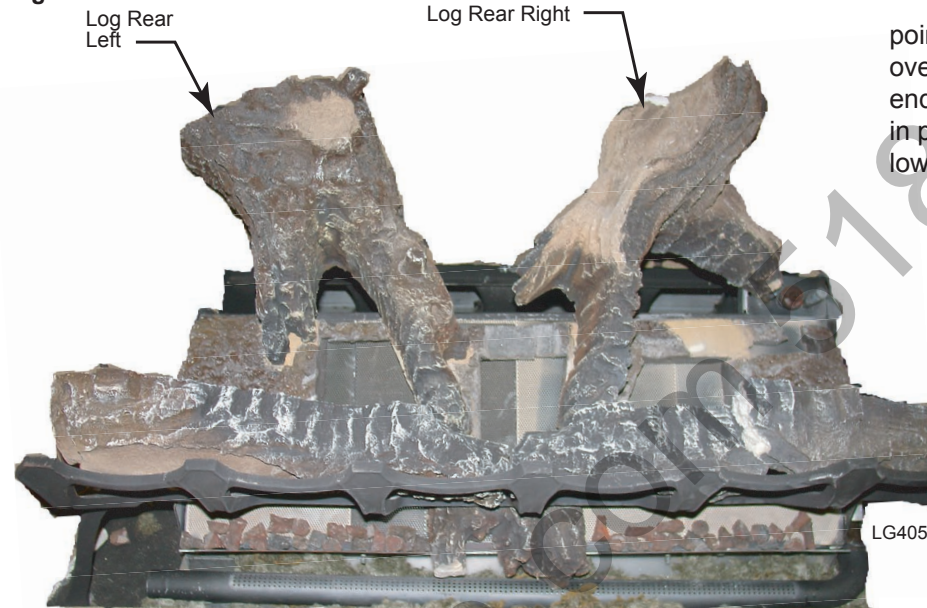
mandatory for proper carry over of flame into the burner tube.

7. Position the Log Grate Right and Left. Position the right and left grate logs simultaneously on the grate in front of the burner housing by holding the two logs with the narrower end toward the middle and the bark details toward the front. Set the logs and lean forward toward the grate. The outer end of the logs should line up with the grate on the outside. (Fig. 44)



8. Position the Log Rear Right . Position the log rear right by holding the log at an angle with the pointed end down toward the bottom. Set the

Figure 45

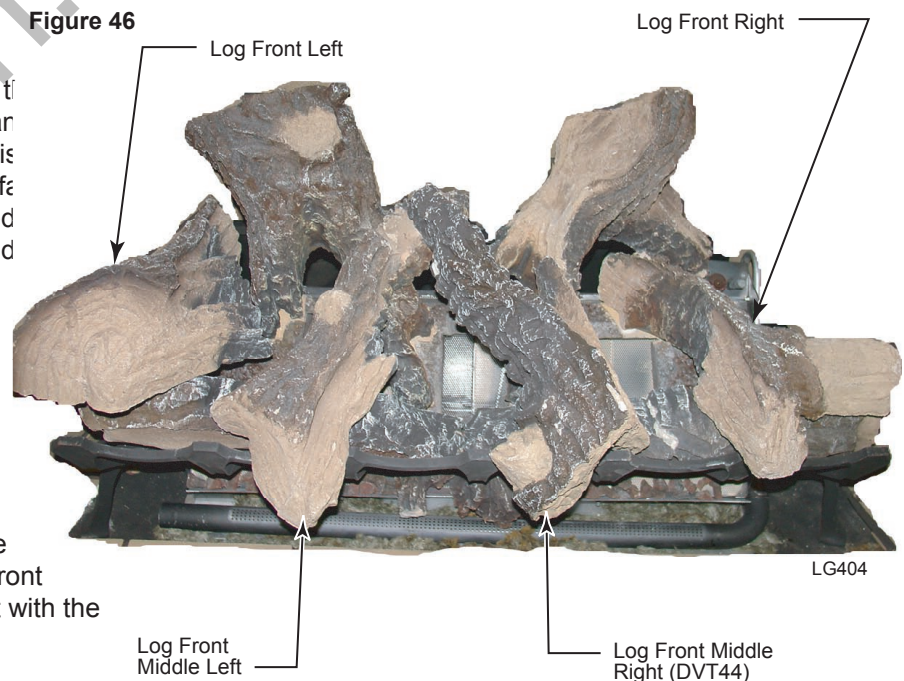


pointed end on the matching notch on the overlay toward the right. Rest the wide end toward the back right. The log rests in place by touching the rear refractory lower on the right. (Fig. 45)

9. Position the Log Rear Left . Position the log rear left by holding the log at an angle with the pointed end down toward the bottom. Set the pointed end on the matching notch on the overlay toward the left. Rest the wide end toward the back left. The log rests in place by touching the rear refractory lower on the left. (Fig. 45)

10. Position the Log Front Left. Position the log front left by holding the log with the wide end toward the front and the narrow end toward the back. Set the rectangular indentation located on the bottom of this log over the rectangular protrusion on the front end of the log grate left. Lay the pointed end of the log over the burner overlay outside the log rear left. (Fig. 46)

Figure 46



11. Position the Log Front Middle Left. Position the log front middle left by holding the log with the wide end toward the front and the narrow end toward the back. Set the round indentation located on the bottom of this log over the round protrusion on the rear left log. Set the log over the fettle where the V-shaped end on the front of this log (split area) comes in contact with the second left tine on the fettle. (Fig. 46)

Figure 47

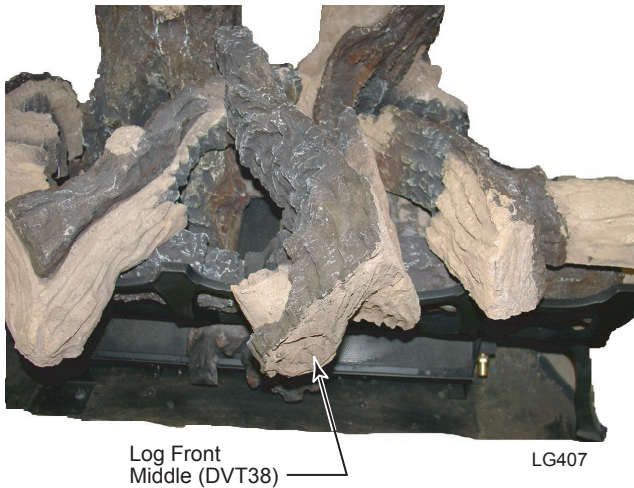
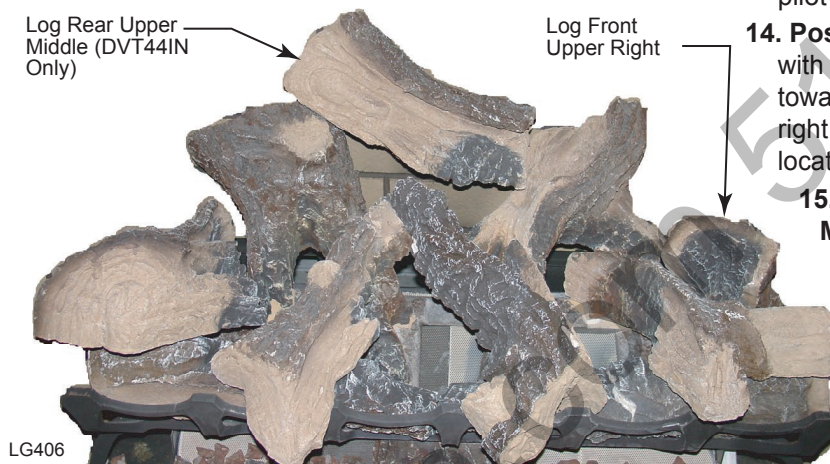


Figure 48

**12. Position the Log Front Middle Right.**

DVT38IN only. Hold the log with the pointed end toward the back and the wide end toward the front. Set the rectangular indentation located on the bottom of this log over the third right tine on the grate. Lay the pointed end of the log over the flat area located on the pointed end of the front middle log. (Fig. 47)

DVT44IN only. Hold the log with the pointed end toward the back and the wide end toward the front. Set the V-shaped end on the front of this log (split area) on the third right tine on the grate. Lay the pointed end of the log over the flat area located on the pointed end of the front middle log. (Fig. 46)

13. Position the Log Front Right. Hold the log with the pointed end toward the back and Y-branch toward the front. Set the rectangular indentation located on the bottom over the rectangular protrusion located on the right grate log. Lay the pointed end of the log over the notched part of the overlay. When the log is in place, the pointed end is located on the left of the pilot assembly. (Fig. 46)

14. Position the Log Front Upper Right. Hold the log with notched end toward the front and the pointed end toward the back. Set the notched end over the front right log. Lay the pointed end over the manifold tube located to the right of the burner housing. (Fig. 48)

15. DVT44IN only. Position the Log Rear Upper Middle. Hold the log with split detail toward the front and the flat end toward the back. Set the round indentation located on the bottom over the round protrusion located on the rear left log toward the back. Set the right end of the log on the split end located on the right rear log toward the left. When this log is in place, it sets side to side. (Fig. 48)

NOTE: Refer to Figures 49 and 50 for complete logset.



Fig. 49 DVT38IN logset complete.

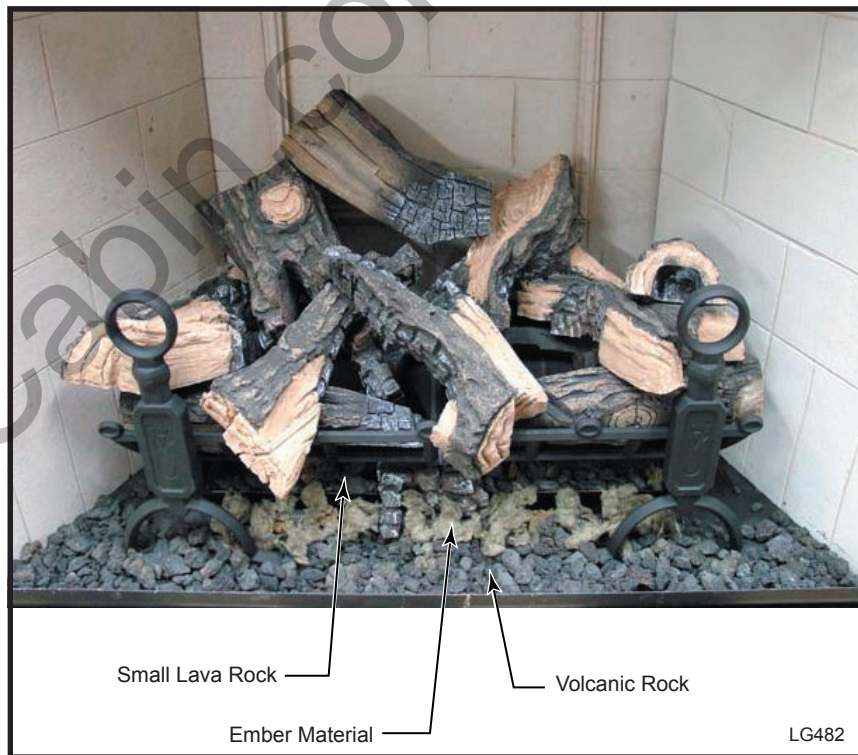


Fig. 50 DVT44IN logset complete.

Flame Characteristics

It is important to periodically perform a visual check of the pilot and burner flames. Compare them to the illustrations below. (Figs. 51 & 52)
 If the flame patterns appear abnormal contact a qualified service provider for service and adjustment.

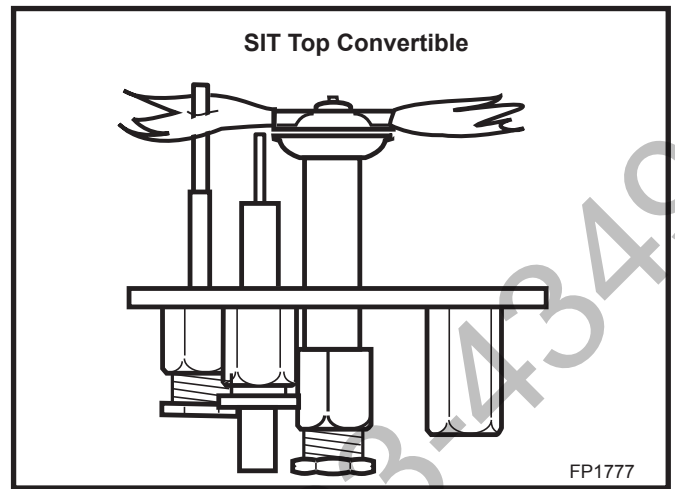


Fig. 51 Correct pilot flame appearance.

DVT38

Figure 52



DVT44



Trim Installation



CAUTION: Allow fireplace to cool if it has been in operation.

Trim components: Top frame assembly, bottom trim assembly, right and left trim assemblies.

NOTE: Place trim pieces with magnets facing window frame.

1. Place bottom trim on the bottom of the window frame. **NOTE:** Final adjustments will be made once all trim pieces are in place.
2. The right and left trim piece have a 45° notch on the back corner of the top end. (Fig. 53) Place the right trim against the right side of the window frame, making sure the bottom is overlapping the bottom trim piece. The right side of the trim should butt up against the right side nailing flange of the fireplace.
3. Place the left trim on the left side of the window frame as in Step 2.
4. Place the top trim piece so the ends overlap both the right and left side trim pieces.
5. Adjust the top trim so the top butts up against the top nailing flange and the sides are butted up against the side nailing flanges and the top trim. Once the top trims are in place, move the bottom trim up until it fits securely with the bottom of the side trims.

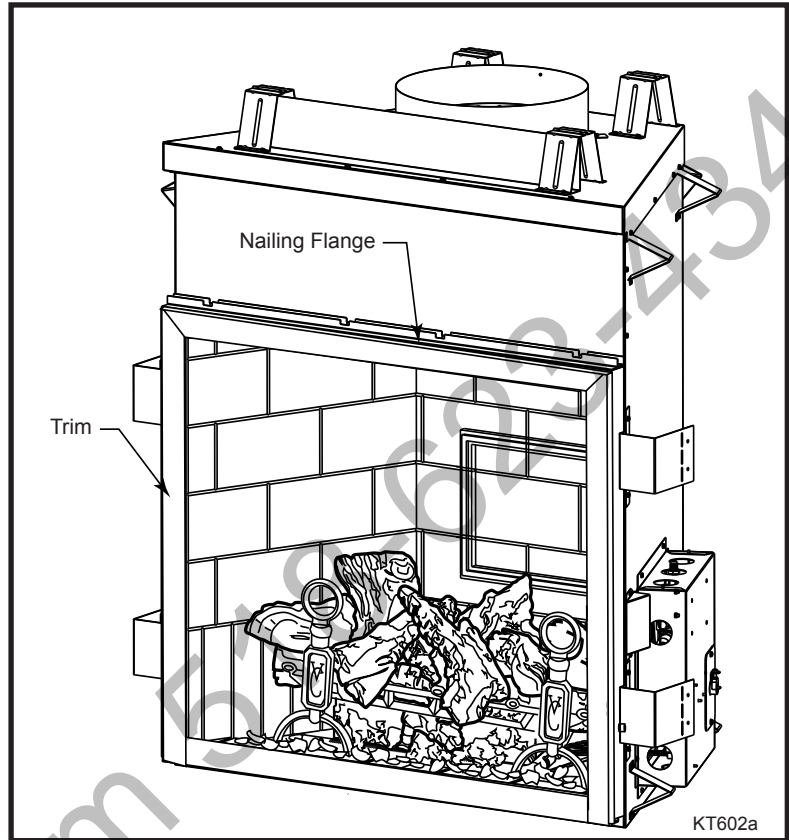


Fig. 54 Trim frame in place.

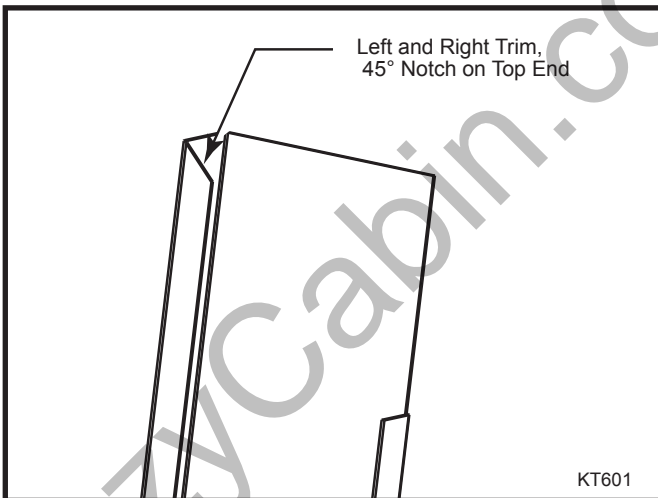


Fig. 53 The right and left trim pieces have a 45° notch on the back corner of the top end when properly installed.

Lighting & Operating Instructions

For Fireplaces equipped with American Flame Automatic Control System (IN or IP)

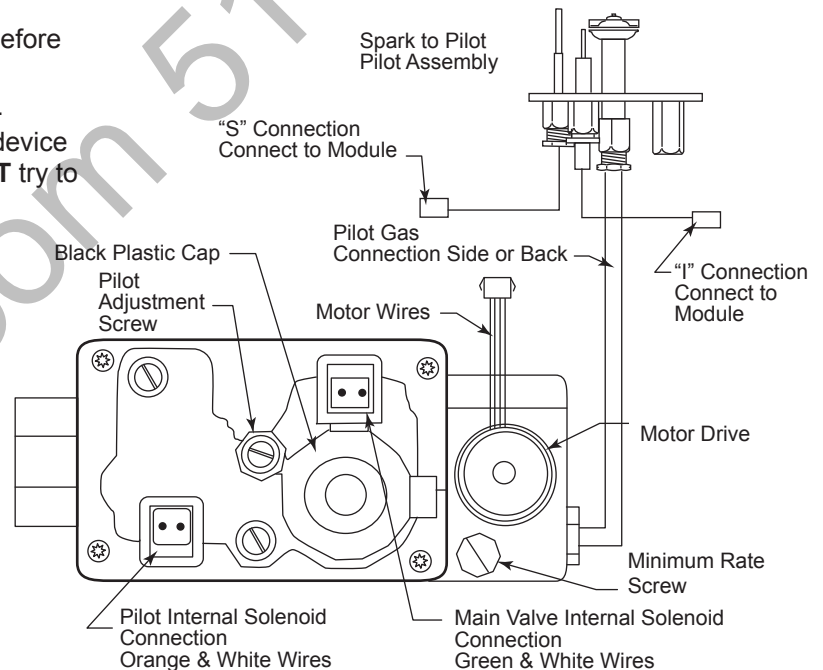
Warning: If you do not follow these instructions exactly, a fire or explosion may result, causing property damage, personal injury and loss of life.

For Your Safety, Read the Following Warnings before Lighting the Appliance

- A. This fireplace is equipped with an ignition device which automatically lights the pilot and main burner. The pilot and burner light automatically with the hand held remote control only. **DO NOT** try to light the pilot by hand. Before lighting this appliance, follow these instructions exactly.
- B. **BEFORE OPERATING**, smell all around the appliance area for gas. Be sure to smell next to the floor because some gas is heavier than the air and will settle on the floor.
- What to do if you smell gas**
- Do not try to light any appliance.
 - Do not operate any electrical switch.
 - Do not use any phone in your building.
 - Immediately call your gas supplier from a neighbor's phone. Follow the gas suppliers instructions.
 - If you cannot contact your gas supplier call the Fire Department
- C. Do not use this appliance if any part has been under water. Immediately call a qualified service technician to inspect the appliance and replace any part of the control system and any gas control that has been under water.

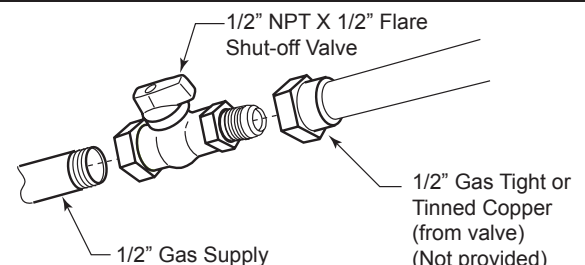
Lighting Instructions

1. **STOP!** Read the safety information above before continuing.
2. Turn off all electrical power to the appliance.
3. This appliance is equipped with an ignition device which automatically lights the pilot. **DO NOT** try to light the pilot by hand.
4. Turn the wireless remote OFF.
5. Wait five (5) minutes to clear out any gas. Then smell for gas, including near the floor. If you smell gas, STOP. Follow instruction B in the safety warnings above. If you do not smell gas, go on to the next step.
6. Turn ON all electrical power to the appliance.
7. Turn wireless remote ON.
8. If the appliance will not operate, follow the instructions **TURNING OFF THE GAS TO THE APPLIANCE**, and call your service technician or gas supplier.



Turning Off the Gas to the Appliance

1. Turn the wireless remote to the OFF position.
2. Turn OFF all electrical power to the fireplace if service is required.
3. Turn the shut-off valve on the gas supply line to the OFF position.



Troubleshooting

American Flame Gas Control System

If erratic system behavior is observed that cannot be resolved by the methods outlined below, ensure that there is not a transmitter with batteries installed that may be interfering. If a transmitter is packed with batteries installed, its buttons may be depressed sending a constant signal which can interfere with the transmission of desired signals. A transmitter with new batteries can have a range of over 100' (30.4 m).

Module will not learn transmitter

- Ensure the REMOTE/OFF switch on the side of the module is set to REMOTE.
- Make sure the batteries in both the transmitter and receiver are installed in the proper direction and are not drained. Individual battery voltage should be no less than 1.4V for AA and AAA batteries, 2.8V for button cells, and 9.0V for 12V batteries.
- Verify the transmitter indicates a signal is being sent. With thermostat transmitters, the LCD display should indicate ON or OFF depending on which button is being pressed. The LED indicator should illuminate on wall transmitters and on/off hand-held transmitters. Buttons should be pressed and held for 1 to 2 seconds to ensure a complete signal is sent.
- Make sure the transmitter is within the 20' (6 m) operational range of the receiver.
- Ensure the 4-pin lead-set is securely connected from the battery pack to the control module's AUX connection. If the A/C power adapter is used, make sure the leads from the adapter are securely connected to the POWER terminals on the control module.
- Press and hold the LEARN button on the module for approximately 10 seconds to clear the memory (you should hear a series of beeps from the receiver). Then press and release the learn button (you should hear a single beep from the receiver), immediately press either the ON or OFF button on the transmitter (you should hear a series of beeps indicating the transmitter code has been learned).

Pilot will not light/stay lit

- Verify the gas supply is turned on.
- Verify the receiver is receiving the signal from the transmitter by listening for a beep from the receiver when ON is pressed on the transmitter. If you do not hear a beep, ensure the module has learned the transmitter (see above).
- Ensure the orange lead from the pilot assembly igniter is securely connected to the terminal labeled "I" and the white lead from the flame rectification sensor is securely connected to the terminal labeled "S" on the control module.
- Make sure the orange and white leads from the module are securely connected to the terminals labeled "PILOT" on the valve body.
- Ensure the black GROUND wire is securely connected to an appropriate metal portion of the valve or pilot assembly. **A proper ground is essential to spark igniter operation.**
- Make certain the pilot flame is in contact with the flame rectification sensor on the pilot assembly. This valve is equipped with a pilot flame adjustment screw. If the pilot flame is too small it will not contact the flame rectification sensor and will not complete the safety circuit.
- Check continuity of pilot coil on valve. Remove wire connector. If there is no continuity on pin terminals, replace valve.

Pilot flame is always on/ will not extinguish

- Ensure the CONTINUOUS PILOT switch on the control module is set to OFF.
- Check the handheld transmitter display for the word "PILOT" on the LCD screen. If this is displayed, press and hold the CONTINUOUS PILOT button on the hand-held transmitter for approximately 10 seconds to turn off continuous pilot mode.

Troubleshooting American Flame Gas Control System (continued)

Pilot is burning but ignitor continues to spark	<ul style="list-style-type: none"> • Check that flame sensor is fully impinged by pilot flame. If not, adjust pilot. • Check end-to-end continuity of sensor. If sensor has continuity, replace module.
Main flame will not light	<ul style="list-style-type: none"> • Verify the gas supply is turned on. • Ensure the pilot flame will ignite. If not, see pilot flame troubleshooting above. • Make sure the green and white leads from the module are securely connected to the terminals labeled "MAIN: on the valve body. • Make certain the pilot flame is in contact with the flame rectification sensor on the pilot assembly. This valve is equipped with a pilot flame adjustment screw. If the pilot flame is too small it will not contact the flame rectification sensor and will not complete the safety circuit. • Ensure the pilot flame is properly located to ignite the main flame. • Does the remote show CP in the display? If yes, childproof is on. Refer to transmitter operating instructions in this manual. • Check continuity of main burner coil in gas valve. Remove wire connector. If there is no continuity, replace valve.
Flame height adjustment will not work/works backwards	<ul style="list-style-type: none"> • Ensure the black and red leads from the battery pack or the AF4000 110H/L module are securely connected to the red and black leads from the motor drive located on the valve body (red to red and black to black). • Make sure the Pulse/Continuous button on the Power Module is set to Continuous mode. If flame does not continuously change (increase or decrease in size) while holding down the ON H/L button, the power module mode must be changed. Hold down the Pulse/Continuous button on the Power Module for 2 to 3 seconds to change mode from pulse to continuous. Re-try flame adjustment. • Check functionality with all transmitters to determine if there is an issue with the main control system or an individual transmitter. If the issue is with an individual transmitter, make sure the batteries in both the transmitter and receiver are installed in the proper direction and are not drained. Individual battery voltage should be no less than 1.4V for AA and AAA batteries, 2.8V for button cells, and 9.0V for 12V batteries.
Room temperature displayed on handheld transmitter is not correct. (When using thermostatic transmitters only)	<ul style="list-style-type: none"> • Ensure the transmitter was not recently stored in a different environment (air-conditioned, heated) from that in which the transmitter is being tested. It may take up to 3 hours for the temperature inside a packaged transmitter, and several minutes for an unpackaged transmitter, to equalize with the room temperature.
Unit will not respond in THERMO mode. (When using thermostatic transmitters only)	<ul style="list-style-type: none"> • Ensure the thermostatic transmitter is within the 20' operational range. • Make sure an ON or OFF command was not last sent from another transmitter. These commands will override the thermal commands from the handheld transmitter. To return the system to THERMO mode, press either ON or OFF on the thermostatic transmitter, then press the MODE button to put the system in THERMO mode. Press and hold the SET button to change the set temperature. • Verify the set temperature on the thermostatic remote is at least 2 degrees above or below the room temperature. The system will not react to temperatures within 2 degrees of the set temperature.

American Flame Gas Control System Error Codes

Ignition Safety: Protection for Ignition System

Error Code: One beep every one second

Description of Fault: Warn users if the pilot is not successfully ignited in 60 seconds.

How to Clear: Press OFF then ON buttons to re-attempt ignition.

What to Check:

- Ensure gas supply is turned on.
- Ensure orange/white leads from module are plugged into the "PILOT" connection on the valve body.
- Verify the lead from igniter on pilot assembly is connected to the "I" terminal on the module.
- Verify lead from flame sensor on pilot assembly is connected to the "S" terminal on the module.
- Verify that the black ground lead from the module is connected to a proper ground on the fireplace.
- Ensure there is no blockage in the pilot line.

Sensor Safety: Protection for Flame Sensor

Error Code: 4 beeps every one second

Description of Fault: Warn users the pilot flame sensor detects a pilot flame already present when ignition sequence is initiated. This fault will also occur if pilot flame sensor is shorted to ground.

How to Clear: Press OFF then ON buttons to re-attempt normal ignition.

What to Check:

- Check if pilot flame is actually present when valve is turned OFF (valve replacement necessary if yes).
- Replace pilot assembly.
- Replace module.

Thermal Safety: Overheat Protection

Error Code: 4 beeps every two seconds.

Description of Fault: Warn users that the module's internal temperature has exceeded 170° F (77° C).

How to Clear: Module's internal temperature must cool to below 160° F (71° C) and then press ON button.

What to Check:

- Is module located in unapproved location, too close to burner?
- Move to cooler location.

Communication Safety: (**NOTE:** This feature is only available when transmitter includes an LCD screen).

Error Code: One beep every four seconds.

Description of Fault: Warn users that the transmitter and receiver are not communicating properly.

What to Check:

- Verify batteries in both transmitter and receiver are new.
- Ensure transmitter is located within 20 feet (6 m) of receiver.
- Ensure transmitter is not placed in metal enclosure or laying directly on top of a metal surface as this can interfere with transmission.

Fuel Conversion Instructions

WARNING! This conversion kit shall be installed by a qualified service agency in accordance with the manufacturer's instructions and all applicable codes and requirements of the authority having jurisdiction. If the information in these instructions is not followed exactly, a fire, explosion or production of carbon monoxide may result causing property damage, personal injury or loss of life. The qualified service agency is responsible for the proper installation of this kit. The installation is not proper and complete until the operation of the converted appliance is checked as specified in the manufacturer's instructions supplied with the kit.

CAUTION: The gas supply shall be shut off prior to disconnecting the electrical power, before proceeding with the conversion.

Avertissement: Cette trousse de conversion Ne doit être installée que par le représentant d'un organisme qualifié et conformément aux instructions du fabricant et aux codes et exigences pertinentes de l'autorité compétente. Quiconque ne respecte pas à la lettre les instructions du présent guide risque de déclencher un incendie, une explosion ou le dégagement de monoxyde de carbone entraînant des dommages matériels, des lésions corporelles ou la perte de vies humaines. L'organisme qualifié qui effectue les travaux est responsable de l'installation de cette trousse. L'installation n'est pas terminée tant que le fonctionnement de l'appareil converti n'a pas été vérifié selon la notice du fabricant qui accompagne la trousse.

ATTENTION: Avant d'effectuer la conversion, coupez d'abord l'alimentation en gaz, ensuite, coupez l'alimentation électrique.

Conversion Precautions

Allow unit to cool if it has been operating.

Before proceeding with conversion, turn gas supply OFF. Turn OFF any electricity that may be going to appliance.

Conversion Procedure

1. Remove glass frame. Refer to Glass Frame Assembly section on Page 26.
2. Remove lava rock, volcanic rock, embers and logs.
CAUTION: Logs may be hot.
3. With a Phillips or Robertson screwdriver, remove the two (2) screws holding the fettle to the burner

assemblies. Using 3/8" hex, remove the two (2) hex nuts (located between the burner tube assembly and the burner housing) holding the burner tube to the base pan assembly.

4. Using a 3/8" hex, remove two (2) hex nuts holding the left burner leg and remove the two (2) hex nut that tie the burner housing to the right and left burner leg. Remove burner leg. (Fig. 55)

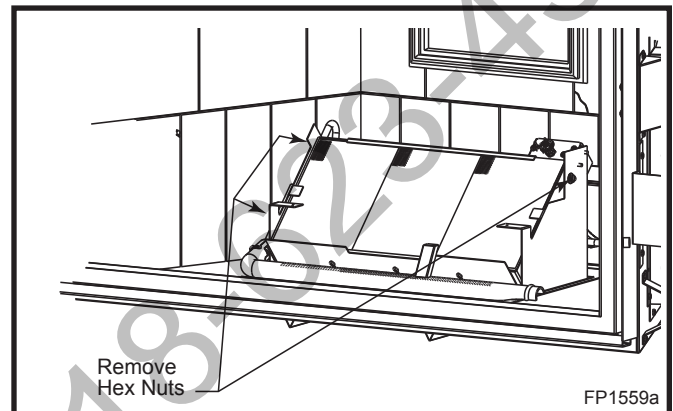


Fig. 55 Use 3/8" socket to remove hex nuts holding left burner leg.

5. Slide the burner housing assembly to the left and away. Adjust air shutter setting. Pull burner tube assembly forward and out. Adjust air shutter setting. Refer to Table 2 on Page 41.
6. Replace the three (3) injectors. Refer to Table 1.
7. Replace pilot orifice.
8. Remove pilot hood by lifting up. (Fig. 56) **NOTE:** It is not necessary to remove the pilot tube for conversion.
9. Remove pilot orifice with 5/32" Allen wrench. (Fig. 57)

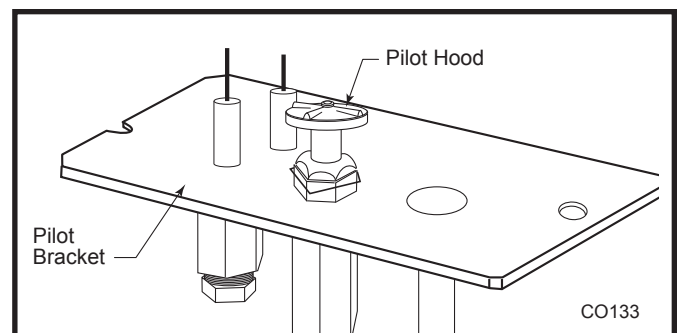


Fig. 56 Remove pilot hood.

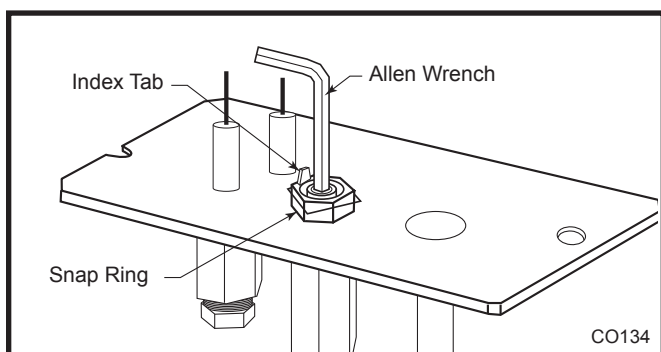


Fig. 57 Remove pilot orifice.

10. Install the conversion orifice.
11. Reinstall pilot hood. Be sure to align hood with index tab.

Converting the Gas Control Valve

The AF4000 electronic control valve is convertible from natural gas to propane gas by changing the minimum rate screw in the valve and by rotating a plastic knob located under a black cap on the top face of the valve.

1. Refer to Control System Installation section on Page 8 for instructions to gain access to the electronic control valve.
2. Remove the black cap by pulling the cap straight off. Note the position of the marker on the top of the rotary knob. This marker will point to NAT or LP. (Fig. 58)

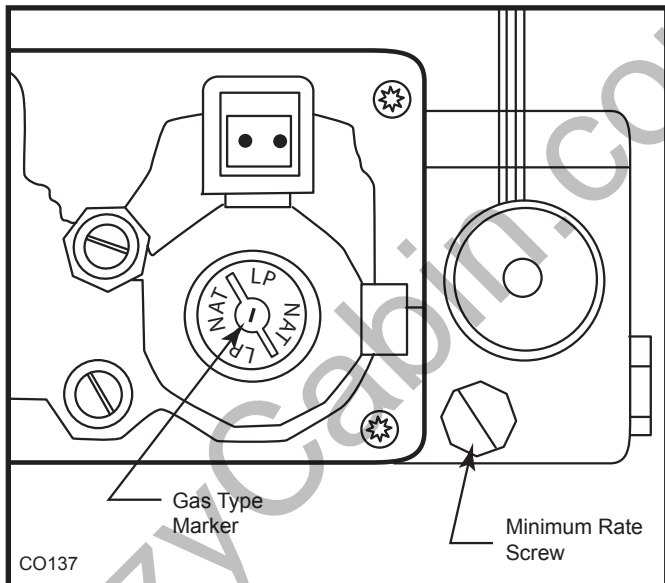


Fig. 58 Remove black plastic cap and adjust rotary knob to correct gas type. (LP position shown) Replace minimum rate screw with one supplied in conversion kit.

3. To convert the valve from NG to LP, push in the knob and rotate 90° (1/4 turn). **NOTE:** The shaft should point to LP and the shaft will remain pushed in.
4. Remove the minimum rate screw, using a small screwdriver, located in the valve next to the motor drive. (Fig. 58)

5. Replace the minimum rate screw with the one provided in the LP conversion kit supplied with this fireplace. Ensure the screw is fully installed.
6. After the conversion has been made, check the manifold outlet pressure with a manometer at the test ports located at the right side front edge of the fireplace opening. The lower test port is manifold outlet pressure.



CAUTION: Turn off the gas supply before removing test port plug.

Check Manifold Pressure

7. Using a 7/16" nut driver, remove the threaded plug from the test port.
8. Thread the supplied brass extension adaptor fully into the open test port.
9. Attach a 1/4" diameter pressure gauge flexible hose fully onto the barb of the adaptor.
10. Turn on gas supply and operate valve with remote control as needed to indicate gas pressure. The manifold pressure for LP should be 10" wcp. The manifold pressure for NG should be 3.5" wcp.



CAUTION: Turn off the valve and gas supply before removing test port adaptor and replacing plug.

11. After test, remove adaptor and replace plug.
12. Turn on gas supply and check that plugs are tight and leak free.
13. Install the enclosed identification label to the valve body where it can easily be seen.
14. Test for Leaks
 - Apply gas to the system and light the pilot.
 - With a soapy solution check for leaks around the pilot assembly where the tube enters the pilot assembly. Tighten fitting if necessary.
 - With the main burner "ON" check for leaks around the burner orifice. Be careful of the burner flame. Tighten orifice if necessary.
15. Replace burner to original position.
16. Replace burner leg.
17. Replace burner tube and fettle.
18. Follow instructions starting on Page 28 to reinstall logs, lava rock, volcanic rock and embers.
19. Replace glass frame.

Table 1 Injector Orifice Size Matrix

Conversion to LP									
Kit #	Model	Burner Orifice						Input (BTU/hr)	
		Front	Part #	Middle	Part #	Rear	Part #	Minimum	Maximum
20011992	DVT38IP	#66 (.033")	20009182	#59 (.041")	20000664	#50 (.070")	30000337	34,000	46,000
20012367	DVT44IP	#63 (.037")	20006251	#57 (.043")	20004587	#49 (.073")	20006252	45,000	60,000

Table 2 Air Shutter Settings

Conversion to LP		
Model	Burner Tube Air Shutter Setting	Burner Housing Air Shutter Setting
DVT38IP	Fully open	n/a
DVT44IP	Fully open	Fully open

Table 3 Valve Minimum Rate Screw

Model	Size	Part #
DVT38IP	#31 (.120")	20012364
DVT44IP	No Shank Screw	20012264

Pilot Flame Adjustment

Typically, the top 3/8" or 1/2" of the pilot flame sensor should be engulfed in the pilot flame. (Page 33, Fig. 55)

To adjust pilot burner:

1. Locate pilot adjustment screw on the valve next to the black plastic cap. Refer to Page 35.
2. Adjust pilot screw to provide proper sized flame. Only a small adjustment should be needed.

NOTE: Do not rotate screw excessively. Do not adjust any other screws on the valve.

Maintenance

Burner and Burner Compartment

It is important to keep the burner and the burner compartment clean. At least once per year the logs and lava rock/ember material should be removed and the burner compartment vacuumed and wiped out. Remove and refit the logs as per the instructions in this manual.



Always handle the logs with care as they are fragile and may also be hot if the fireplace has been in use.

Cleaning the Control System

The burner and control system consist of:

- burner tube • gas orifice
- pilot assembly • gas valve

Most of these components may require only an occasional checkup and cleaning and some may require adjustment. **If repair is necessary, it should be performed by a qualified technician.**

1. Turn off main gas shut-off valve.
2. Allow fireplace to cool if it has been operating.
3. Remove window frame assembly. (Refer to Window Frame Assembly Removal section.)
4. Remove logs.
5. Vacuum burner compartment especially around orifice primary air openings.

6. Visually inspect pilot. Brush or blow away any dust or lint accumulation.

7. Reinstall logs.

8. Ignite pilot - Refer to Lighting Instructions.

9. Reinstall window frame assembly.

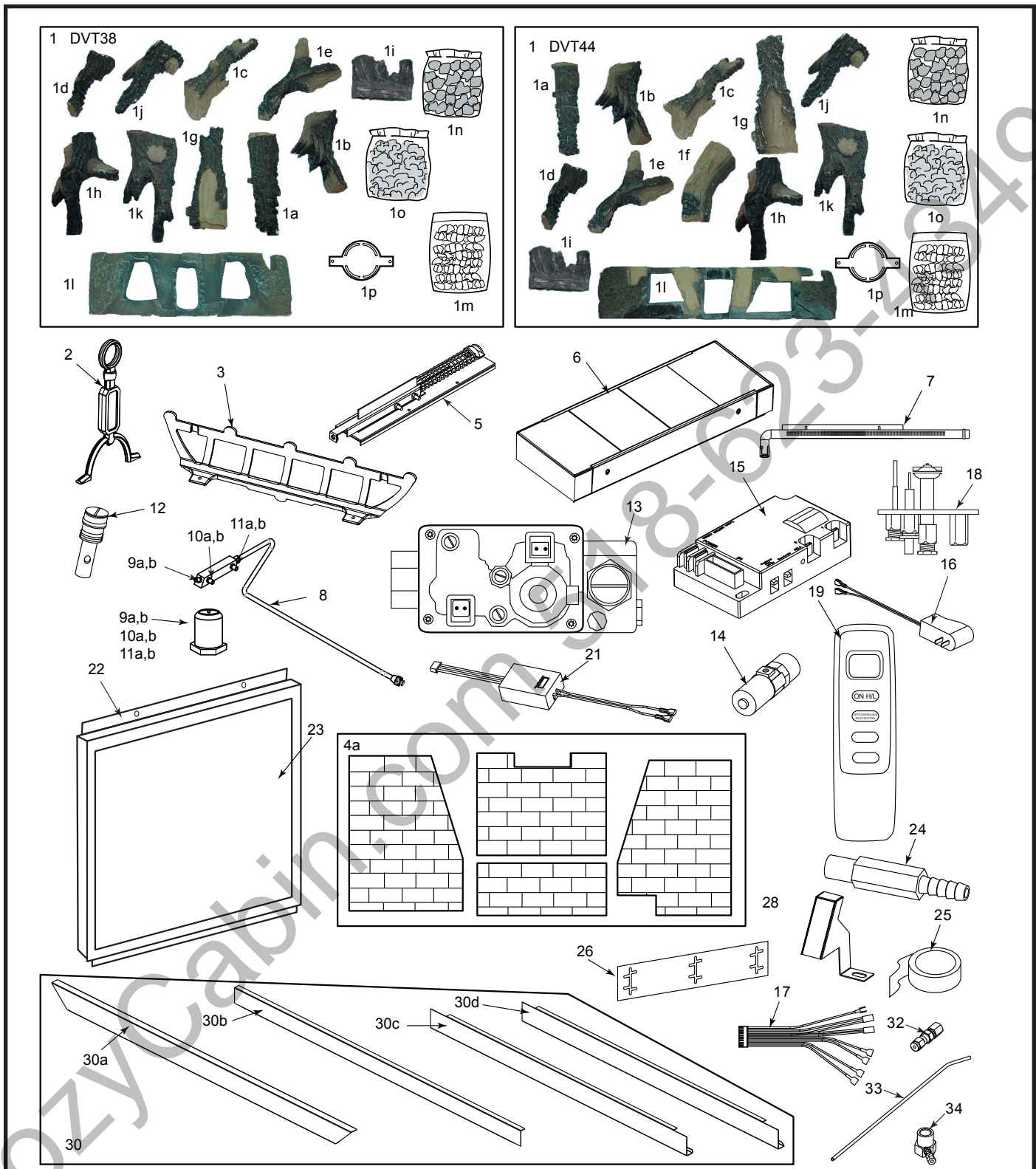
To obtain proper operation, it is imperative that the pilot and burner's flame characteristics are steady, not lifting or floating.

Typically, the top 3/8" or 1/2" of the pilot flame sensor should be engulfed in the pilot flame. (Page 33, Fig. 51)

To adjust pilot burner:

1. Locate pilot adjustment screw on the valve next to the black plastic cap. (Refer to Page 35)
2. Adjust pilot screw to provide proper sized flame. Only a small adjustment should be needed.

NOTE: Do not rotate screw excessively. Do not adjust any other screws on the valve.



CFM Corporation reserves the right to make changes in design, materials, specifications, prices and discontinue colors and products at any time, without notice.

DVT38IN, DVT44IN

For Units: GFYN5Q0, GFYN500

DVT38IN, DVT44IN (continued)

Ref.	Description	DVT38IN		DVT44IN	
1.	Log Set (Complete)	20011953		20011954	
1a.	Log Grate Right	20011977 (F39)		20011964 (F54)	
1b.	Log Front Left	20011965 (F32)		20011965 (F32)	
1c.	Log Front Middle Left	20011966 (F33)		20011966 (F33)	
1d.	Log Front Upper Right	20011967 (F41)		20011967 (F41)	
1e.	Log Front Right	20011968 (F42)		20011968 (F42)	
1f.	Log Rear Upper Middle	--		20011969 (F43)	
1g.	Log Grate Left	20011978 (F40)		20011970 (F44)	
1h.	Log Rear Right	20011971 (F34)		20012714 (F45)	
1i.	Log Grate Burner	20011972 (F35)		20011972 (F35)	
1j.	Log Front Middle Right	20011973 (F36)		20011973 (F36)	
1k.	Log Rear Left	20011974 (F37)		20012715 (F46)	
1l.	Log Burner Overlay	20011975 (F38)		20011976 (F55)	
1m.	Small Lava Rock Package	57897		57897	
1n.	Volcanic Rock	20000376		20000376	
1o.	Bag of Glowing Embers	51915		51915	
1p.	Restrictor	20006959		20005817	
2.	Andiron Assembly	20011952		20011952	
3.	Fettle	20011950		20011951	
	Ceramic Refractory	Colonial Red		Limestone	
		DVT38CRR	DVT44CRR	DVT38CRL	DVT44CRL
		DVT38CRH	DVT44CRH		
4.	Refractory Set Complete	GAFC5Q0	GAFC500	GAPC5Q0	GAPC500
		GALC5Q0	GALC500		
5.	Spring Latch Assembly	20005788		20005788	
6.	Burner Housing Assembly	20013835		20013668	
7.	Burner Tube Assembly	20013842		20013670	
8.	Manifold Tube Assembly	20013838		20013683	
9a.	Front Orifice 1.55 mm (.061") - Natural	--		20012877	
9a.	Front Orifice #54 (.055") - Natural	20000130		--	
9b.	Front Orifice #63 (.037") - LP	--		20006251	
9b.	Front Orifice #66 (.033") - LP	20009182		--	
10a.	Middle Orifice #38 (.1015") - Natural	--		20009310	
10a.	Middle Orifice #54 (.055") - Natural	20000130		--	
10b.	Middle Orifice #57 (.043") - LP	--		20004587	
10b.	Middle Orifice #59 (.041") - LP	20000664		--	
11a.	Rear Orifice #21 (.159") - Natural	--		20014124	
11a.	Rear Orifice #30 (.128") - Natural	20009175		--	
11b.	Rear Orifice #45 (.082") - LP	--		20010169	
11b.	Rear Orifice #50 (.070") - LP	30000337		--	
12.	Minimum Rate Screw - LP	20012364		20012264	
13.	American Flame Valve AF-4034-IN Assembly	20011893		20011893	
14.	DC Motor, Valve	20011898		20011898	
15.	Main Module	20011895		20011895	
16.	AC Adaptor	20011900		20011900	
17.	24" Wire Harness	20012258		20012258	
18.	Pilot Assy 3way N/DV Top Convertible - IN	10002387		10002387	
19.	Remote Control	20011904		20011904	
20.	Battery Back-up Accessory Kit Optional (not shown)	DVTBBK		DVTBBK	

DVT38IN, DVT44IN (continued)

Ref.	Description	DVT38IN	DVT44IN
21.	Power Module (DC System Only)	20011901	20011901
22.	Glass Frame Assembly	20012242	20012240
23.	Glass Assembly	20012243	20012241
24.	Pressure Test Adaptor	20012312	20012312
25.	Outer Pipe Aluminum Foil Tape	20006169	20006169
26.	Plate, Restrictor	20006663	20006757
27.	Milpac Tube (not shown)	53326	53326
28.	Front Burner Lighting Hood	10009824	10009824
29.	Cement Rutland (not shown)	30000524T	30000524T
30.	Complete Trim Set	20010894	20010893
30a.	Top Trim	20010901	20010897
30b.	Bottom Trim	20010904	20010900
30c.	Left Side Trim	20010903	20010899
30d.	Right Side Trim	20010902	20010898
31.	Label Hang Tag	20012476	20012575
32.	Bulkhead Fitting 1/8" Tube to 1/8" NPT (2 required)	20012261	20012261
33.	1/8" Tubing (2 required)	20012259	20012259
34.	Elbow Fitting 3/8" NPT x 1/8 Tube (2 required)	20012260	20012260

Fuel Conversion Kits

Conversion Kit, NG to LP

DVT38IN Kit #20011992

DVT44IN Kit #20012367

Conversion Kit, LP to NG

DVT38IN Kit #20013199

DVT44IN Kit #20013200

Accessories

Back-up Battery Kit

All Models: DVTBBK

Follow instructions provided with the kit or on Page 9 for installation.

Wall Mountable Wireless Remote Transmitter

All Models: Part # 20012267.

Refer to Page 8 for installation.

Ceramic Refractory Kits

Ceramic refractory panels are available in kit form for the DVT38IN and DVT44.

Fireplace	Kit Model	Description
DVT38IN	DVT38CRR	Colonial Red
DVT38IN	DVT38CRL	Limestone
DVT38IN	DVT38CRH	Herringbone
DVT44IN	DVT44CRR	Colonial Red
DVT44IN	DVT44CRL	Limestone
DVT44IN	DVT44CRH	Herringbone

Follow instructions on Page 27 for installation.

LIMITED LIFETIME WARRANTY

PRODUCT COVERED BY THIS WARRANTY

All Vermont Castings brand gas stoves, gas inserts, and gas fireplaces installed in the United States of America or Canada.

LIMITED LIFETIME WARRANTY

CFM Corporation (hereinafter referred to as CFM) warrants that all cast iron parts, the combustion chamber, ceramic burner, and heat exchanger of every Vermont Castings gas product will be free of defective material or workmanship during the period the product is owned by the original owner subject to proof of purchase and the conditions and limitations listed on this warranty document.

BASIC ONE-YEAR WARRANTY

CFM warrants to the original owner that your new Vermont Castings Gas Appliance is free from defects in material or workmanship for a period of one year from the date of purchase, subject to the following conditions and limitations. Labor to replace these parts is covered for one year, reimbursed per our warranty service fee schedule.

COMPONENT WARRANTY LIMITATIONS

PORCELAIN ENAMEL FINISHED PARTS: CFM offers no warranty on chipping of enamel surfaces. Inspect all products prior to accepting them for any damage to the enamel. The salt air environment of coastal areas or a high humidity environment can be corrosive to the porcelain enamel finish. These conditions can cause rusting of the cast iron beneath the porcelain enamel finish, which will cause the finish to flake off. Color lot variations with parts and/or accessories can occur and are not covered by warranty.

GLASS: Glass is not warranted for breakage due to misuse or accident. Glass is not covered for discoloration or stains due to environmental issues, or improper cleaning and maintenance.

PLATED PARTS AND ACCESSORIES: Brass, nickel, and gold parts should be cleaned with Lemon oil only. Commercial cleaners cannot be used. Mortar mix and masonry cleaners corrode the brass finish. The CFM will not be responsible for, nor will it warrant any brass parts which are damaged by external chemicals or down draft conditions.

ACCESSORIES: Unless otherwise noted, CFM supplied accessories are covered for a period of one year.

GENERAL CONDITIONS AND LIMITATIONS

- This Vermont Castings product must be installed or serviced by a qualified installer, preferably NFI or WETT (Canada) certified, as prescribed by the local jurisdiction. It must be installed and operated at all times in accordance with the Installation and Operating instructions furnished with the product. Any alteration, willful abuse, accident, or misuse of the product shall nullify this warranty.
- This warranty is non-transferable, and is made to the original owner, provided that the purchase was made through an authorized supplier of Vermont Castings branded CFM products.
- Parts covered under the Limited Lifetime Warranty will be covered for the lifetime of the appliance up to a maximum of seven (7) years after CFM discontinues the model. The maximum amount recoverable under this warranty is limited to the purchase price of the product and, if CFM is unable to provide replacement or repair in an expedient and cost effective manner, CFM may discharge all obligations under this warranty by refunding the purchase price of the product.
- Any labor and related repair charges relating to the cost and expenses of replacing or repairing defective components under the Limited Lifetime Warranty are not covered, except as provided for under the Basic One-Year Warranty.

- Any part or component replaced under the provisions of this warranty is covered for six months or the remainder of the original warranty, whichever is longest.
- Any installation, labor, construction, transportation, or other related costs/expenses arising from defective part(s), repair, replacement, or otherwise of same, will not be covered by this warranty, nor shall the Company assume responsibility for same. **IN NO EVENT SHALL CFM BE LIABLE FOR ANY INCIDENTAL OR CONSEQUENTIAL DAMAGES CAUSED BY DEFECTS IN THE PRODUCT except as provided by law**
- SOME STATES DO NOT ALLOW FOR THE EXCLUSION OR LIMITATIONS OF INCIDENTAL AND CONSEQUENTIAL DAMAGES OR LIMITATIONS ON HOW LONG AN IMPLIED WARRANTY LASTS, SO THE ABOVE LIMITATIONS MAY NOT APPLY TO YOUR CIRCUMSTANCES. THIS WARRANTY GIVES YOU SPECIFIC RIGHTS AND YOU MAY HAVE OTHER RIGHTS WHICH VARY FROM STATE TO STATE.
- All other warranties expressed or implied with respect to the product, its components and accessories, or any obligations/liabilities on the part of the Company are hereby expressly excluded.
- The Company neither assumes, nor authorizes any third party to assume on its behalf, any other liabilities with respect to the sale of this Vermont Castings product
- The warranties as outlined within this document do not apply to chimney components or other non CFM Corporation accessories used in conjunction with the installation of this product.
- Damage to the unit while in transit is not covered by this warranty but is subject to claim against the common carrier. Contact the dealer from whom you purchased your fireplace/stove (do not operate the appliance as this might negate the ability to process the claim with the carrier).
- The Company will not be responsible for:
 - a) Down drafts or spillage caused by environmental conditions such as near-by trees, buildings, roof tops, hills, or mountains.
 - b) Inadequate ventilation or negative air pressure caused by mechanical systems such as furnaces, fans, clothes dryers, etc.
- This warranty is void if:
 - a) The fireplace has been operated in atmospheres contaminated by chlorine, fluorine, or other damaging chemicals.
 - b) The fireplace has been subjected to prolonged periods of dampness or condensation
 - c) Any damages to the fireplace, combustion chamber, heat exchanger or other components due to water, or weather damage, which is the result of but not limited to, improper chimney/venting installation.
 - d) Any alteration, willful abuse, accident, or misuse of the product has occurred.

IF WARRANTY SERVICE IS NEEDED...

Contact your installing Vermont Castings dealer. Make sure you have your warranty, your sales receipt, the model number and serial number of your CFM product. If you're the installing dealer is unknown or unable to provide necessary parts or service, a list of Authorized Vermont Casting dealers can be located on the internet at www.vermontcastings.com

Canada

ENERGUIDE

Look for the **EnerGuide**
Gas Fireplace Energy
Efficiency Rating in this brochure

Based on CSA P.4.1-02

Efficiency Ratings

Model	EnerGuide Ratings Fireplace Efficiency (%)
DVT38IN	48.2
DVT38IP	48.2
DVT44IN	51
DVT44IP	51

NATIONAL
FIREPLACE
INSTITUTE



CERTIFIED

www.nficertified.org

We recommend that our gas hearth products be installed and serviced by professionals who are certified in the U.S. by the National Fireplace Institute® (NFI) as NFI Gas Specialists.

CFM Corporation

2695 Meadowvale Blvd. • Mississauga, Ontario, Canada L5N 8A3
800-668-5323 • www.cfmcorp.com