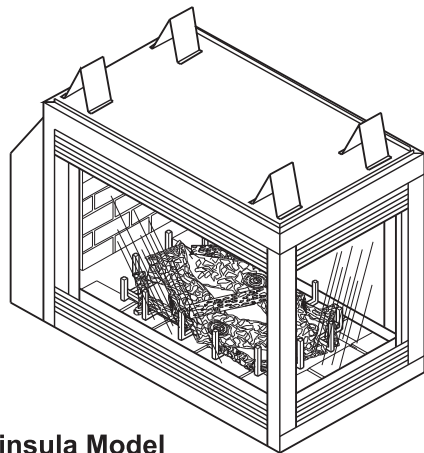




FMI PRODUCTS, LLC

**DIRECT-VENT FIREPLACE  
OWNER'S OPERATION AND INSTALLATION MANUAL**



Peninsula Model  
Shown

**PENINSULA MODELS (V)DVF36  
TPNA-A(-HA)/TPNPA-A/TPNEA-A/TPNPEA-A  
SEE-THRU MODELS (V)DVF36  
TSTA-A(-HA)/TSTPA-A/TSTEA-A/TSTPEA-A**

**⚠ WARNING:** If the information in this manual is not followed exactly, a fire or explosion may result causing property damage, personal injury or loss of life.

- Do not store or use gasoline or other flammable vapors and liquids in the vicinity of this or any other appliance.
- **WHAT TO DO IF YOU SMELL GAS**
  - Do not try to light any appliance.
  - Do not touch any electrical switch; do not use any phone in your building.
  - Immediately call your gas supplier from a neighbor's phone. Follow the gas supplier's instructions.
  - If you cannot reach your gas supplier, call the fire department.
- Installation and service must be performed by a qualified installer, service agency or the gas supplier.

**INSTALLER:** Leave this manual with the appliance  
**CONSUMER:** Retain this manual for future reference.

For more information, visit [www.fmiproducts.com](http://www.fmiproducts.com)

## TABLE OF CONTENTS

Safety .....	2	Operating Guidelines and Maintenance .....	27
Dimensions .....	5	Operation .....	28
Pre-Installation Preparation .....	6	Specifications .....	30
General Venting .....	9	Troubleshooting .....	31
Requirements for the Commonwealth of Massachusetts .....	11	Wiring Diagrams .....	33
Venting Installation .....	12	Service Hints .....	33
Fireplace Installation .....	21	Technical Service .....	33
Pilot/Electrode Assembly Adjustment .....	26	Parts and Accessories .....	34
Burner Flame Adjustment .....	26	Replacement Parts .....	34
		Warranty .....	Back Cover

## SAFETY

**⚠ WARNING:** Improper installation, adjustment, alteration, service or maintenance can cause injury or property damage. Refer to this manual for correct installation and operational procedures. For assistance or additional information consult a qualified installer, service agency or the gas supplier.

**This direct-vent gas fireplace heater series is intended for use with natural or propane/LP gas only. Do not attempt to burn any solid fuels in these appliances.**

**State of Massachusetts:** The installation must be made by a licensed plumber or gas fitter in the Commonwealth of Massachusetts.

**This appliance may be installed in an aftermarket,\* permanently located, manufactured (mobile) home, where not prohibited by local codes.**

**This appliance is only for use with the type of gas indicated on the rating plate. This appliance is not convertible for use with other gases, unless a certified kit is used.**

**⚠ WARNING:** This product contains and/or generates chemicals known to the State of California to cause cancer or birth defects or other reproductive harm.

**IMPORTANT:** Check local codes before installing this fireplace.

**IMPORTANT:** Read this owner's manual carefully and completely before trying to assemble, operate or service this fireplace. Improper use of this fireplace can cause serious injury or death from burns, fire, explosion, electrical shock and carbon monoxide poisoning.

\* Aftermarket: Completion of sale, not for purpose of resale, from the manufacturer

## SAFETY

### Continued

**⚠ DANGER: Carbon monoxide poisoning may lead to death!**

Before beginning the installation of fireplace, read these instructions through completely.

- This FMI PRODUCTS, LLC fireplace and its components are safe when installed according to this installation manual. Unless you use FMI PRODUCTS, LLC components, which have been designed and tested for the fireplace system, you may cause a fire hazard.
- The FMI PRODUCTS, LLC warranty will be voided by and FMI PRODUCTS, LLC disclaims any responsibility for the following actions:
  - a. Modification of the fireplace, components, doors, air inlet system and damper control.
  - b. Use of any component part not manufactured or approved by FMI PRODUCTS, LLC in combination with a FMI PRODUCTS, LLC fireplace system.
  - c. Installation and/or operation in a manner other than instructed in this manual.
  - d) Burning of anything other than the type of gas approved for use in this gas appliance.

This appliance, when installed, must be electrically grounded in accordance with local codes, or in the absence of local codes, with the *National Electrical Code, ANSI/NFPA 70*.

The installation must conform to local codes, or in the absence of local codes, with the *National Fuel Gas Code ANSI Z223.1*. This appliance complies with ANSI Z21.88.

Proper installation is the most important step in ensuring safe and continuous operation of the fireplace. Consult the local building codes as to the particular requirements concerned with the installation of all factory built fireplaces.

This fireplace must be installed by a qualified (certified or licensed) service person. It has a sealed gas combustion chamber that uses a millivolt gas control valve with a millivolt ignition system.

Models (V)DVF36TPNA/TPNPA series are three-sided direct-vent gas fireplaces and models (V)DVF36TSTA/TSTPA are two-sided direct-vent gas fireplace heaters with sealed combustion chambers.

Models (V)DVF36TPNEA/TPNPEA and (V)DVF36STEA/TSTPEA use a direct spark ignition with a 24 VAC control module. All models have HI/LO valve that controls the flame height. These units can be equipped with louvers for circulating or with panels for noncirculating operation.

Fan Kit model DVFFBK are available for these units as an option. If you are uncertain as to what gas your unit is equipped for, please check the rating plate located in the interior of the appliance opening or consult your local FMI PRODUCTS, LLC distributor.

**Carbon Monoxide Poisoning:** Early signs of carbon monoxide poisoning resemble the flu, with headaches, dizziness or nausea. If you have these signs, the fireplace may not be working properly. Get fresh air at once! Have fireplace serviced. Some people are more affected by carbon monoxide than others. These include pregnant women, people with heart or lung disease or anemia, those under the influence of alcohol and those at high altitudes.

**Natural and Propane/LP Gas:** Natural and propane/LP gas are odorless. An odor-making agent is added to the gas. The odor helps you detect a gas leak. However, the odor added to the gas can fade. Gas may be present even though no odor exists.

Make certain you read and understand all warnings. Keep this manual for reference. It is your guide to safe and proper operation of this fireplace.

**⚠ WARNING: Any change to this fireplace or it's controls can be dangerous. Do not modify this fireplace under any circumstances. Any parts removed for servicing must be replaced prior to operating fireplace.**

## SAFETY

*Continued*

**⚠ WARNING:** Do not use a blower insert, heat exchanger insert or other accessory not approved for use with this fireplace.

**⚠ WARNING:** This appliance is only for use with the type of gas indicated on the rating plate. This appliance is not convertible for use with other gases unless a certified kit is used.

**⚠ WARNING:** Do not allow fans to blow directly into the fireplace. Avoid any drafts that alter burner flame patterns.

Due to high temperatures, the appliance should be located out of traffic and away from furniture and draperies.

Do not place clothing or other flammable material on or near the appliance. Never place any objects on the appliance.

Do not use this fireplace to cook food or burn paper or other flammable material.

This fireplace reaches high temperatures. Keep children and adults away from hot surface to avoid burns or clothing ignition. Fireplace will remain hot for a time after shutdown. Allow surface to cool before touching.

Carefully supervise young children when they are in the room with fireplace.

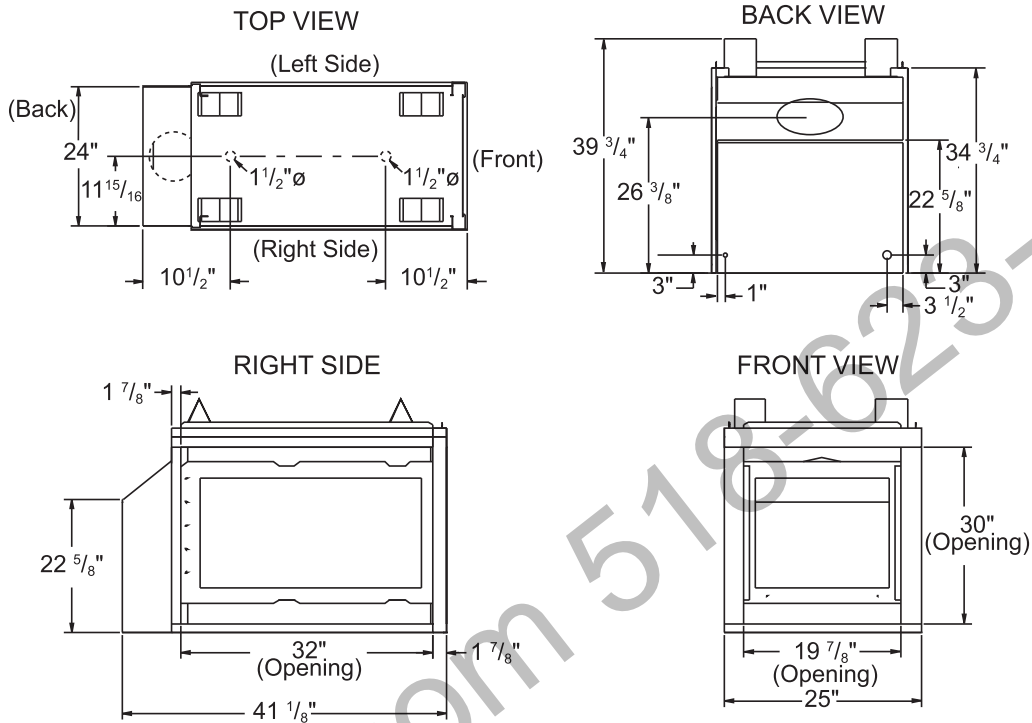
**Keep area around your fireplace clear of combustible materials, gasoline and other flammable vapor or liquids. Do not run fireplace where these are used or stored.**

1. For propane/LP fireplace, do not place propane/LP supply tank(s) inside any structure. Locate propane/LP supply tank(s) outdoors. To prevent performance problems, do not use propane/LP fuel tank of less than 100 lbs. capacity.
2. If you smell gas
  - shut off gas supply
  - do not try to light any appliance
  - do not touch any electrical switch; do not use any phone in your building
  - immediately call your gas supplier from a neighbor's phone. Follow the gas supplier's instructions
  - if you cannot reach your gas supplier, call the fire department
3. Never install the fireplace
  - in a recreational vehicle
  - in windy or drafty areas where curtains or other combustible (flammable) objects can make contact with the fireplace front
  - in high traffic areas
4. Turn fireplace off and let cool before servicing, installing or repairing. Only a qualified service person should install, service or repair this fireplace. Have fireplace inspected annually by a qualified service person.
5. You must keep control compartments, burners and circulating air passages clean. More frequent cleaning may be needed due to excessive lint and dust from carpeting, bedding material, etc. Turn off the gas valve and pilot light before cleaning fireplace.
6. Have venting system inspected annually by a qualified service person. If needed, have venting system cleaned or repaired.
7. Do not use any solid fuels (wood, coal, paper, cardboard, etc.) in this fireplace. Use only the gas type indicated on fireplace nameplate.
8. Do not use fireplace if any part has been exposed to or under water. Immediately call a qualified service person to arrange for replacement of the unit.
9. Do not operate fireplace if any log is broken.

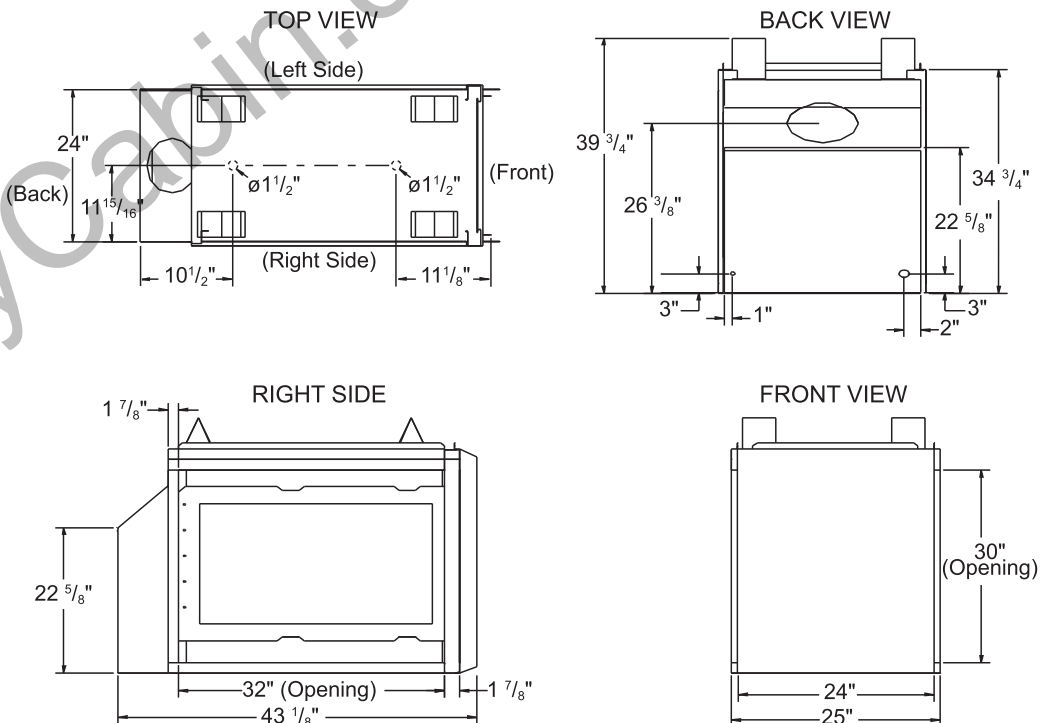
## SAFETY *Continued*

10. Do not operate fireplace with glass door removed, cracked or broken.
11. Provide adequate clearances around air openings.
12. Fireplaces with the suffix of -HA have been designed to operate at altitudes of 4000 feet and above. For horizontal installations above 2,000 feet, it is recommended that a 12" extension pipe be added before starter elbow (see *High Altitude Installation*, page 20).

## DIMENSIONS



**Figure 1 - Peninsula Dimensions**



**Figure 2 - See-Thru Dimensions**

## PRE-INSTALLATION PREPARATION

### LOCATION AND SPACE REQUIREMENTS

Determine the safest and most efficient location for your FMI PRODUCTS, LLC direct-vent fireplace. Make sure that rafters and wall studs are not in the way of the venting system. Choose a location where heat output is not affected by drafts, air conditioning ducts, windows or doors. Be aware of all restrictions and precautions before deciding the exact location for your fireplace and termination cap.

When deciding the location of your fireplace, follow these rules:

- A projection may be ideal for a new addition on an existing finished wall. Refer to horizontal termination configurations on page 15 or vertical configurations on page 18.
- Do not connect fireplace venting to a chimney flue serving a separate solid-fuel burning fireplace or appliance.
- Due to high temperatures, do not locate fireplace in high traffic areas, windy or drafty areas or near furniture or draperies.
- Never obstruct front opening of appliance or flow of combustion and ventilation air. Keep control compartments accessible.
- Do not locate close to where gasoline or other flammable liquids may be stored. Appliance must be kept clear and free from combustible materials.

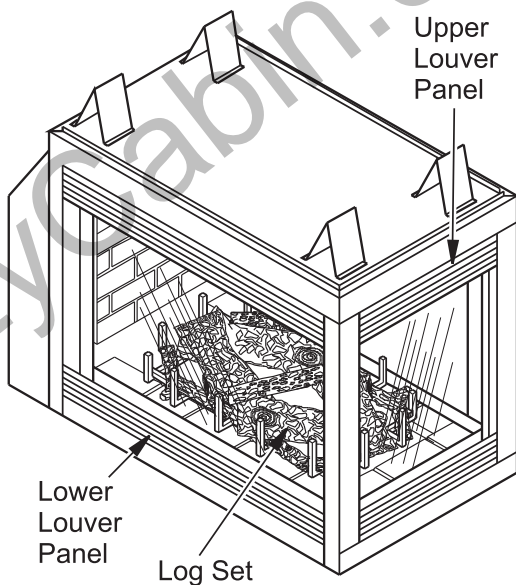


Figure 3 - Direct-Vent Fireplace

### CLEARANCES

Minimum clearances to combustibles for fireplace are as follows:

*Back and sides of surround	0"
Vent Surfaces (side and bottom)	1"
Top Vent Surface (horizontal run)	2"
Ceiling to Opening	36"
Floor	0"
Wall to Front of Glass	36"
Perpendicular Wall to Opening of Unit	2"
Top Spacer	0"

**NOTICE: This fireplace is intended for use as supplemental heat. Use this fireplace along with your primary heating system. Do not install this fireplace as your primary heat source. If you have a central heating system, you may run system's circulating blower while using fireplace. This will help circulate the heat throughout the house. In the event of a power outage, you can use this fireplace as a heat source.**

### MANTEL CLEARANCES

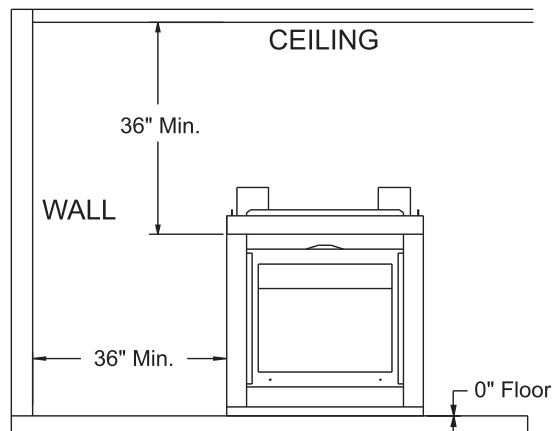
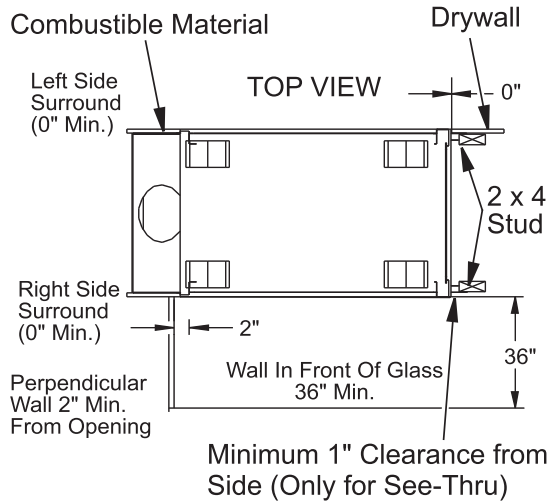


Figure 4 - Minimum Clearances (Peninsula Shown)

# PRE-INSTALLATION PREPARATION

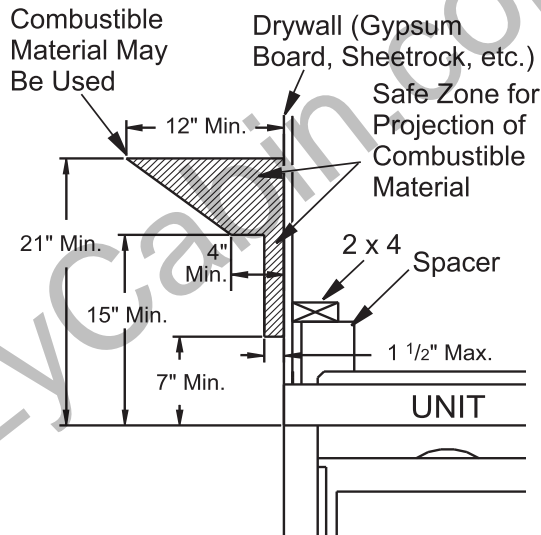
Continued



**Figure 5 - Minimum Clearances (See-Thru Shown)**

Woodwork, such as wood trims, mantels and other combustible materials should not be placed within 7" of the opening of fireplace (see Figure 6).

Combustible material above projecting more than 1 1/2" from appliance's front face must not be placed less than 15" from opening of appliance, (ref. *NFPA Standard 211 Sec. 7-3.3.3*)

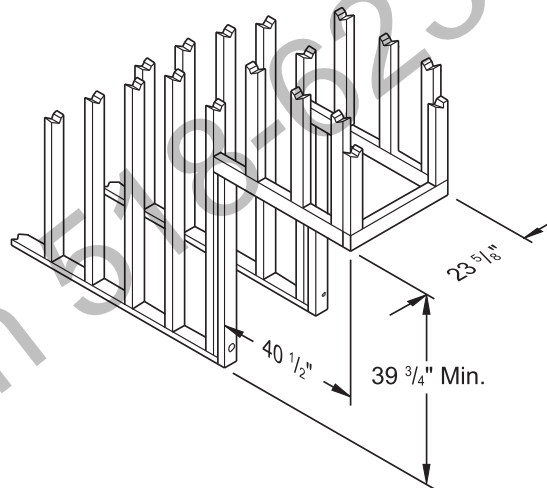


**Figure 6 - Mantel Clearances for Peninsula and See-Thru Fireplaces (Peninsula Shown)**

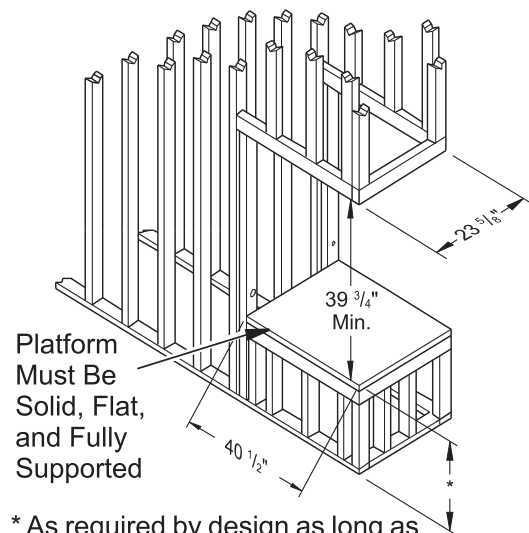
## FRAMING

Once final location has been determined, observing clearances for vent termination, you may construct framing using dimensions shown in Figures 7 thru 13 depending on your particular installation

If appliance is to be installed directly on carpeting, tile (other than ceramic), or any combustible material other than wood flooring, the appliance must be installed upon a metal or wood panel extending the full width and depth of the appliance. There are three holes on each side of the bottom of unit where screws can be used to secure unit to floor.



**Figure 7 - Rough Opening for Installing Peninsula Fireplace**



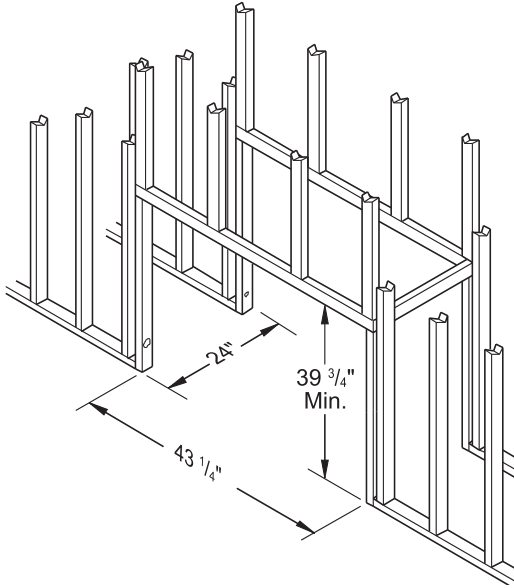
\* As required by design as long as ceiling clearance is maintained.

**Figure 8 - Rough Opening for Installing Peninsula Fireplace on Platform**

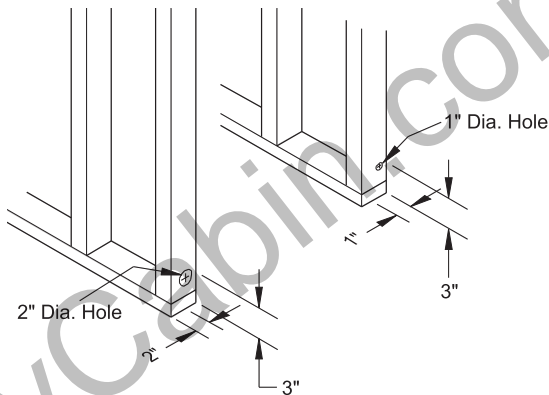
# PRE-INSTALLATION PREPARATION

*Continued*

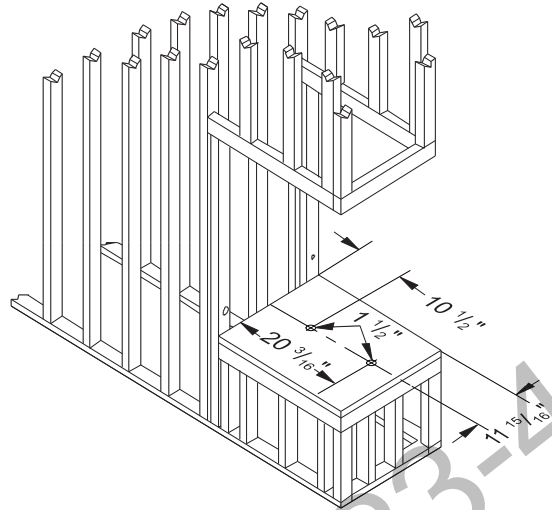
The gas supply line may be connected through side framing or alternately through lower sub-flooring or a platform base if provided (see Figures 10 and 11). Depending on installation, refer to appropriate illustrations.



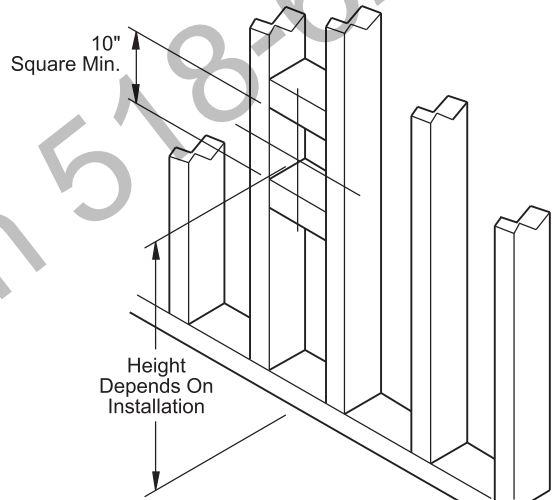
**Figure 9 - Rough Opening for Installing See-Thru Fireplace**



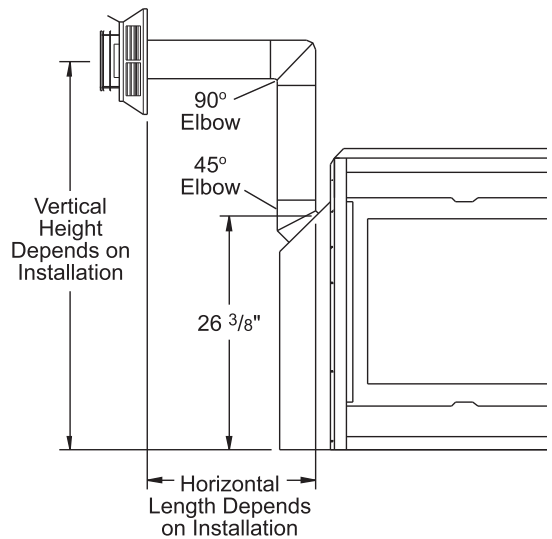
**Figure 10 - Hole Locations For Gas Line and Electric Wires for Peninsula and See-Thru Fireplaces**



**Figure 11 - Alternate Gas Supply Location**



**Figure 12 - Rough Opening for Installing Exterior Vent Terminal**



**Figure 13 - Vent Opening Height**



## GENERAL VENTING

These models are approved for use with FMI PRODUCTS, LLC 5"-8" Series, rigid type direct vent pipe as supplied by FMI PRODUCTS, LLC or with approved types of flexible vent pipe (not supplied) when appropriate sized for an 8" outer and 5" inner diameter application.

Your fireplace is approved to be vented either through the side wall, or vertically using the following guidelines:

- Only use FMI PRODUCTS, LLC supplied or approved types of venting components or kits. Do not mix different types of vent components, modify vent components or custom fabricate vent components for use in any one installation.
- Minimum clearance between vent pipes and combustible materials is 1", except where stated otherwise.
- Combustible material may be flush with the top front of fireplace with a maximum thickness of 3/4".
- Do not recess venting terminals into a wall or siding.
- Do not install vent terminals below grade level. Maintain a minimum height of 12" above snow line.
- Do not terminate venting system into an attic or garage.
- If using a venting configuration of only horizontal venting with no vertical run, a 1/4" rise for every 12" of run toward the

termination is required.

- There must not be any obstruction such as bushes, garden sheds, fences, decks, or utility buildings within 24" from the front of the termination cap.
- Do not locate termination cap where excessive snow or ice build up may occur. Be sure to clear vent termination area after snow falls to prevent accidental blockage of venting system. When using snow blowers, do not direct snow towards vent termination area.

### VENT TERMINATION CLEARANCES

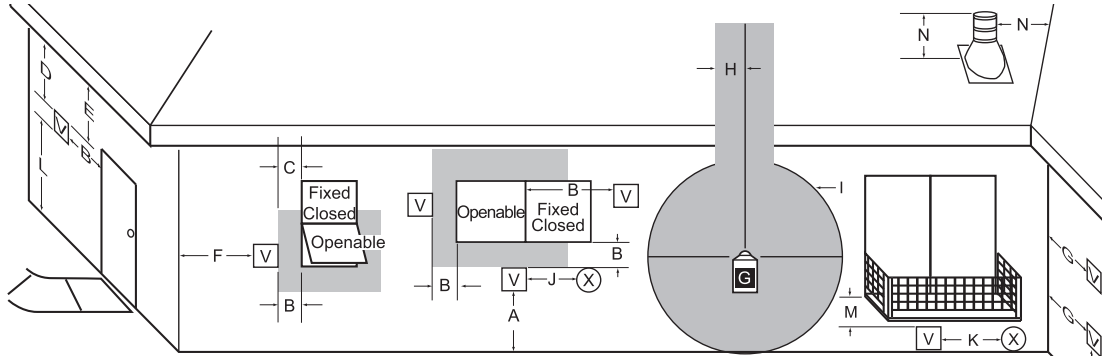
The final position of your appliance depends on the location of the vent termination in relation to the clearances that must be observed as shown in Figure 14, page 10.

You may avoid extra framing by positioning your fireplace against an already existing framing member. The back of the fireplace may be positioned directly against a combustible wall.

\*Check with local codes. In the USA, follow the current *National Fuel Gas Code*, ANS Z223.1 also known as *NFPA 54*.

# GENERAL VENTING

Continued



V TERMINATION CAP   
 X AIR SUPPLY INLET   
 G GAS METER   
   RESTRICTED AREA (TERMINATION PROHIBITED)

- A = clearance above grade, veranda, porch, deck, or balcony [\*12" (30.5 cm) minimum]
- B = clearance to window or door that may be opened [6" (15 cm) min. for 10,000 Btu or less; 9" (23 cm) in US if between 10,000 and 50,000, 12" (30 cm) in Canada if between 10,000 and 100,000; 12" (30 cm) in US if greater than 50,000, 36" (91 cm) in Canada if greater than 100,000]
- C = clearance to permanently closed window [minimum 12" (30.5 cm) recommended to prevent condensation on window]
- D = vertical clearance to ventilated soffit located above the terminal within a horizontal distance of 24" (61 cm) from the center-line of the terminal [18" (45.7 cm) minimum]
- E = clearance to unventilated soffit [12" (30.5 cm) minimum]
- F = clearance to outside corner (see below)
- G = clearance to inside corner (see below)
- H = \*not to be installed above a meter/regulator assembly within 36" (91.4 cm) horizontally from the center line of the regulator
- I = clearance to service regulator vent outlet [\*72" (182.9 cm) minimum]
- J = clearance to non-mechanical air supply inlet to building or the combustion air inlet to any other fireplace [6" (15 cm) min. for 10,000 Btu or less; 9" (23 cm) in US if between 10,000 and 50,000, 12" (30 cm) in Canada if between 10,000 and 100,000; 12" (30 cm) in US if greater than 50,000, 36" (91 cm) in Canada if greater than 100,000]
- K = clearance to a mechanical air supply inlet [\*In Canada, 6 ft. (1.83m) minimum; In US 3 ft. (91 cm) above if within 10 ft. (3 m) horizontally]
- L = † clearance above paved side-walk or a paved driveway located on public property [\*84" (213.3 cm) minimum]
- M = clearance under veranda, porch, deck [\*12" (30.5 cm) minimum ‡]
- N = clearance above a roof shall extend a minimum of 24" (61 cm) above the highest point when it passes through the roof surface and any other obstruction within a horizontal distance of 18" (45.7 cm)

† vent shall not terminate directly above a side-walk or paved driveway which is located between two single family dwellings and serves both dwellings\*

‡ only permitted if veranda, porch, deck or balcony is fully open on a minimum of 2 sides beneath the floor\*

\* as specified in CAN/CSA B149 (.1 or .2) Installation Codes (1991) for Canada and U.S.A.

Note: Local codes or regulations may require different clearances

## Termination Clearances for Buildings with Combustible and Noncombustible Exteriors

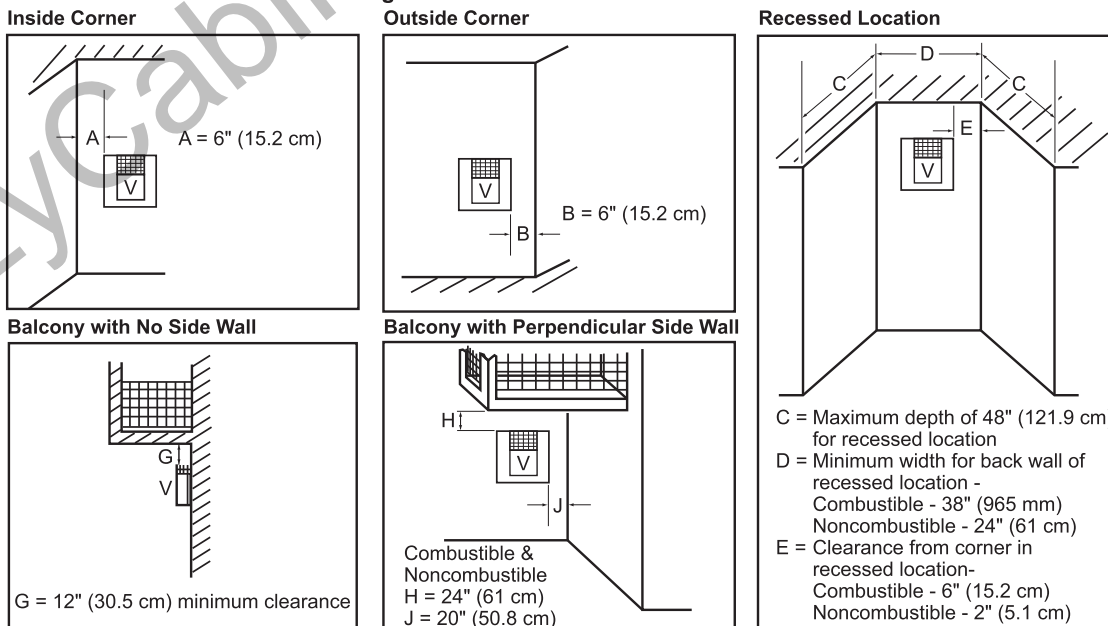


Figure 14 - Minimum Clearances for Vent Terminations

# REQUIREMENTS FOR THE COMMONWEALTH OF MASSACHUSETTS

For all side wall horizontally vented gas fueled equipment installed in every dwelling, building or structure used in whole or in part for residential purposes, including those owned or operated by the Commonwealth and where the side wall exhaust vent termination is less than seven (7) feet above finished grade in the area of the venting, including but not limited to decks and porches, the following requirements shall be satisfied:

## INSTALLATION OF CARBON MONOXIDE DETECTORS

At the time of installation of the side wall horizontal vented gas fueled equipment, the installing plumber or gasfitter shall observe that a hard wired carbon monoxide detector with an alarm and battery backup is installed on the floor level where the gas equipment is to be installed. In addition, the installing plumber or gasfitter shall observe that a battery operated or hard wired carbon monoxide detector with an alarm is installed on each additional level of the dwelling, building or structure served by the side wall horizontal vented gas fueled equipment. It shall be the responsibility of the property owner to secure the services of qualified licensed professionals for the installation of hard wired carbon monoxide detectors.

In the event that the side wall horizontally vented gas fueled equipment is installed in a crawl space or an attic, the hard wired carbon monoxide detector with alarm and battery back-up may be installed on the next adjacent floor level.

In the event that the requirements of this subdivision can not be met at the time of completion of installation, the owner shall have a period of thirty (30) days to comply with the above requirements; provided, however, that during said thirty (30) day period, a battery operated carbon monoxide detector with an alarm shall be installed.

### Approved Carbon Monoxide Detectors

Each carbon monoxide detector as required in accordance with the above provisions shall comply with NFPA 720 and be ANSI/UL 2034 listed and IAS certified.

## SIGNAGE

A metal or plastic identification plate shall be permanently mounted to the exterior of the building at a minimum height of eight (8) feet above grade directly in line with the exhaust vent terminal for the horizontally vented gas fueled heating appliance or equipment. The sign shall read, in print size no less than 1/2" in size, "GAS VENT DIRECTLY BELOW. KEEP CLEAR OF ALL OBSTRUCTIONS".

## INSPECTION

The state or local gas inspector of the side wall horizontally vented gas fueled equipment shall not approve the installation unless, upon inspection, the inspector observes carbon monoxide detectors and signage installed in accordance with the provisions of 248 CMR 5.08(2)(a) 1 through 4.

EXEMPTIONS: The following equipment is exempt from 248 CMR 5.08(2)(a) 1 through 4:

- The equipment listed in Chapter 10 entitled "Equipment Not Required To Be Vented" in the most current edition of NFPA 54 as adopted by the Board; and
- Product Approved side wall horizontally vented gas fueled equipment installed in a room or structure separate from the dwelling, building or structure used in whole or in part for residential purposes.

## MANUFACTURER REQUIREMENTS

### Gas Equipment Venting System Provided

When the manufacturer of Product Approved side wall horizontally vented gas equipment provides a venting system design or venting system components with the equipment, the instructions provided by the manufacturer for installation of the equipment and the venting system shall include:

- Detailed instructions for the installation of the venting system design or the venting system components; and
- A complete parts list for the venting system design or venting system.

### Gas Equipment Venting System Not Provided

When the manufacturer of a Product Approved side wall horizontally vented gas fueled equipment does not provide the parts for venting the flue gases, but identifies "special venting systems", the following requirements shall be satisfied by the manufacturer:

- The referenced "special venting system" instructions shall be included with the appliance or equipment installation instructions; and
- The "special venting systems" shall be Product Approved by the Board, and the instructions for that system shall include a parts list and detailed installation instructions.

A copy of all installation instructions for all Product Approved side wall horizontally vented gas fueled equipment, all venting instructions, all parts lists for venting instructions, and/or all venting design instructions shall remain with the appliance or equipment at the completion of the installation.

## VENTING INSTALLATION

**⚠ WARNING:** Read all instructions completely and thoroughly before attempting installation. Failure to do so could result in serious injury, property damage or loss of life.

**NOTICE:** Failure to follow these instructions will void the warranty.

**NOTICE:** Do not seal termination cap to vent pipe. Cap must be removable for vent inspection and maintenance.

### INSTALLATION PRECAUTIONS

Consult local building codes before beginning installation. The installer must make sure to select the proper vent system for installation. Before installing vent kit, the installer must read this fireplace manual and vent kit instructions.

Only a qualified service person should install venting system. The installer must follow these safety rules:

- Wear gloves and safety glasses for protection
- Use extreme caution when using ladders or when on roof tops
- Be aware of electrical wiring locations in walls and ceilings

The following actions will void the warranty on your venting system:

- Installation of any damaged venting component
- Unauthorized modification of the venting system
- Installation of any component part not manufactured or approved by FMI PRODUCTS, LLC
- Installation other than as instructed by these instructions

**⚠ WARNING:** This gas fireplace and vent assembly must be vented directly to the outside. The venting system must NEVER be attached to a chimney serving a separate solid fuel burning appliance. Each gas appliance must use a separate vent system. Do not use common vent systems.

**⚠ WARNING:** Horizontal sections of this vent system require a minimum clearance of 2" from the top of the pipe and 1" minimum to the sides and bottom. Vertical sections of this system require a minimum of 1" clearance to combustible materials on all sides of the pipe.

### INSTALLATION PLANNING

There are two basic types of direct-vent installation:

- Horizontal Termination
- Vertical Termination

It is important to select the proper length of vent pipe for the type of termination you choose. It is also important to note the wall thickness.

**For Horizontal Termination:** Select the amount of vertical rise desired. The horizontal run of venting must have 1/4" rise for every 12" of run towards the termination.

**⚠ WARNING:** Never run the vent downward as this may cause excessive temperatures which could cause a fire.

You may use one or two 90° elbows in this vent configuration. See *Horizontal Termination Configurations* on page 15.

**For Vertical Termination:** Measure distance from fireplace flue outlet to ceiling. Add ceiling thickness, vertical rise in an attic or second story, and allow for sufficient vent height above roof line. You may use one or two 90° elbows in this vent configuration. See *Vertical Termination Configurations* on page 16.

*Note: You may use two 45° elbows in place of a 90° elbow. You must follow rise to run ratios when using 45° elbows.*

For two-story applications, firestops are required at each floor level. If an offset is needed in the attic, additional pipe and elbows will be required.

You may use a chase with a vent termination with exposed pipe on exterior of house. See *Installing Vent System in a Chase*, page 13.

Your FMI PRODUCTS, LLC direct-vent fireplace has been tested for a minimum 3' rise with a maximum 11" wall thickness. Any horizontal application longer than 12" must

## VENTING INSTALLATION

### Continued

provide a minimum of 1 foot of vertical rise for every 3 feet of horizontal run. The maximum horizontal run is 20' with 8' vertical rise (see [Installation for Horizontal Termination](#)). The maximum vertical run is 30' (see [Installation for Vertical Termination](#), page 16).

#### Installing Vent System in a Chase

A chase is a vertical box-like structure built to enclose venting that runs along the outside of a building.

**NOTICE: Treatment of firestops and construction of the chase may vary from building type to building type. These instructions are not substitutes for the requirements of local building codes. You must follow all local building codes.**

*Note: When installing in a chase, you should insulate the chase as you would the outside walls of your home. This is especially important in cold climates. Minimum clearance between vent pipes and combustible materials such as insulation is 1".*

After framing chase (see [Framing](#) on page 7) install vent system by following installation instructions.

#### INSTALLATION FOR HORIZONTAL TERMINATION

1. Determine the route your horizontal venting will take. *Note: The location of horizontal vent termination on exterior wall must meet all local and national building codes and must not be blocked or obstructed.*

**⚠ WARNING: Do not recess vent terminal into a wall or siding. This is a fire hazard.**

Snorkel terminations are available for terminations requiring a vertical rise on the exterior of building (see Figures 15 and 16). Snorkel kits are available for rigid pipe applications only to provide a 14" rise and a 36" rise (see page 19). Follow the same installation procedures used for standard horizontal terminations. If installing snorkel termination to raise vent termination from below grade level such as in a basement installation, you must provide proper drainage to prevent water from entering snorkel termination (see Figure 16). Do not back fill around snorkel termination.

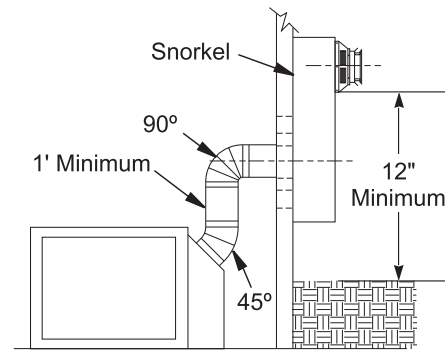


Figure 15 - Snorkel Termination

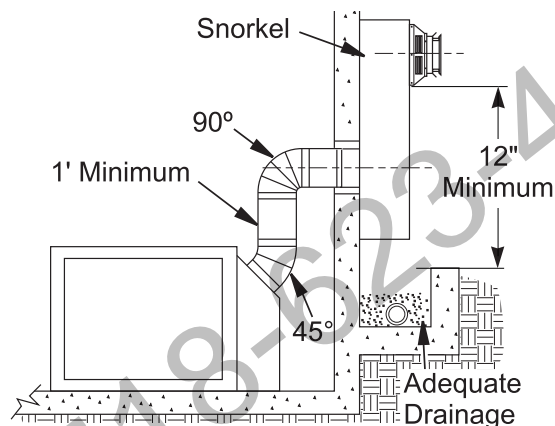


Figure 16 - Snorkel Termination with Drainage Pipe

2. Rigid vent pipes and fittings have special twist-lock connections. Assemble desired combination of pipe and elbows to appliance adaptor with pipe seams oriented towards wall or floor.

**Twist-lock Procedure:** Female ends of pipes and fittings have four locking lugs (indentations). These lugs will slide straight into matching slots on male ends of adjacent pipes and fittings. Push pipe sections together and twist one section clockwise approximately one-quarter turn until sections are fully locked. See Figure 17. *Note: Horizontal runs of vent must be supported every three feet. Use wall straps for this purpose.*

3. Attach vent pipe assembly to fireplace using twist lock connections for rigid pipe or clamp method for flex pipe. Set fireplace in front of its permanent location to insure minimum clearances. Mark wall for a 10 3/4" square hole (for noncombustible material such as masonry block or concrete, a 8 1/2" diameter hole is acceptable). See Figure 18. The center of hole should line up with center line of rigid vent pipe. Cut a 10 3/4" x 10 3/4" square hole through combustible exterior wall (8 1/2" diameter hole if noncombustible). Frame as necessary.

# VENTING INSTALLATION

Continued

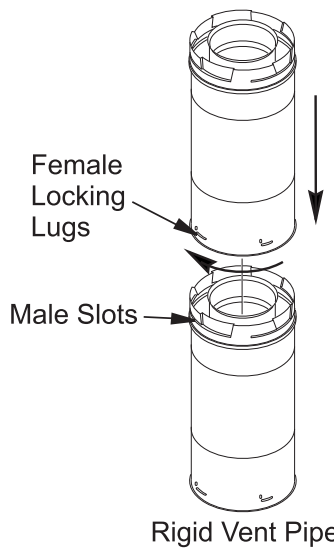


Figure 17 - Vent Pipe Connections

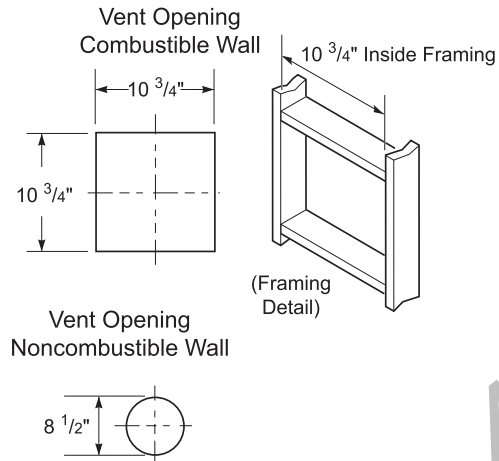


Figure 18 - Vent Opening Requirements

4. Three types of vent caps are available for horizontal terminations. Two square terminals are available; one for rigid pipe applications and one for flex pipe applications. A round vent termination with a slip fit connection is also provided for rigid pipe applications to be used when a wall thickness or off spacing must be accommodated. Each may be purchased as a kit that includes a 45° elbow and a firestop that accommodates a square or round termination (see [Parts List for Venting Kits and Components](#), page 20).

**Noncombustible Exterior Wall:** Apply a bead of non-hardening mastic around outside edge of vent cap. Position vent cap in center of the 8 1/2" hole on the exterior wall with arrow on vent cap pointing up. Attach vent cap with four wood screws provided (see Figure 19). *Note: Replace wood screws with appropriate fasteners for stucco, brick, concrete, or other types of siding.*

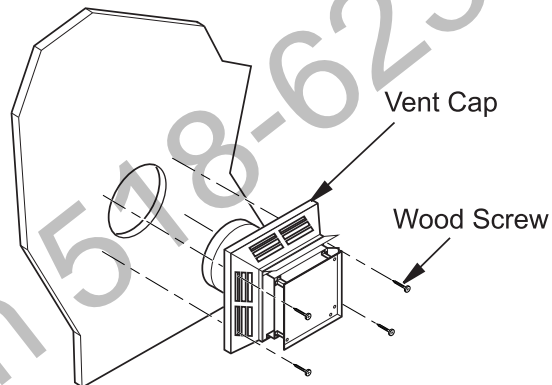


Figure 19 - Installing Horizontal Vent Cap (Noncombustible Exterior)

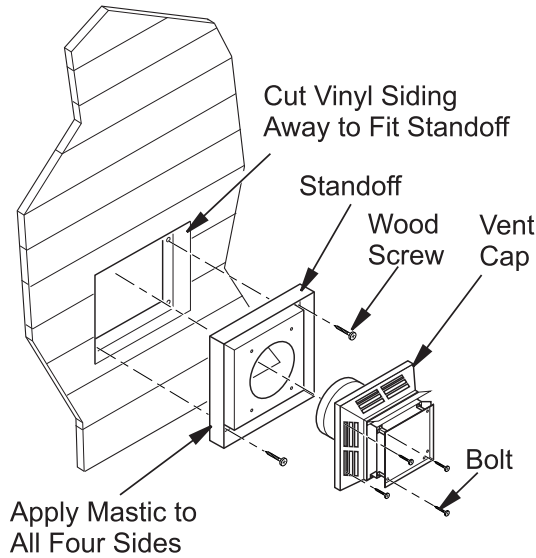
**WARNING:** Do not recess vent termination in to any wall. This will cause a fire hazard.

**Combustible Exterior Wall:** For vinyl siding, stucco, or wood exteriors, a siding standoff must be installed between vent cap and exterior wall. Siding standoff prevents excessive heat from damaging siding materials. Siding materials must be cut to accommodate standoff. Bolt vent cap to standoff. Apply non-hardening mastic around outside edge of standoff. Position standoff/cap assembly in the center of square hole and attach to exterior wall with wood screws provided (see Figure 20, page 15). Siding standoff must sit flush against exterior fascia material.

5. **Connecting Vent Cap with Horizontal Vent Pipe:** Slide wall firestop over vent pipe before connecting horizontal run to vent cap (see Figure 21, page 15).

# VENTING INSTALLATION

*Continued*

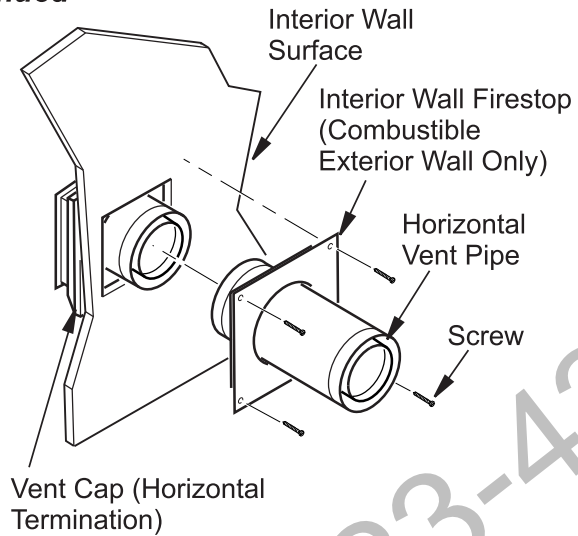


**Figure 20 - Installing Vinyl Siding Standoff (Combustible Exterior Wall)**

6. Make final connection to vent terminal. **Flush or recessed with short vent system:** Vent system may be pre-sized. Check for final fit and slide unit into framing with firestop in place. This is helpful when using rigid pipe and round vent termination. Vent may be preconnected and slipped through firestop. Make sure 45° connection at unit is tight and does not come loose before unit is nailed to framing.

**Square vent or long vent configuration:** Vent pipe must be manipulated at outer end to make final connection. Manually secure pipe inside open framing. If this is a retrofit installation in an inaccessible space, you may have to secure outer end of vent pipe with wall straps and tap screws at outer end.

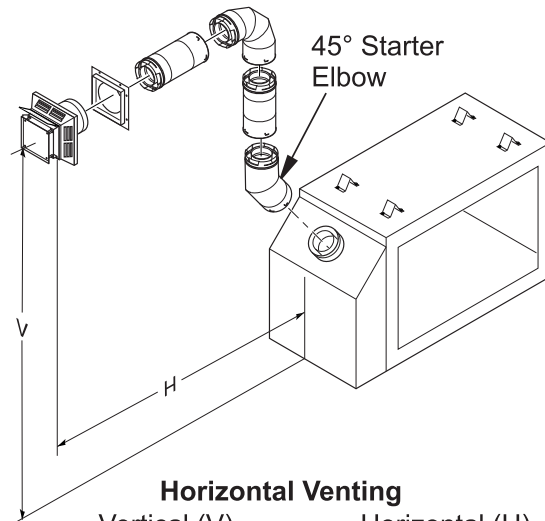
When using tap screws with rigid pipe, be sure that screws do not penetrate inner pipe. These procedures may also be followed by flexible pipe installations. To use flexible pipe, vent must be drawn through end firestop, cut back to 6"-8" to permit easy connection of flex termination and connection must be slipped back into and secured to installation. You must use an adequate number of spring spacers at ends and closest bend to termination to prevent kinks or collapsing on the fire. Do not use screws with flex pipe. Vent system must be code inspected and released before adding dry wall or other surface treatments.



**Figure 21 - Connecting Vent Cap with Horizontal Vent Pipe**

## Horizontal Termination Configurations

Figures 22 and 23 show different configurations for venting with horizontal termination. Each figure includes a chart with vertical minimum/maximum and horizontal maximum dimensions which must be met. All horizontal terminations require 1/4" rise per 12" of horizontal run. You must add 1/4" of vertical height (V) in the following tables for each foot of horizontal run (H).

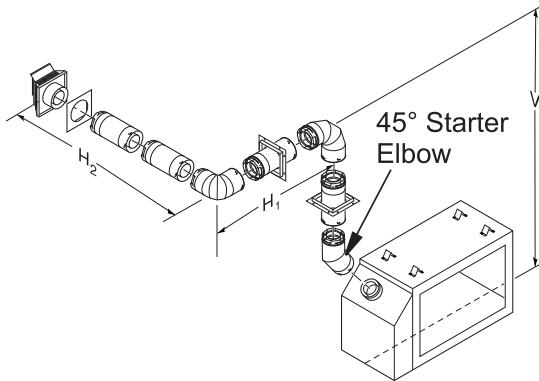


Vertical (V)	Horizontal (H)
49.5" min.	17" max.
(45° elbow, 1' vertical pipe, 90° elbow)	
60" min.	77" max.
72" min.	101" max.
84" min.	125" max.
132" min.	149" max.

**Figure 22 - Horizontal Termination Configuration for Rigid Venting Using One 90° Elbow**

# VENTING INSTALLATION

Continued



## Venting with Two 90° Elbows

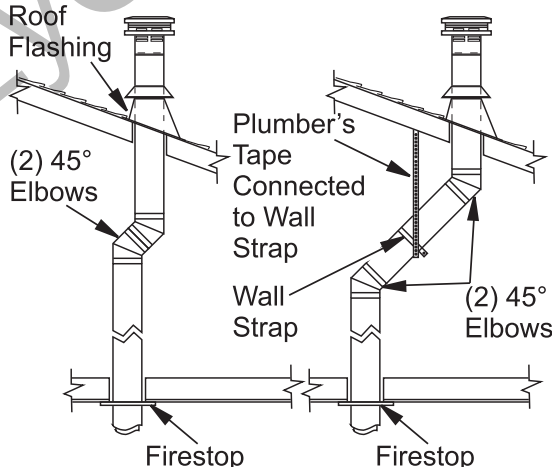
Vertical (V)	Horizontal (H1) + Horizontal (H2)
5' min.	4' max.
6' min.	8' max.
7' min.	10' max.
8' min.	15' max.
20' max.	20' max.

**Figure 23 - Horizontal Termination Configuration for Rigid Venting Using Two 90° Elbows with Termination at 90° with Fireplace**

## INSTALLATION FOR VERTICAL TERMINATION

**NOTICE: Use rigid pipe only. Flex venting is not to be used with a vertical termination.**

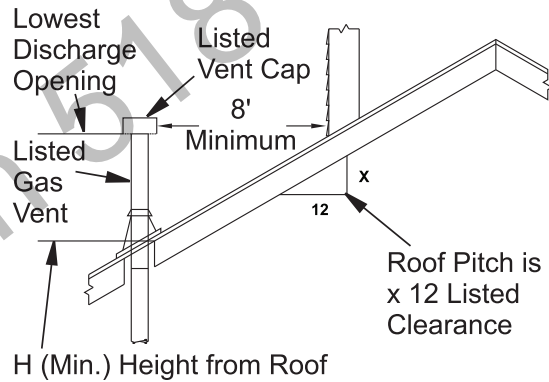
1. Determine route your vertical venting will take. If ceiling joists, roof rafters, or other framing will obstruct venting system, consider an offset (see Figure 24) to avoid cutting load bearing members.



**Figure 24 - Vertical Cent Pipe Offsets**

Note: Pay special attention to these installation instructions for required clearances (air space) to combustibles when passing through ceilings, walls, roofs, enclosures, attic rafters, etc. Do not pack air spaces with insulation. Also note maximum vertical rise of venting system and any maximum horizontal offset limitations. Offsets must fall within parameters shown in Figure 25.

2. Set fireplace in desired location. Drop a plumb line down from ceiling to position of fireplace exit flue. Mark center point where vent will penetrate ceiling. Drill a small locating hole at this point. Drop a plumb line from inside of roof to locating hole in ceiling. Mark center point where vent will penetrate roof. Drill a small locating hole at this point.



ROOF PITCH	H (Min.)
Flat to 6/12	1.0'
6/12 to 7/12	1.25'
Over 7/12 to 8/12	1.5'
Over 8/12 to 9/12	2.0'
Over 9/12 to 10/12	2.5'
Over 10/12 to 11/12	3.25'
Over 11/12 to 12/12	4.0'
Over 12/12 to 14/12	5.0'
Over 14/12 to 16/12	6.0'
Over 16/12 to 18/12	7.0'
Over 18/12 to 20/12	7.5'
Over 20/12 to 21/12	8.0'

**Figure 25 - Vertical Vent Termination Clearance**



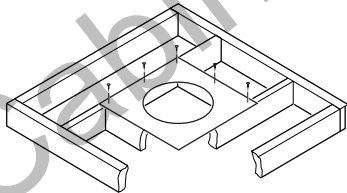
# VENTING INSTALLATION

## Continued

### Flat Ceiling Installation

1. Cut a 12 1/2" square hole in the ceiling using locating hole as a center point. Opening should be framed to 12 1/2" x 12 1/2" inside dimensions, as shown in Figure 18 on page 13, using framing lumber the same size as ceiling joists. If area above ceiling is an insulated ceiling or an attic, nail firestop from top side. This prevents loose insulation from falling into required clearance space. If area above ceiling is a living space, install firestop below framed hole. The firestop should be installed with no less than three nails per side (see Figure 26).
2. Assemble desired lengths of pipe and elbows necessary to reach from fireplace flue up through firestop. Be sure all pipe and elbow connections are fully twist-locked (see Figure 17, page 14).
3. Cut a hole in roof using locating hole as a center point. (Cover any exposed open vent pipes before cutting hole in roof.) The 12 1/2" x 12 1/2" hole must be measured on the horizontal, actual length may be larger depending on pitch of roof. There must be a 1" clearance from vent pipe to combustible materials. Frame opening as shown in Figure 18 on page 14.

If area above is an attic, install firestop above framed hole.



If area above is a living space, install firestop below framed hole.

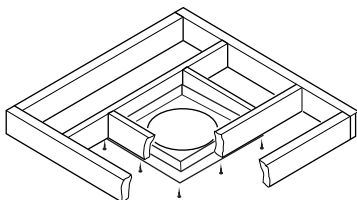


Figure 26 - Installing Firestop

4. Connect a section of pipe and extend up through hole. If an offset is needed to avoid obstructions, you must support vent pipe every 3 feet. Use wall straps for this purpose (see Figure 24, page 16). Whenever possible, use 45° elbows instead of 90° elbows. The 45° elbow offers less restriction to the flow of flue gases and intake air.
5. Place flashing over pipe section(s) extending through roof. Apply a bead of silicone or roof sealer to the bottom flange of flashing and secure base of flashing to roof and framing with roofing nails. Be sure roofing material overlaps top edge of flashing as shown in Figure 24, page 16. There must be a 1" clearance from vent pipe to combustible materials.
6. Continue to add pipe sections until the height of vent cap meets the minimum building code requirements described in Figure 14, page 10.

*Note: You must increase vent height for steep roof pitches. Nearby trees, adjoining rooflines, steep pitched roofs, and other similar factors may cause poor draft or down-draft condition (see Figure 24, page 16). Increasing vent height may solve this problem.*

7. Apply a bead of sealer to the upper edge of flashing collar. Slide storm collar over pipe and down to top edge of flashing. Apply a second bead of silicone or roof sealer around remaining seam of storm collar. Twist-lock vent cap onto last section of vent pipe. Finish sealing flange around roofing material with roofing sealer.

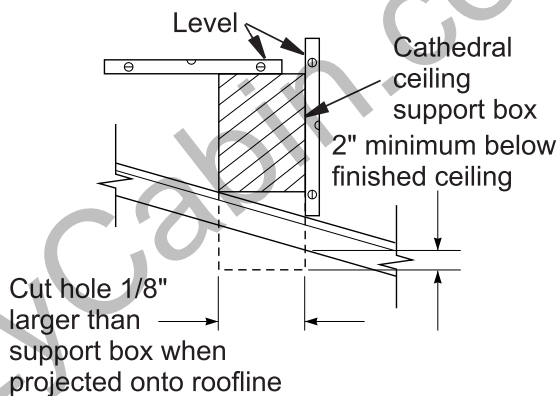
*Note: If vent pipe passes through any occupied areas above the first floor, including storage spaces and closets, you must enclose pipe. You may frame and sheetrock enclosure with standard construction material. Make sure and meet the minimum allowable clearances to combustibles. Do not fill any required air spaces with insulation.*

# VENTING INSTALLATION

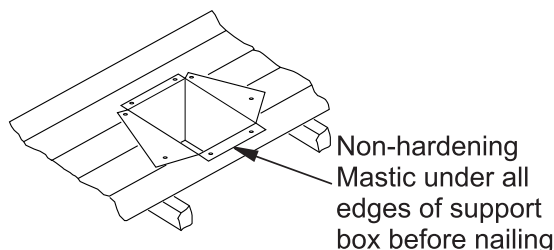
Continued

## Cathedral Ceiling Installation

1. Remove shingles or other roof covering as necessary to cut rectangular hole for support box. Mark outline of cathedral ceiling support box on roof sheathing using the locating hole as a center point.
2. Cut hole 1/8" larger than the support box outline (see Figure 27).
3. Lower support box through hole in roof until bottom of box extends at least 2" below ceiling (see Figure 27). Align support box vertically and horizontally using a level. Temporarily tack support box in place through inside walls and into roof sheathing.
4. Using tin snips, cut support box from top corners down to roofline and fold resulting flaps over roof sheathing (see Figure 28). Apply a bead of non-hardening mastic around top edges of support box to make a seal between box and roof. Nail in place with roofing nails. Remove any combustible material that might be inside of support box.
5. Complete cathedral ceiling installation by following the same procedures outlined in steps 2 through 7 for *Flat Ceiling Installation*, page 17.



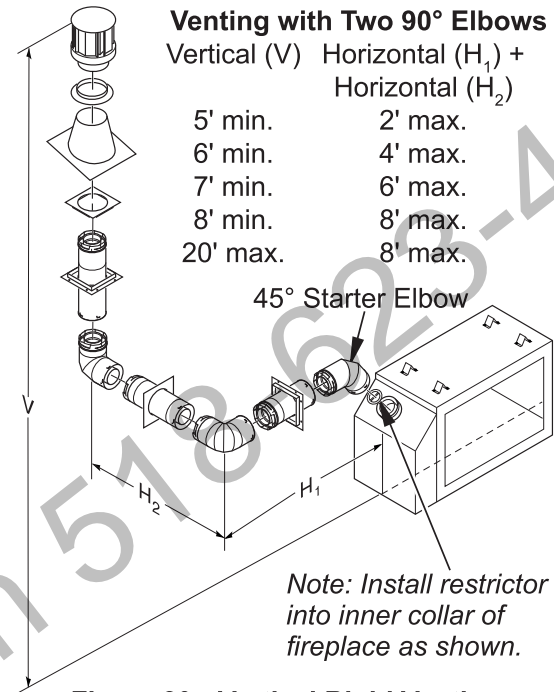
**Figure 27 - Cathedral Ceiling Support Box Installation**



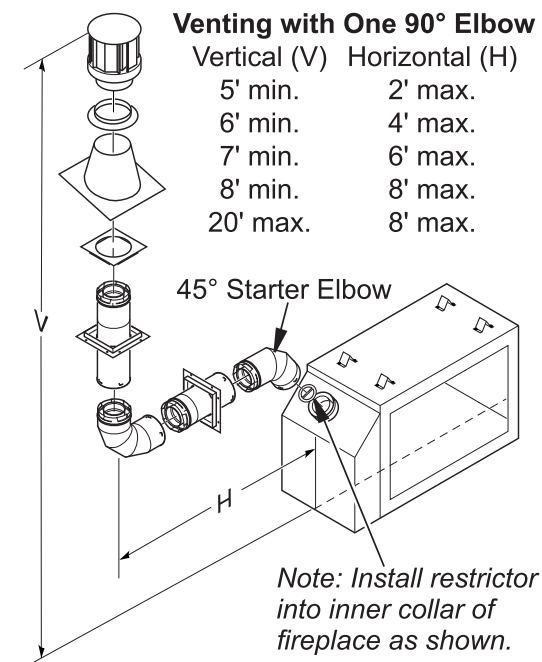
**Figure 28 - Installed Cathedral Ceiling Support Box**

## Vertical Termination Configurations

Figures 29 through 32 show four different configurations for vertical termination. These minimum vertical rises are based on horizontal runs with a minimum of 1/4" upwards pitch per foot and do not reflect constraints on a vertical system with 45° or greater offset.



**Figure 29 - Vertical Rigid Venting Configuration Using Two 90° Elbows with Two Horizontal Runs**

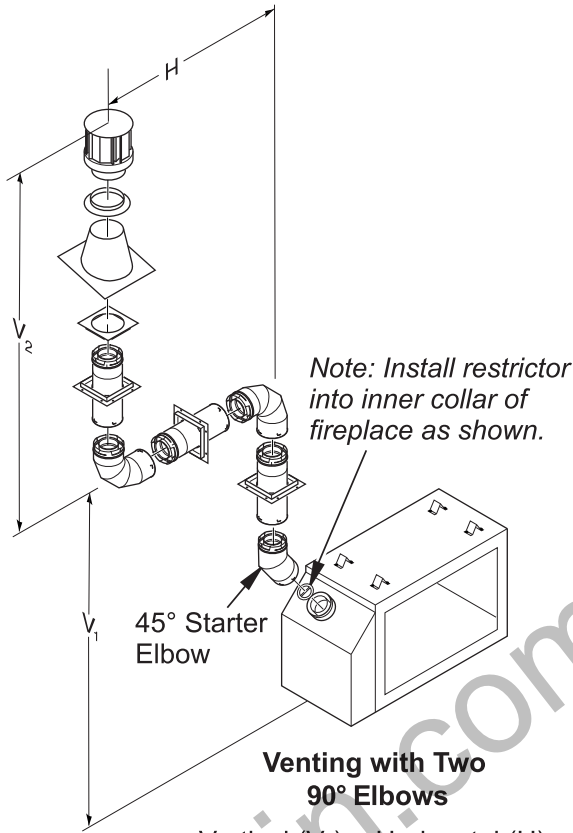


**Figure 30 - Vertical Rigid Venting Configuration Using One 90° Elbow**

# VENTING INSTALLATION

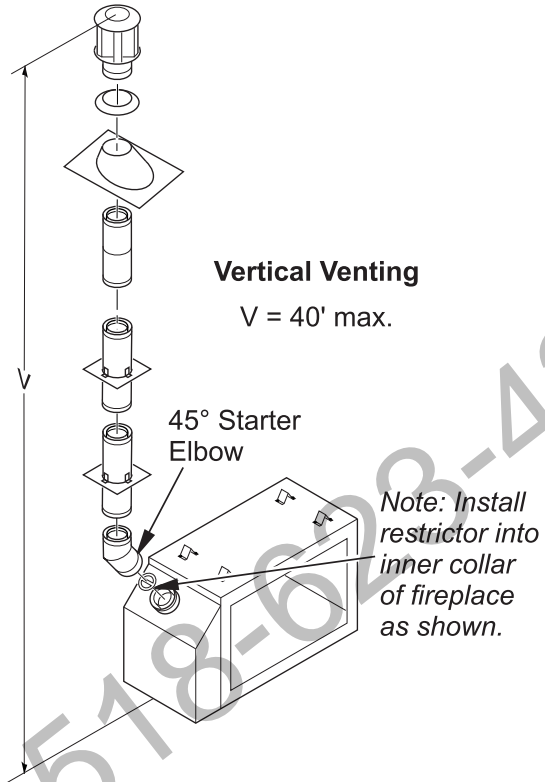
*Continued*

Any offset pitch of 45° or less must be considered horizontal and sized within the maximum allowable lengths listed in the following examples.

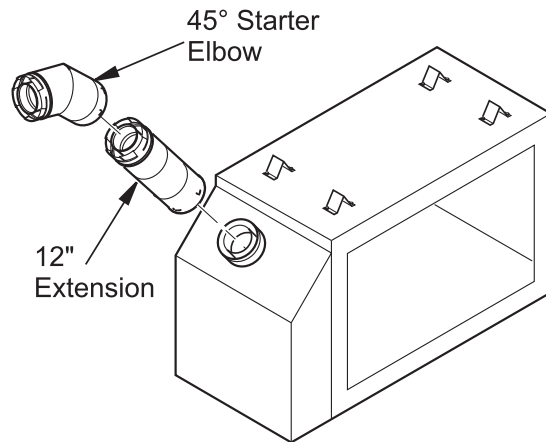


Vertical (V <sub>1</sub> )	Horizontal (H)
5' min.	6' max.
6' min.	12' max.
7' min.	18' max.
8' min.	20' max.

**Figure 31 - Vertical Rigid Venting Configuration Using Two 90° Elbows**



**Figure 32 - Vertical Rigid Venting Configuration With No Horizontal Run**



**Figure 33 - Recommended 12" Extension for High Altitude Installation**

# VENTING INSTALLATION

*Continued*

## HIGH ALTITUDE INSTALLATION

Your FMI PRODUCTS, LLC direct-vent fireplace has been tested and approved for elevations from 0-2,000 feet (USA).

Fireplaces for High Altitude (models ending in -HA) are for installation above 4,000 feet only. These fireplaces are equipped with parts specific for higher altitudes. **IMPORTANT:** These fireplaces can NOT be converted to propane/LP gas.

When installing a non-high altitude fireplace at an elevation above 2,000 feet (USA), you may need to decrease the input rating by changing the existing burner orifice to a smaller size. Reduce input 4% for each 1,000 feet above sea level. Check with your local gas company for proper orifice size identification.

**IMPORTANT: For horizontal installations above 2,000 feet, it is recommended that a 12" extension pipe be added before starter elbow (see Figure 33, page 19).**

## PARTS LIST FOR FMI VENTING KITS AND COMPONENTS

### FMI (5"/8") Pipe & Vent Kits

#### Number Description

VKR-58	Roof Vent Kit, Galvanized (Includes: 45° Elbow, 7"-12" Adjustable Pipe, Flue Restrictor, Vertical High Wind Termination, 2' Pipe, 4' Pipe, Wall Firestop, Storm Collar, Roof Flashing [0/12 - 6/12], 26 Screws)
VKB-58	Basement Vent Kit, Galvanized (Includes: 45° Elbow, 7"-12" Adjustable Pipe, Wall Firestop, Horizontal Square Termination, 4' Pipe, 90° Elbow, 20 Screws)
VKS-58	Snorkel Vent Kit, Galvanized (Includes: 45° Elbow, 7"-12" Adjustable Pipe, Wall Firestop, 36" Snorkel Termination, 4' Pipe, 1' Pipe, 90° Elbow, 26 Screws)
VKG-58	Ground Floor Vent Kit, Galvanized (Includes: 45° Elbow, 7"-12" Adjustable Pipe, Wall Firestop, Horizontal Square Termination, 16 Screws)
P58-48	48" Section Double Wall Pipe, Galvanized
P58-36	36" Section Double Wall Pipe, Galvanized
P58-24	24" Section Double Wall Pipe, Galvanized
P58-12	12" Section Double Wall Pipe, Galvanized
P58-6	6" Section Double Wall Pipe, Galvanized

#### Number Description

PA58-712	Adjustable 7"-12" Section Double Wall Pipe, Galvanized
FPA58-6	6" Dura Vent Collar to FMI Pipe Adaptor
E58-45	45° Elbow, Galvanized
E58-90	90° Elbow, Galvanized
FSE58-45	45° Starter Elbow (Dura Vent to FMI Pipe)
FP-58	Firestop Plate
WF-58	Wall Firestop, Galvanized
RF-58-6	Roof Flashing - 0 to 6/12 Pitch, Galvanized
RF-58-12	Roof Flashing - 6/12 to 12/12 Pitch, Galvanized
S-58	Vinyl Siding Standoff, Galvanized
VT-58	Vertical Round Termination, Galvanized
HHT-58	High Wind Round Horizontal Termination Kit, Galvanized
HTS-58	Horizontal Square Termination, Galvanized
HHTK-58	High Wind Round Horizontal Termination Kit (Includes Round Termination, Wall Firestop, 45° Elbow)
ST-58-14	14" Snorkel Termination, Galvanized
ST-58-36	36" Snorkel Termination, Galvanized
SF-58	Stucco Flashing - For use with HTS-58
VR-58	Vertical Restrictor, Galvanized
WS-58	Wall Strap
SC-58	Storm Collar, Galvanized
CS-58	Cathedral Ceiling Support

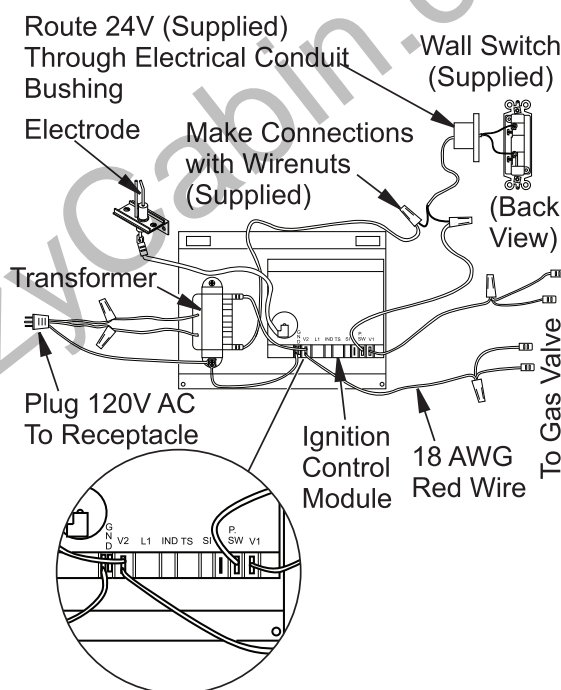
# FIREPLACE INSTALLATION

## WALL SWITCH INSTALLATION

Since the (V)DVF36TPNEA/TSTEA series uses a 24 VAC current supplied from a transformer mounted on the ignition module and is prewired for easy connection to a wall switch (see Figure 34). The (V)DVF36TPNA/TSTA models use a self generated millivolt current that allows you to activate the gas control valve directly without the use of normal household electricity (see Figure 35). Both versions are supplied with a wall switch kit for ready connection and mounting.

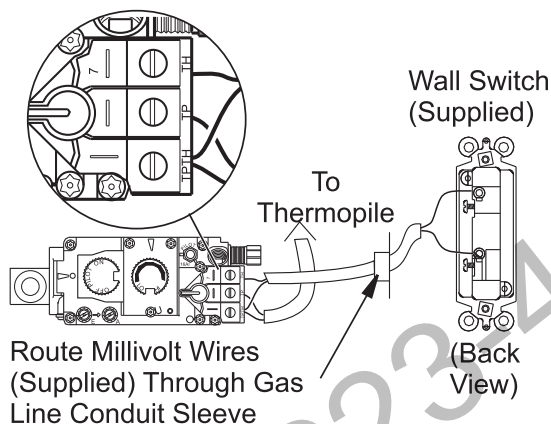
**WARNING:** Do not wire remote wall switch to main power supply (Standard 120v household current).

1. To remove louvers, simultaneously pull both top end spring latches towards center of appliance until they are disengaged from locating holes. Repeat for bottom spring latches and pull louvers outward. Reverse procedure to install louvers back onto appliance (see Figure 36).
2. Connect 18 gauge wires from wall switch to gas control valve terminals marked TH and TPTH or to ignition module using pigtails and wire nut connectors supplied with appliance.



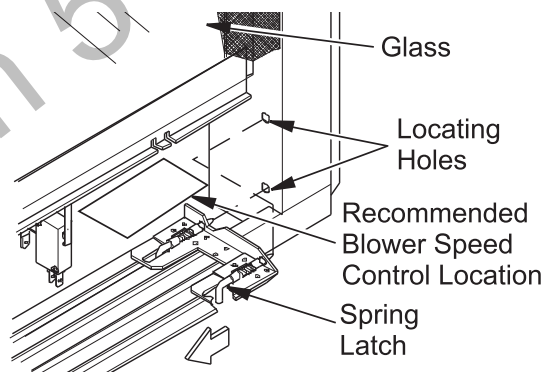
**Figure 34 - Wall Switch Wiring Diagram, Electronic Units**

**CAUTION:** Due to high temperatures, make sure wires are not touching upper firebox.



**Figure 35 - Wall Switch Wiring Diagram, Millivolt Units**

*Note: If any of the original wire supplied must be replaced, use type 18 AWG-105 degree C (25 feet length maximum) or equivalent.*



**Figure 36 - Removing Louver**

## ELECTRICAL HOOKUP FOR OPTIONAL BLOWER ACCESSORY

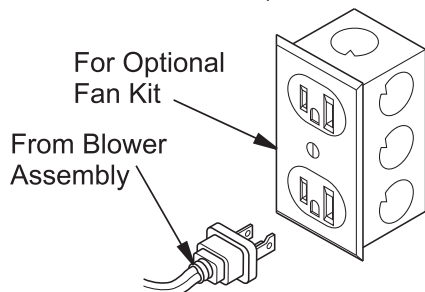
Before blower accessory can be operated, appliance outlet box must be properly connected to a standard 120 VAC power source. This must be done when appliance is originally installed. Refer to *Wiring Diagrams* on page 33.

An outlet box with two receptacles has been supplied for your convenience and is located on the lower right side of appliance (see Figure 37, page 22). The variable speed controller is mounted on a magnetic base and may be positioned anywhere within an accessible distance behind louvered opening (see Figure 36).

# FIREPLACE INSTALLATION

Continued

You may test blower for operation by turning control knob clockwise just until it clicks on which is the full on position. Adjust fan speed to lowest setting (this should be no more than 1/4 of a turn clockwise).



**Figure 37 - Connecting Blower Accessory to Power Supply**

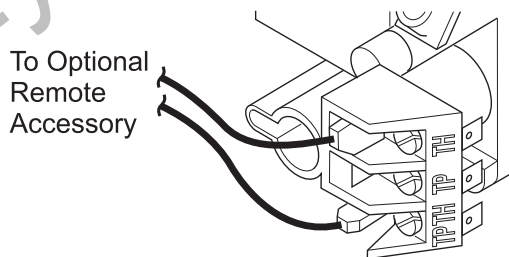
## INSTALLING OPTIONAL WIRELESS HAND-HELD REMOTE CONTROL MRC-SERIES

Note: If using an optional wireless hand-held remote control, wall switch is no longer operational.

**NOTICE: Only use alkaline batteries (not included).**

### Installing Remote Receiver

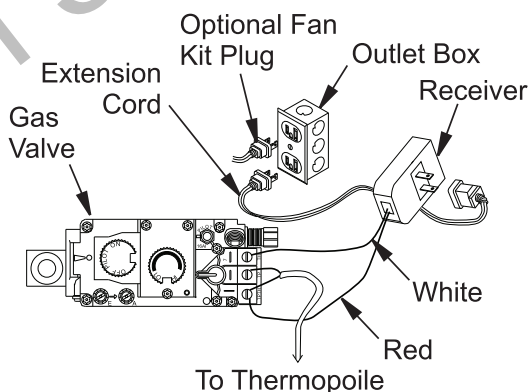
1. Open bottom louver and locate switch bracket on the right.
2. Remote receiver can be placed in the hole on the switch bracket or place on the floor underneath the firebox. See remote instructions for further information.
3. Attach terminal wires to battery.
4. Connect wires from receiver to TH and TPTH to control valve (see Figure 38).



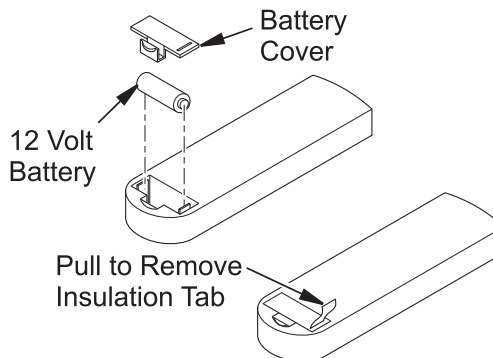
**Figure 38 - Control Valve Terminals**

### Installing SKYTECH/WRC Model Remote Control (Electronic Models Only)

1. Remove lower louver access panel in fireplace (see step 1 of *Wall Switch Installation*, page 21).
2. If a wall switch was installed, it must be removed from ignition control circuit for remote to work properly. Remove wire nuts from switch connection at ignition control module. Using wire nut, connect transformer (blue) wire to remaining wire connected to control terminal marked P.S.W (see Figure 34, page 21).
3. The receiver does not require a battery. To install, plug extension cord into one of the outlet receptacles on outlet box. Plug receiver unit into extension cord and ignition module into receiver unit (see Figure 39).
4. Replace louvered access panel by following reverse steps on page 21.
5. Activate handset battery by removing insulating tab on back (see Figure 40).



**Figure 39 - Installing Remote Receiver (SKYTECH Model)**



**Figure 40 - Installing Battery in Hand-Held Remote Control Unit (SKYTECH)**

# FIREPLACE INSTALLATION

*Continued*

## GAS LINE HOOK-UP

**⚠ WARNING: Before you proceed, make sure your gas supply is OFF.**

**⚠ WARNING: Gas line hookup should be done by your gas supplier or a qualified service person.**

An equipment shutoff valve has been included in the appliance's gas supply system. You may consider installing an extra gas shutoff valve outside appliance's enclosure (check with local codes) where it can be accessed more conveniently with a key through a wall as shown in Figure 41.

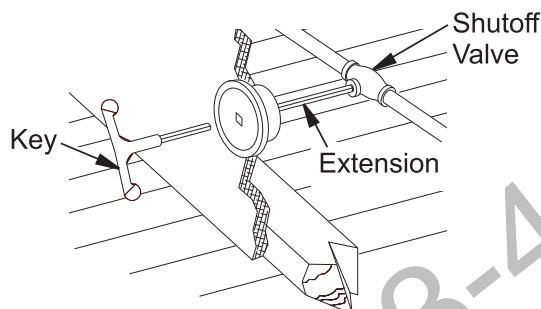
Route a 1/2" NPT black iron gas line towards appliance coming in from the left. It is recommended to route pipe between stand of firebox and surround of fireplace (see Figure 42).

**IMPORTANT:** The appliance and its individual shutoff valve must be disconnected from the gas supply piping system during any pressure testing of that system at test pressures in excess of 1/2 psig. (3.5 kPa). The appliance must be isolated from the gas supply piping system by closing its individual equipment shutoff valve during any pressure testing of the gas supply piping system at test pressures equal to or less than 1/2 psig. (3.5 kPa).

**⚠ CAUTION: Do not kink flexible gas line.**

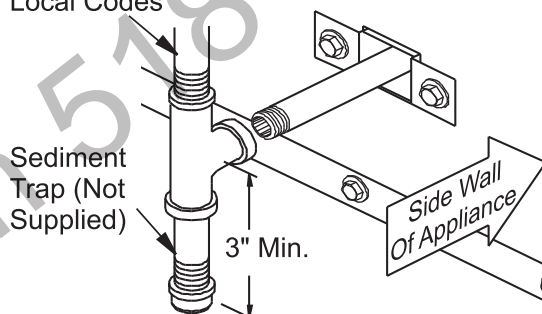
**⚠ CAUTION: Compounds used on threaded joints of gas piping shall be resistant to the action of Liquefied Petroleum (LP or propane), and should be applied lightly to ensure excess sealant does not enter the gas line.**

1. Install a sediment trap between incoming gas line and gas control valve (see Figure 42). The sediment trap should extend down center of pipe. Refer to your local codes.



**Figure 41 - Typical Exterior Wall Gas Shutoff Installation**

Incoming 1/2" Gas Line Permitted by Local Codes



**Figure 42 - Sediment Trap**

2. Prepare incoming gas line and check with local codes regarding the use of Teflon tape. Complete your gas line installation by connecting incoming gas line with flexible gas line. Secure tightly with a wrench, but **DO NOT OVERTIGHTEN.**

# FIREPLACE INSTALLATION

Continued

**⚠ WARNING:** All gas piping and connections must be tested for leaks after the installation is completed. After ensuring that the gas valve is open, apply a soap and water solution to all connections and joints. If bubbles appear, leaks can be detected and corrected. Do not use an open flame for leak testing and do not operate any appliance if a leak is detected.

**⚠ WARNING:** Improper installation, adjustment, alteration, service, or maintenance can cause injury or property damage. Refer to this manual. For assistance or additional information, consult a qualified installer, service agency, or gas supplier.

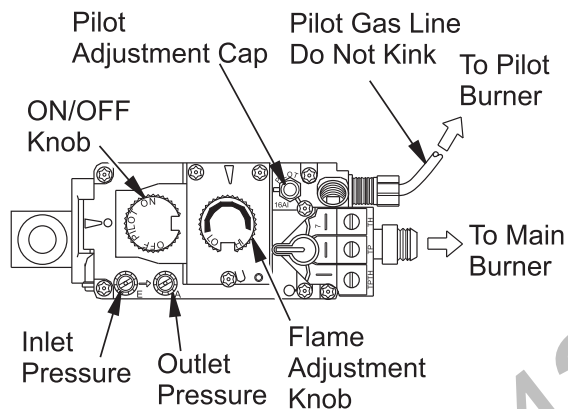


Figure 43 - Millivolt Control Valve

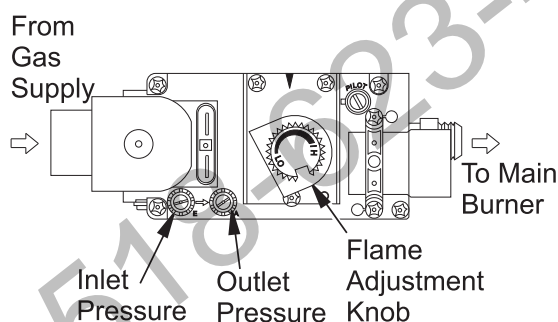


Figure 44 - Electronic Control Valve

## GAS SUPPLY TESTING

*Note: This section is intended as a guide for qualified service technicians installing gas to the appliance.*

**⚠ CAUTION:** Do not connect appliance before pressure testing gas piping. Damage to the gas valve may result and an unsafe condition may be caused.

The millivolt system with a manual HI/LO applies only to the (V)DVF36TPNA/TSDTA and (V)DVF36TNPA/TSTPA models. Gas control valve is accessible from lower control compartment. Two pressure taps are provided on gas control valve for a pressure gauge connection (see Figure 43).

The electronic system applies to the (V)DVF36TPNEA/TSTEA and (V)DVF36TPNPEA/TSTPEA models (see Figure 44).

## INSTALLING LOG SET

Before proceeding, make sure gas control valve is in the OFF position. Logs have been shrink wrapped on a cardboard backing to prevent breakage during shipping. Cut around perimeter of each log and pull gently on shrink wrap to expose log. Do not pull on log to release it from shrink wrap as this may damage logs.

1. Remove lower louver access panel in fireplace (see step 1 of [Wall Switch Installation](#), page 21).
2. Remove screen rod by sliding it either to the left or right of fireplace until one of the rod ends is free and completely remove screen from fireplace.
3. To open glass door, undo latches located on top and bottom of firebox (see Figure 45, page 25). *Note: Use caution when opening these latches. Carefully open door by swinging it to the left. Glass door is mounted to firebox with 5 screws.*
4. Figure 46 shows log set. Logs "A" have the knot at end of log. Logs "B" have the knot at middle of log. Twigs "C" have the shape of a "Y". Twigs "D" have the shape

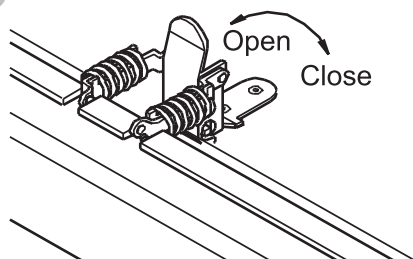


# FIREPLACE INSTALLATION

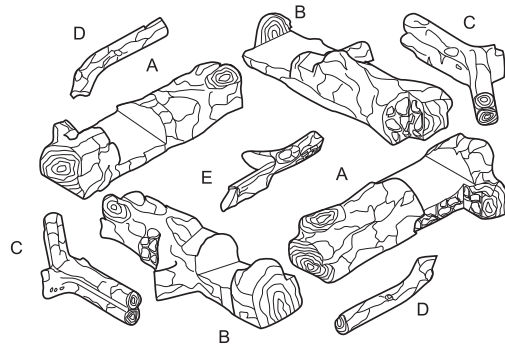
*Continued*

- of bent twigs. Twig "E" is a straight twig which is placed across top of logs "B".
- Figure 47 shows the top view of burner and grate.
  - Place logs "A" as shown in Figure 48.
  - Place logs "B" as shown in Figure 49. Lift end of log "A" that will be propped up and place log "B" under it. At the same time, the other side of log "B" is placed over the other log "A". Repeat procedure for the other log "B". The charred area on these four interlocking logs must be aligned flush with each other. Make sure the logs does not cover any of the burner ports.
  - Take twigs "C" (shaped like a "Y") and place them as shown in Figure 50.
  - Take twigs "D" (bent twig) and place them as shown in Figure 50.
  - Place twig "E" across top of logs "B" a shown in Figure 50.
  - When finished installing logs, close glass door. Make certain safety door switch is fully pressed by door frame before securing four (4) spring loaded latches.
  - Replace louvers in reverse order with grilles pointing in the down position.

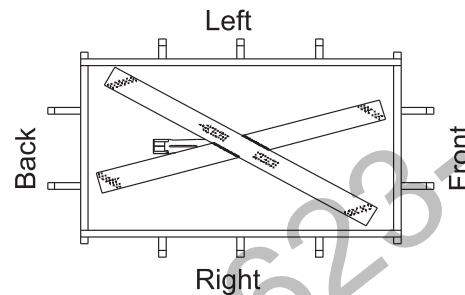
**⚠ WARNING: Improper installation, adjustment, alteration, service, or maintenance can cause injury or property damage. Refer to this manual. For assistance or additional information, consult a qualified installer, service agency, or gas supplier.**



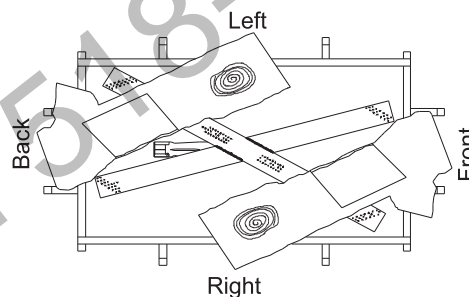
**Figure 45 - Opening Door Latches**



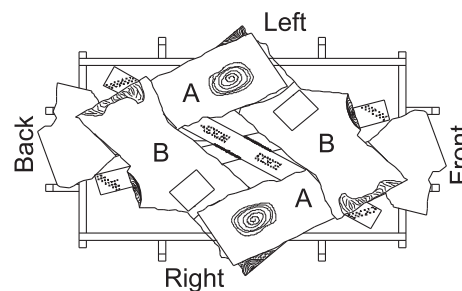
**Figure 46 - Log Set (9 Pieces)**



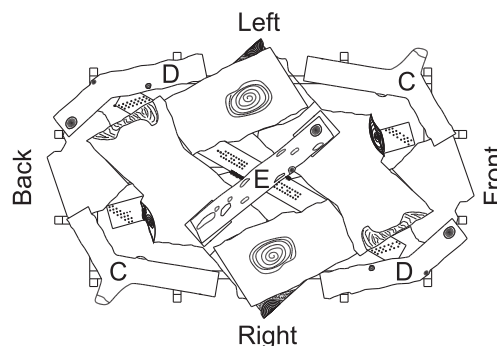
**Figure 47 - Burner and Grate (Top View)**



**Figure 48 - Installing Logs "A" (Top View)**



**Figure 49 - Installing Logs "B" (Top View)**



**Figure 50 - Installing Twigs "C, D, E" (Top View)**

# FIREPLACE INSTALLATION

*Continued*

## DECORATIVE FACING

Any noncombustible material may be used for facing (glass, tile, brick, etc.) as long as the proper clearances are observed (see *Clearances*, page 6). **IMPORTANT:** Louvered openings must not be obstructed, and upper and lower panels must remain removable for

servicing. Use only heat resistant, noncombustible mortar or adhesive when securing facing material.

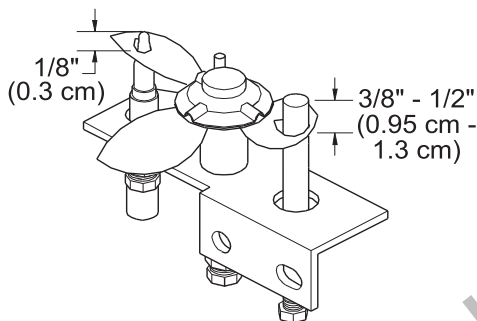
*Note: Combustible material, such as wood, that has been fireproofed is not considered noncombustible.*

## PILOT/ELECTRODE ASSEMBLY ADJUSTMENT

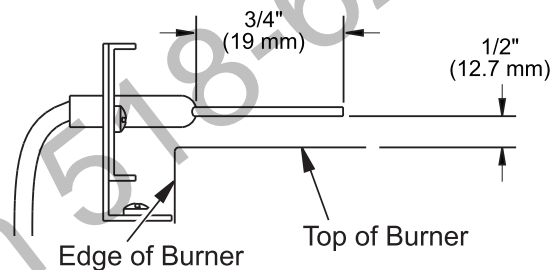
The pilot assembly is factory preset for the proper flame height. Alteration to these settings may have occurred during shipping and handling. If this is the case, some minor adjustment may be necessary and should be done by a qualified technician. To access pilot assembly, glass door must be opened. The proper settings for thermopile height should

be at a distance of 3/8" to 1/2" from pilot flame as shown in Figure 51.

The electrode is installed at the factory for proper positioning. However, alterations to position may have occurred due to shipping and handling. These settings may need adjustment and must be done by a qualified technician. The correct position and height is as shown in Figure 52.



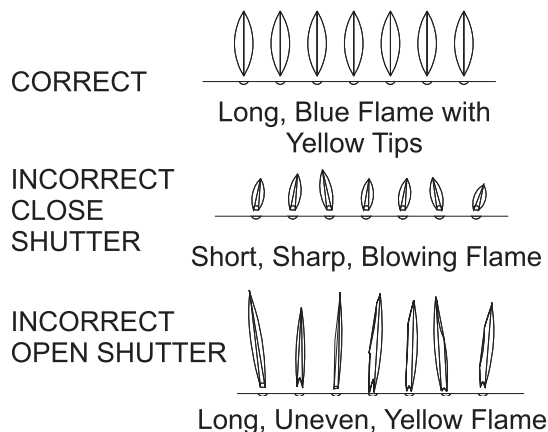
**Figure 51 - Correct Pilot Flame Pattern**



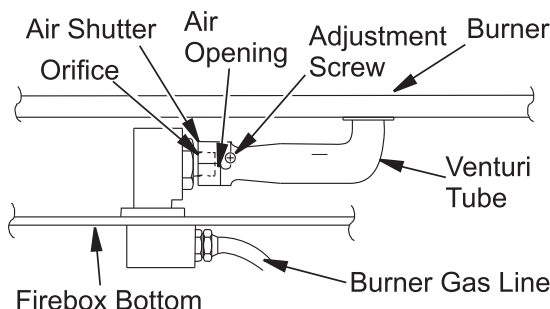
**Figure 52 - Correct Ignitor Location (Side View)**

## BURNER FLAME ADJUSTMENT

The air shutter, located at the base of the main burner (see Figure 53), has been factory preset to the proper air-to-gas ratio which results in an even, clean burning flame across the burner (see Figure 54). If readjustment is necessary, you can restore the proper air-to-gas ratio by loosening the air shutter screw and rotating the air shutter until the proper flame setting is achieved (the shutter's normal setting is fully open. Do not forget to retighten the air shutter screw.



**Figure 54 - Burner Flame Patterns**



**Figure 53 - Air Shutter Adjustment**

## BURNER REMOVAL

**CAUTION:** Before proceeding to open glass door or handle logs, make sure entire unit is cool.

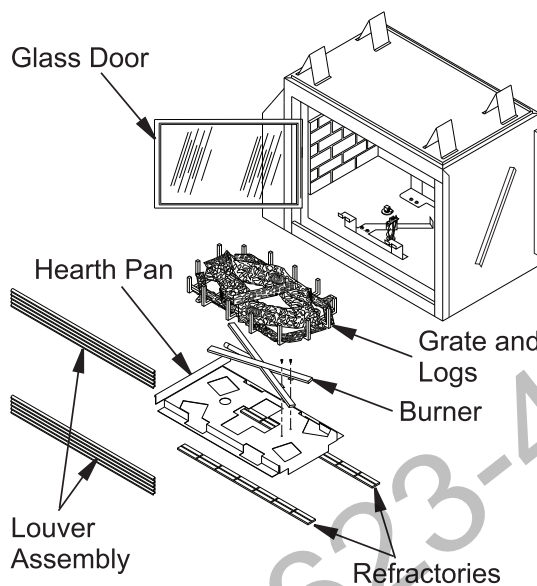
1. Remove top and bottom louvers and screen assembly. Undo 4 latches and open glass door.

## BURNER FLAME ADJUSTMENT

*Continued*

- Carefully remove log set intact and set aside (see Figure 55).
- Remove 2 screws holding burner to hearth pan.
- Slide burner forward off orifice and turn to one side to clear opening in hearth pan. Be careful not to bend or damage pilot or ignitor element.
- To reinstall burner, follow reverse steps making sure air shutter on burner tube is completely seated over orifice mount.
- Replace log set. Close door and latch. Reattach screen and louvers.

**⚠ CAUTION:** Make certain orifice is fully inside venturi tube's air shutter and that air shutter is adjusted accordingly, see Figure 53, page 26.



*Figure 55 - Burner Removal*

## OPERATING GUIDELINES AND MAINTENANCE

When lit for the first time, appliance may emit a slight odor for about 16 - 24 hours. This is normal and is due to the "curing" of logs and "burn-in" of internal paints and lubricants used in the manufacturing process. Keep compartments, logs, burners, and area surrounding logs clean by vacuuming or brushing at least twice a year. Temporary removal of log set may ease cleaning of burner and pilot assembly. In cleaning, take care not to alter pilot or burner location. Be sure appliance is cool before each maintenance session.

**⚠ CAUTION:** The appliance and logs can get very hot - Handle only when cool.

**⚠ WARNING:** Turn off gas and wall switch before servicing appliance. Any safety screen or guard removed for servicing the appliance must be replaced prior to operating the appliance.

**⚠ WARNING:** Make certain wires and gas lines are not touching the underside of the firebox.

**⚠ WARNING:** Children and adults should be alerted to the hazards of high surface temperatures, and to stay away from the appliance to avoid burns or clothing ignition. Young children should be carefully supervised when they are in the same room as the appliance.

**⚠ WARNING:** Have a qualified agency periodically inspect the vent system at the start of each heating season, for any obstruction which may hinder its normal operation. Never obstruct the flow of combustion and ventilation air. Keep the front of the appliance clear of all obstacles and materials.

**⚠ CAUTION:** Label all wires prior to disconnection when servicing controls. Wiring errors can cause improper and dangerous operation.

# OPERATING GUIDELINES AND MAINTENANCE

Continued

## CLEANING AND REPLACING GLASS DOOR

*Note: Before proceeding, make sure unit is completely cool.*

1. Remove top and bottom louvers and screen assembly. Undo 4 latches and open glass door. The procedure is the same for end louver panel but entire frame must be removed as one assembly.
2. To clean glass door, DO NOT remove glass from frame. Use any glass cleaner to clean glass. Do not use abrasive cleaners as this may damage glass.
3. If replacement is necessary, entire assembly (frame and glass) must be replaced.

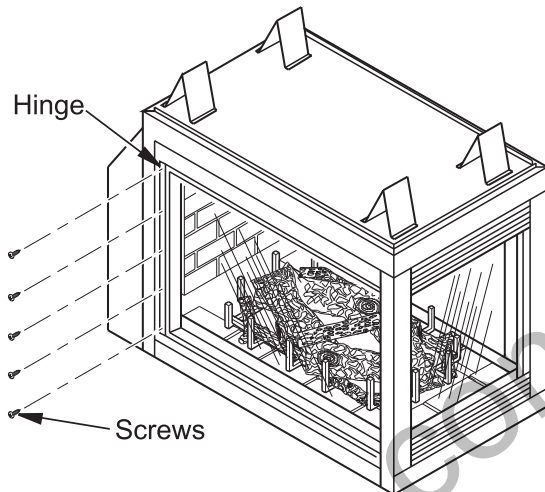


Figure 56 - Removing Glass Door

- If glass is broken, wear gloves and tape remaining fragments onto frame. Remove 5 screws located on end of firebox while holding frame assembly to prevent it from falling and causing injury (see Figure 56). Mount new frame at hinge with 5 new screws. Close and latch door. This will seat gasket. If replacing end glass panel, remove 16 screws around frame (see Figure 57). To insure proper fit, when installing new glass panels make sure seam in gasket is placed in the down position.
4. Replace screen assembly and top and bottom louvers.

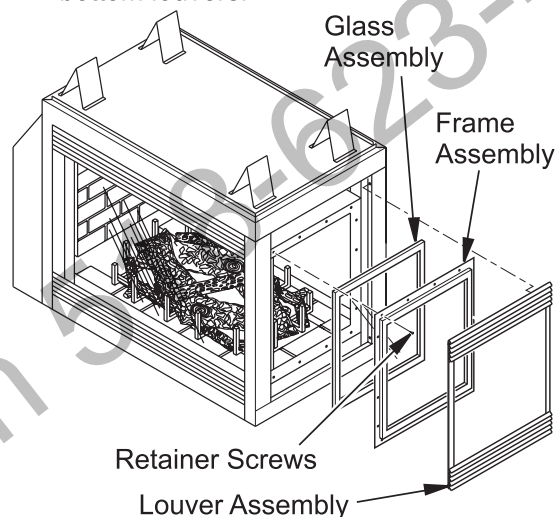


Figure 57 - End Panel Replacement

## OPERATION

**FOR YOUR SAFETY  
READ BEFORE LIGHTING**

**⚠ WARNING: If you do not follow these instructions exactly, a fire or explosion may result causing property damage, personal injury or loss of life.**

- A. This appliance has a pilot which must be lighted by hand. When lighting the pilot, follow these instructions exactly.
- B. BEFORE LIGHTING smell all around the appliance area for gas. Be sure to smell next to the floor because some gas is heavier than air and will settle on the floor.

**WHAT TO DO IF YOU SMELL GAS**

- Do not try to light any appliance.

- Do not touch any electric switch; do not use any phone in your building.
  - Immediately call your gas supplier from a neighbor's phone. Follow the gas supplier's instructions.
  - If you cannot reach your gas supplier, call the fire department.
- C. Use only your hand to push in or turn the gas control knob. Never use tools. If the knob will not push in or turn by hand, don't try to repair it, call a qualified service technician or gas supplier. Force or attempted repair may result in a fire or explosion.
  - D. Do not use this appliance if any part has been under water. Immediately call a qualified service technician to inspect the appliance and to replace any part of the control system and any gas control which has been under water.

## OPERATION *Continued*

### MILLIVOLT SYSTEM

#### LIGHTING INSTRUCTIONS

1. STOP! Read the safety information, page 28.
2. Set HI-LO knob to the lowest setting.
3. Turn off all electrical power to appliance.
4. Open control access panel.
5. Push in gas control knob slightly and turn clockwise to the OFF position.
6. Wait five (5) minutes to clear out any gas. Then smell for gas, including near the floor. If you smell gas, STOP! Follow "B" in the safety information, page 28. If you don't smell gas, go to the next step.
7. The pilot is located by the main burner.
8. Turn knob on gas control counterclockwise to the PILOT position.
9. Push in control knob all the way and hold in. Immediately light pilot by pressing ignitor button until a flame appears one minute after pilot is lit. Release knob and it will pop back up. Pilot should remain lit. If it goes out, repeat steps 5 through 9.
  - If knob does not pop out when released, stop and call gas supplier.
  - If pilot will not stay lit after several tries, turn gas control knob to OFF and call your service technician or gas supplier.
10. Turn gas control knob counterclockwise to the ON position. Knob can be turned to ON only if control knob is popped out.

11. Set HI-LO knob to desired setting.
12. Turn on all electric power to appliance.

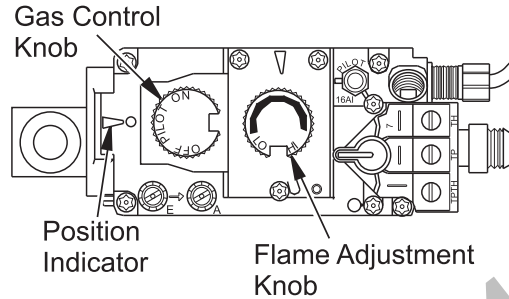


Figure 58 - Millivolt Control Valve

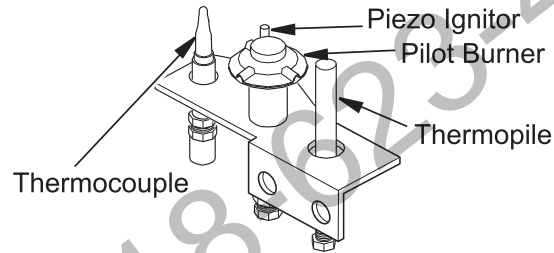


Figure 59 - Pilot

#### TO TURN OFF GAS TO APPLIANCE

1. Turn off wall switch.
2. Turn off all electric power to appliance if service is to be performed.
3. Remove control access panel.
4. Push in gas control knob slightly and turn clockwise to OFF. Do not force.
5. Replace control access panel.

### ELECTRONIC SYSTEM

#### LIGHTING INSTRUCTIONS

1. STOP! Read the safety information page 28.
2. Set thermostat to lowest setting (if applicable).
3. Turn off wall switch.
4. Open control access panel or louver.
5. Smell for gas, including near the floor. If you smell gas, STOP! Follow "B" in the safety information, page 28. If you don't smell gas, go to the next step.
6. The electrode is located by main burner.
7. Turn main burner wall switch to the ON position for ignition. There will be a spark at the electrode.
8. Replace control access panel or louver once there is a flame at the burner.

- If burner will not stay lit after several tries, flip wall switch to OFF and call your service technician or gas supplier.

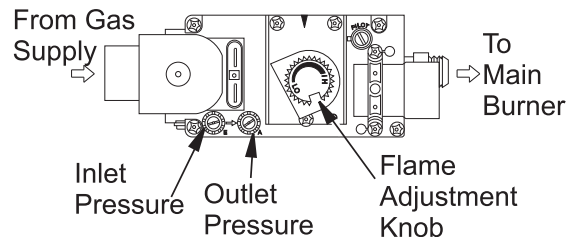


Figure 60 - Electronic Control Valve

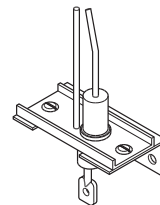


Figure 61 - Electrode

**OPERATION** *Continued*  
**ELECTRONIC SYSTEM** *Continued*

**TO TURN OFF GAS  
TO APPLIANCE**

1. Turn off all electrical power to appliance if service is to be performed.
2. Remove control access panel or louver.
3. Close gas valve.

**SPECIFICATIONS**

**(V)DVF36TPNA-(A), (V)  
DVF36TPNPEA-(A), (V)DVF36TSTA-  
(A) AND (V)DVF36TSTEA-(A)**

- Input Rating: 35,000/23,300 Btu/Hr
- Fuel: Natural Gas
- Manifold Pressure: 3.5" W.C.
- Minimum Supply Pressure: 4.5 W.C. \*\*
- Maximum Supply Pressure: 10.5" W.C.
- Orifice Size (0-4500 ft.): #34 DMS

**(V)DVF36TPNPA-(A), (V)  
DVF36TPNPEA-(A), (V)DVF36TSTP-  
(A) AND (V)DVF36TSTPEA-(A)**

- Input Rating: 31,000/20,000 Btu/Hr
- Fuel: Propane/LP Gas
- Manifold Pressure: 10" W.C.
- Minimum Supply Pressure: 11 W.C. \*\*
- Maximum Supply Pressure: 13" W.C.
- Orifice Size (0-4500 ft.): #51 DMS

\*\*For purpose of input adjustment.

## TROUBLESHOOTING

**⚠ WARNING:** Turn off heater, disconnect power if applicable and let cool before servicing. Only a qualified service person should service and repair heater.

**⚠ CAUTION:** Never use a wire, needle, or similar object to clean pilot. This can damage pilot unit.

*Note: The two most common causes of malfunctioning gas appliances are loose wiring connections and construction debris clogging pilot and/or control valve filter.*

*Note: Before troubleshooting the system make sure gas shut off valve is open.*

### MILLIVOLT SYSTEM

OBSERVED PROBLEM	POSSIBLE CAUSE	REMEDY
Pilot will not light	<ol style="list-style-type: none"> <li>1. No gas supply, or shutoff valve is OFF</li> <li>2. Air in gas line</li>   <li>3. Construction debris clogging pilot orifice</li> <li>4. Low gas pressure</li> <li>5. Control valve knob is not on the PILOT position</li> <li>6. Kinked pilot line</li> <li>7. Bad valve</li>   <li>8. Bad thermocouple or loose connection</li> </ol>	<ol style="list-style-type: none"> <li>1. Check to see if you have gas supply</li> <li>2. Hold control valve in the PILOT position for 2 to 3 minutes to purge air. If you smell gas stop and wait for a few minutes before trying to light the fireplace</li> <li>3. Remove debris and dirt, inspect and clean any other possible obstructions</li> <li>4. Contact your gas supplier</li> <li>5. Refer to section on pilot lighting</li> <li>6. Have a qualified technician replace pilot line</li> <li>7. Replace control valve (see <i>Replacement Parts and Accessories</i>, page 34)</li> <li>8. Tighten thermocouple or replace</li> </ol>
Pilot will not stay lit	<ol style="list-style-type: none"> <li>1. Loose wiring on thermopile to regulator valve. No millivolt current being sent to regulator</li> </ol>	<ol style="list-style-type: none"> <li>1. Check wiring connection. Refer to <i>Wiring Diagrams</i>, page 33</li> </ol>
No gas to burner, although wall switch and valve are set to the ON position	<ol style="list-style-type: none"> <li>1. Wall switch wires defective</li> <li>2. Thermopile generator or sensor not generating sufficient voltage</li> </ol>	<ol style="list-style-type: none"> <li>1. Check electrical connections</li> <li>2. Recheck problem <i>Pilot Will Not Stay Lit</i></li> </ol>
Frequent pilot outage	<ol style="list-style-type: none"> <li>1. Pilot flame may be too low, causing safety pilot to “drop out”</li> </ol>	<ol style="list-style-type: none"> <li>1. Clean and adjust pilot flame for maximum flame impingement on thermopile</li> </ol>
Pilot goes out when wall switch is on	<ol style="list-style-type: none"> <li>1. Millivolt output on thermopile too high</li> </ol>	<ol style="list-style-type: none"> <li>1. Replace thermopile</li> </ol>

## TROUBLESHOOTING

*Continued*

OBSERVED PROBLEM	POSSIBLE CAUSE	REMEDY
When ignitor button is pressed, there is no spark at pilot	1. Defective ignitor	1. Replace ignitor if wire is properly connected and you have no spark
	2. Defective pilot or misaligned electrode at pilot	2. Using a match, light pilot. If pilot lights turn off pilot and push piezo again. If pilot lights, an improper gas/air mixture cause improper lighting and a longer purge period is recommended. If pilot will not light, check gap at electrode and pilot. Gap should be 1/8" for strong spark. If electrode is okay, replace pilot
	3. No or low gas pressure	3. <b>LP only:</b> Check fuel supply and contact local propane/LP supplier if low. <b>LP and Natural:</b> Check for kinked or bent hoses. Consult pipe fitter or plumber.

### ELECTRONIC IGNITION SYSTEM

OBSERVED PROBLEM	POSSIBLE CAUSE	REMEDY
Ignitor will not spark or burner will not light	1. No or low gas pressure	1. <b>LP only:</b> Check fuel supply and contact local propane/LP supplier if low. <b>LP and Natural:</b> Check for kinked or bent hoses. Consult pipe fitter or plumber.
	2. Air in gas line	2. Repeat lighting procedure several times to purge air from lines. If unit will still not light, contact a qualified service and repair technician
	3. Construction debris clogging main orifice	3. Remove debris and dirt, inspect and clean other possible obstructions
	4. Control valve knob not opening	4. Replace control valve
	5. Kinked pilot line	5. Contact a qualified technician to replace pilot line
	6. No power to unit or ignition module/power transformer is bad	6. Check that main power is on and all wire connections are made correctly to ignition module
Burner will not stay lit	1. Loose wiring on ignition module	1. Check ignition wire connection (see <i>Wiring Diagrams</i> , page 33)
	2. Poor ground to ignition module	2. Check ground wire connection (see <i>Wiring Diagrams</i> , page 33)
	3. Main burner flame too low to sense	3. Clean and adjust main burner; check gas supply and inlet pressure; replace ignition assembly if necessary



# TROUBLESHOOTING

*Continued*

OBSERVED PROBLEM	POSSIBLE CAUSE	REMEDY
No gas to main burner when wall switch and valve are set to ON position	1. Wall switch wires defective	1. Check electrical connections and replace wall switch
Frequent main burner outage	1. Burner flame is too low 2. Igniter is misaligned causing safety burner to "drop out" 3. Vent may be blocked or restricted	1. Clean and adjust main burner 2. Adjust ignitor location for maximum flame impingement on sensor 3. Have vent inspected for blockage or damage

## WIRING DIAGRAMS

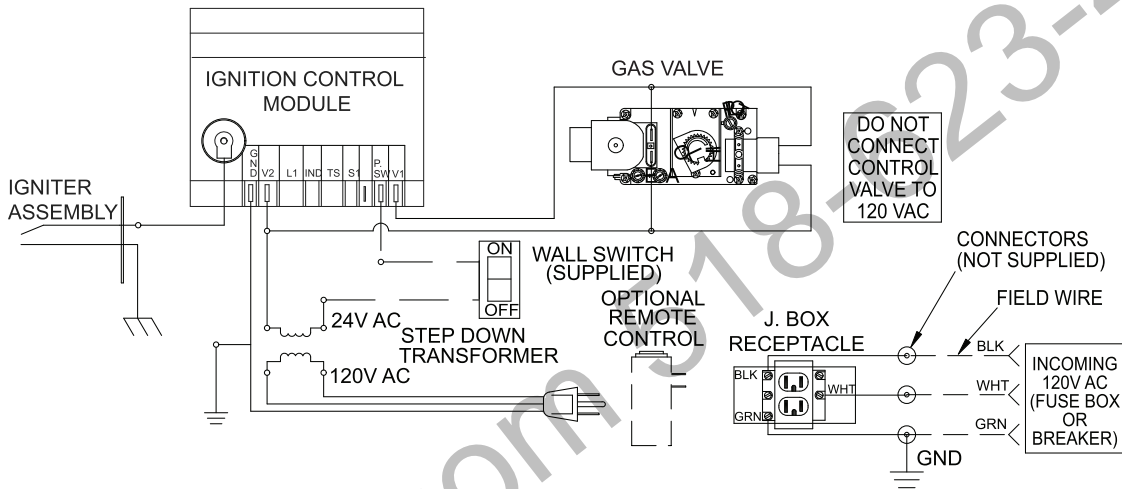


Figure 62 - Electronic Wiring Diagram

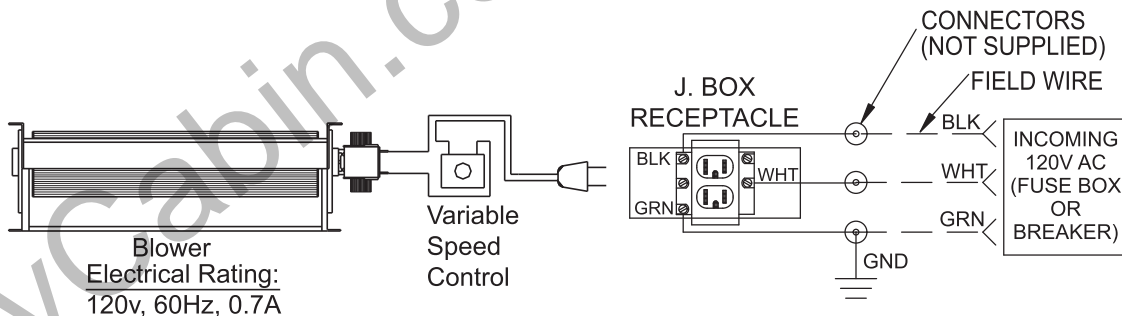


Figure 63 - Optional Blower Wiring Diagram

## SERVICE HINTS

### When Gas Pressure Is Too Low

- pilot will not stay lit
- burner will have delayed ignition
- fireplace will not produce specified heat
- propane/LP gas supply may be low

You may feel your gas pressure is too low. If so, contact your local gas supplier.

## TECHNICAL SERVICE

You may have further questions about installation, operation, or troubleshooting. If so, contact FMI PRODUCTS, LLC at 1-866-328-4537. When calling please have your model and serial numbers of your heater ready.

You can also visit our web site at [www.fmiproducts.com](http://www.fmiproducts.com).

## REPLACEMENT PARTS

Contact authorized dealers of this product. If they can't supply original replacement part(s), call FMI PRODUCTS, LLC at 1-866-328-4537.

When calling, have ready:

- your name
- your address
- model and serial numbers of your heater
- how heater was malfunctioning
- purchase date

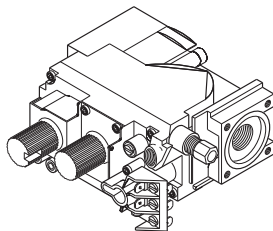
*Note: Use only original replacement parts. This will protect your warranty coverage for parts replaced under warranty.*

Usually, we will ask you to return the part to the factory.

## PARTS AND ACCESSORIES

### MANUAL GAS CONTROL VALVE

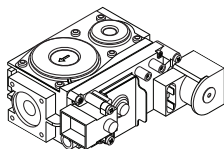
Natural - 14389  
Propane/LP - 14390  
Natural, Hi Altitude  
117370-01



Have a qualified technician replace part.

### ELECTRONIC GAS VALVE

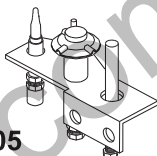
Natural - 14428  
Propane/LP - 14429



Have a qualified technician replace part.

### PILOT ASSEMBLY

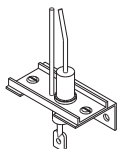
Natural - 108084-02  
Propane/LP - 108084-03  
Natural, Hi Altitude - 108084-05



Have a qualified technician replace part.

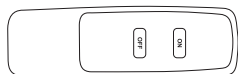
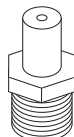
### IGNITOR ASSEMBLY

Natural - 14385  
Have a qualified technician replace part.



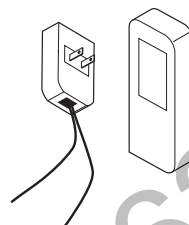
### ORIFICE

Natural - 23103  
Propane/LP - 23104



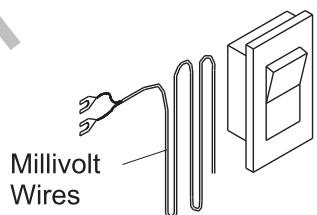
### RECEIVER AND HAND-HELD ON/OFF REMOTE CONTROL KIT - MRC

**For millivolt models.** Allows gas log heater to be turned on and off by using a hand-held remote control.



### RECEIVER AND HAND-HELD ON/OFF SKYTECH REMOTE CONTROL KIT - WRC

**For electronic models.** Allows gas log heater to be turned on and off by using a hand-held remote control.

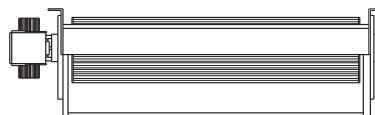


Wall Switch and Cover Plate

Millivolt Wires

### WALL SWITCH KIT - GWMS2

Wall switch, cover plate, and millivolt wires are supplied with the appliance. If wires need replacing, use proper gauge.



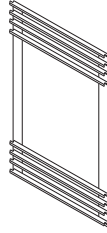
### BLOWER KIT - DVFFBK

**For all models.** Increases air circulation to maximize heat distribution.

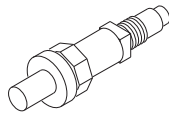
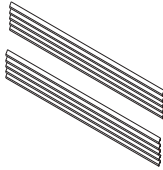
# PARTS AND ACCESSORIES

Continued

**END LOUVER KIT**  
(Peninsula Only)  
Black - 01645

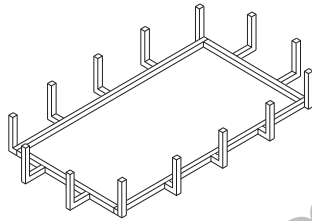


**LOUVER KIT**  
Black - 01627



**PIEZO IGNITOR - 097159-04**

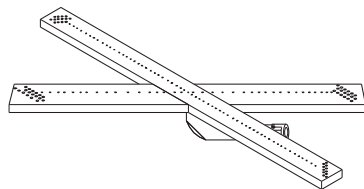
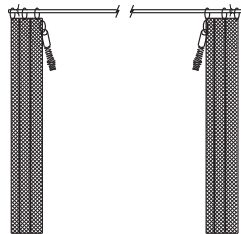
**GRATE - 11184**



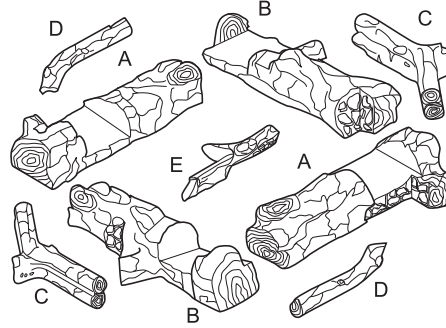
**END GLASS ASSEMBLY**  
(Peninsula Only)  
26624 (Ceramic)



**SCREEN ASSEMBLY - 25903**



**BURNER ASSEMBLY - 27243**



**LOG SET - 27237**

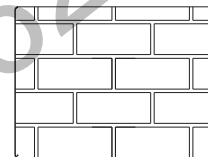
- Log Piece A - 27238
- Log Piece B - 27239
- Log Piece C - 27242
- Log Piece D - 27240
- Log Piece E - 27241



Front (Bottom)



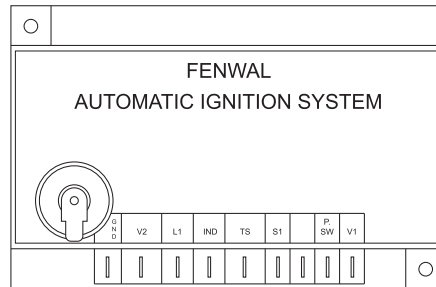
Left/Right (Bottom)



Rear (For Peninsula and See-Thru)

**REFRACTORY PIECES**

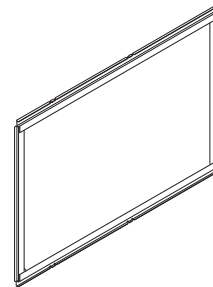
- Front (Bottom) - 25854
- Left/Right (Bottom) - 25856
- Rear - 25855



**IGNITION CONTROL - 14384**

For DVF36(PNEA,PNPEA,STEA,STPEA)

**SIDE DOOR ASSEMBLY - 26624**  
(CERAMIC)



**HIGH VOLTAGE CABLE - 14386**

# WARRANTY

## KEEP THIS WARRANTY

Model (located on product or identification tag) \_\_\_\_\_

Serial No. (located on product or identification tag) \_\_\_\_\_

Date Purchased \_\_\_\_\_

Keep receipt for warranty verification.

## FMI PRODUCTS, LLC LIMITED WARRANTIES

### New Products

**Standard Warranty:** FMI PRODUCTS, LLC warrants this new product and any parts thereof to be free from defects in material and workmanship for a period of two (2) year from the date of first purchase from an authorized dealer provided the product has been installed, maintained and operated in accordance with FMI PRODUCTS, LLC's warnings and instructions.

For products purchased for commercial, industrial or rental usage, this warranty is limited to 90 days from the date of first purchase.

### Factory Reconditioned Products

**Limited Warranty:** FMI PRODUCTS, LLC warrants factory reconditioned products and any parts thereof to be free from defects in material and workmanship for 30 days from the date of first purchase from an authorized dealer provided the product has been installed, maintained and operated in accordance with FMI PRODUCTS, LLC's warnings and instructions.

### Terms Common to All Warranties

The following terms apply to all of the above warranties:

Always specify model number and serial number when contacting the manufacturer. To make a claim under this warranty the bill of sale or other proof of purchase must be presented.

This warranty is extended only to the original retail purchaser when purchased from an authorized dealer, and only when installed by a qualified installer in accordance with all local codes and instructions furnished with this product.

This warranty covers the cost of part(s) required to restore this product to proper operating condition and an allowance for labor when provided by a FMI PRODUCTS, LLC Authorized Service Center or a provider approved by FMI PRODUCTS, LLC. Warranty parts must be obtained through authorized dealers of this product and/or FMI PRODUCTS, LLC who will provide original factory replacement parts. Failure to use original factory replacement parts voids this warranty.

Travel, handling, transportation, diagnostic, material, labor and incidental costs associated with warranty repairs, unless expressly covered by this warranty, are not reimbursable under this warranty and are the responsibility of the owner.

Excluded from this warranty are products or parts that fail or become damaged due to misuse, accidents, improper installation, lack of proper maintenance, tampering, or alteration(s).

This is FMI PRODUCTS, LLC's exclusive warranty, and to the full extent allowed by law; this express warranty excludes any and all other warranties, express or implied, written or verbal and limits the duration of any and all implied warranties, including warranties of merchantability and fitness for a particular purpose to two (2) year on new products and 30 days on factory reconditioned products from the date of first purchase. FMI PRODUCTS, LLC makes no other warranties regarding this product.

FMI PRODUCTS, LLC's liability is limited to the purchase price of the product, and FMI PRODUCTS, LLC shall not be liable for any other damages whatsoever under any circumstances including indirect, incidental, or consequential damages.

Some states do not allow limitations on how long an implied warranty lasts or the exclusion or limitation of incidental or consequential damages, so the above limitation or exclusion may not apply to you.

This warranty gives you specific legal rights, and you may also have other rights which vary from state to state.

For information about this warranty contact:



**FMI PRODUCTS, LLC**

2701 S. Harbor Blvd.

Santa Ana, CA 92704

1-866-328-4537

**www.fmiproducts.com**

56131

Rev. K

12/10