

Installation Instructions

DIRECT-TEMP[®] SELKIRK DIRECT VENT SYSTEM

DESCRIPTION AND USE - DV INSERT KIT (COLINEAR)

Selkirk DIRECT-TEMP Colinear Insert Kit provides a Vertical Cap with a built-in co-linear adapter at the base and a baseplate to serve as a flashing. The Kit also includes 2 Lengths of flexible liner. See Table 1 for more information.

Selkirk DIRECT-TEMP is designed to be the vent and air intake system for an approved list of direct vent gas appliances.

Selkirk DIRECT-VENT materials, design, and these instructions have been evaluated and listed by Underwriters Laboratory Inc.

Contact local building or fire officials about restrictions and installation inspections in your area, and obtaining building permits before beginning the installation.

Do not install Selkirk DIRECT-VENT without first carefully reading the main instructions and the appliance manufacturer's instructions. If you still have any doubt about your ability to complete the installation in a safe manner after reading these instructions, arrange for a professional installation.

Selkirk DIRECT-TEMP is for use only with appliances that are certified or listed by a major qualified testing agency, such as AGA, CSA, OMNI, UL, or Warnock Hersey.

Selkirk warranty coverage will be null and void, and serious fire, health, or other safety hazards may result from any of the following actions:

- Installation of any damaged Chimney Liner System;
- Unauthorized modifications of the Chimney Liner System;
- Installation of any component part not manufactured or approved by Selkirk.
- Installation other than as instructed by Selkirk and the appliance manufacturer.

WARNING:

- Always maintain required clearances (air spaces) to nearby combustibles to prevent a fire hazards. Be sure to check the appliance manufacturer's installation instructions for minimum clearance requirements between the outer walls of the vent pipe/liner system and nearby combustible surfaces. Be sure to check the vent termination clearance requirements from desks, windows, soffits, gas regulators, and air supply inlets, as specified in local building codes.

The gas appliance and vent system must be vented directly to the outside of the building, and never be attached to a chimney serving a separate solid fuel or gas-burning appliance. Each direct vent gas appliance must use its own venting system. Common venting are prohibited.

Always wear eye protection and heavy gloves for protection.

Exercise extreme caution when using ladders or on rooftops.

Check overhead for power lines, antennas or other obstacles.

Make sure the inside of the masonry or factory-built chimney is large enough to accommodate two (2) flex liners (3"/3" or 4"/3").

Make sure the masonry chimney is sound in construction, clean and free from all loose and potentially flammable debris. If you find any cracks, loose or missing bricks or tiles, repair or replace.

WARNING

Failure to follow the instructions could cause **FIRE, CARBON MONOXIDE POISONING, OR DEATH**. If you are unsure of installation requirements, call the Phone Number listed on the instructions or visit www.selkirkcorp.com

Table 1 - Contents of Insert Kits

Part Number	Description
DT-IK33	DV Insert Liner Kit (3"/3") Includes: 2 - 3" x 35' aluminum flex lengths, 1 - Colinear Cap 3"/3", 1 - Hardware pack, 1 - Installation Instructions.
DT-IK43	DV Insert Liner Kit (4"/3") Includes: 1 - 4" x 35' aluminum flex length, 1 - 3" x 35' aluminum flex length, 1 - Colinear Cap 4"/3", 1 - Hardware pack, 1 - Installation instructions.
Optional Components (Not Included in Insert Kits)	
AF*-FC FX*-PD 4DT-CFC 4DT-AAC	Flex Coupler Pull-Down (rope not included) Colinear Flex Connector Colinear Appliance Adapter

Before the installation of the liners, it is recommended that the chimney be cleaned by a certified chimney sweep.

Since chimneys are usually very sooty and dusty, it is advisable to remove or cover your furniture, rugs etc. for the duration of the cleaning and installation of the liner.

Masonry chimneys may take various contours which the flexible liner will accommodate. However, keep the flexible liner as straight as possible, avoid unnecessary bending. Due to possible snagging, which may result in some surface damage, caution must be observed when lowering liner lengths into the masonry flue.

PLANNING YOUR INSTALLATION

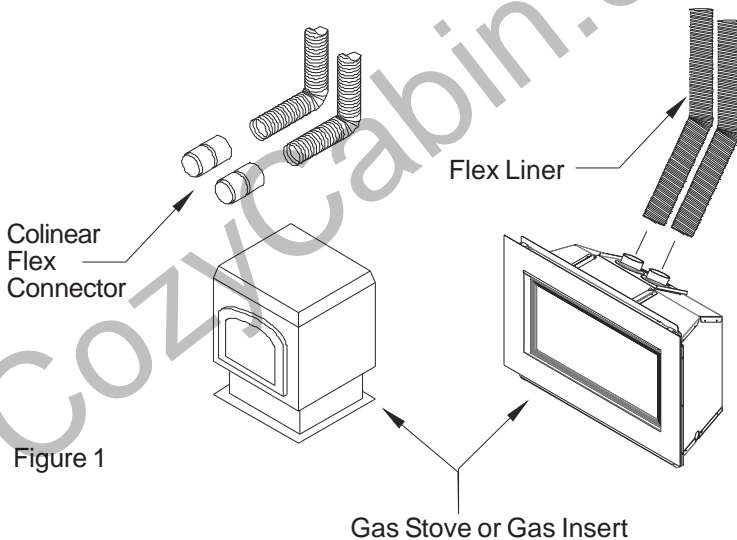
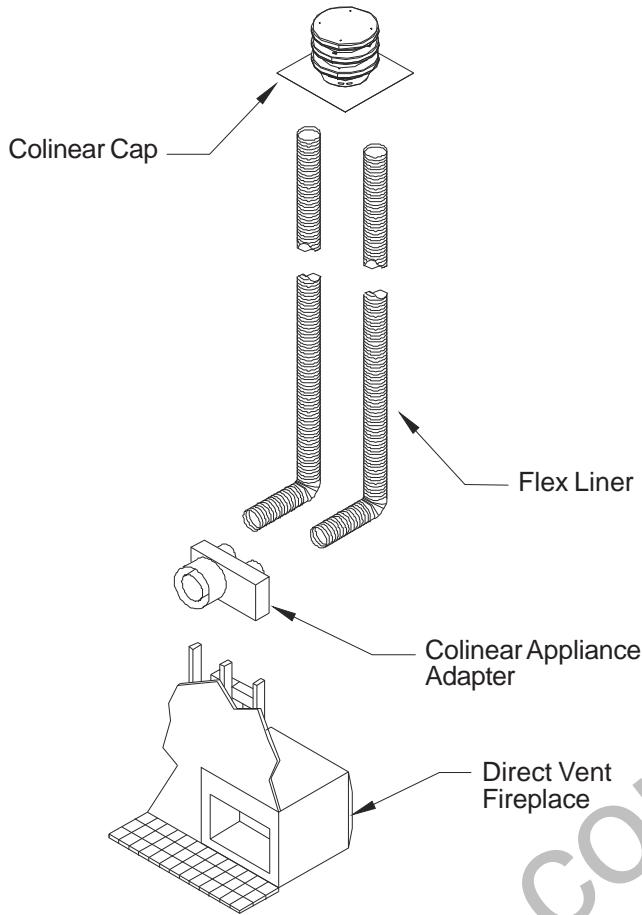
The DIRECT-TEMP Flex Insert Kit was designed to be installed in an existing masonry or factory-built chimney, and connected to either a gas stove, gas insert or other appropriate direct vent gas appliance, (see Figure 1).

It is important to carefully measure the length of flex needed to reach from the appliance outlet to the Colinear Cap.

Direct-Temp - DV Insert Liner Kit - Colinear

If the flex length is too short, a flex coupler will be needed to attach an additional length of flex liner. On the exhaust side, high temperature silicone needs to be applied.

If the flex length is too long, the liner could sag below the appliance outlet which could result in a potential fire hazard.



Masonry Chimney Installation:

1. Measure the distance between the top of the masonry chimney and the gas appliance, allowing for any required bends.
2. Select the lengths necessary to accommodate the required distance determined above. Stretch the flexible liners to the desired lengths (requires 2 people) by placing both hands around the circumference of the ends of the liners and gently pulling. If any flexible liners requires cutting, use a sharp fine-toothed hacksaw.

Installation Instructions

3. If the flex liners are unidentified, mark each liner at the top and bottom as either exhaust or intake to prevent confusion later.
4. Insert a rope through the end of the Pull-Down and tie a knot at the end of the rope. Attach the Pull-Down to the Flex Liner using four sheet metal screws as shown (Figure 2). Carefully feed the liner down the chimney (Figure 3) one at a time (masonry or zero clearance) and out through the damper. Be careful when passing through the damper not to damage the flex liner. One person should feed the liner through the chimney, and another person should pull the liner from the bottom, using the rope to guide the liner through to the chimney bottom. **Note:** If additional lengths of Flex Liner are needed to span the chimney height, use a Flex Coupler to connect the pieces of Flex Liner together. Connect the flex to the coupler by using four sheet metal screws for each side (see Figure 4). Apply high temperature sealant for the flex liner used for the exhaust.

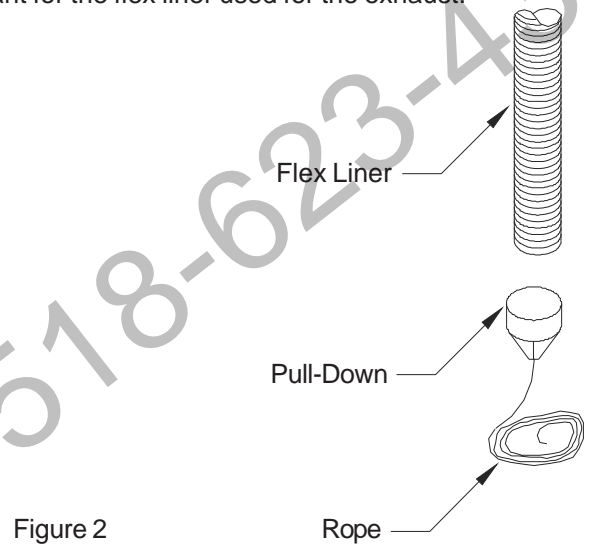


Figure 2

5. After carefully feeding the Flex Liner down the chimney to the bottom, form an angle to line up the Flex Liner with the vent opening on the appliance. Important: Do not let the Flex Liner sag

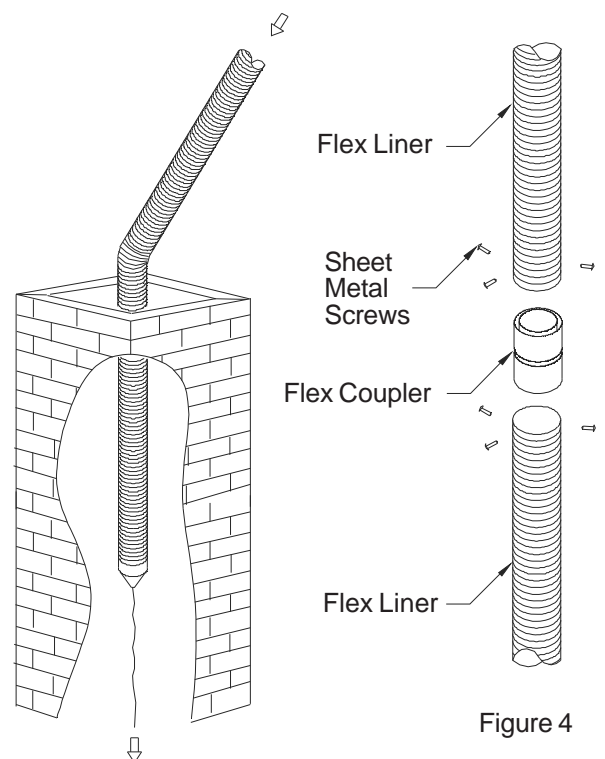


Figure 3

Figure 4

Direct-Temp - DV Insert Liner Kit - Colinear

below the level at which it will connect to the appliance or connector. This could allow hot gas to become trapped and potentially become a fire hazard. The Flex Liner path should always be sloped up toward the Colinear Cap.

6. Remove the Flex Puller from the Flex Liner and temporarily secure the Flex Liner at the top of the chimney. Be sure to leave 2-3 inches of flex above the existing chimney to allow for connection to the Colinear Cap (see Figure 5).

7. Repeat the above steps for the second length of flex.

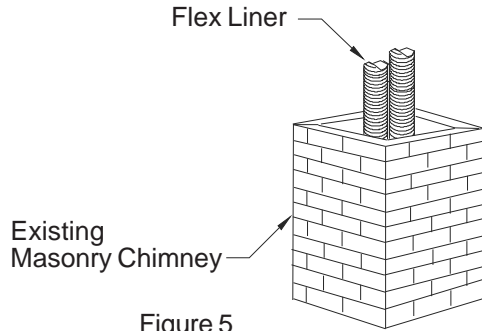


Figure 5

8. Prepare the baseplate of the Colinear Cap. If it is larger than the top of the chimney, cut and fold as needed for a perfect fit. Do not seal in place at this time.

9. Attach the flex liner ends at the top of the chimney to the Colinear Cap. Apply high temperature silicone to the exhaust liner prior to connecting to the Cap. Secure each length of flex liner to the Colinear Cap with 3 sheet metal screws per length (Figure 6).

10. Apply a bead of silicone sealant to the top of the masonry chimney prior to securing the baseplate of the Colinear Cap to the masonry chimney. Secure Colinear Cap to masonry chimney with suitable fasteners (one at each corner) and cover the heads with silicone sealant (Figures 6 & 7).

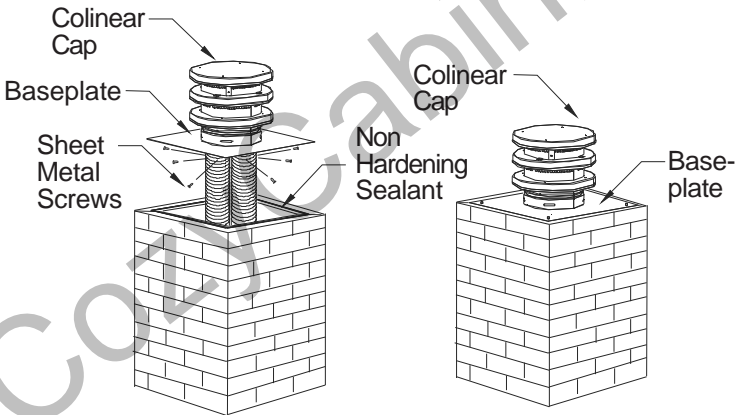


Figure 6

Figure 7

Installation Instructions

11. Depending upon the type of connection that your appliance has, it will require either the Colinear Flex Connectors or a Colinear Appliance Adapter or the flex directly to the appliance, in order to attach the Flex Liners to the appliance. For the Colinear connection, attach the Colinear Flex Connectors to the two outlets on the back of the appliance. See the appliance manufacturer's instructions for details. Connect the two Flex Liner runs to the Connectors using four sheet metal screws each. For the Co-Axial connection, install the Colinear Appliance Adapter to the adaptor on the appliance. Attach the Flex Liners to the Appliance Adapter using four sheet metal screws each. (Figure 8) In either case, make sure the Flex Liners do not sag behind the appliance. Finally, move the appliance into its appropriate place.

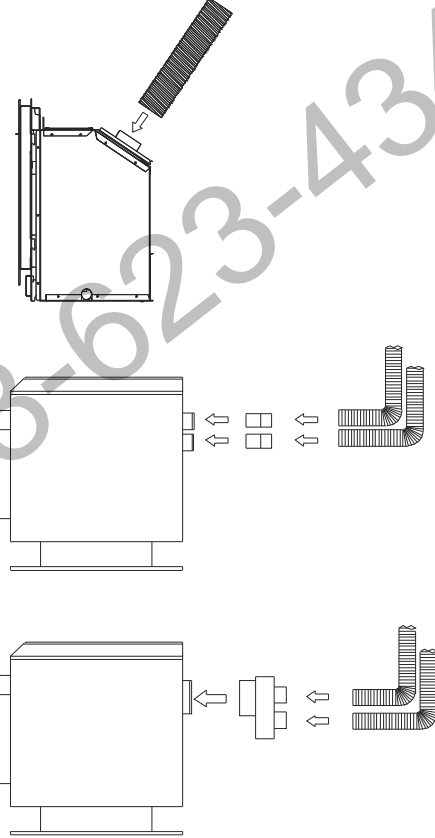


Figure 8

GENERAL MAINTENANCE

Conduct an inspection of the venting system semiannually.

Recommended areas to inspect are as follows:

1. Check areas of the Venting System which are exposed to the elements for corrosion. These will appear as rust spots or streaks, and in extreme cases, holes. These components should immediately be replaced.
2. Remove the cap and remove any bird nests, or other foreign material.
3. Check for evidences of excessive condensate, such as water droplets forming in the liners, and subsequently dripping out at joints. Continuous condensate can cause corrosion of caps, liners, and fittings. It may be caused by having exterior portions of the system being exposed to cold weather.

Selkirk Corporation

5030 Corporate Exchange Blvd. SE
Grand Rapids, MI 49512
Toll Free: 1.800.VENT (8368)
info@selkirkcorp.com



www.selkirkcorp.com

Selkirk Canada Corporation

950 South Service Road, Second Floor
Stoney Creek, ON L8E 6A2
Toll Free: 1.888.SELKIRK (735.5475)
cscanada@selkirkcorp.com