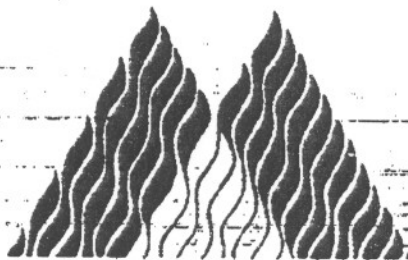


*Drawn
731-
885-3630*

Return to Sales Order Desk

INSTALLING YOUR MARCO WOOD-BURNING FIREPLACE



MARCO

MODEL	
DF 41	Zero Clearance

*pipe diameter
outside*
8" = 13 1/2"
10" = 15 1/2"

*22" depth
25" across back*

CHECK LOCAL CODES PRIOR TO INSTALLATION

35" front

This manual provides all the instructions necessary for the builder or home owner to install the Model DF 41 Marco Zero-Clearance Fireplace safely and efficiently. It also provides information on how to order and install repair parts when needed.

S.B. CC

MARCO
Mfg., Inc. 2520 Industry Way, Lynwood, Ca. 90262(213) 564-3201

The symbol on the product's nameplate means it is listed by UNDERWRITERS' LABORATORIES, INC.



Marmock-Hersey International Inc.
REPORT NO. 3244



ICBO 2578
BOCA NO. 77-60
SBCC REPORT NO. 7539-76

GENERAL

Remove all parts and check to be sure that your unit is complete and undamaged.

One Carton Containing

Completely Assembled Fireplace

AND

Any other cartons you have ordered to complete your chimney installation.

NOTE: To identify pieces, refer to Parts Illustration on page 10.

Local Codes

Local building codes should be consulted in all cases as to the particular requirements concerned with the installation of factory built fireplaces.

Important—Grounding

Although grounding may not be required by code, it is recommended by the manufacturer if you live in an area of high risk due to electrical storms. See your local building department for proper grounding procedure.

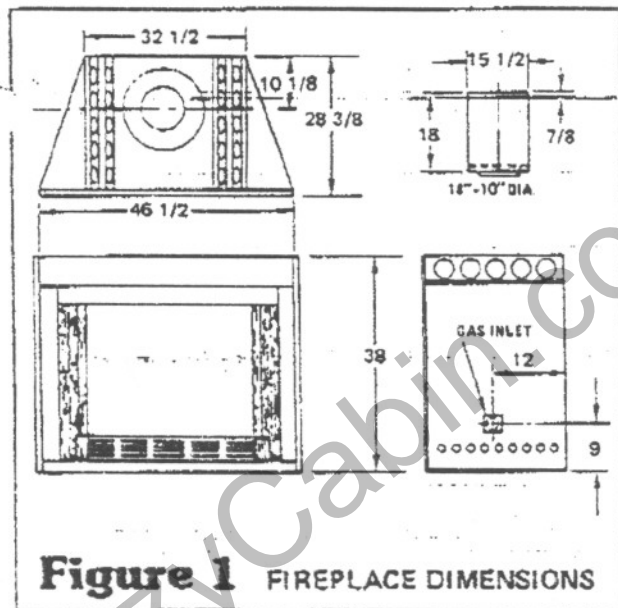


Figure 1 FIREPLACE DIMENSIONS

Installing Gas Line

IMPORTANT: Install gas line before finishing fireplace.

If desired, a gas log lighter (or gas log set) may be installed. Use only iron pipe, 1/2" size, and appropriate iron fittings.

When installing a gas line, a valve designed for installation outside the fireplace is recommended. (Figure 2).

Gas line enters fireplace from either side. Refer to Figure 1 for entrance hole location.

You first remove cover from outside of firebox casing with screwdriver. Take insulation out of gas line conduit and save for reuse. On the side wall inside of firebox mark a spot 2 1/2 inches from floor and 7 1/2 inches from back. Using a heavy punch strike spot with hammer and drive knock out plug through to the outside.

Run gas line to just outside entrance hole of fireplace. Install a 7" (minimum) nipple to reach inside of fireplace. Repack insulation in tube around nipple. Finish installation by either capping gas line or attaching gas log or lighter.

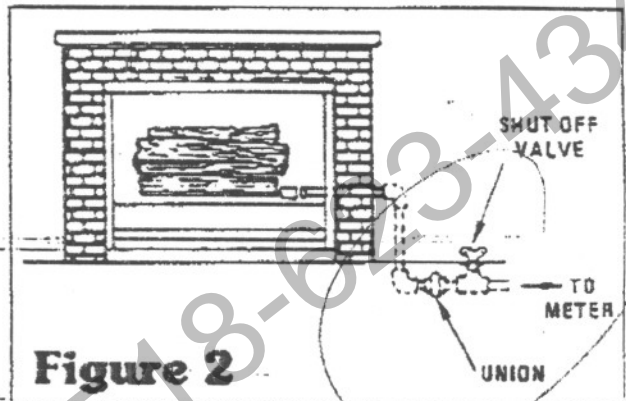


Figure 2

TEST FOR GAS LEAKS

All gas piping and connections must be tested for leaks after the installation is completed.

Be sure the unit is turned off.

Apply soap suds solution to all connections and joints and if bubbles appear, leaks can be detected and corrected.

Do not use a match or open flame of any kind to test for leaks.

Never operate any appliance with leaky connections.

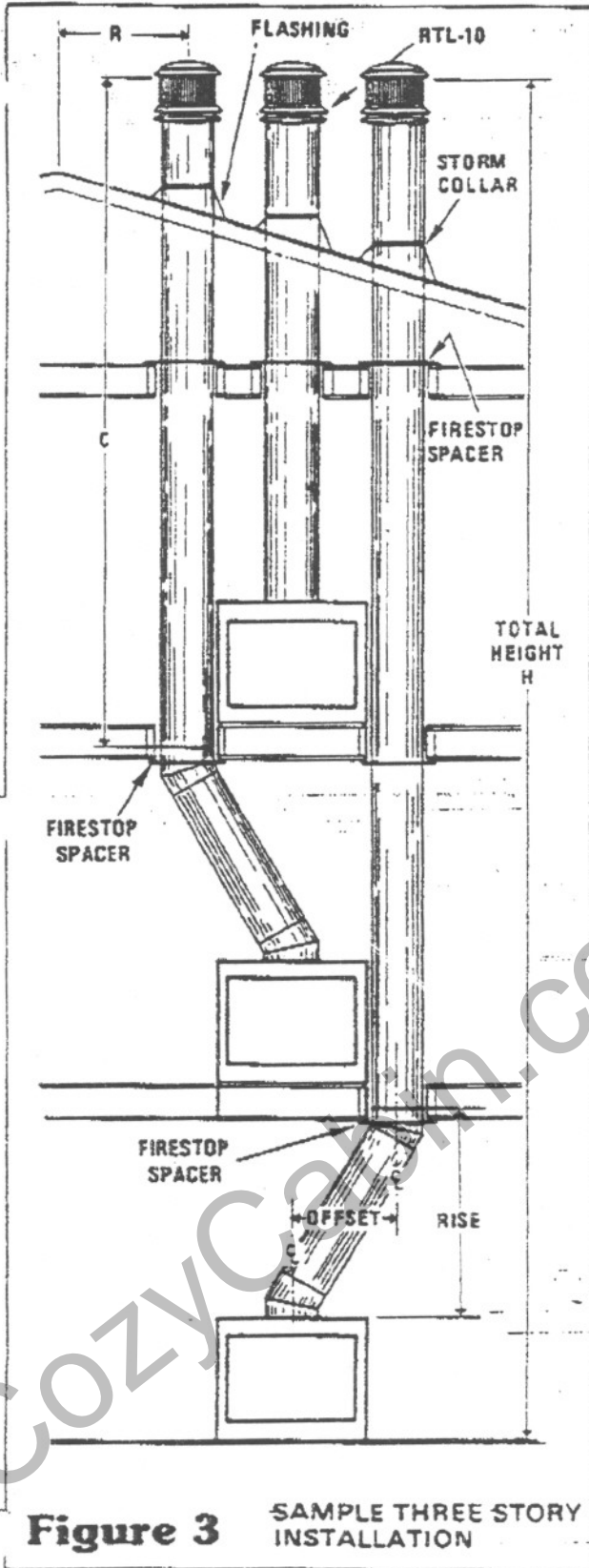
NOTE: if gas logs are to be used, damper MUST be locked open.

Important Charcoal Fires

A charcoal fire may be built in the grate or fire basket, with the damper in the full open position to allow smoke and fumes to escape. Build fire by using paper, kindling or other conventional charcoal lighting means. CHARCOAL REQUIRES A CONSTANT SUPPLY OF FRESH AIR. Leave an outside door or window into the room partially open. BE SURE ALL ASHES ARE COLD BY FEELING THEM BEFORE CLOSING DAMPER OR WINDOW.

CAUTION: Use of an exhaust fan may cause the fireplace to smoke or vent poorly. Always provide a source of fresh air for combustion into the room where the fireplace is installed.

YOUR FIREPLACE SYSTEM



HOW TO ORDER.

1. FIGURE TOTAL HEIGHT IN INCHES (DIMENSION H)
If hearth is used subtract hearth ht. from Dim. H
 2. HEIGHT OF FIREPLACE 38
 3. RISE OF ELBOWS INCLUDING PIPE
Use table of offsets (page 8).
 4. HEIGHT OF TERMINATION CAP 12" to 22"
 5. TOTAL OF LINES 2 THROUGH 4
 6. SUBTRACT LINES 5 FROM LINE 1
 7. LINE 6 IS DIMENSION C, THE LENGTH OF PIPE NEEDED TO COMPLETE INSTALLATION. See chimney height chart.
- | QUANTITY | TOTAL INCHES |
|------------------------|--------------|
| 8. 18" PIECES OF PIPE | |
| 9. 24" PIECES OF PIPE | |
| 10. 36" PIECES OF PIPE | |
| 11. 48" PIECES OF PIPE | |
| 12. SUB TOTAL | |
13. TOTAL OF LINES 5 AND 12 SHOULD EQUAL LINE 1

CHIMNEY HEIGHT CHART (DIMENSION C).

MAXIMUM HEIGHT	MAXIMUM HEIGHT				MAXIMUM HEIGHT				
	18-10	24-10	36-10	48-10	18-10	24-10	36-10	48-10	
92	0	0	0	2	235	1	0	1	4
97	1	0	1	1	241	0	1	1	4
103	0	0	3	0	247	1	0	0	5
109	1	0	0	2	253	0	1	0	5
115	0	0	2	1	258	1	1	1	4
119	1	1	1	1	265	0	0	1	5
127	0	0	1	2	269	1	1	0	5
131	1	0	2	1	277	0	0	0	6
139	0	0	0	3	281	1	0	1	5
143	1	0	1	2	287	0	1	1	5
148	0	1	1	2	293	1	0	0	6
155	1	0	0	3	299	0	1	0	6
161	0	1	0	3	304	1	1	1	5
165	1	1	1	2	311	0	0	1	6
173	0	0	1	3	315	1	1	0	6
177	1	1	0	3	324	0	0	0	7
185	0	0	0	4	327	1	0	1	6
189	1	0	1	3	333	0	1	1	6
195	0	1	1	3	340	1	0	0	7
201	1	0	0	4	346	0	1	0	7
207	0	1	0	4	358	0	0	1	7
212	1	1	1	3	362	1	1	0	7
219	0	0	1	4	370	0	0	0	8
223	1	1	0	4	386	1	0	0	8
231	0	0	0	5	392	0	1	0	8

LINEAL GAIN CHART (REFER TO PAGE 8 FOR OFFSET CHART).

PART NO.	DESCRIPTION	LINEAL GAIN
DF41	Fireplace	38"
18-10	Triple Wall Pipe	15 1/4"
24-10	Triple Wall Pipe	22 1/4"
36-10	Triple Wall Pipe	34 1/4"
48-10	Triple Wall Pipe	46 1/4"
RTL 10	Round Top Assembly	12"-22"

SELECTING YOUR FIREPLACE LOCATION

972-267-1976

The safest and most efficient location for your fireplace should be determined by considering such factors as room traffic, location of doors and windows, and construction above and below the installation area. The fireplace may be installed in any location that is free of air conditioning ducts, electrical wiring, and plumbing, and provides the necessary clearances.

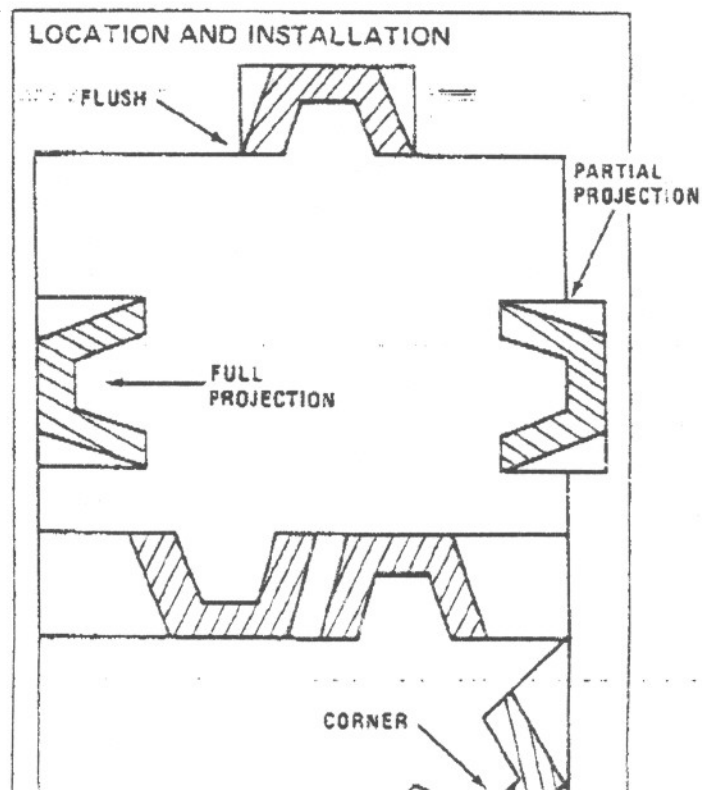
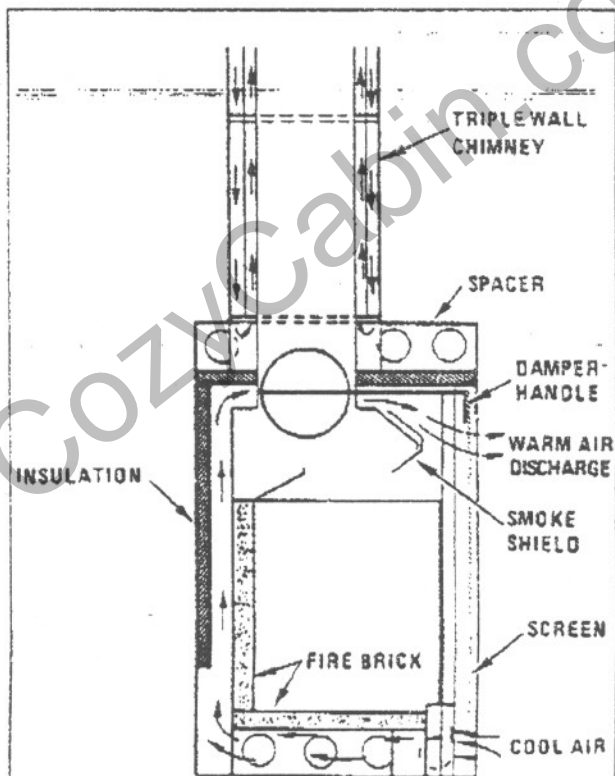
A location that requires cutting the least number of joists or rafters will simplify and reduce installation time. The fireplace may be installed directly on the floor or elevated on a wooden or masonry platform, if desired.

The fireplace may be positioned and then the framing built around it or the framing may be constructed and the fireplace placed into the opening. (See Figure 8). The dimensions shown on Page 6 may be used to construct the fireplace opening.

The fireplace may be installed so that face material is flush with, or projecting in front of, the finished wall. In flush installations, the fireplace is recessed back of the finished wall surface by the thickness of the face material. In projecting installations, the fireplace is flush with the finished wall at minimum and facing can project any distance into the room (Figure 5).

Corner Installation

This can be the most economical in rooms where space is at a premium. Because of the slanted sides, the fireplace takes less square feet of floor space than being projected into the room from a flat wall (See Figures 5 and 6).



FRAMING INSTRUCTIONS

Framework around the fireplace — flush or projected — can be designed to incorporate book shelves, wood bins, closets, etc. Any mantle must be at least 12 inches from the fireplace opening. Fireplace framing will be governed by the face materials used and by how far above and to each side they will extend.

When a fireplace is installed on a combustible floor, a noncombustible hearth must be built to protect the floor in front of the opening. (See Figure 7 for proper dimensions.)

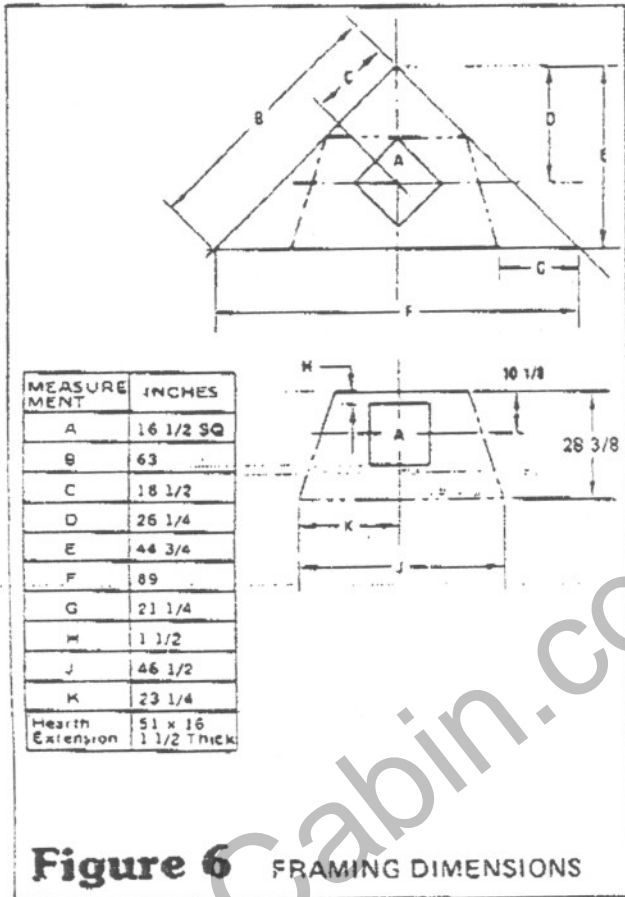


Figure 6 FRAMING DIMENSIONS

Materials used to construct hearth extension must be 1/2" thick asbestos millboard or equivalent.

Decorative materials covering the hearth extension must be totally of non-combustible materials such as brick, marble, slate or tile.

Clearances

When installed in accordance with these instructions, the basic unit may touch combustible materials at the bottom, sides and back of the unit. Chimney sections are approved for 1" clearance to combustible material which will automatically provide reduced clearance.

The fireplace must not be installed closer than 36" to any unprotected combustible wall, perpendicular to the fireplace opening (See Figure 7)

Floor which supports fireplace does not have to be reinforced unless the material used for facing is very heavy; (i.e., Fieldstone — large areas of brick, etc.)

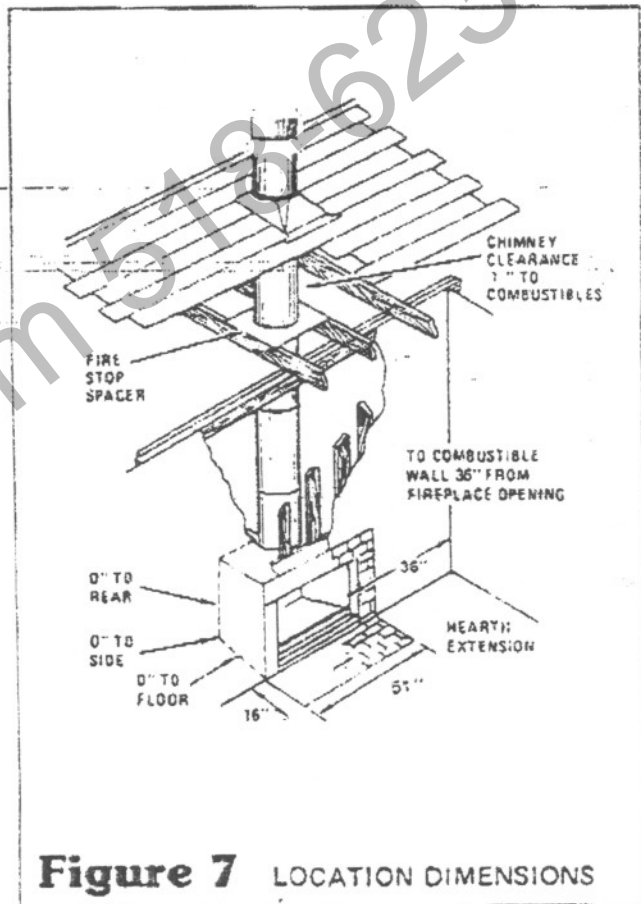


Figure 7 LOCATION DIMENSIONS

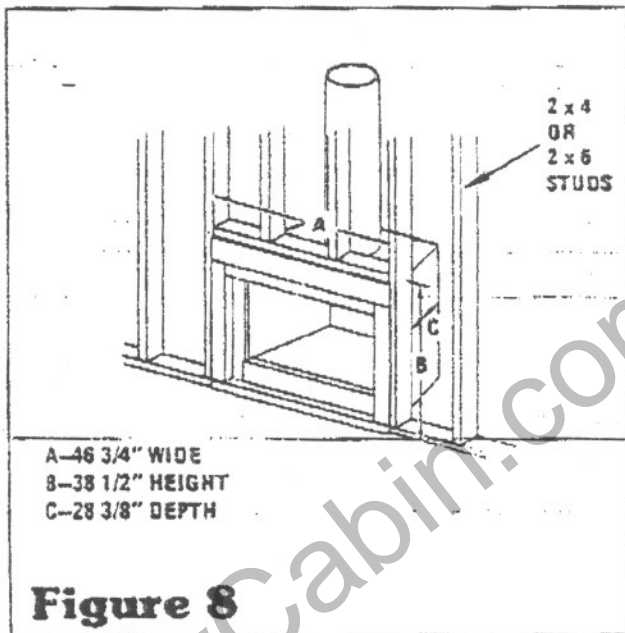
Minimum height of the chimney and fireplace may not be less than 14 feet to top of cap. The total height of the chimney section may not exceed 40 feet.

INSTALLING YOUR FIREPLACE

Only 12 easy-to-do steps are needed to install your fireplace and contemporary round chimney.

Step 1 Frame cavity (closet) or opening for fireplace at chosen location (Figure 8).

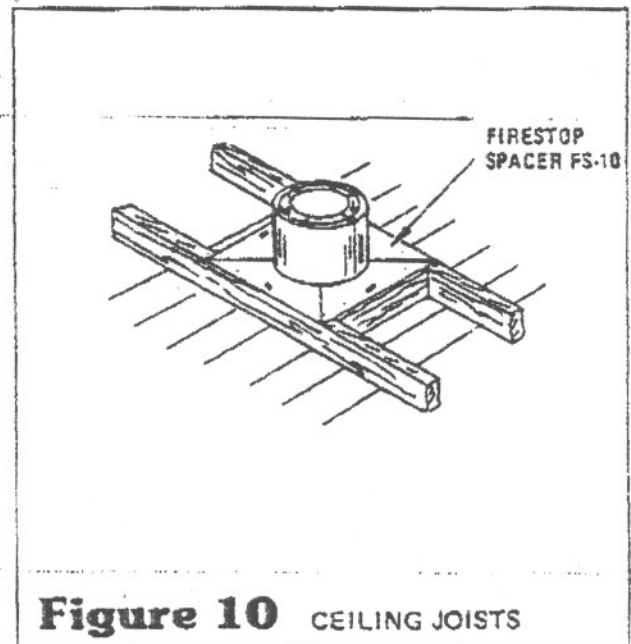
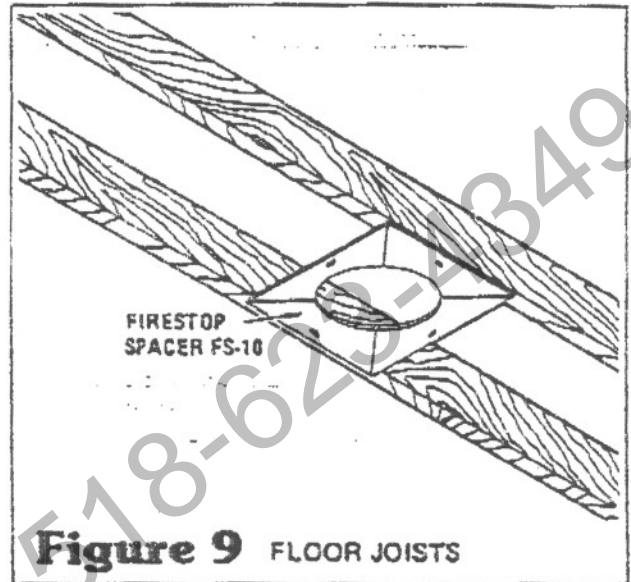
Step 2 Move fireplace into position. Place triple-wall thermal-siphoning pipe on collar and attach it with three screws provided.



Step 3 Add sections of triple-wall pipe as you frame, rotating each section until seams are aligned and key and notch are mated. Attach sections together with screws provided.

Step 4 Drill hole through ceiling directly above center of installed pipe. Lay out 16 1/2 inch-square opening on ceiling and cut out for flue exit and firestop spacer.

Step 5 If triple-wall pipe goes through framed opening in between floors, install firestop to stabilize chimney. You do this by sliding it down over the pipe section before placing pipe in position



Step 6 Find location of hole to be cut into roof, using plumb bob or tape measure, and cut out roof opening slightly larger than 17 1/2 inches. Save

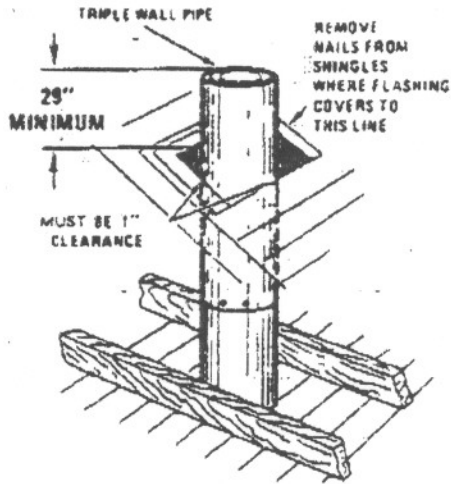


Figure 11

Step 8 Slide flashing under shingles into position and re-nail top and side shingles. DO NOT nail through lower flange of flashing. If desirable, cover sides and top of flashing with salvaged shingles (Figure 12).

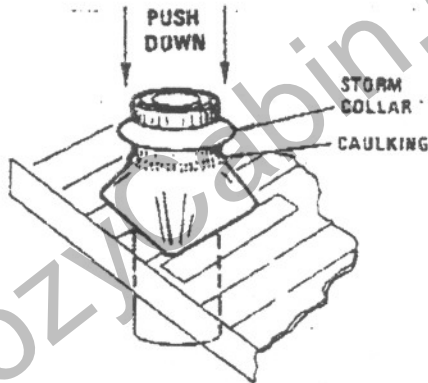


Figure 12

Step 9 Install storm collar on triple-wall pipe. Apply waterproof caulking around flashing where collar will be seated, and push storm collar down securely on sealer and flashing (Figure 12).

Step 10 Extend chimney by adding sec-

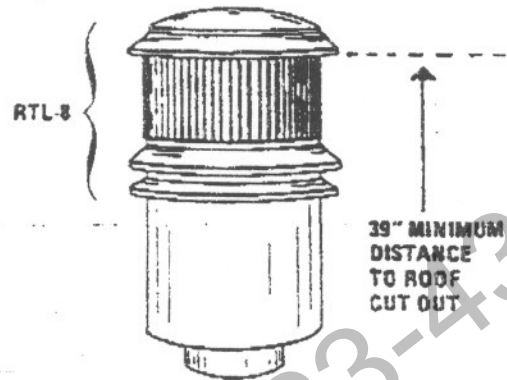


Figure 13

extend 39 inches above highest point where it passes through roof, and not less than 2 feet above highest point of roof within 10 feet horizontally (Figure 14).

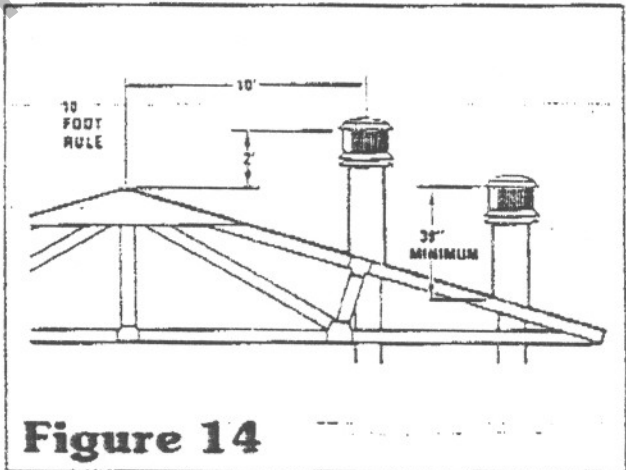
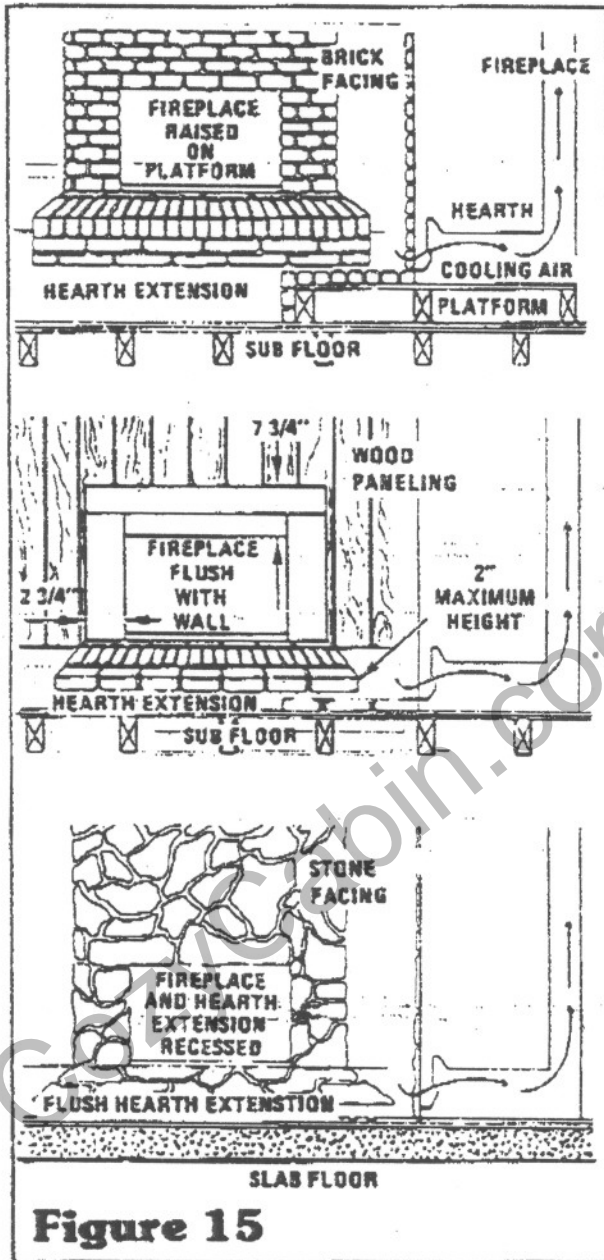


Figure 14

Step 11 Install round top by sliding adaptor brackets over outside wall of triple-wall pipe and rotating until holes are lined up. Attach with three screws provided. Install rain cap by lining up brackets with adaptor brackets and attaching with three screws provided. Install rain collar as shown in Figure 13 using four screws provided.

Step 12 Caulk seam notches on all joints

FINISHING YOUR FIREPLACE



An easy finish can be obtained by painting the metal frame of the fireplace opening to match the color scheme of the room. If a facing of tile, marble, or glass is desired, it can be attached to the metal frame with a suitable heat-resistant (high-temperature) adhesive. If brick is used as a facing, wall ties can be attached to the frame with sheet metal screws to secure the brick.

Noncombustible materials such as glass, marble, brick, tile, stone, etc., can be applied up to the opening of the fireplace. Combustible materials such as paneling may be used, observing the proper clearances (Figure 15). Combustible materials must not be closer than 2 $\frac{3}{4}$ inches to the side of the opening and 7 $\frac{3}{4}$ inches to the top of the opening.

Figure 15

KEEP YOUR FIREPLACE SAFE

INSTRUCTIONS OFFSET OF CHIMNEY IS NEEDED

Vertical Dimensions Two Elbows, with Triple Wall Pipe 10"

To Install Elbows

1. Place elbow (without straps) on verticle triple-wall pipe, pointed in the direction offset is required. Turn slightly until screw holes align and attach with three screws provided.
2. To achieve desired offset, you may install 18", 24", 36", or 48" lengths of triple-wall pipe between the elbows to a maximum length of 72 inches. (See Figure 16).

IMPORTANT: Chimney weight above offset rests on return elbow. Straps must be securely nailed to rafters or joists. Three 8-penny nails in each strap is recommended as shown. (See Figure 17.)

NUMBER AND LENGTH OF TRIPLE WALL PIPE				TWO 10" DIA. 30° ELBOWS		TWO 10" DIA. 15° ELBOWS	
18"	24"	36"	48"	OVERALL OFFSET "A"	OVERALL HEIGHT "B"	A	B
-	-	-	-	5	17	7	24
1	-	-	-	13	31	6	30
-	1	-	-	16	39	8	36
-	-	1	-	22	47	11	47
1	1	-	-	24	50	12	51
-	-	-	1	28	57	14	59
1	-	1	-	30	61	15	63
-	1	1	-	33	66	16	68
1	-	-	1	36	71	18	75
-	-	2	-	39	76	19	80

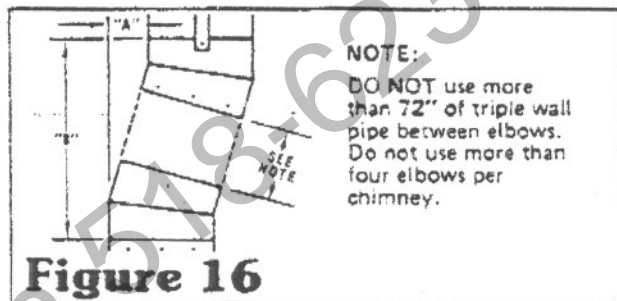


Figure 16

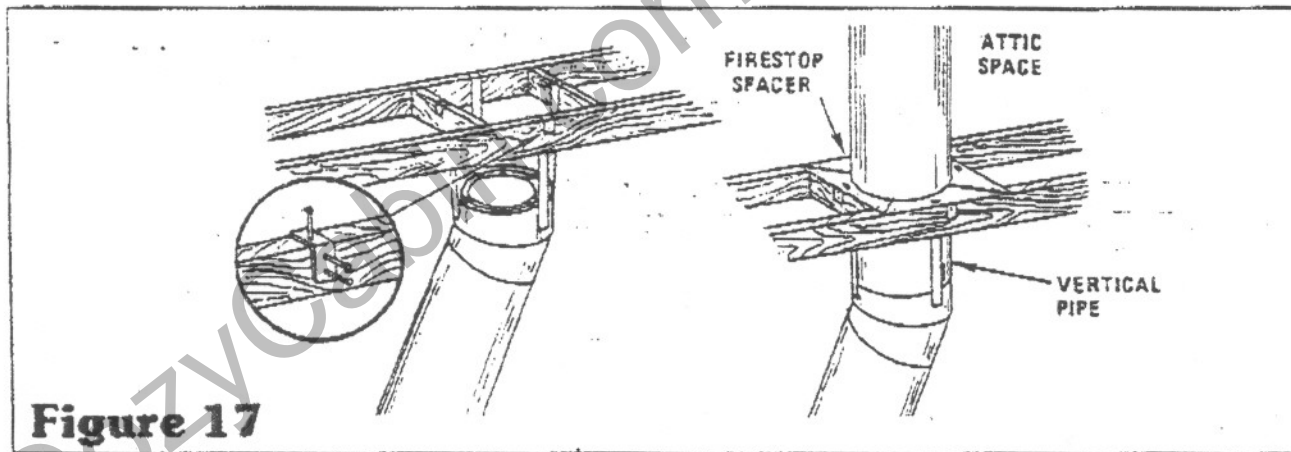


Figure 17

Fireplace Parts Replacement Procedure

To Remove Refractory

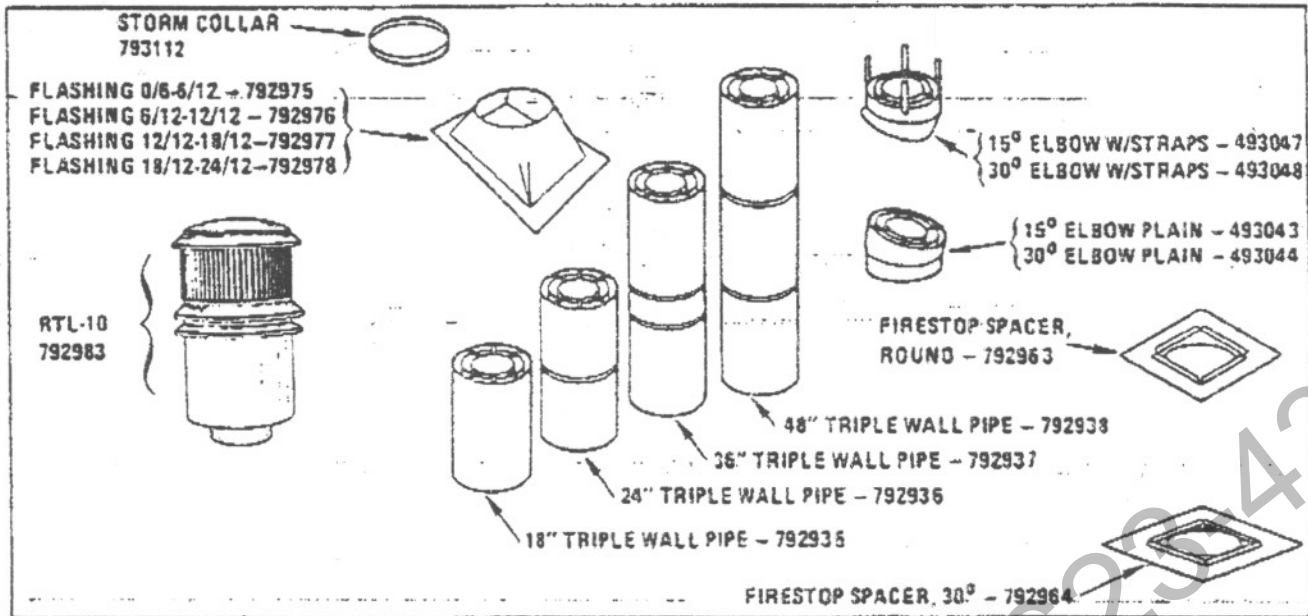
1. Remove Lower Grill and Refractory Retainers.
2. Remove Left and Right Refractory by moving front edge in.
3. Pull out Back and Bottom.
4. To replace, reverse procedure.
5. Be sure to give the Part Number, the Name of the Part and the Fireplace Model Number. The

SAVE THIS BOOK

This book is valuable. In addition to telling you how to install and maintain your fireplace and chimney, it also contains the information that will enable you to obtain repair parts when needed. Keep it with your other important papers.

REPAIR PARTS

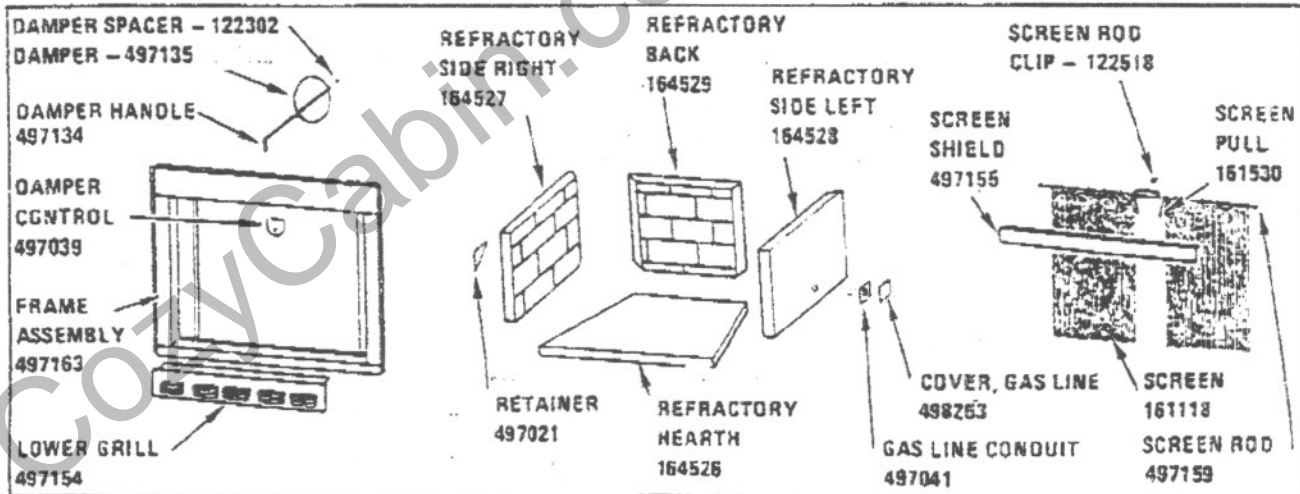
PREFABRICATED BUILT IN FIREPLACE WITH ALL FUEL CHIMNEY



PARTS REPLACEMENT

How to Order Repair Parts

1. Order repair parts from the Dealer through whom you purchased the chimney, if possible.
2. Parts orders must be made out in accordance with the Parts List and Parts Pictures.
3. Be sure to give the Part Number, the Name of the Part and the Fireplace Model Number. The Model Number is on the inside right hand side of the fireplace.
4. When remittances are sent with the order, include enough for transportation.
5. There is a minimum invoice charge of \$10.00 plus postage for each order. To avoid this charge the parts ordered should total that amount or more.
6. All parts prices are subject to change without notice.



SEE YOUR DEALER FOR MORE INFORMATION OR CONTACT



Marco Mfg., Inc. 2520 Industry Way, Lynwood, Ca. 90262 (213) 564-3201

8808-228-100