

INSTALLATION INSTRUCTIONS FOR INSTALLING A BAFFLE BOARD KIT FOR USE WITH ST210, SWS210 AND SS210 WOOD-BURNING APPLIANCES

KIT CONTENTS (see Figure 1)

Please ensure that all these parts are in the packaging.

- 2 ea. Baffle Blankets (1)
- 4 ea. Baffle Boards (2)
- 1 ea. Instruction Sheet

TOOLS NEEDED

None

GENERAL INFORMATION

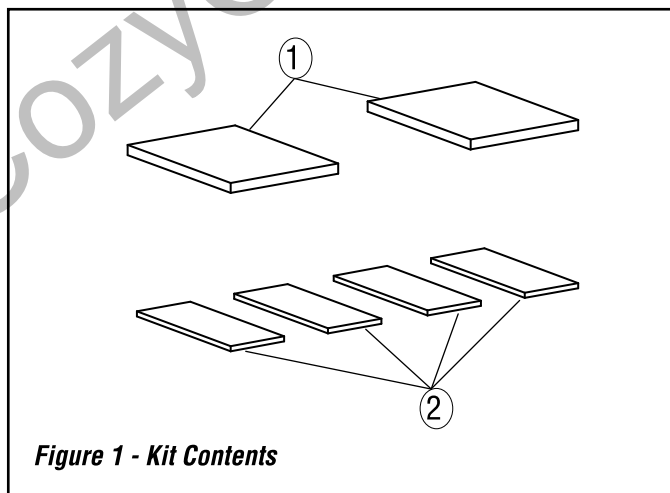
If you encounter any problems, need clarification of these instructions or are not qualified to properly install this kit, contact your local distributor or dealer.

Read this instruction sheet in its entirety before beginning the installation.

ALL WARNINGS AND PRECAUTIONS IN THE INSTALLATION AND OPERATION MANUAL PROVIDED WITH THE APPLIANCE APPLY TO THESE INSTRUCTIONS.

TURN OFF THE APPLIANCE AND ALLOW IT TO COMPLETELY COOL BEFORE PROCEEDING.

CAUTION: Wear gloves during installation in case of sharp edges inside the appliance.

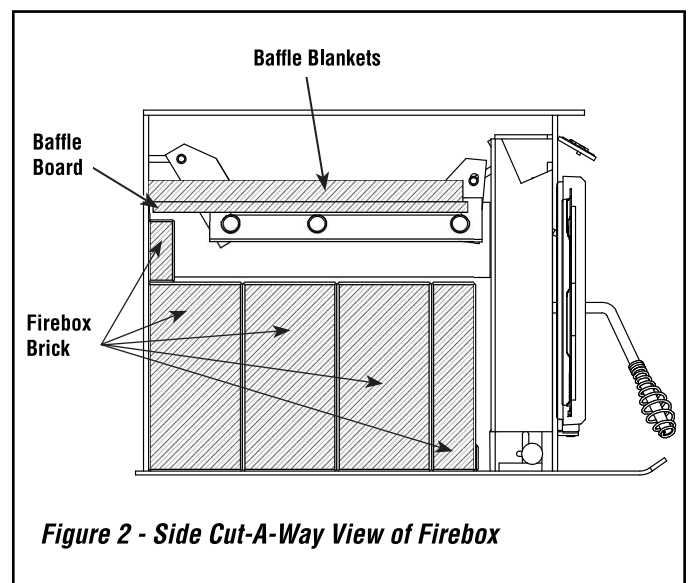


INSTALLATION INSTRUCTIONS

Step 1. Install baffle boards (see Figure 2) -

NOTE: Before installing your baffle boards make sure the stainless steel tube support and front and rear tube hangers are centered side to side and that the front and rear hangers are hooked onto the stainless steel pins protruding from the rear of the airwash and the stove back.

All 4 baffle boards included are the same size. You will start by installing the boards in the center part of the unit on top of the secondary tubes to each side of the baffle support with the 15" side of the baffle board going from the front to back of the unit. Once you have the first two boards installed slide the board to the left side of the baffle support all the way to the left and rear of the unit. You will slide the board to the right side of the secondary support to the right and rear of the unit. Next you will install the two remaining boards where you originally installed the first two boards on each side of the baffle support and pushed against the rear of the unit. The stainless steel support hanger should be centered left to right between the sets of baffle boards and placed as shown in **Figure 2**.

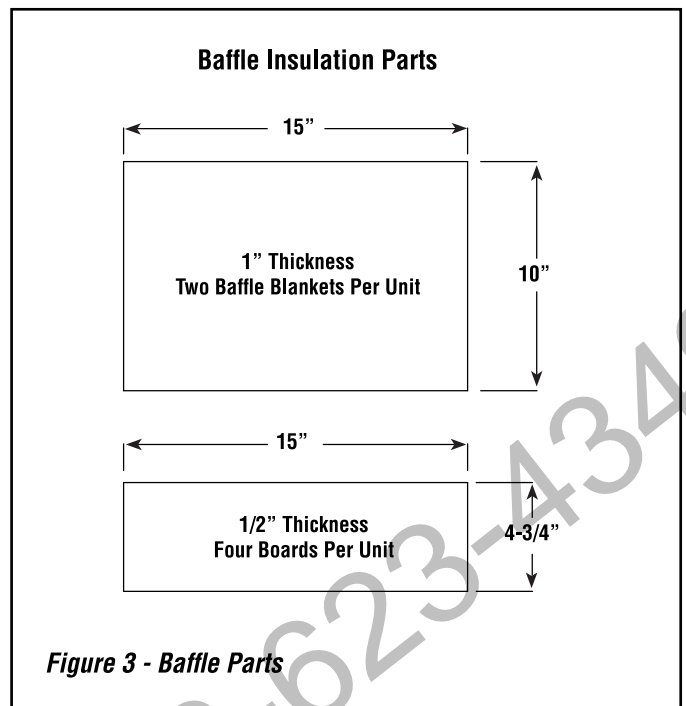


Step 2. Install baffle blankets (see Figures 2 and 3) -

NOTE: Be sure the baffle blanket is placed flat on the baffle boards so as not to block exhaust flow to the flue. Use a ruler or a piece of kindling to reach over the baffle blanket to be sure it is completely flat on top of the baffle boards.

CAUTION: Make sure the baffle blankets are down flat on the baffle boards, pulled together in the center so that no gaps exist between them and do not protrude beyond baffle boards. It is critical that baffle boards and baffle blankets are fully against the rear of the unit.

Install each blanket above the baffle board to each side of the secondary support with the 15" side of the blanket from front to rear of the unit. Make sure that the baffle blankets are to the full rear of the unit.



NOTE: DIAGRAMS AND ILLUSTRATIONS ARE NOT TO SCALE

IHP reserves the right to make changes at any time, without notice, in design, materials, specifications, prices and also to discontinue colors, styles and products. Consult your local distributor for fireplace code information.