



P/N 127127-01 Rev. B 04/2015

SQUARE TOP TERMINATIONS INSTALLATION INSTRUCTIONS

MODELS

ET-8HT	F0892
ETL-8HT	F0893
ET-8DM	F0920
ETL-8DM	F0921

ETO-8DM	F0922
ETLO-8DM	F0923
ETL-8DM-K	F0926

For more information, visit IHP.US.com

- Construct chase as illustrated in Figure 1.
Note: The shortest vertical side must be at least 30" high and the minimum inside dimension must be at least "Y" (as shown in Figure 1).
- Add pipe sections to chimney system as outlined in the fireplace installation instructions until the last piece of chimney is between 1" to 12" below top of chase (see Figure 2)
- Fabricate a flashing having an "X" (see figure 1) diameter hole centered over chimney end with a 2" collar around hole (see Figure 3). Attach noncombustible spacers at each corner and place flashing over chase.
- Secure flashing through sides with 8-penny nails or sheet rock screws.
- Place galvanized sleeve through hole in flashing and around last section of chimney (see figure 4).
- Place termination cap over opening. Slip the stainless steel inner pipe outside stainless steel chimney section. Lower termination assembly until cap rests evenly over flashing hole. Secure cap at each corner with sheet metal screws (see figure 5, page 2).

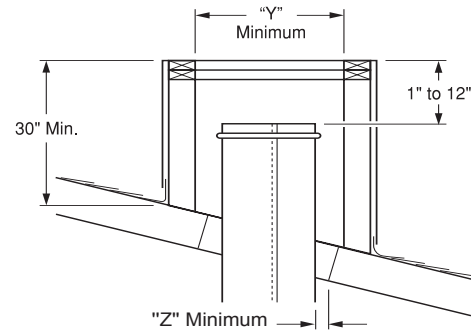


Figure 2 - Constructing Chase

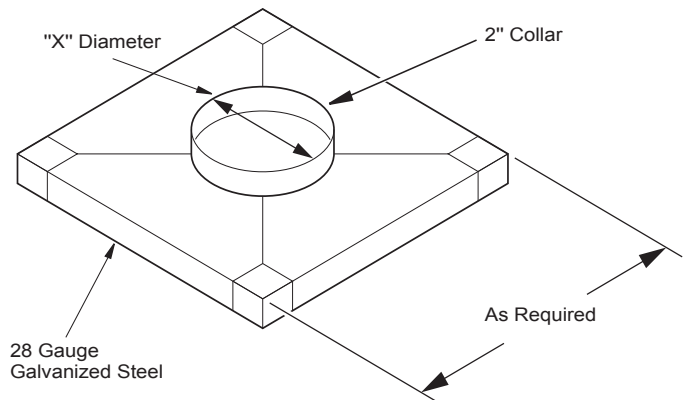


Figure 3 - Constructing Chase Top Flashing

FIREPLACE MODELS WITH A MINIMUM CHIMNEY PIPE CLEARANCE OF "Z" = 1"

Termination	X	Y
ET(ETO)-8DM	14"	14.5"
ETL(ETLO)-8DM	16"	16.5"

FIREPLACE MODELS WITH A MINIMUM CHIMNEY PIPE CLEARANCE OF "Z" = 2"

Termination	X	Y
ET(ETO)-8DM	14"	16.5"
ETL(ETLO)-8DM	16"	16.5"

Figure 1 - Dimension Charts

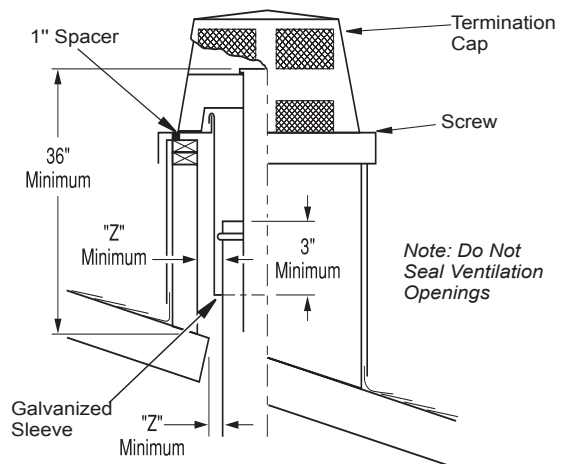


Figure 4 - Installing Termination Cap

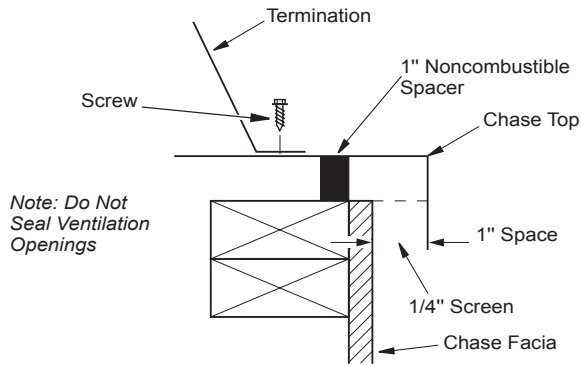


Figure 5 - Securing Termination to Chase Top Flashing with sheet metal screws

10' RULE

The chimney flue gas outlet of the termination must be a minimum distance of 3 feet above the highest point where the pipe penetrates the roof and must be a minimum distance of 2 feet above highest point of the roof within a horizontal distance of 10 feet (see Figure 6).

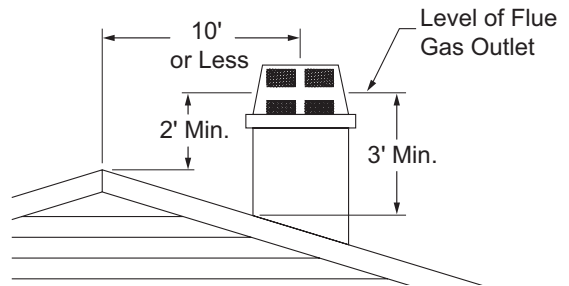


Figure 6 - 10' Rule

Note: Refer to owner's manual for minimum clearances specified for your model.

Innovative Hearth Products reserves the right to make changes at any time, without notice, in design, materials, specifications, prices and also to discontinue colors, styles and products. Consult your local distributor for fireplace code information.

